



US00D895545S

(12) **United States Design Patent**
Singer et al.

(10) **Patent No.:** **US D895,545 S**

(45) **Date of Patent:** **** Sep. 8, 2020**

(54) **LASER TAG CHARGING STATION**

(71) Applicant: **Champion Games LLC**, Brooklyn, NY (US)

(72) Inventors: **Aryeh Singer**, Brooklyn, NY (US);
Joseph Oberlander, Brooklyn, NY (US)

(**) Term: **15 Years**

(21) Appl. No.: **29/733,922**

(22) Filed: **May 7, 2020**

(51) **LOC (12) Cl.** **13-02**

(52) **U.S. Cl.**
USPC **D13/108**

(58) **Field of Classification Search**
USPC D13/107-110, 118-119, 184; D14/251, D14/253, 432, 434
CPC Y02E 60/12; Y02T 90/14; Y02T 90/122; Y02T 90/128; Y02T 90/163; H02J 7/025; H02J 7/0042; H02J 7/0044; H02J 7/0045; H02J 7/0013; H02J 7/0003; H01F 38/14; H01R 13/6675; H01M 2/1022; H01M 2/1055; H01M 10/44; H01M 10/46; H01M 10/425; B60L 11/182
See application file for complete search history.

(56) **References Cited**

U.S. PATENT DOCUMENTS

D278,426 S	4/1985	Lanci et al.	
D322,060 S *	12/1991	Iino	D13/107
D476,659 S *	7/2003	Ying	D14/434
D526,995 S *	8/2006	Claxton	D13/108
D530,667 S *	10/2006	Viduya	D13/107
D551,163 S *	9/2007	Hamasaki	D13/107

D588,536 S *	3/2009	Wahl	D13/108
D597,940 S *	8/2009	Navid	D13/108
D609,637 S *	2/2010	Chu	D13/108
D680,066 S *	4/2013	Kinoshita	D13/107
D710,798 S *	8/2014	Awiszus	D13/107
D712,828 S *	9/2014	Delrue	D13/108
D755,122 S *	5/2016	Gecawicz	D13/107
D820,783 S	6/2018	Gelder	
D833,451 S *	11/2018	Paolizzi	D14/453
D850,369 S	6/2019	Wang	

* cited by examiner

Primary Examiner — Nathaniel D. Buckner

(74) *Attorney, Agent, or Firm* — Bochner IP; Andrew D. Bochner

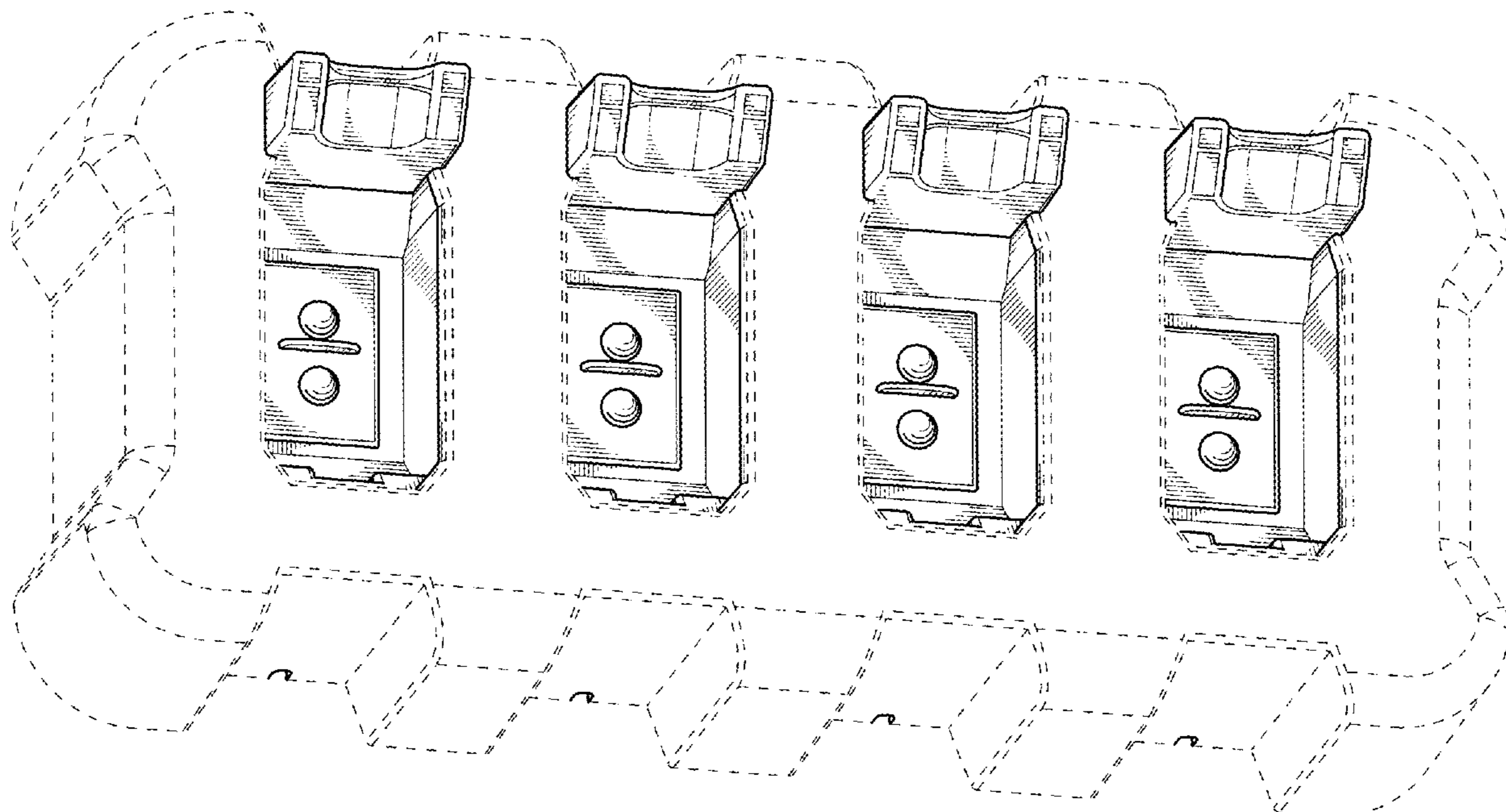
(57) **CLAIM**

The ornamental design for a laser tag charging station, as shown and described.

DESCRIPTION

FIG. 1 is a top, front, right side perspective view of the laser tag charging station;
 FIG. 2 is a front elevation view thereof;
 FIG. 3 is a rear elevation view thereof;
 FIG. 4 is a left side elevation view thereof;
 FIG. 5 is a right side elevation view thereof;
 FIG. 6 is a top plan view thereof;
 FIG. 7 is a bottom plan view thereof;
 FIG. 8 is a cross section view thereof, taken along line 8-8 of FIG. 2;
 FIG. 9 is a cross section view thereof, taken along line 9-9 of FIG. 2; and,
 FIG. 10 is a bottom, front, left side perspective view thereof.
 The broken lines in the figures depict portions of the article which form no part of the claimed design.

1 Claim, 5 Drawing Sheets



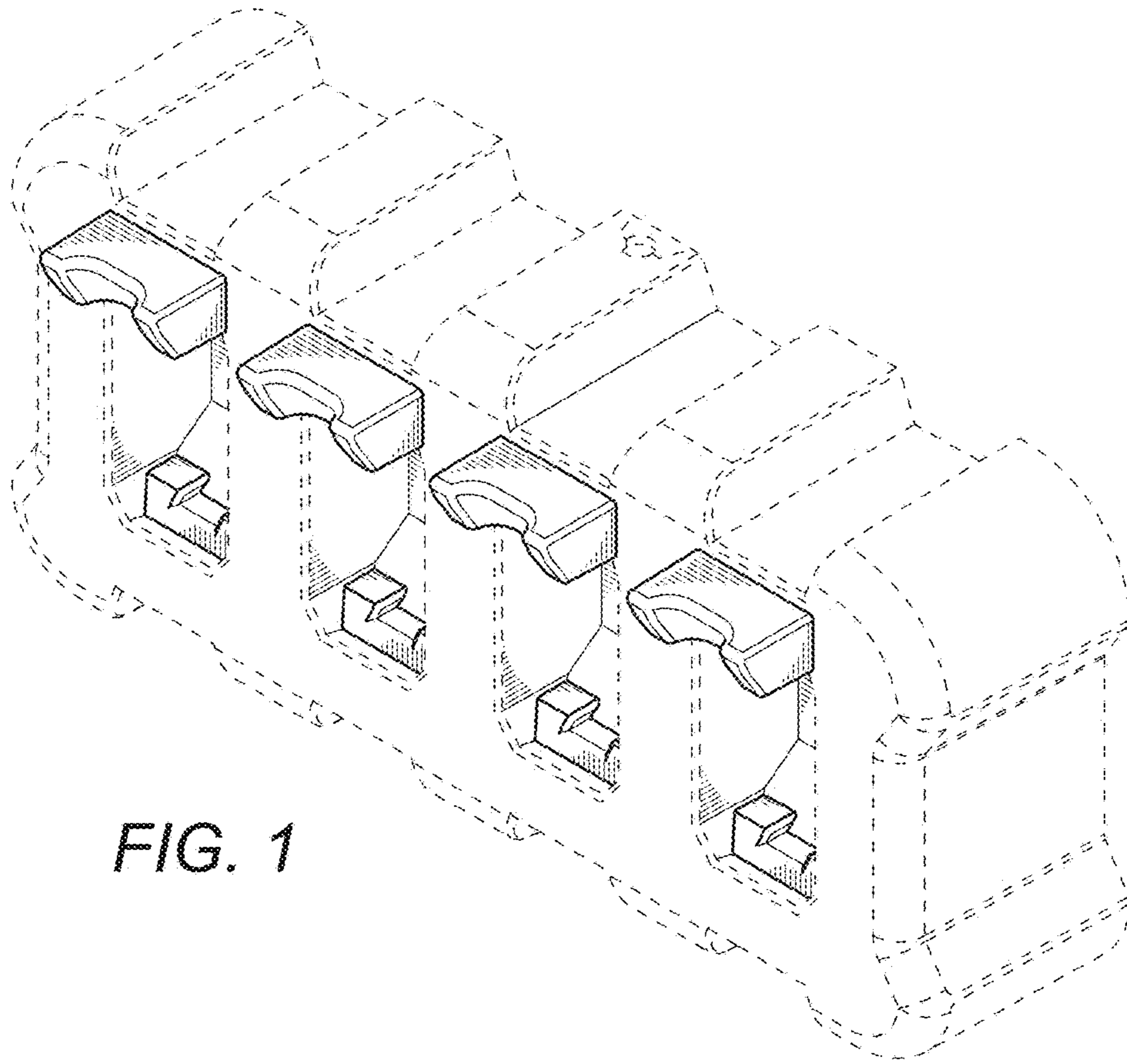


FIG. 1

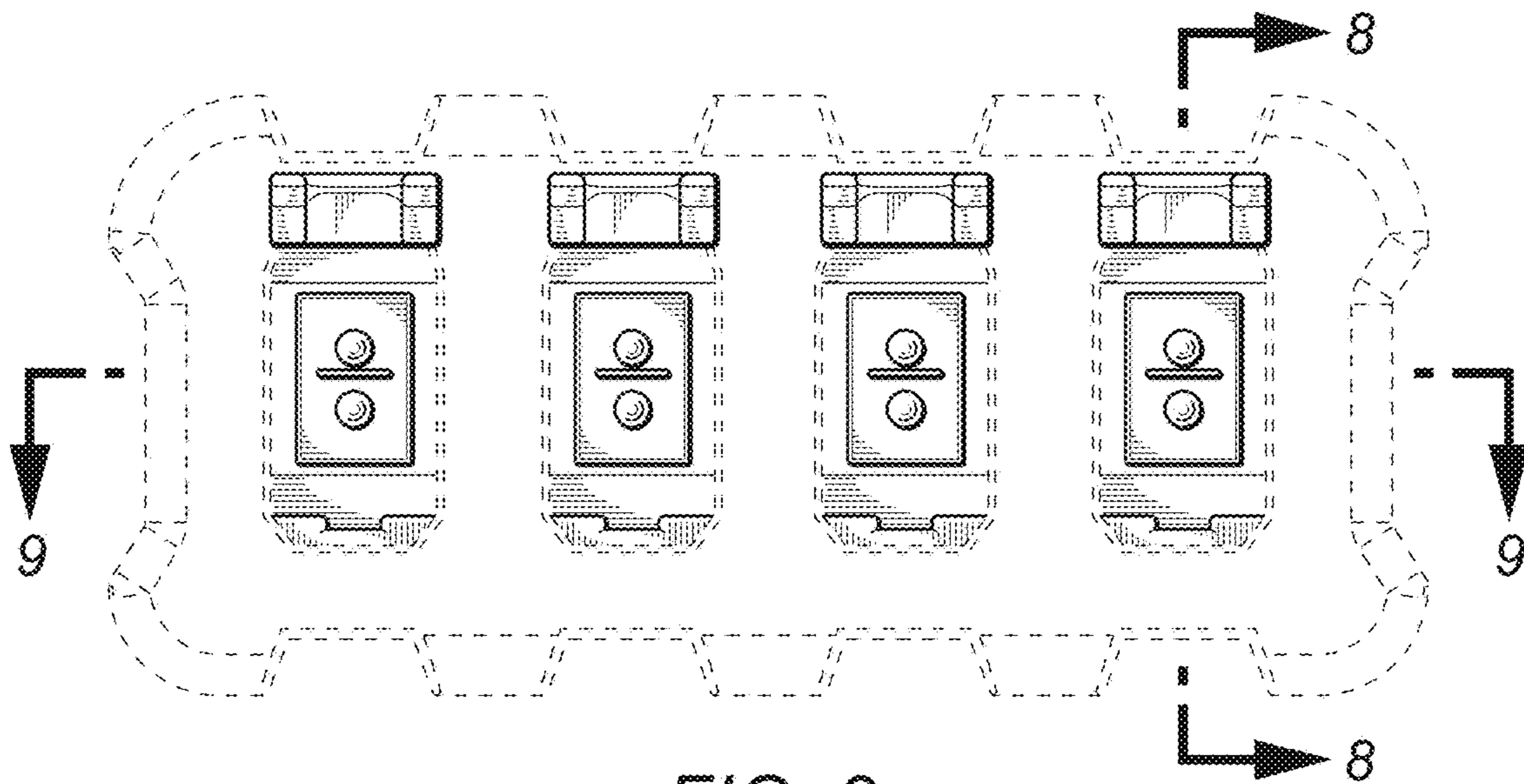


FIG. 2

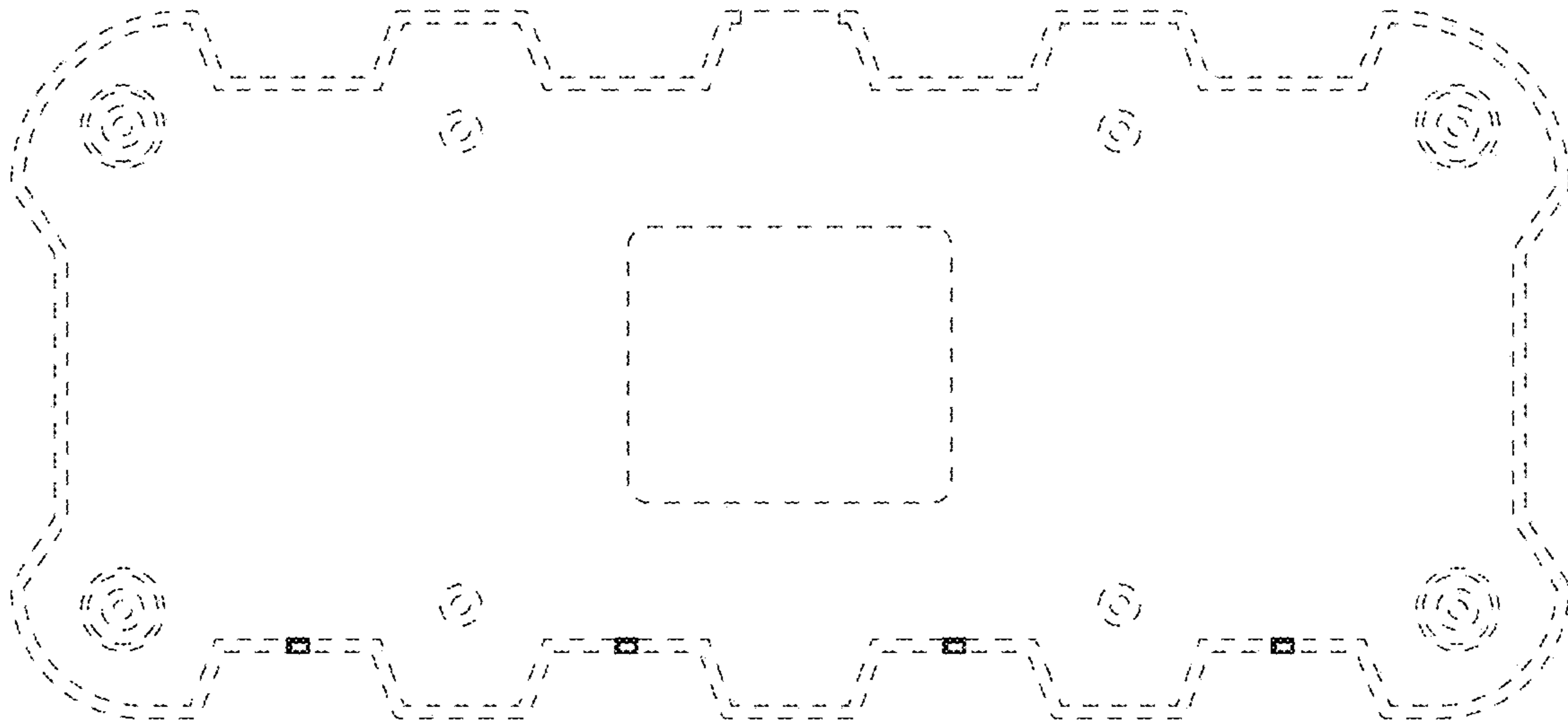


FIG. 3

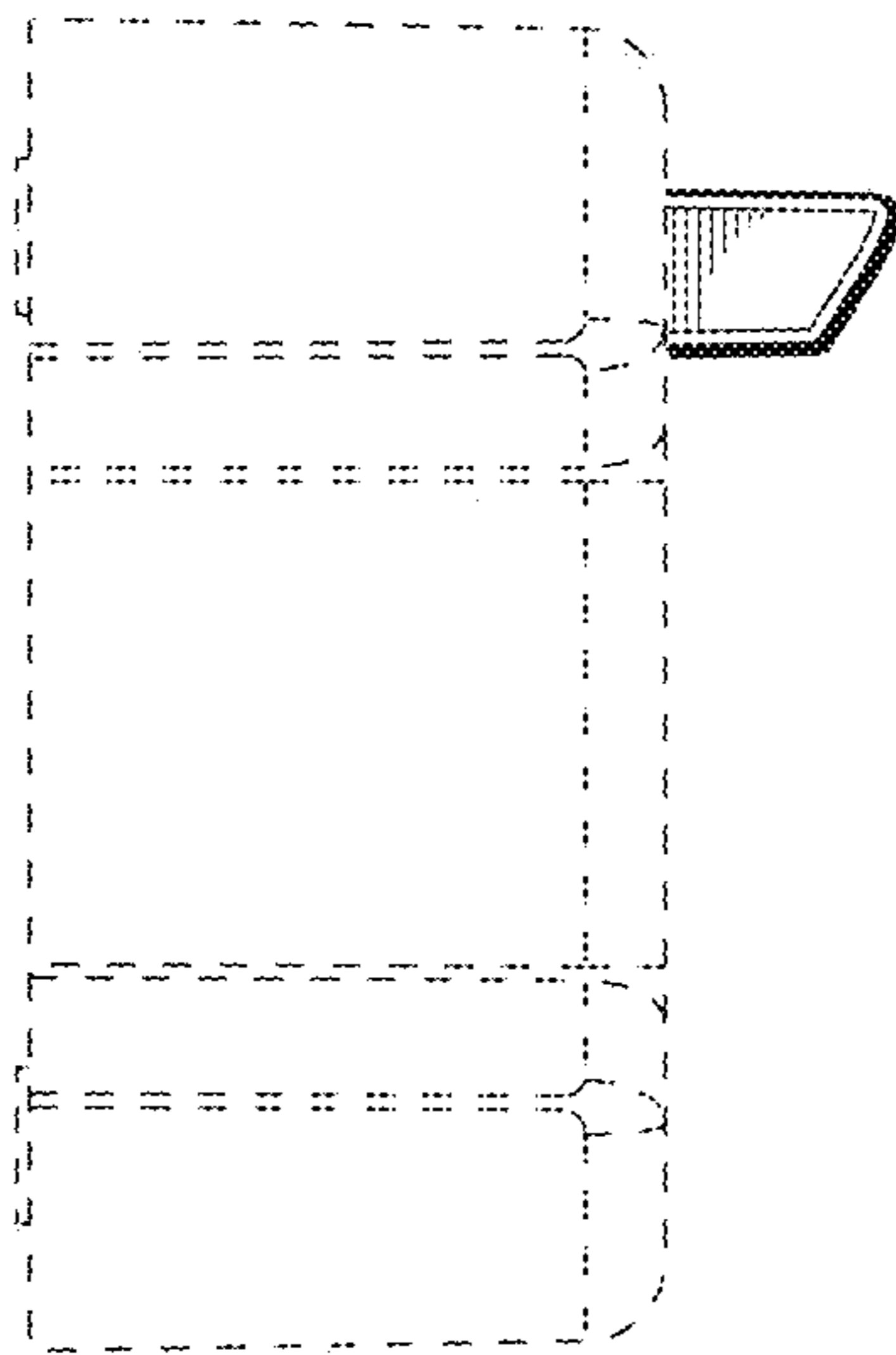


FIG. 4

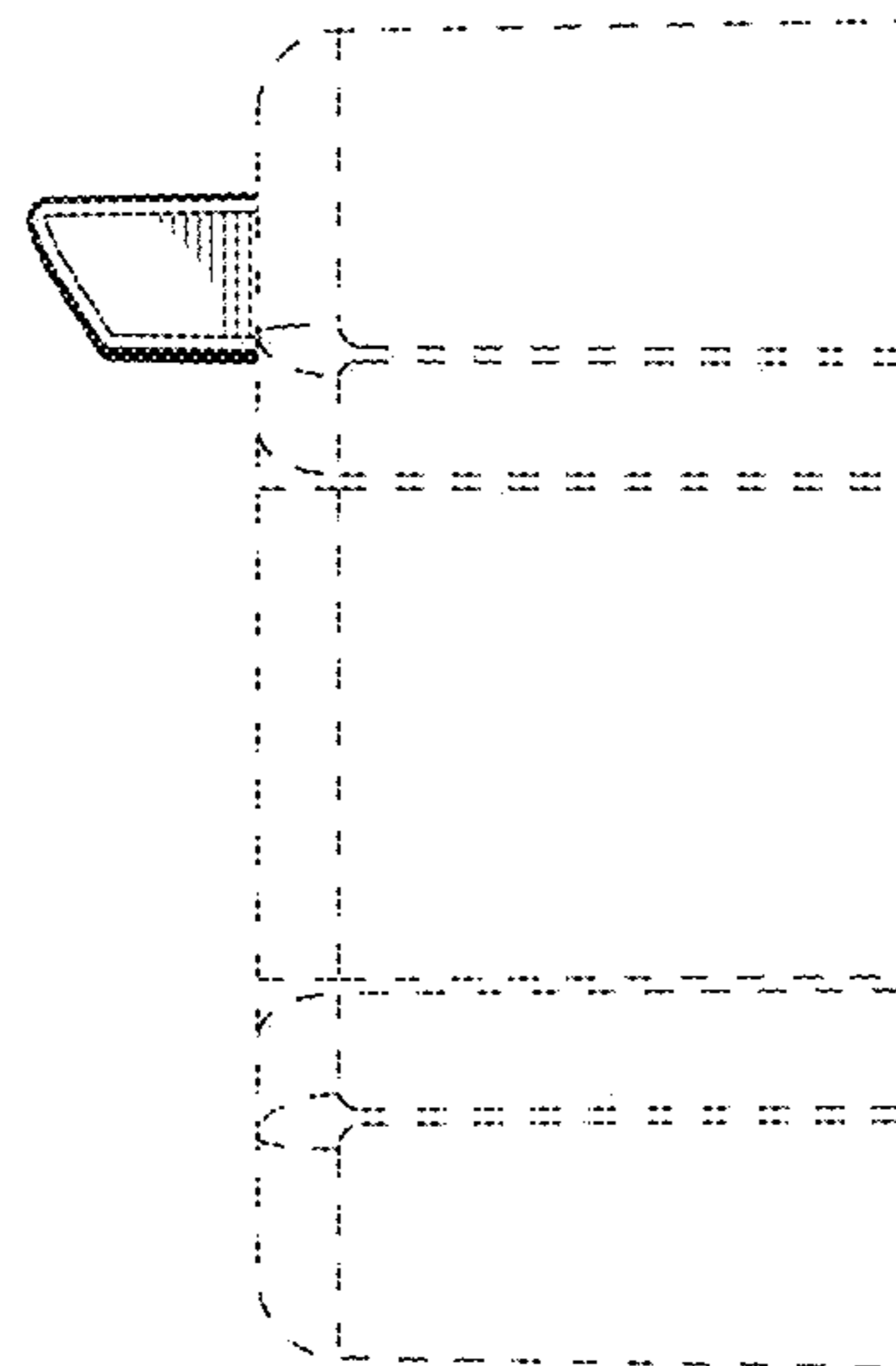


FIG. 5

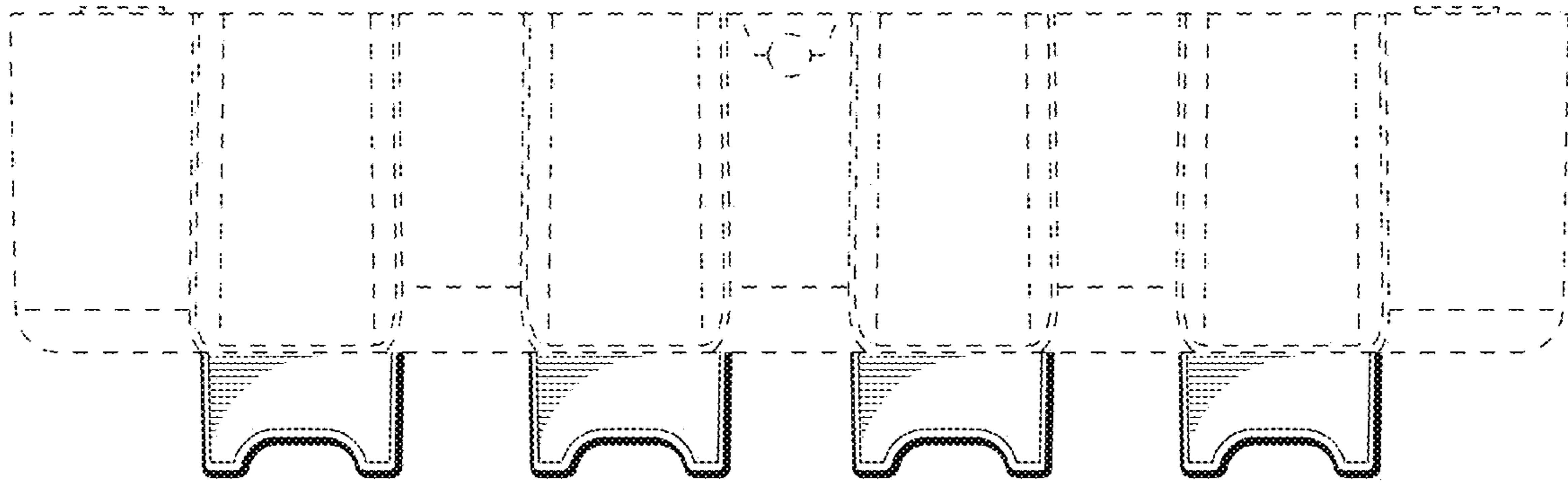


FIG. 6

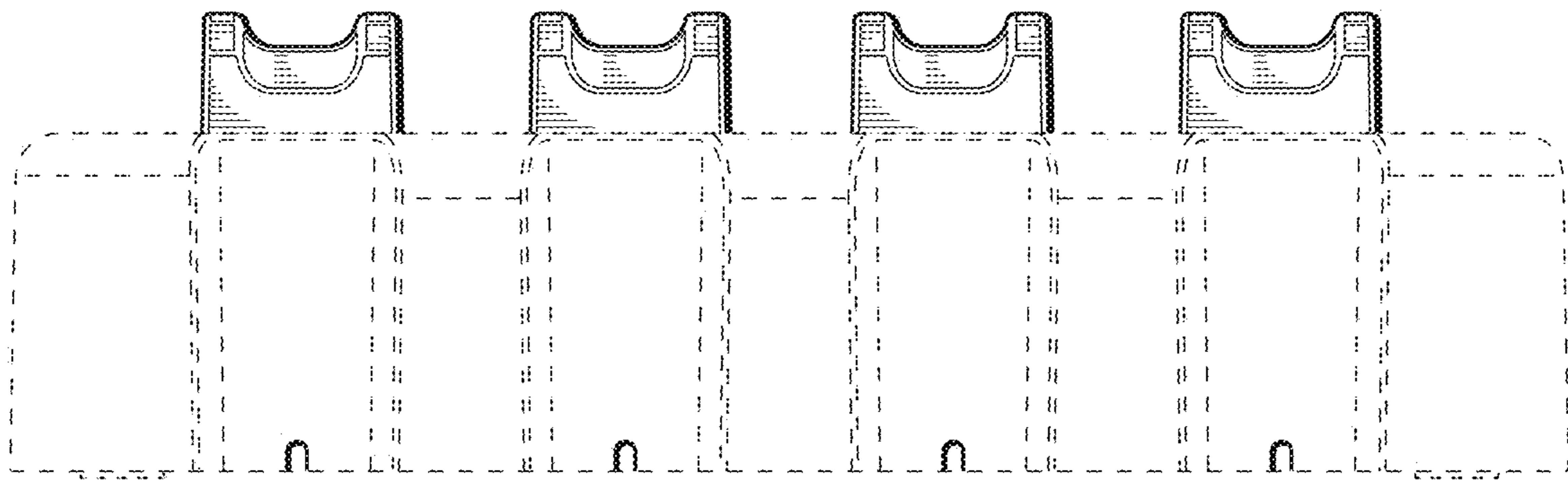


FIG. 7

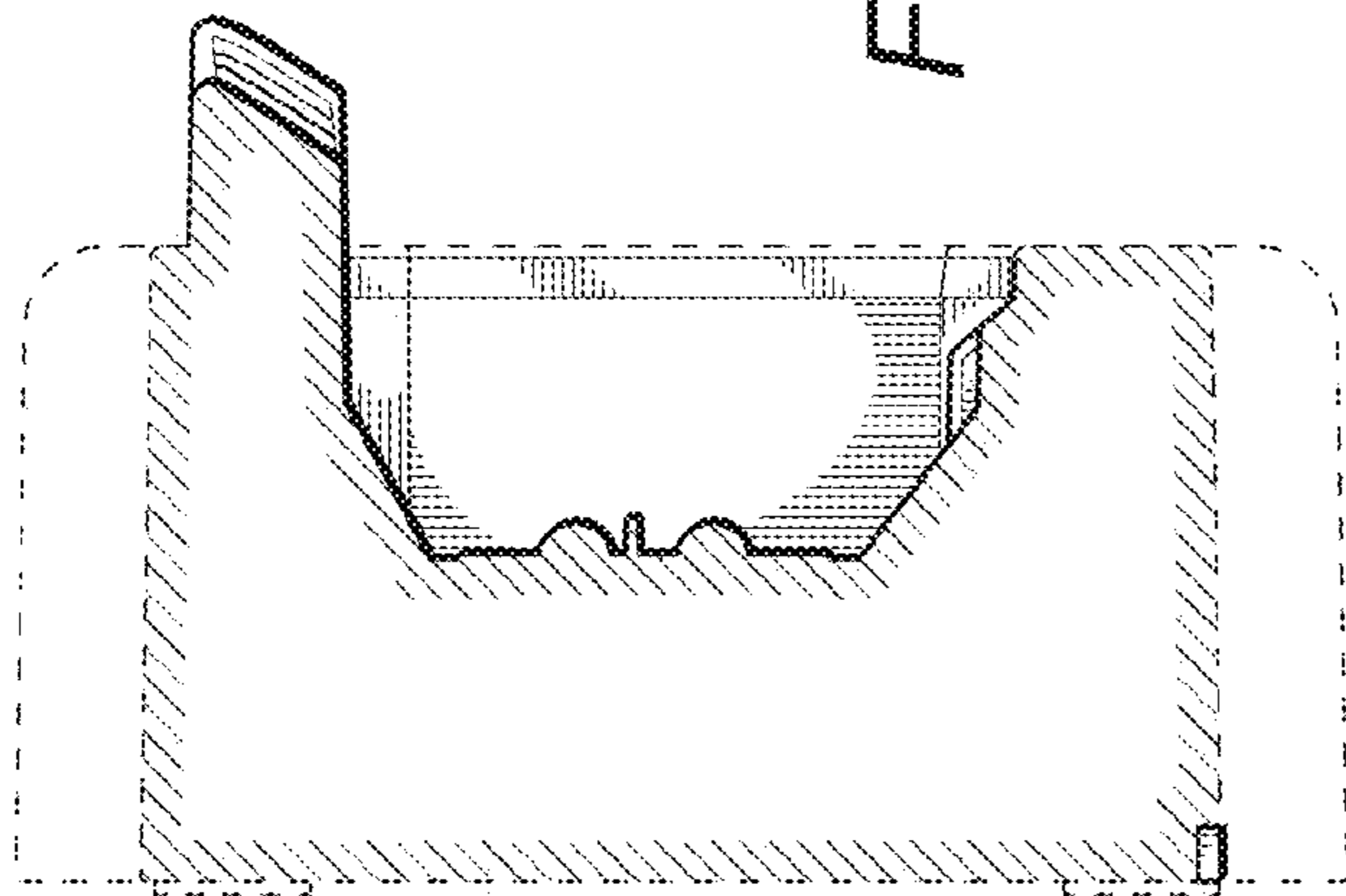


FIG. 8

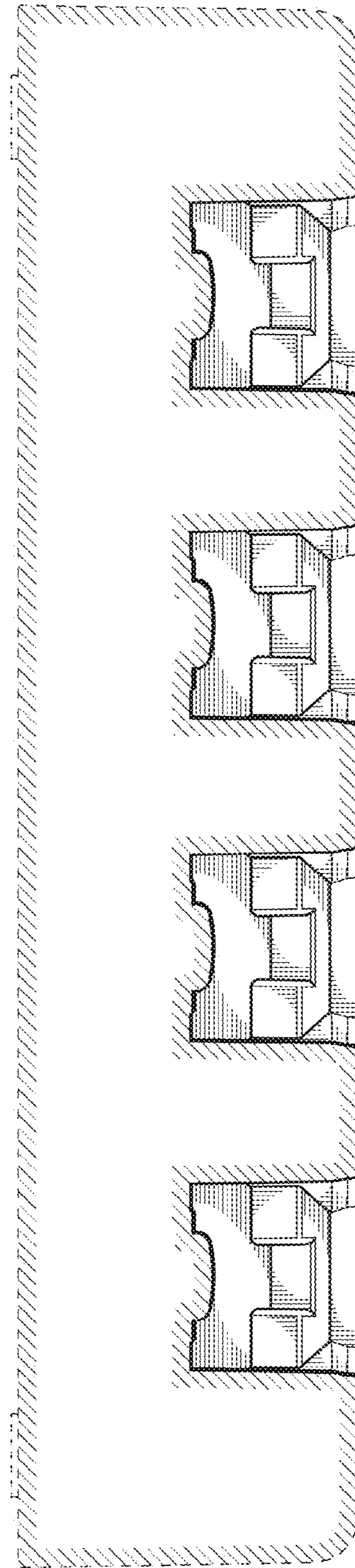


FIG. 9

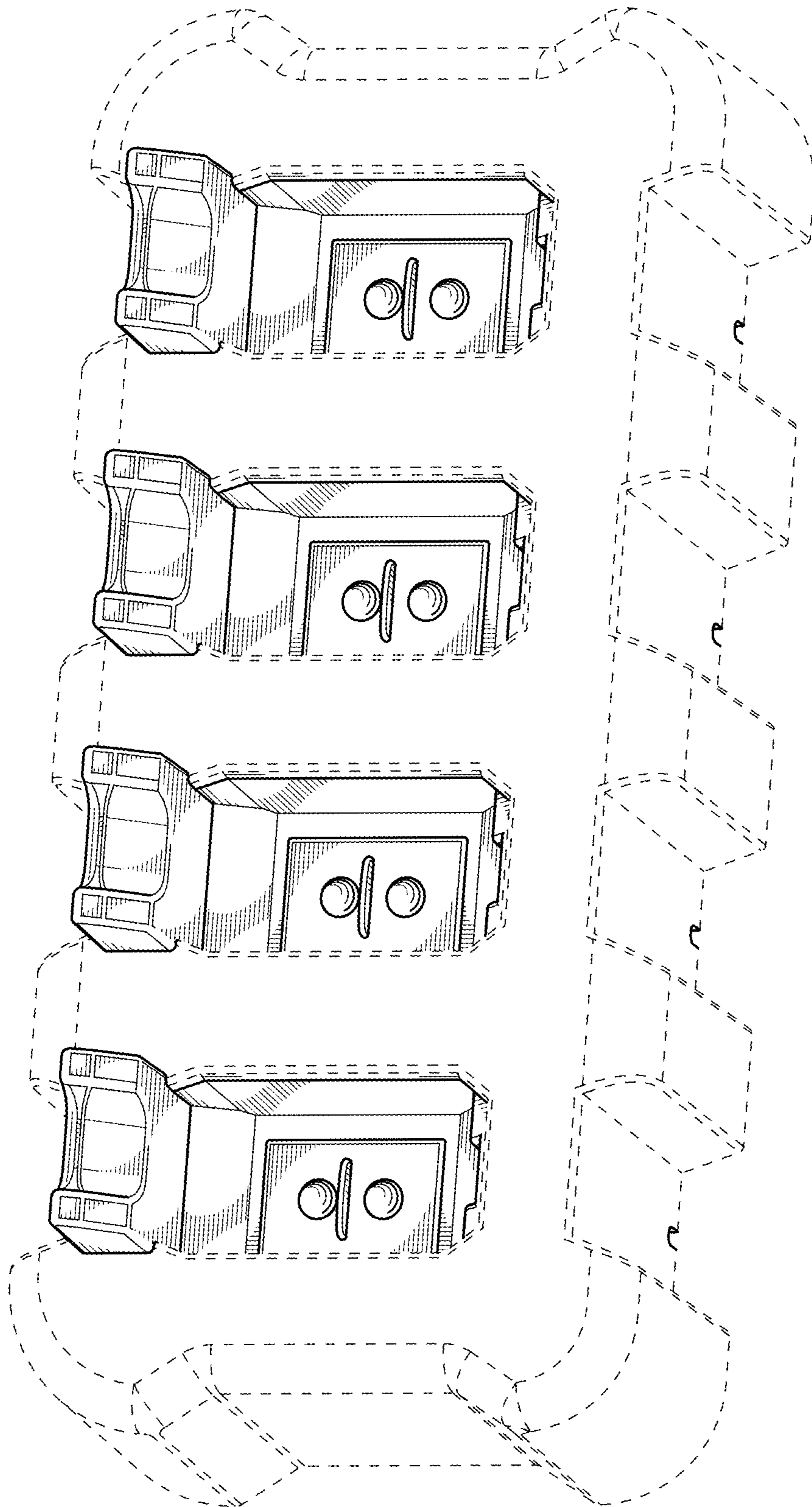


FIG. 10