



US00D895544S

(12) **United States Design Patent** (10) **Patent No.:** **US D895,544 S**
Zhao (45) **Date of Patent:** **** Sep. 8, 2020**

(54) **WIRELESS CHARGER**

(71) Applicant: **Shenzhen Itian Technology Co., Ltd,**
Shenzhen (CN)

(72) Inventor: **Jiankun Zhao,** Shenzhen (CN)

(**) Term: **15 Years**

(21) Appl. No.: **29/687,610**

(22) Filed: **Apr. 15, 2019**

(30) **Foreign Application Priority Data**

Dec. 17, 2018 (CN) 2018 3 0732976

(51) **LOC (12) Cl.** **13-02**

(52) **U.S. Cl.**
USPC **D13/108**

(58) **Field of Classification Search**
USPC D14/300-302, 314, 348-370, 383-385,
D14/435, 496, 125, 135, 155, 240-242,
D14/299; D3/273; D9/432, 434;
D10/65, 75, 78; D13/103, 118, 119, 162,
D13/184, 199, 107, 110, 133, 144
CPC ... G11B 33/027; G11B 33/122; G11B 33/124;
G11B 33/022; G11B 33/025; Y02E 60/12;
Y02T 90/14; Y02T 90/122; Y02T 90/128;
Y02T 90/163; H02J 7/025; H02J 7/0042;
H02J 7/0044; H02J 7/0045; H02J 7/0003;
H01F 38/14; H01R 13/6675; H01M
2/1022; H01M 2/1055; H01M 10/44;
H01M 10/46; H01M 10/425; B60L
11/182

See application file for complete search history.

(56) **References Cited**

U.S. PATENT DOCUMENTS

D456,024 S * 4/2002 Richter D14/434
D685,379 S * 7/2013 Richter D14/253

D685,380 S * 7/2013 Richter D14/253
D705,211 S * 5/2014 Huang D14/253
D750,612 S * 3/2016 Chen D14/253
D772,217 S * 11/2016 Alesi D14/253
D784,923 S * 4/2017 Song D13/108
D799,466 S * 10/2017 Sukphist D14/253
D815,594 S 4/2018 Chen
D816,027 S 4/2018 Chen
D829,203 S 9/2018 Chen
D832,248 S * 10/2018 Sukphist D14/253
D835,705 S * 12/2018 Chun D16/244
D861,670 S * 10/2019 Li D14/253
2007/0284500 A1 * 12/2007 Fan B60R 11/02
248/346.06
2010/0295228 A1 * 11/2010 Woody B60R 11/0241
269/254 R
2011/0073743 A1 * 3/2011 Shamie B60R 11/02
248/537

* cited by examiner

Primary Examiner — Nathaniel D. Buckner

(74) *Attorney, Agent, or Firm* — ZANIP

(57) **CLAIM**

The ornamental design for a wireless charger, as shown and described.

DESCRIPTION

FIG. 1 is a perspective view of a wireless charger showing my design;

FIG. 2 is a front view thereof;

FIG. 3 is a back view thereof;

FIG. 4 is a left side view thereof;

FIG. 5 is a right side view thereof;

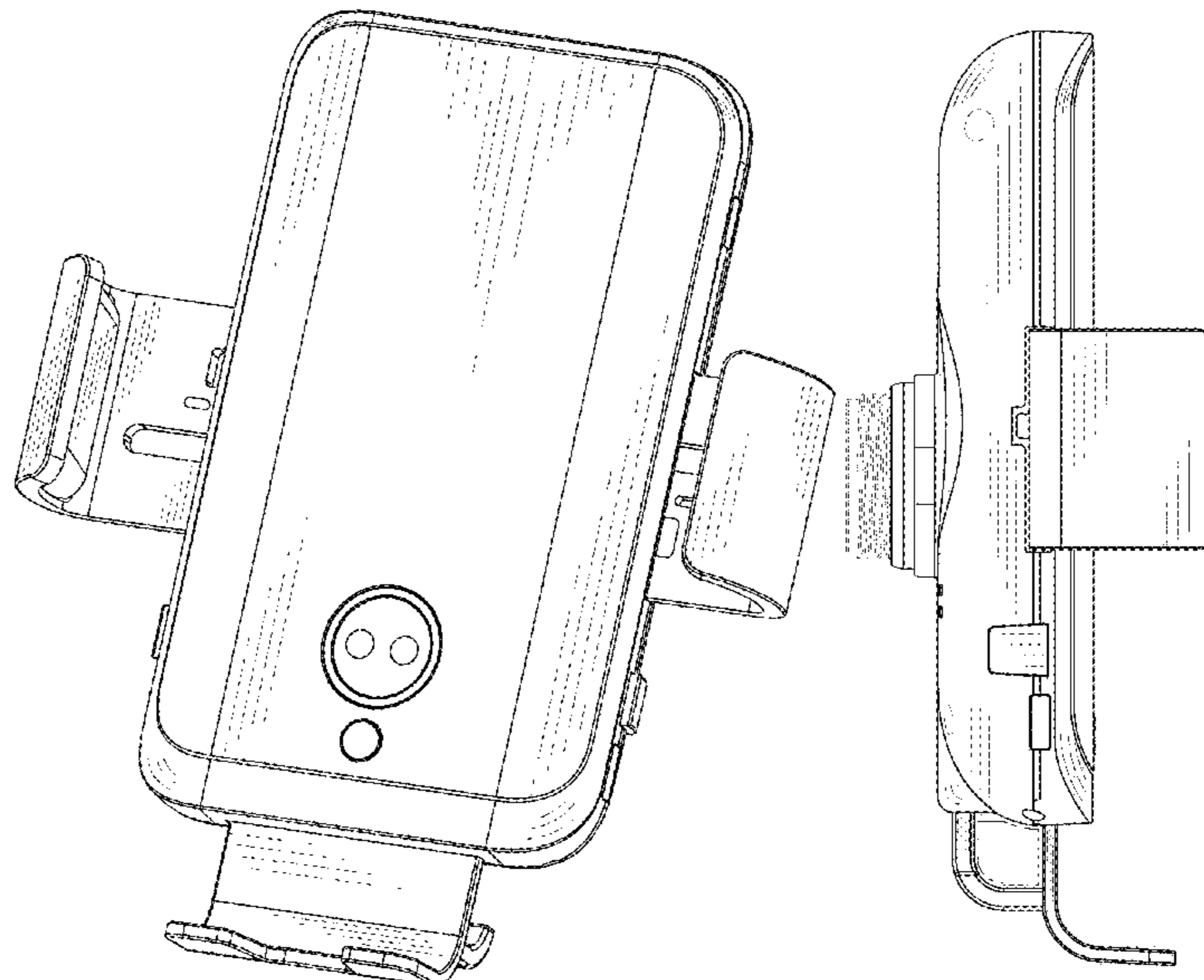
FIG. 6 is a top view thereof; and,

FIG. 7 is a bottom view thereof.

The dashed broken lines in the drawings depict portions of the wireless charger that form no part of the claimed design.

The dash-dot broken lines define the boundaries of the claim that form no part of the claim.

1 Claim, 7 Drawing Sheets



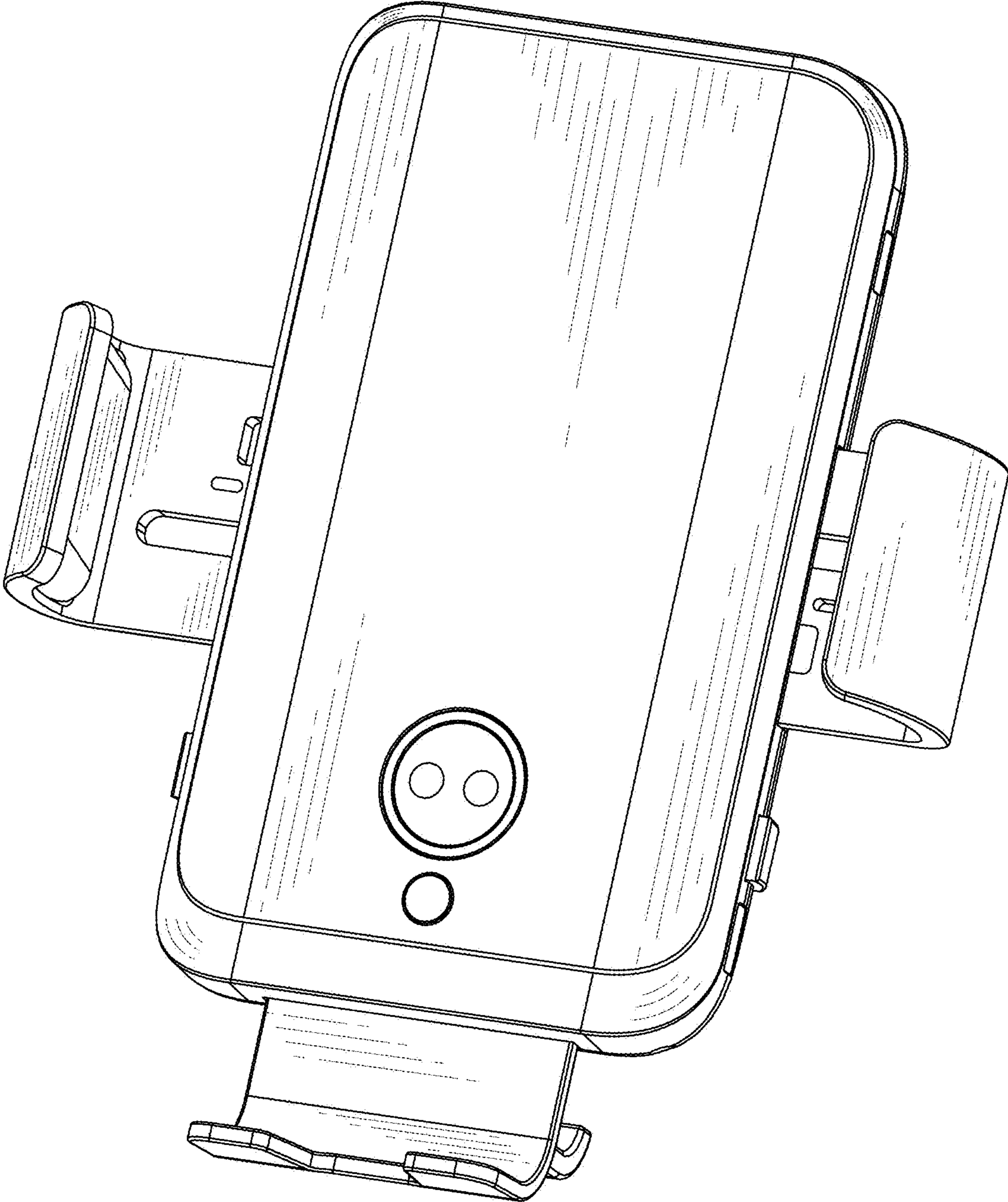


FIG.1

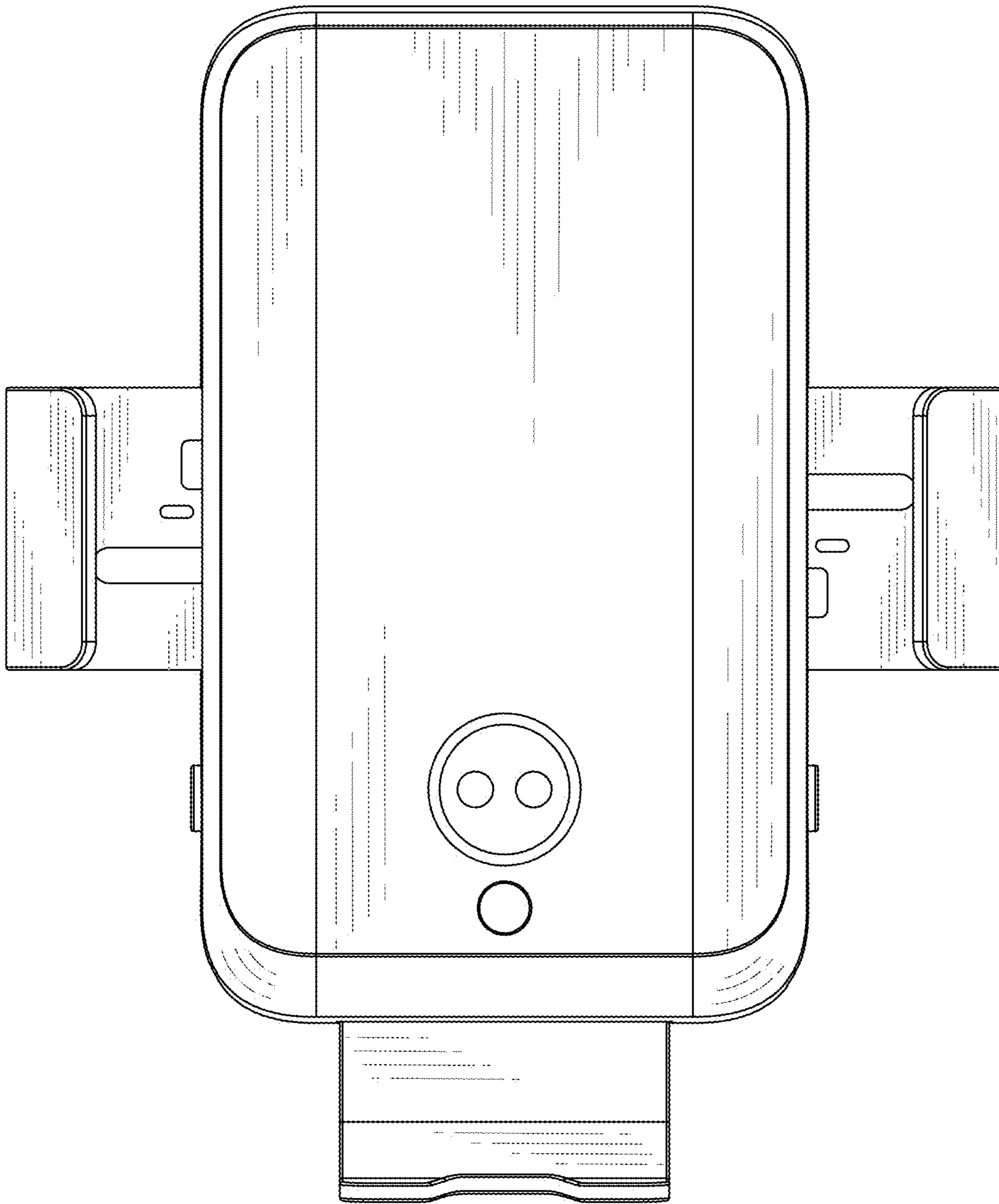


FIG.2

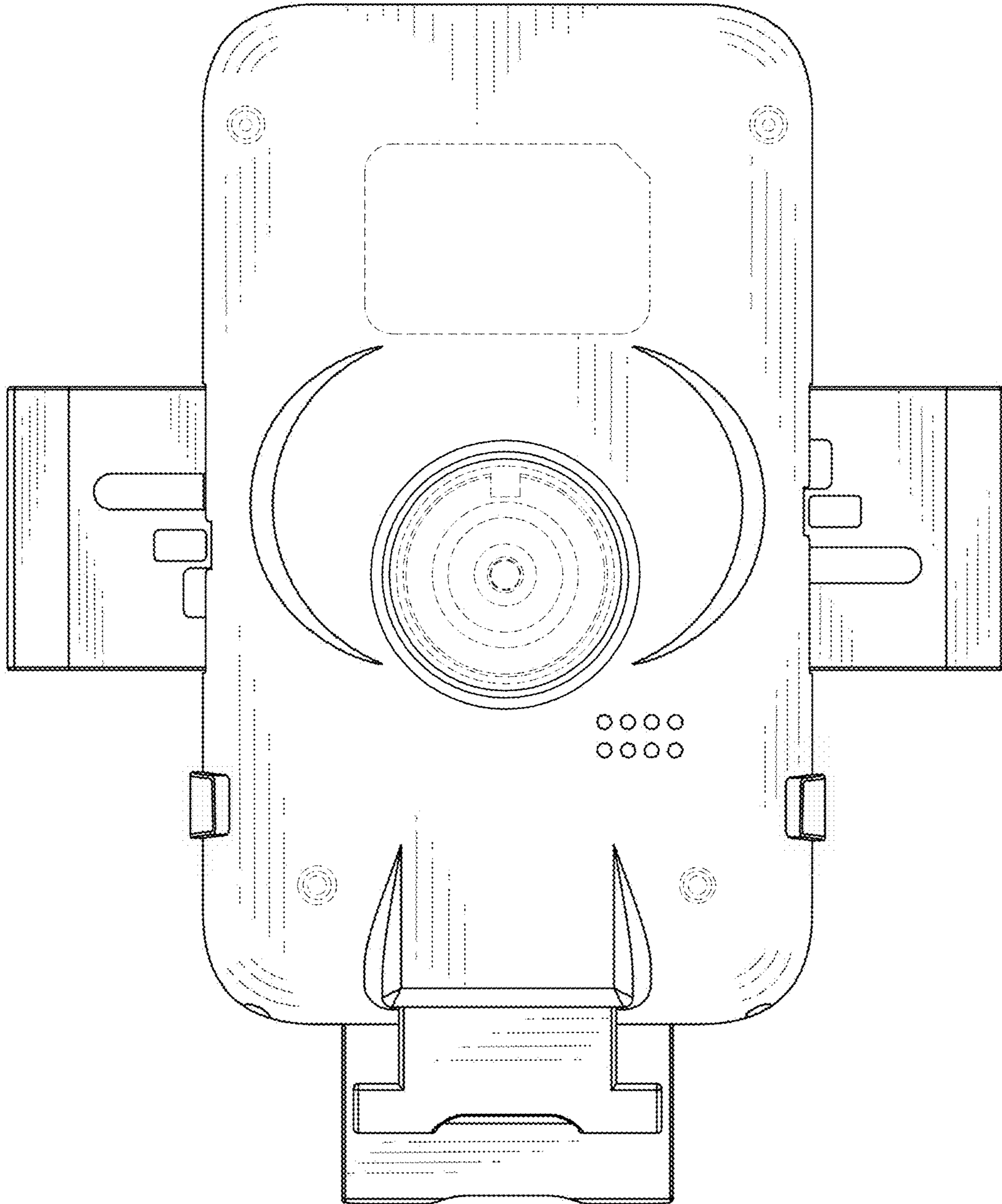


FIG.3

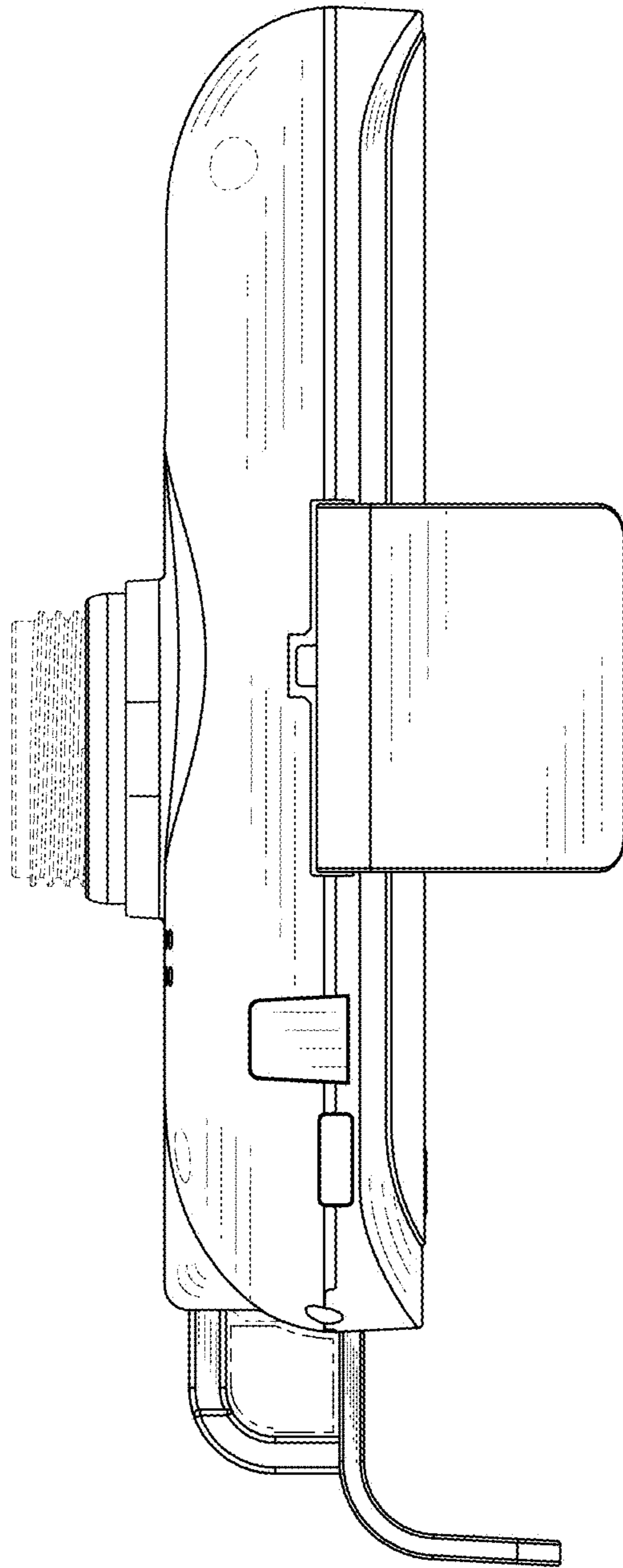


FIG.4

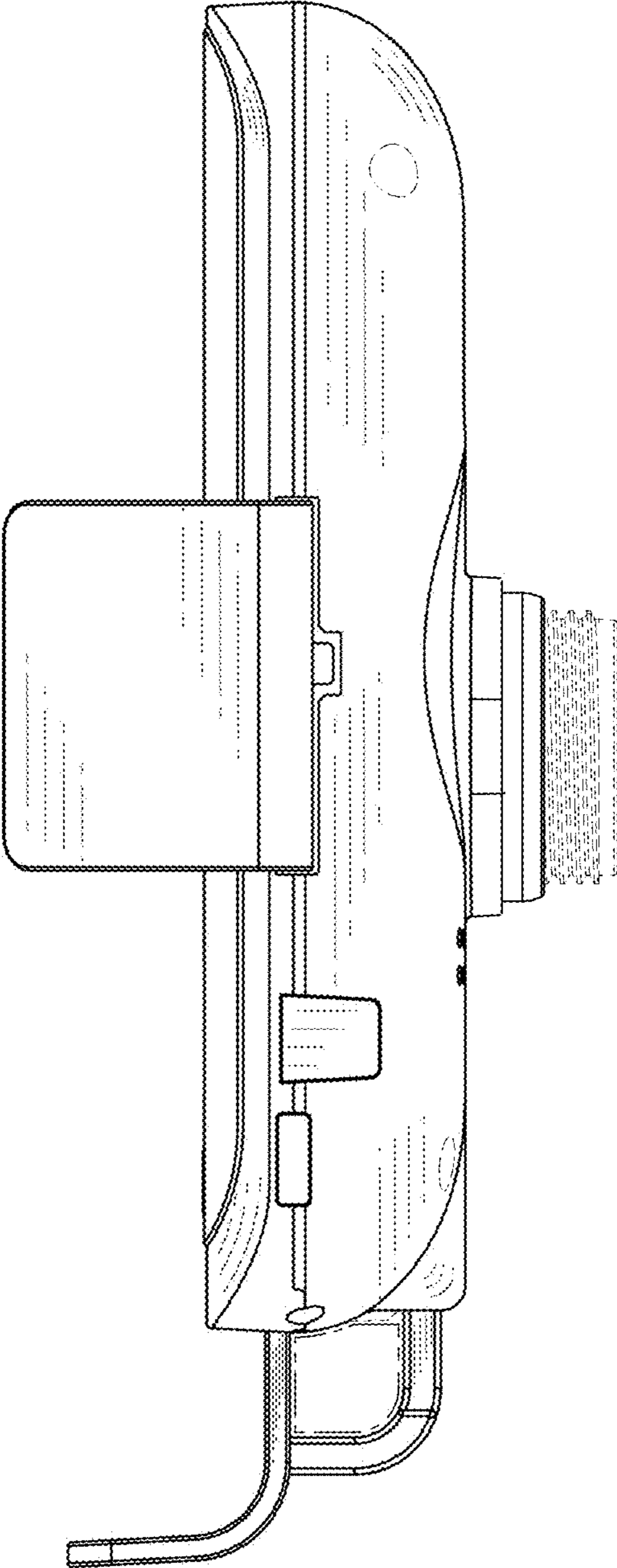


FIG.5

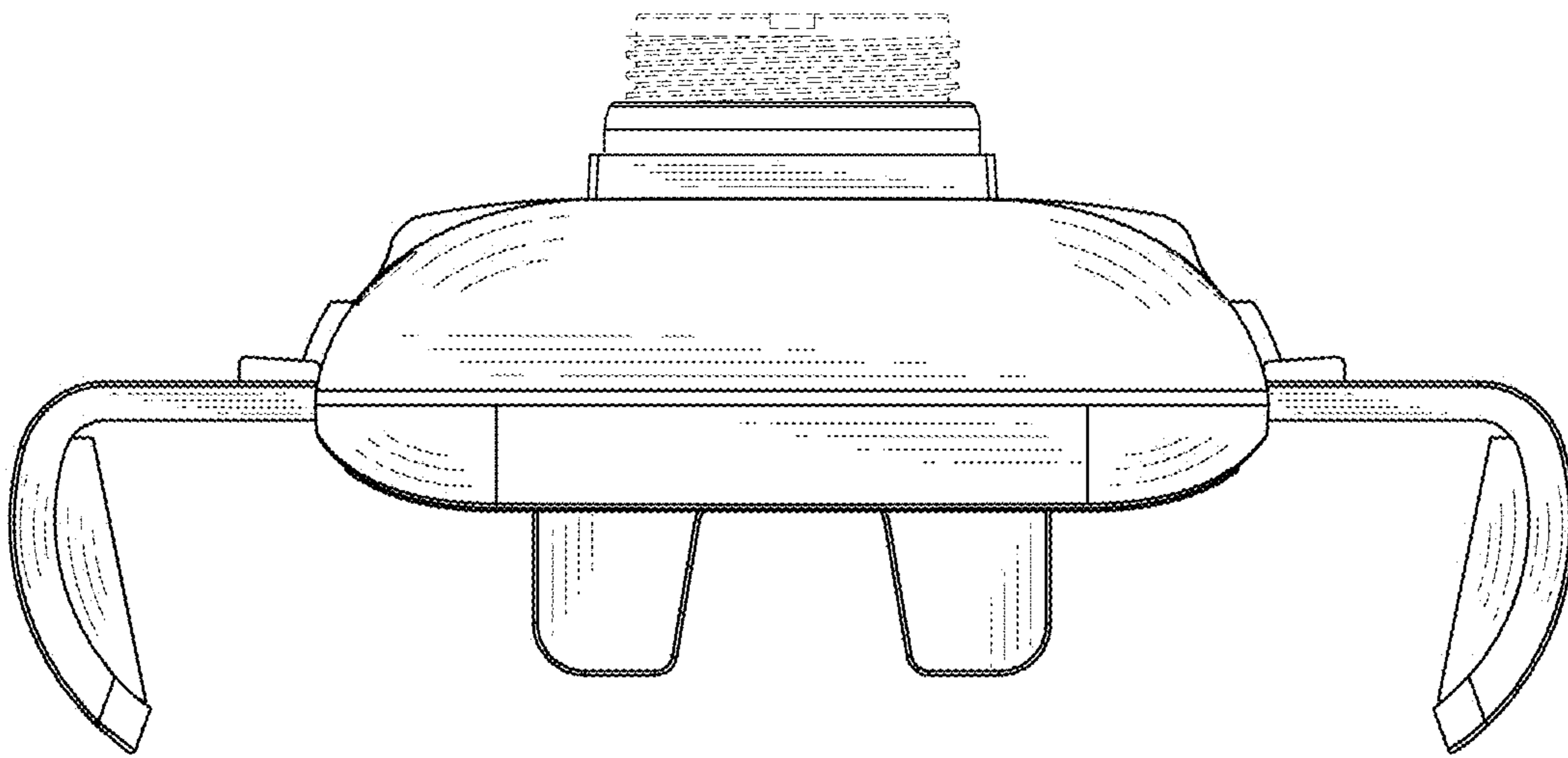


FIG.6

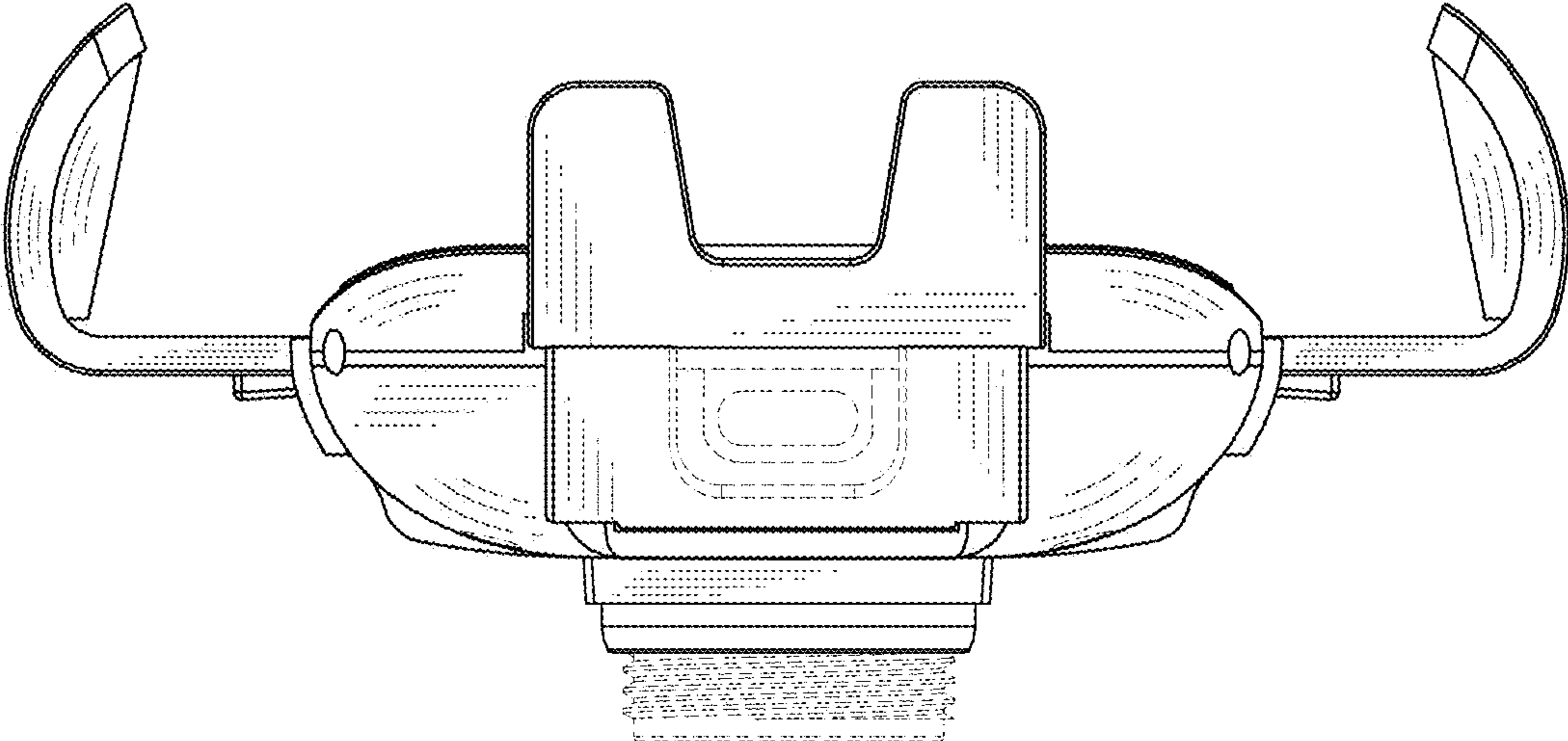


FIG.7