



US00D895541S

(12) **United States Design Patent**
Zhang et al.

(10) **Patent No.:** **US D895,541 S**

(45) **Date of Patent:** **** Sep. 8, 2020**

(54) **WIRELESS CHARGER**

(71) Applicant: **Ugreen Group Limited**, Shenzhen (CN)

(72) Inventors: **Qingsen Zhang**, Shenzhen (CN);
Junling Chen, Shenzhen (CN);
Chengjian Zhou, Shenzhen (CN)

(**) Term: **15 Years**

(21) Appl. No.: **29/659,710**

(22) Filed: **Aug. 10, 2018**

(51) **LOC (12) Cl.** **13-02**

(52) **U.S. Cl.**
USPC **D13/108**

(58) **Field of Classification Search**
USPC D13/107–110, 118–119, 184; D14/251,
D14/253, 432, 434
CPC Y02E 60/12; Y02T 90/14; Y02T 90/122;
Y02T 90/128; Y02T 90/163; Y02T
10/7005; Y02T 10/7088; H02J 7/025;
H02J 7/0042; H02J 7/0044; H02J 7/0045;
H02J 7/0003; H01F 38/14; H01R
13/6675; H01M 2/1022; H01M 2/1055;
H01M 10/44; H01M 10/46; H01M
10/425; B60L 11/182
See application file for complete search history.

(56) **References Cited**

U.S. PATENT DOCUMENTS

D524,282 S *	7/2006	Beasley	D13/108
D546,823 S *	7/2007	Dayan	D14/253
D558,208 S *	12/2007	Ikeda	D14/434
D585,898 S *	2/2009	Skurdal	D14/434
D620,884 S *	8/2010	Lee	D13/108
D678,193 S *	3/2013	Siminoff	D13/108
D717,244 S *	11/2014	Reishus	D13/108

D719,146 S *	12/2014	Herbst	D14/253
D738,303 S *	9/2015	Symons	D13/108
D758,304 S *	6/2016	Wright	D13/107
D774,455 S *	12/2016	Kim	D13/108
D784,259 S *	4/2017	Huang	D13/108
D786,792 S *	5/2017	Miller	D13/110
D787,439 S *	5/2017	Sloan	D13/107
D794,557 S *	8/2017	Kim	D13/108
D796,433 S *	9/2017	Langhammer	D13/108
D810,015 S *	2/2018	Carreon	D13/108
D823,241 S *	7/2018	Zhang	D13/103
D832,264 S *	10/2018	Kim	D14/434
D837,148 S *	1/2019	Brown	D13/108
D839,189 S *	1/2019	Miller	D13/108
D850,372 S *	6/2019	Kong	D13/108
D853,960 S *	7/2019	Lei	D13/108
D855,564 S *	8/2019	Brennan	D13/108
D855,567 S *	8/2019	Cai	D13/108

* cited by examiner

Primary Examiner — Rosemary K Tarcza

(74) *Attorney, Agent, or Firm* — Zanip

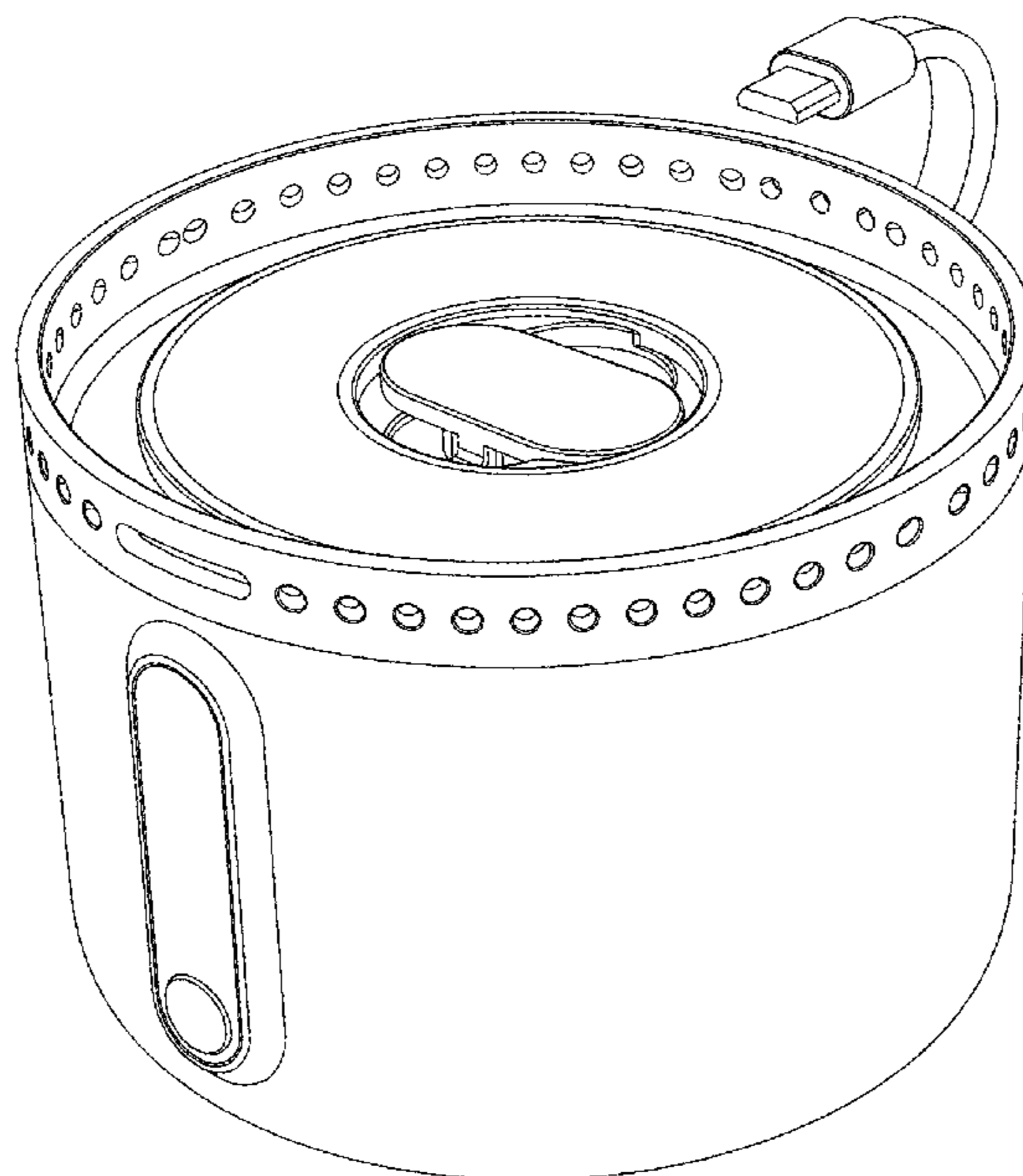
(57) **CLAIM**

The ornamental design for a wireless charger, as shown and described.

DESCRIPTION

FIG. 1 is a front perspective view of a wireless charger showing our new design;
FIG. 2 is a rear perspective front view thereof;
FIG. 3 is a front elevational view thereof;
FIG. 4 is a rear elevational view thereof;
FIG. 5 is a right side view thereof;
FIG. 6 is a left side view thereof;
FIG. 7 is a top plan view thereof; and,
FIG. 8 is a bottom plan view thereof.
The broken lines in the drawings depict portions of the wireless charger that form no part of the claimed design.

1 Claim, 8 Drawing Sheets



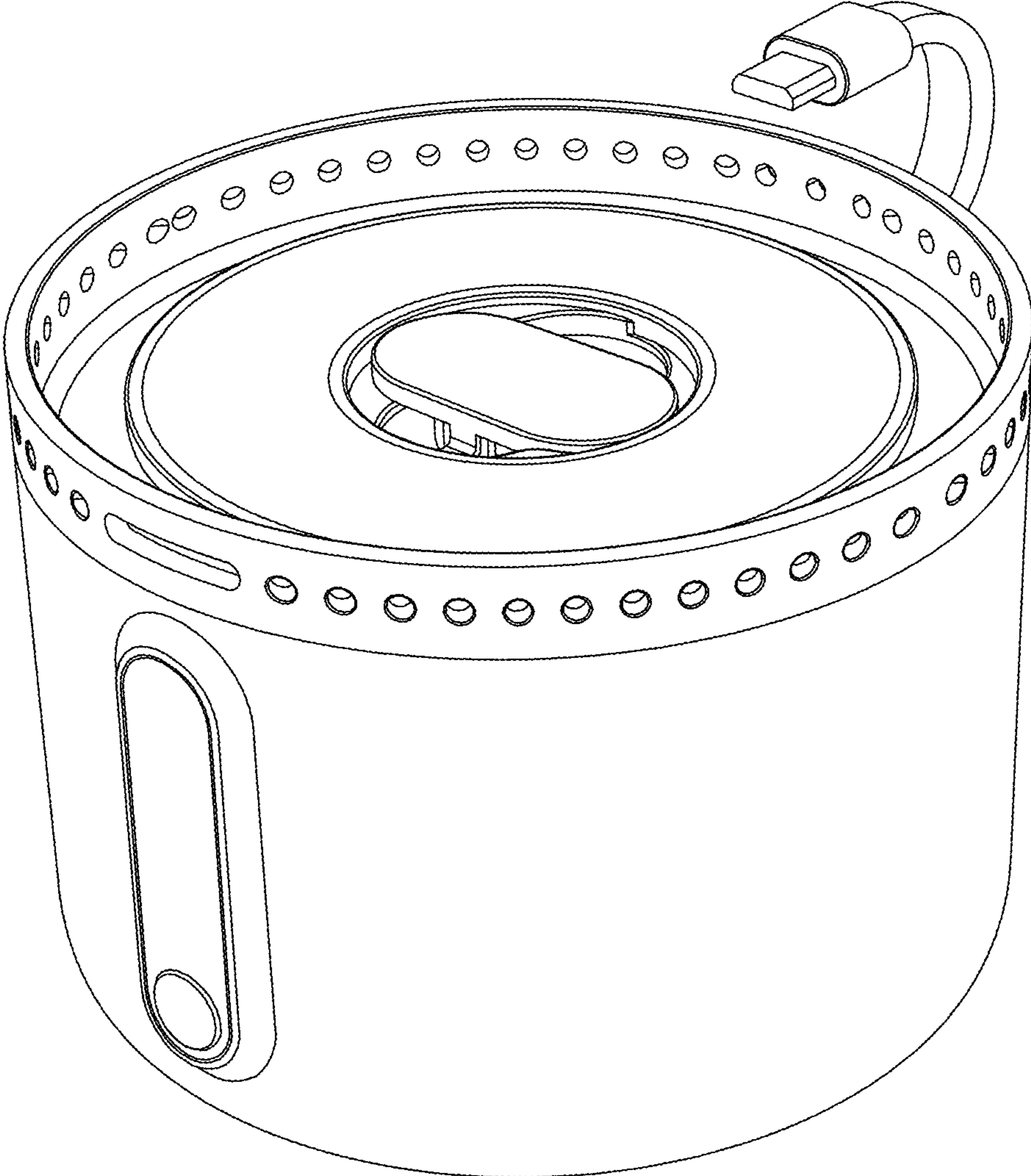


FIG. 1

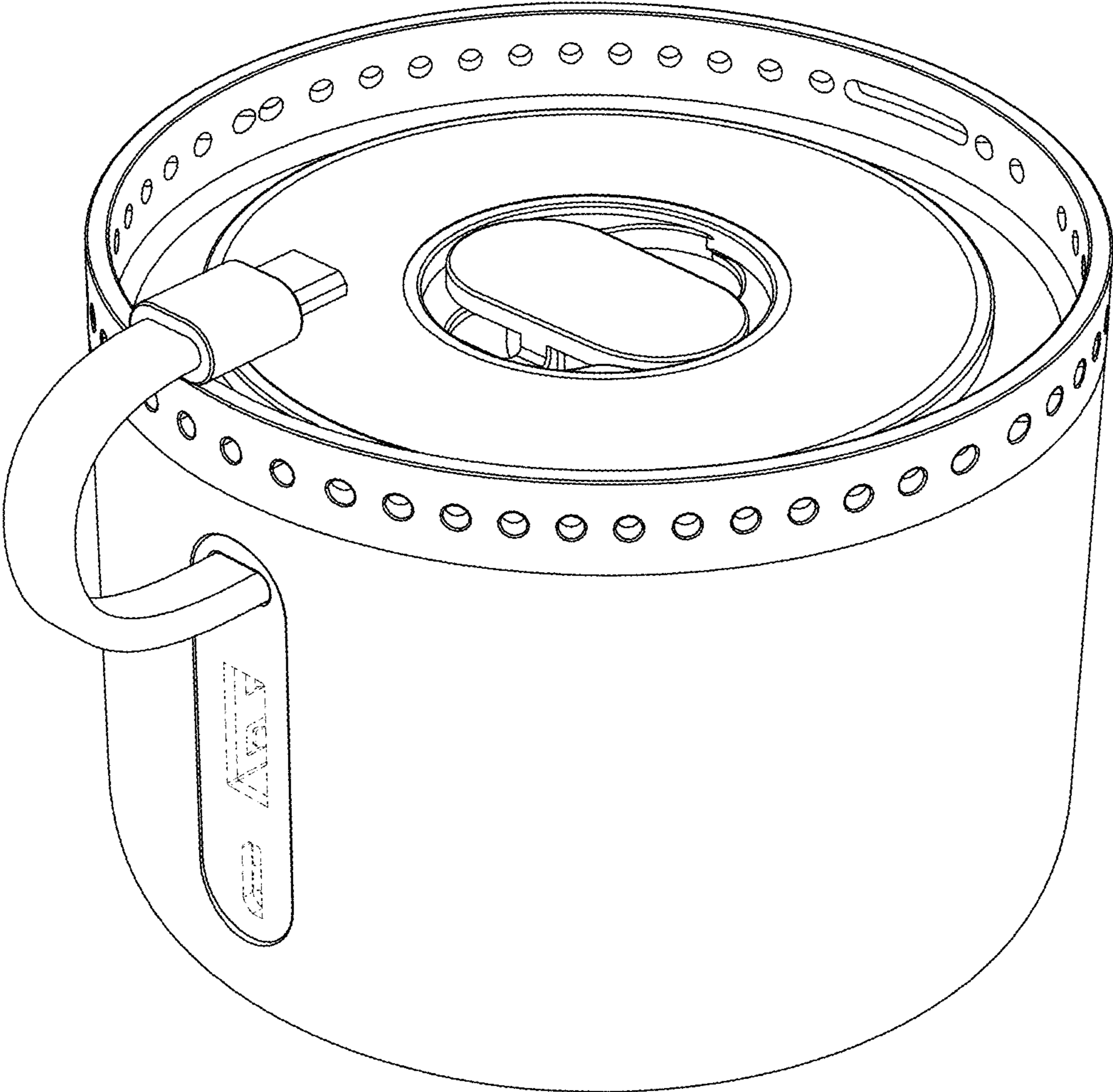


FIG. 2

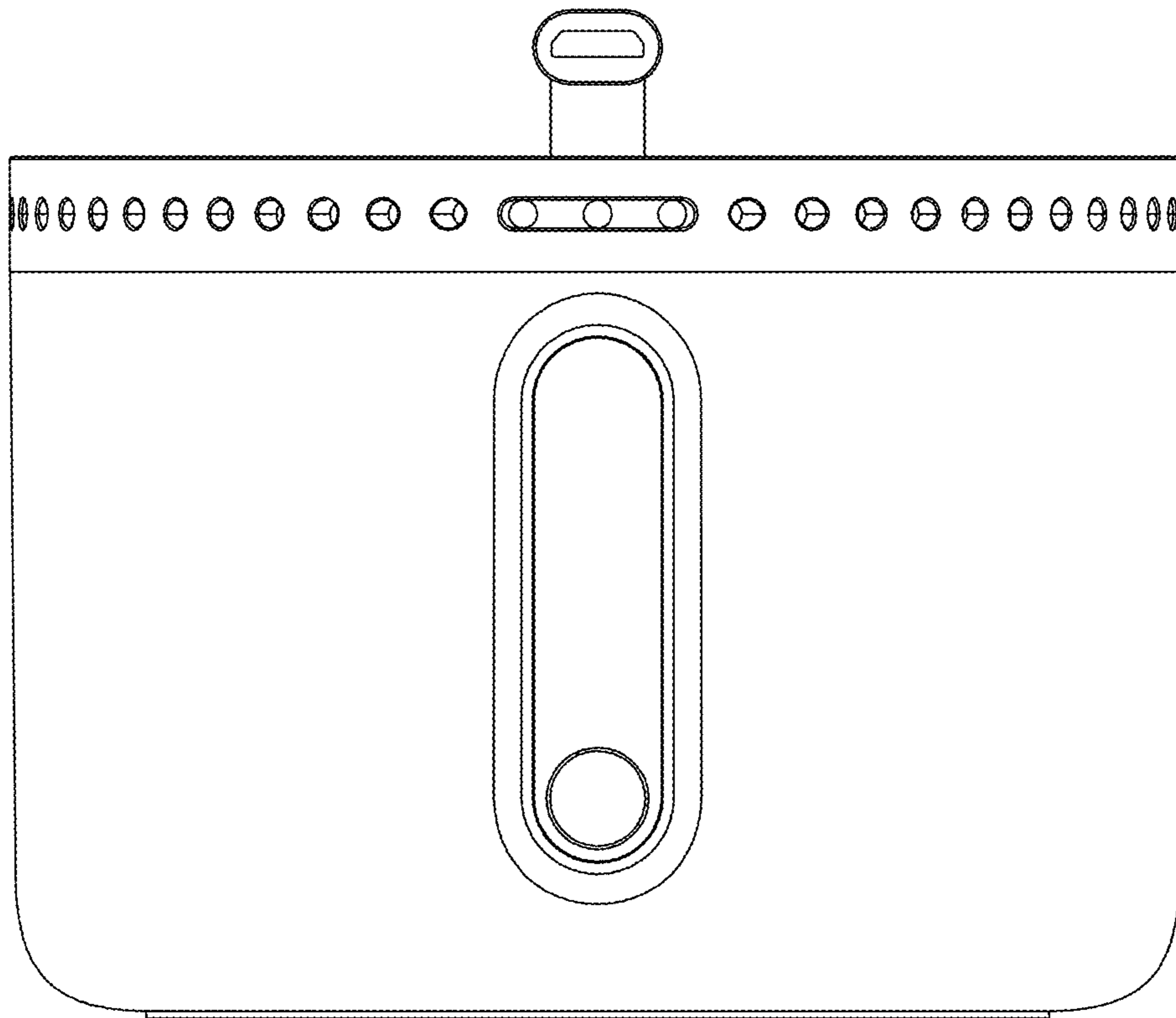


FIG. 3

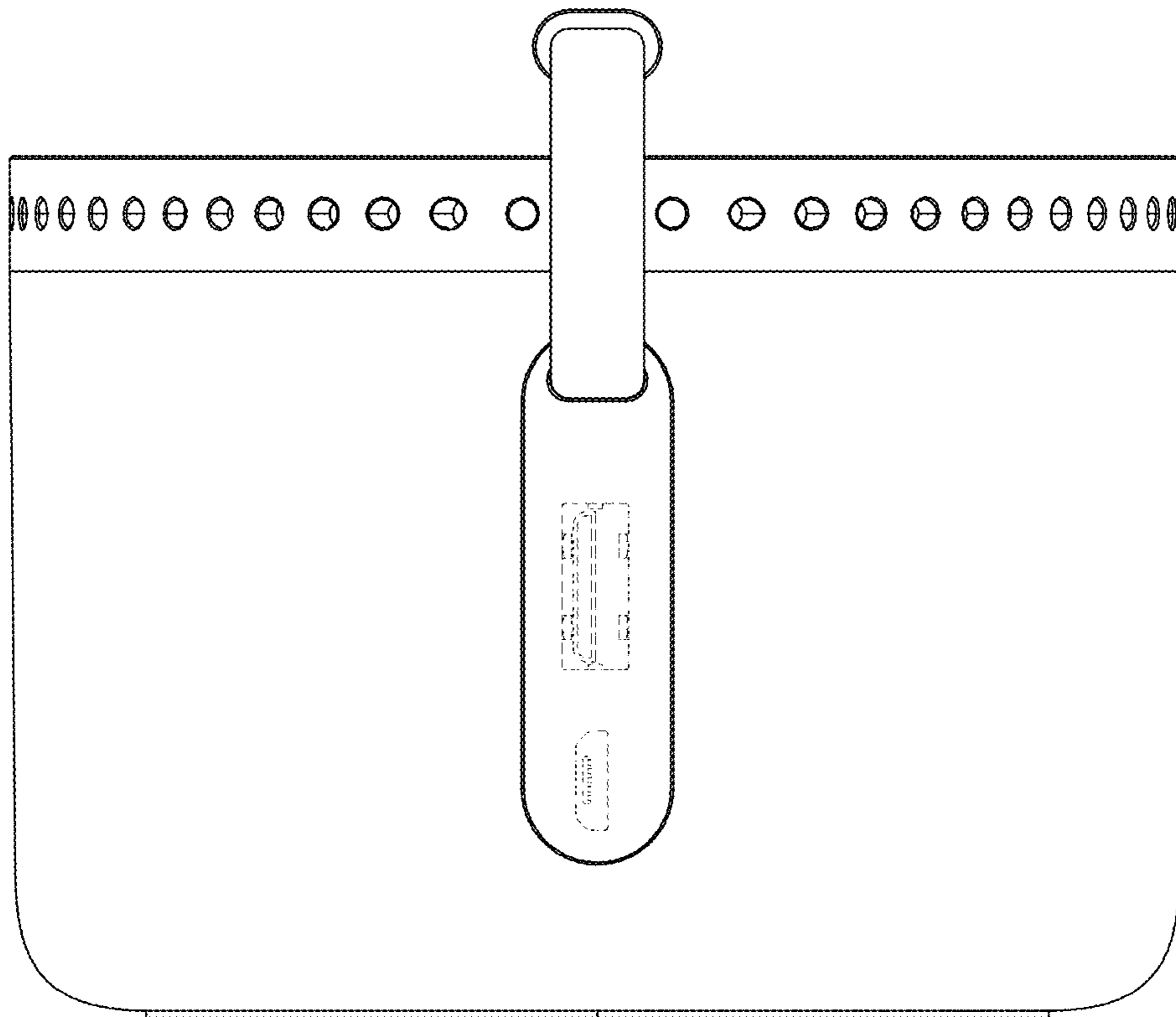


FIG. 4

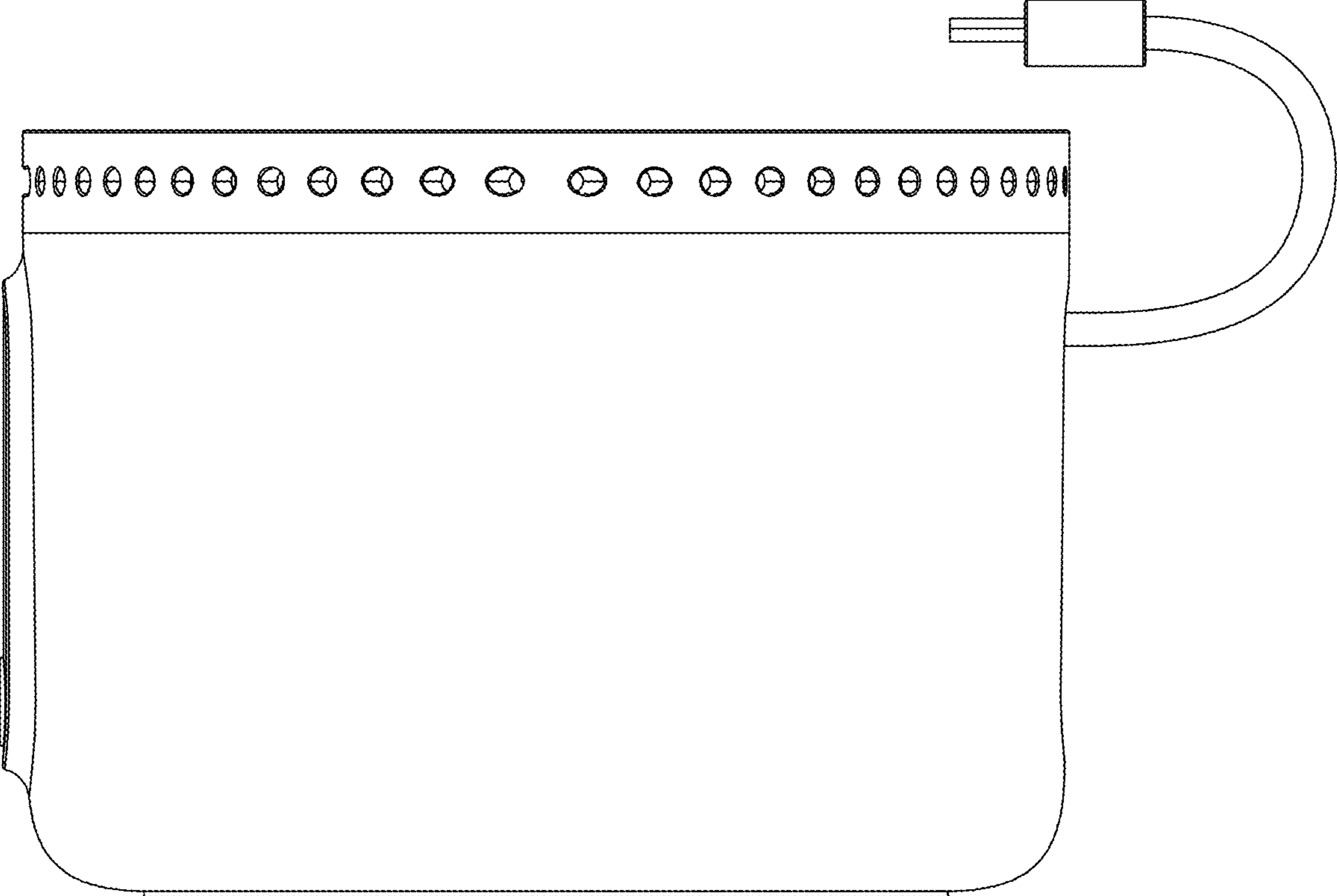


FIG. 5

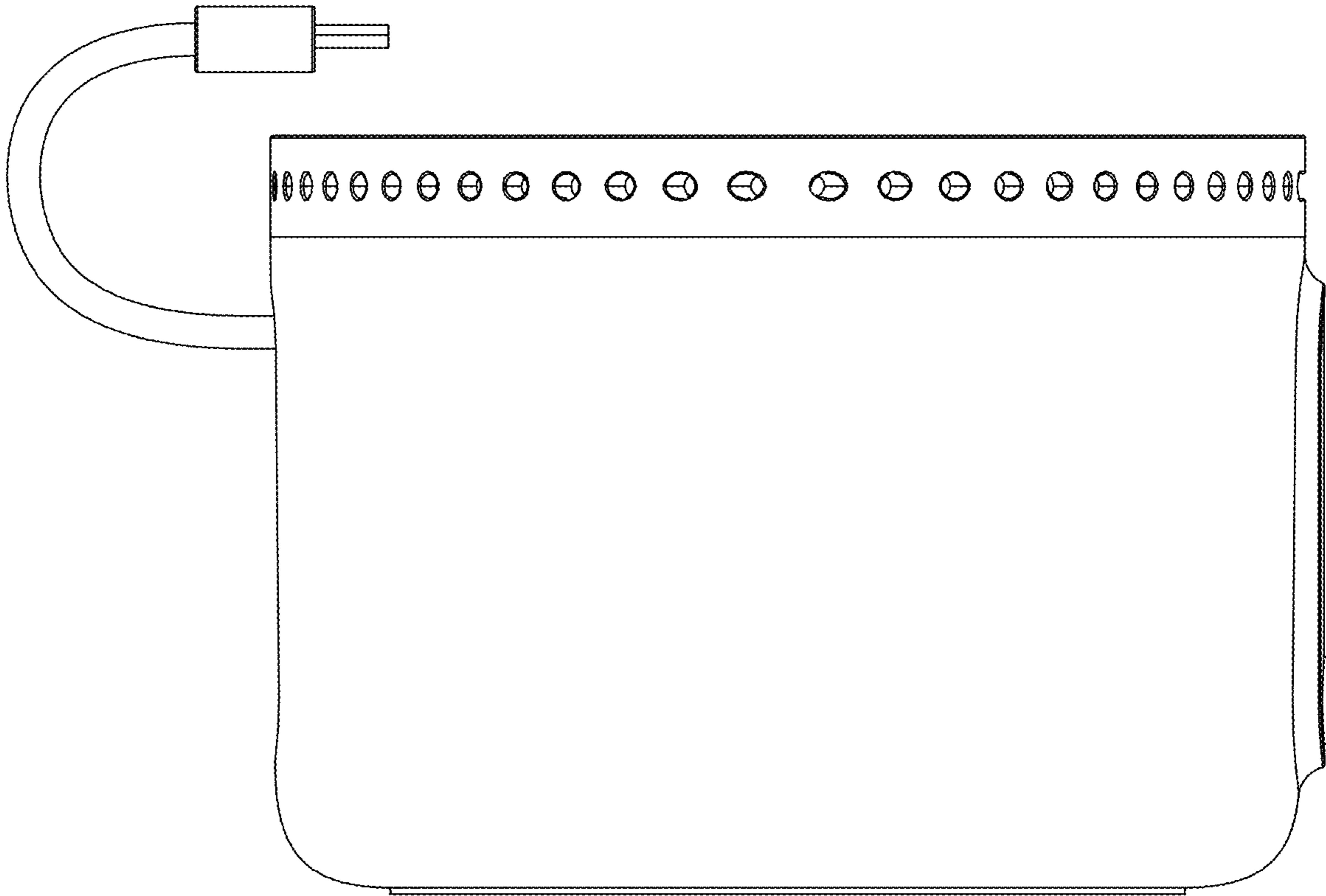


FIG. 6

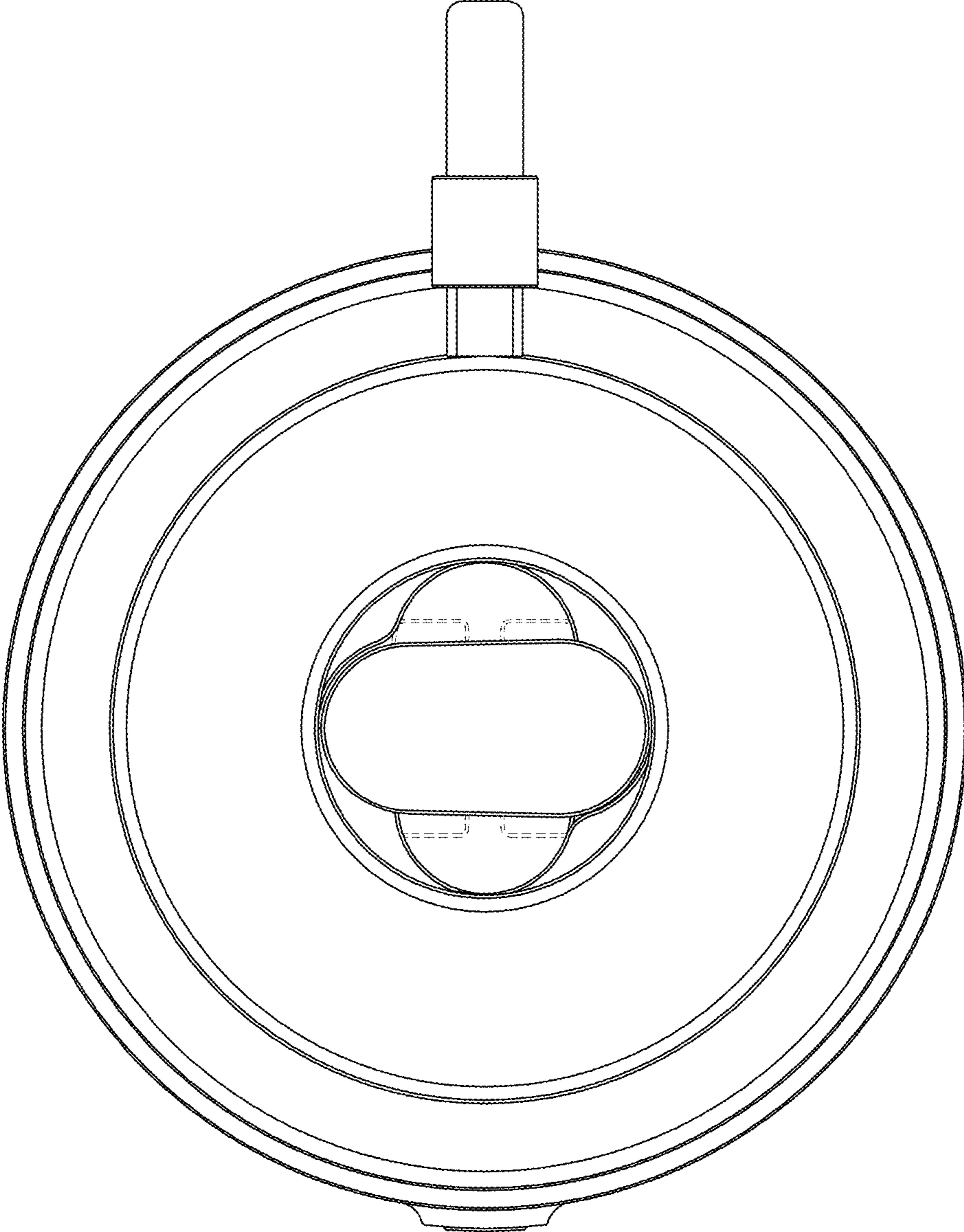


FIG. 7

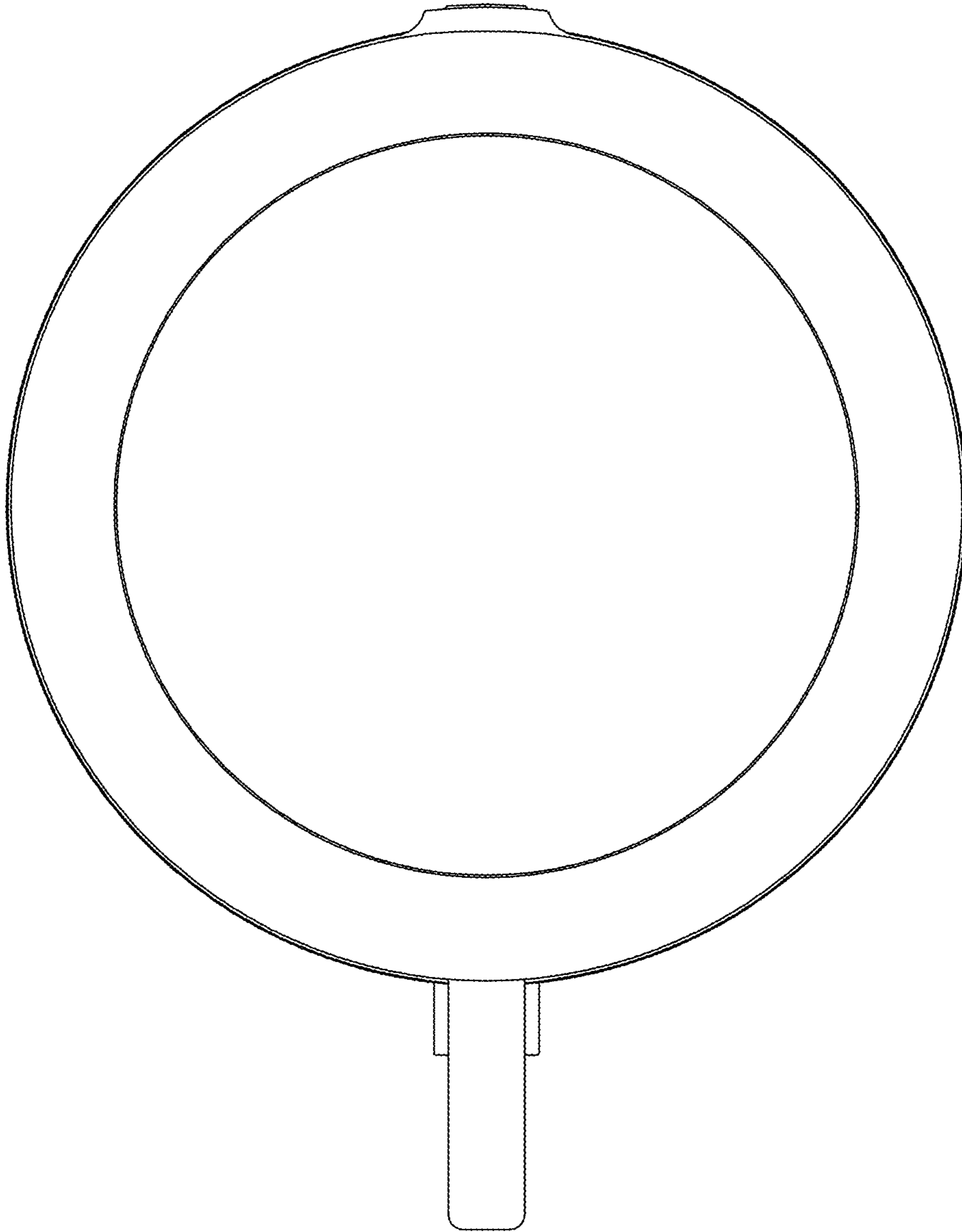


FIG. 8