



US00D895539S

(12) **United States Design Patent**
Jabusch et al.

(10) **Patent No.:** **US D895,539 S**

(45) **Date of Patent:** **** Sep. 8, 2020**

(54) **SUPPORT STRUCTURE**

(71) Applicant: **Sirius Instrumentation and Controls Inc.,** Edmonton (CA)

(72) Inventors: **Curtis Jabusch,** Edmonton (CA);
Terry Moffatt, Edmonton (CA);
Thakur Sekhon, Edmonton (CA);
Doug Lesieur, Burleson, TX (US);
Kirby Jabusch, Edmonton (CA)

(**) Term: **15 Years**

(21) Appl. No.: **29/653,088**

(22) Filed: **Jun. 12, 2018**

(51) **LOC (12) Cl.** **13-02**

(52) **U.S. Cl.**
USPC **D13/102**

(58) **Field of Classification Search**
USPC D13/102, 101, 103, 107, 108, 110, 199;
126/569; 136/206, 243, 244, 245, 251,
136/252; 320/101; 323/906
CPC H01L 31/18; H01L 31/022433; H01L
31/0224; H01L 31/0475; H01L 31/042;
H02S 10/40; Y02E 10/50
See application file for complete search history.

(56) **References Cited**

U.S. PATENT DOCUMENTS

D256,840 S * 9/1980 Katz D13/102
6,396,239 B1 * 5/2002 Benn F24S 30/452
320/101

D505,113 S * 5/2005 Lam D13/107
D692,393 S * 10/2013 Hillman D13/102
2015/0194561 A1 * 7/2015 Toya H01L 31/0543
250/208.1

* cited by examiner

Primary Examiner — Derrick E Holland

(74) *Attorney, Agent, or Firm* — Bennett Jones LLP

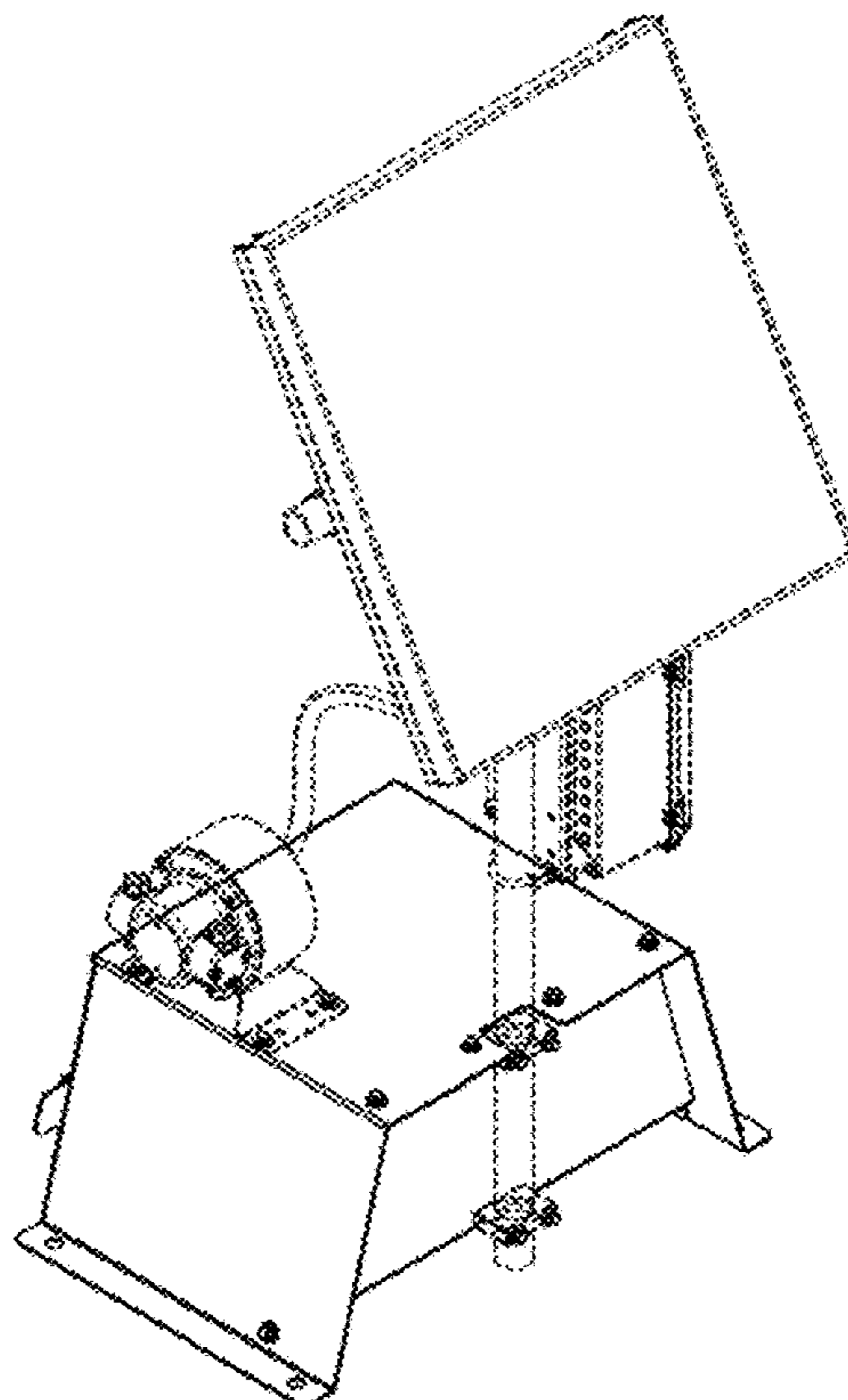
(57) **CLAIM**

The ornamental design for a support structure, as shown and described.

DESCRIPTION

FIG. 1 a is an isometric view of a support structure.
FIG. 2 is another isometric view of the support structure of FIG. 1.
FIG. 3 is a front view of the support structure of FIG. 1.
FIG. 4 is a rear elevation view of the support structure of FIG. 1.
FIG. 5 is a right side elevation view of the support structure of FIG. 1.
FIG. 6 is a left side elevation view of the support structure of FIG. 1; and,
FIG. 7 is a top plan view of the support structure of FIG. 1.
The broken lines shown illustrate environmental subject matter and forms no part of the claimed design.

1 Claim, 4 Drawing Sheets



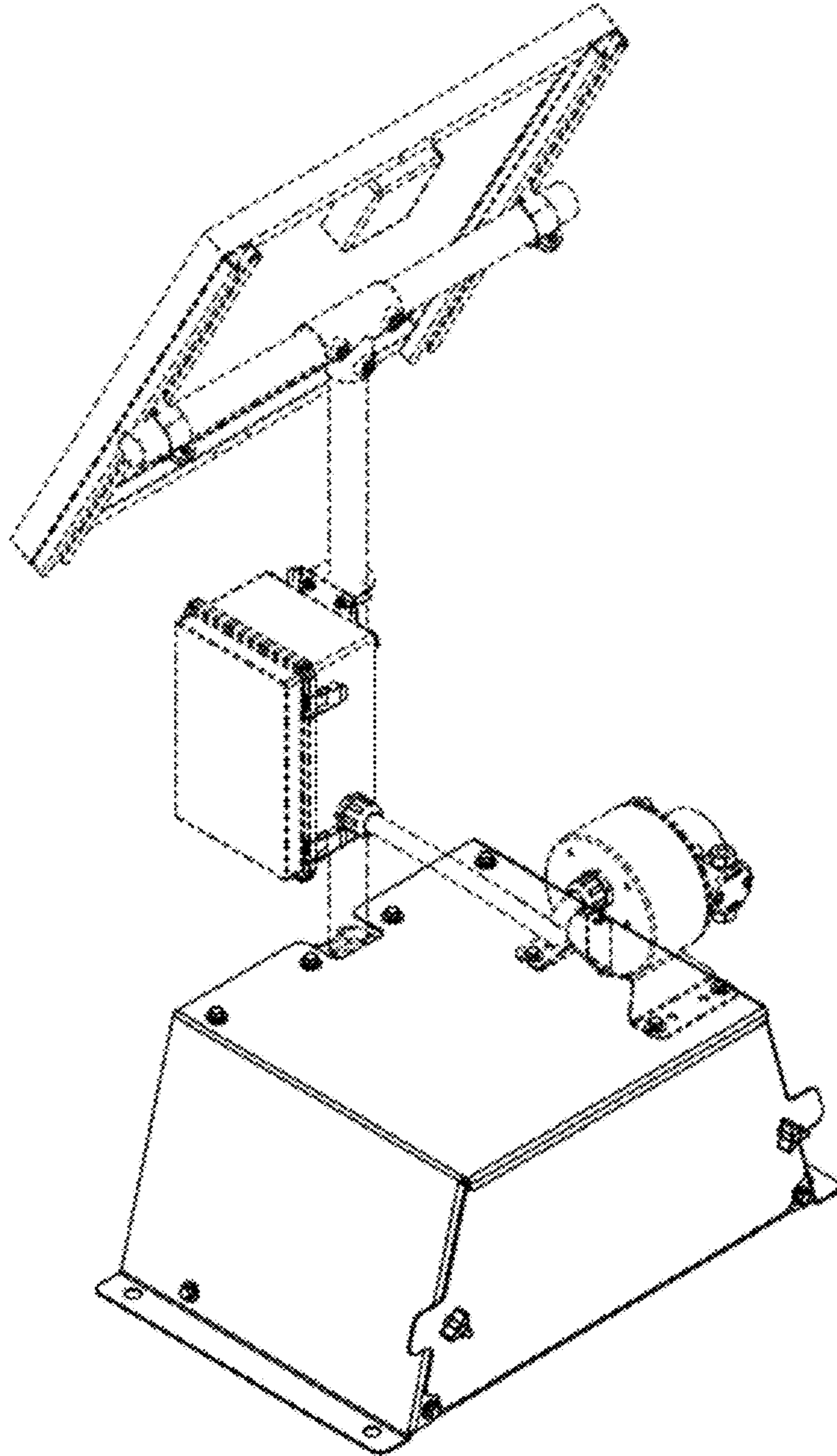


Figure 1

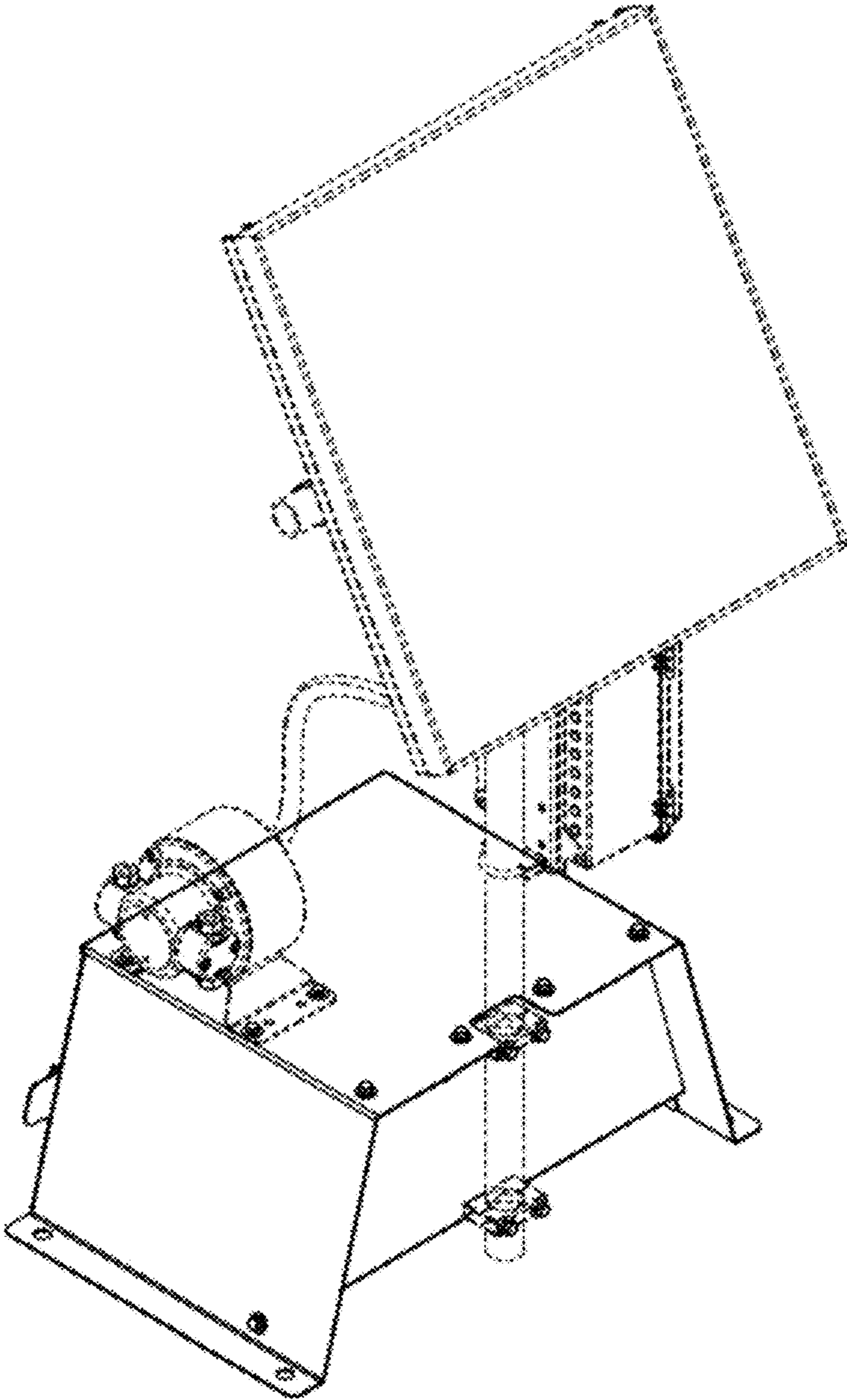


Figure 2

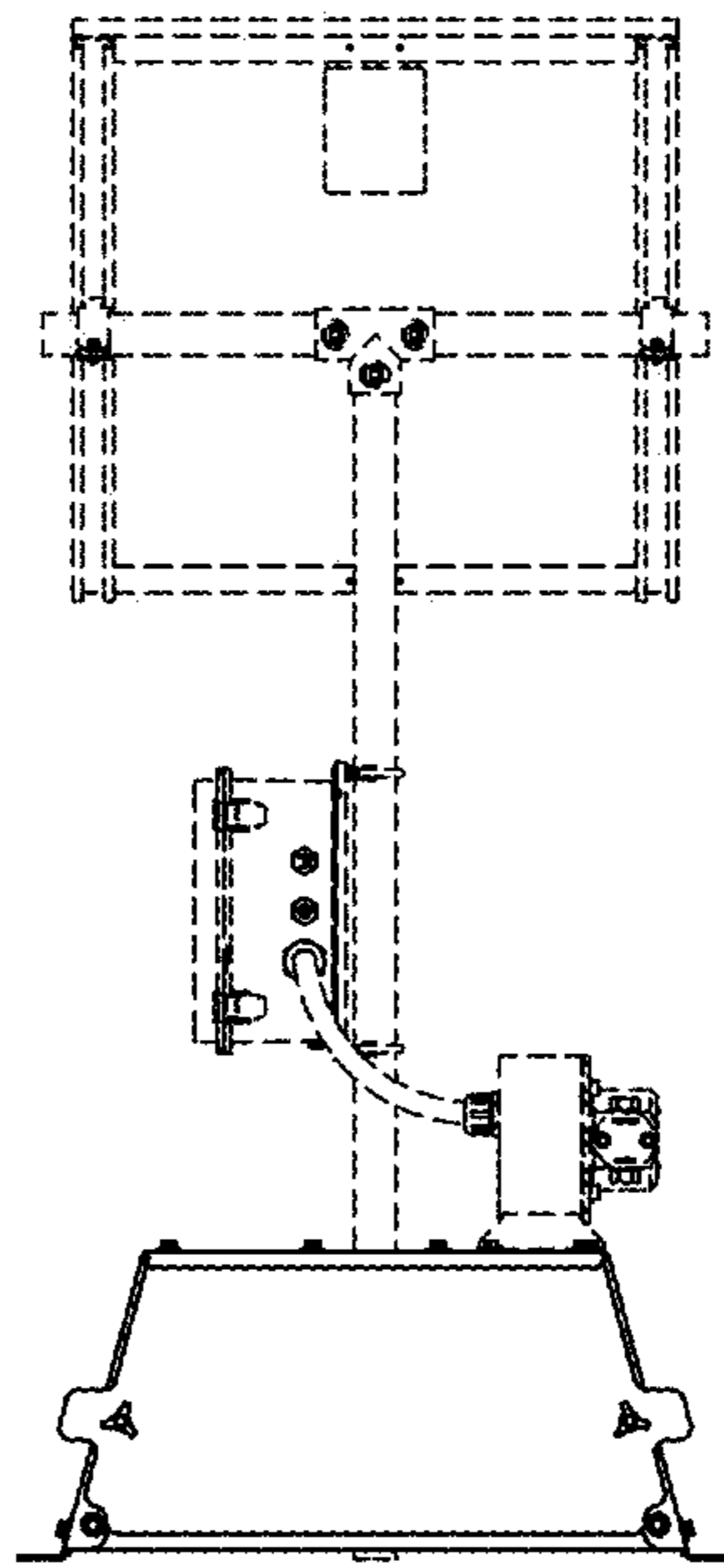


Figure 3

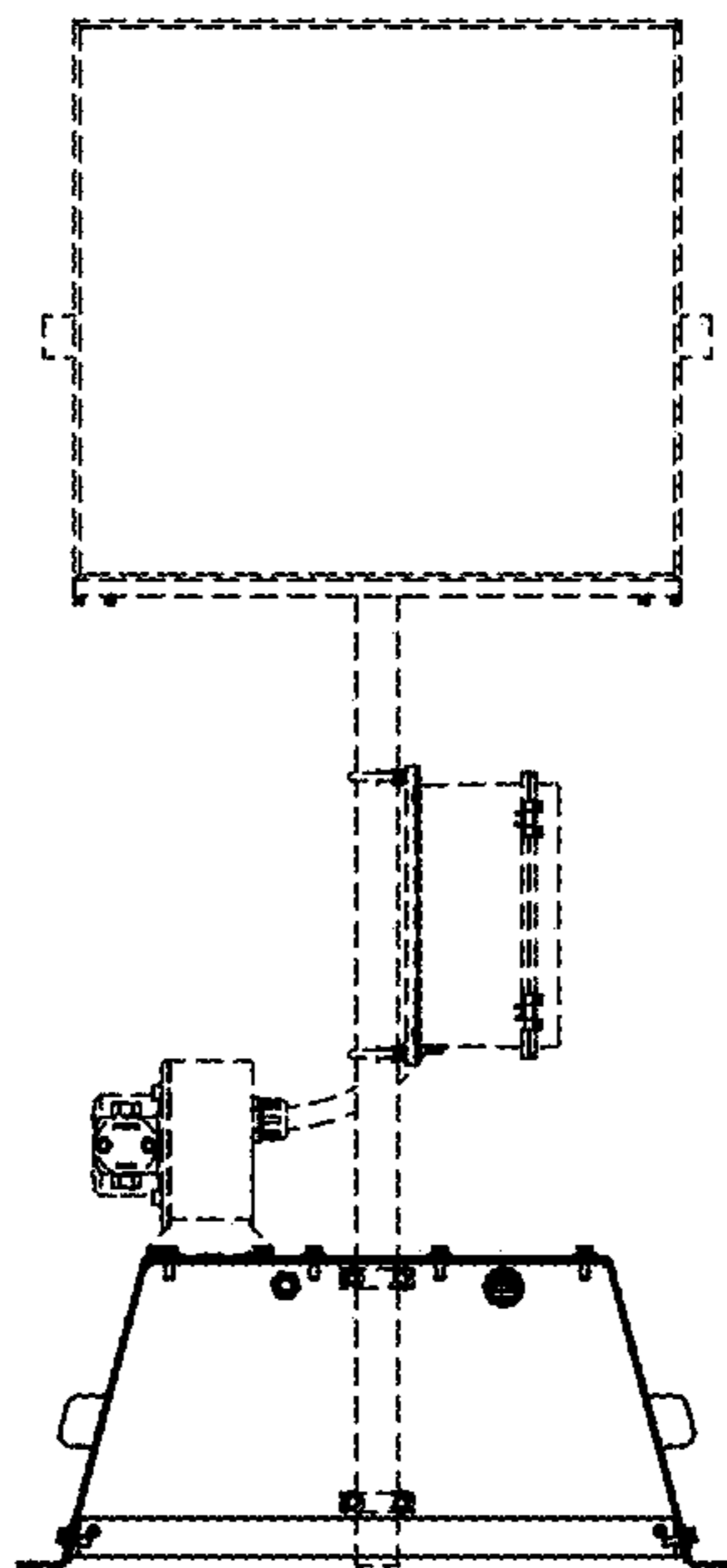


Figure 4

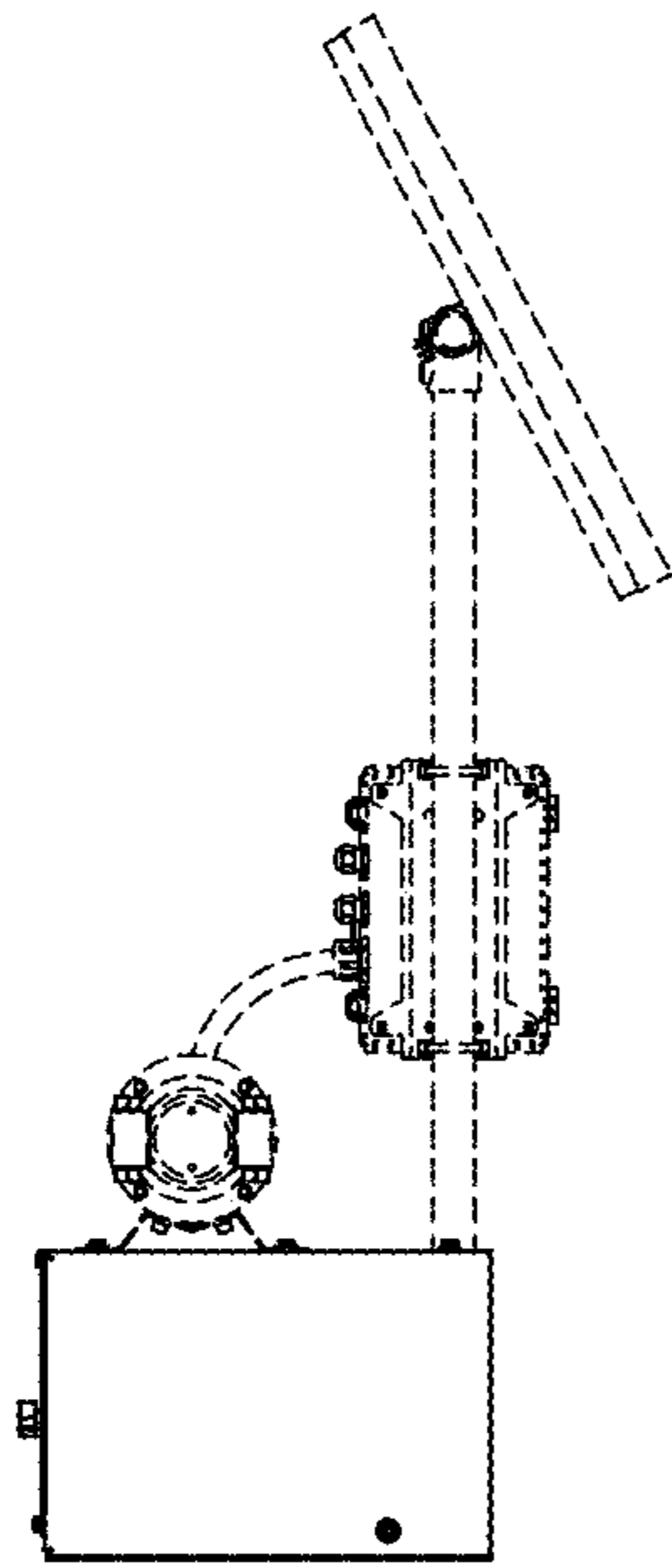


Figure 5

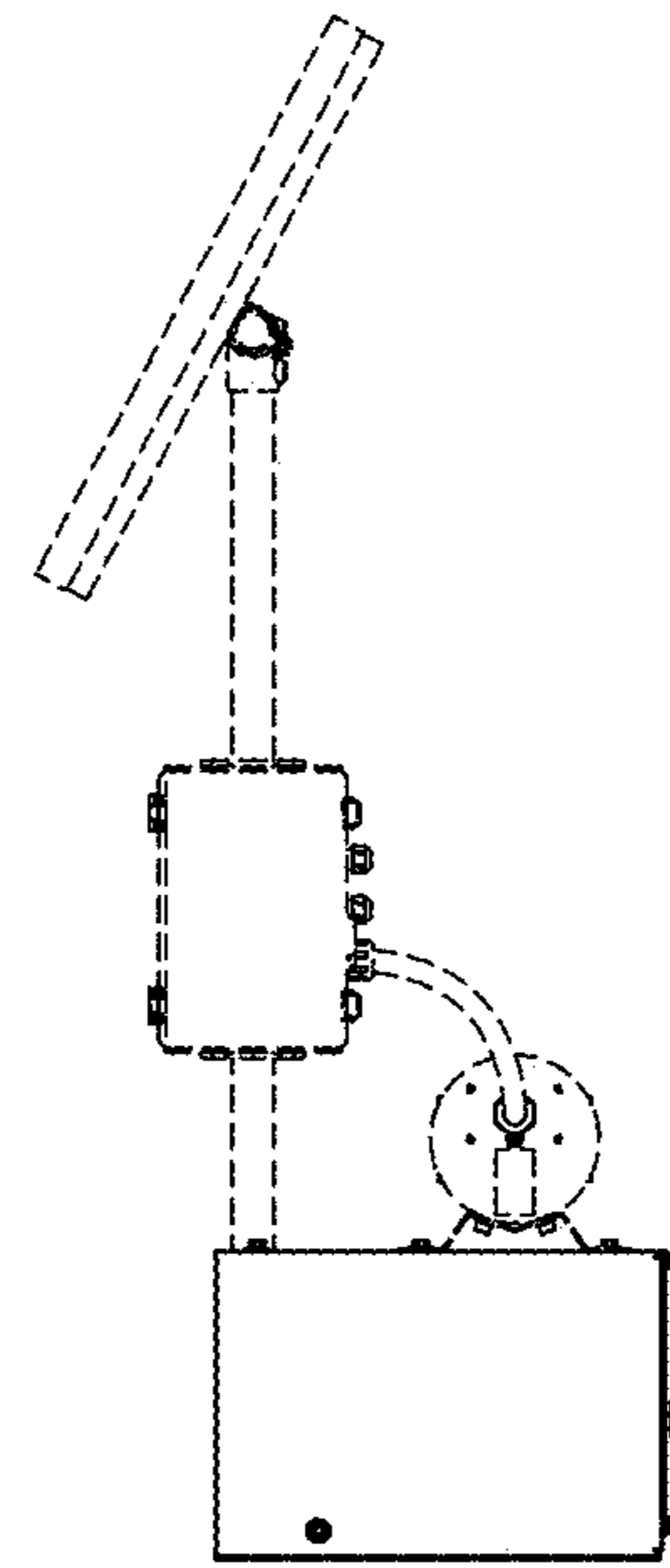


Figure 6

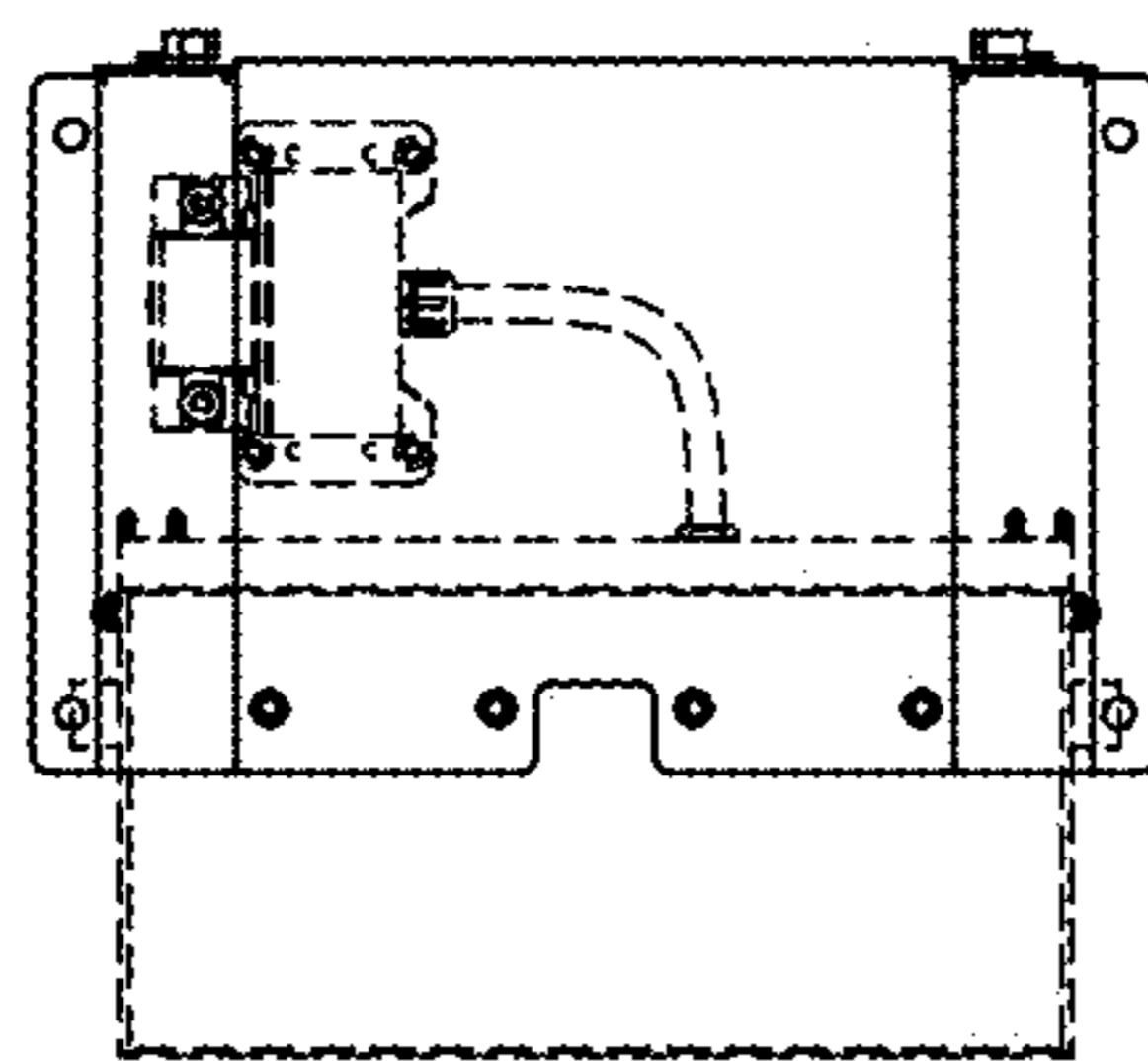


Figure 7