

US00D895533S

(12) **United States Design Patent**  
**Mizushima et al.**

(10) **Patent No.:** **US D895,533 S**

(45) **Date of Patent:** **\*\* Sep. 8, 2020**

(54) **AUTOMOBILE TIRE**

(71) Applicant: **THE YOKOHAMA RUBBER CO., LTD.**, Minato-ku, Tokyo (JP)

(72) Inventors: **Haruna Mizushima**, Hiratsuka (JP);  
**Makoto Ishii**, Tokyo (JP)

(73) Assignee: **THE YOKOHAMA RUBBER CO., LTD.**, Minato-ku, Tokyo (JP)

(\*\*) Term: **15 Years**

(21) Appl. No.: **29/694,828**

(22) Filed: **Jun. 13, 2019**

(30) **Foreign Application Priority Data**

Dec. 13, 2018 (JP) ..... 2018-027199

(51) **LOC (12) Cl.** ..... **12-15**

(52) **U.S. Cl.**  
USPC ..... **D12/518; D12/523**

(58) **Field of Classification Search**  
USPC ..... D12/514, 515, 517, 518, 519, 521, 523,  
D12/524, 527, 528, 531, 532  
CPC ..... B60C 3/06; B60C 9/17; B60C 11/0304  
See application file for complete search history.

(56) **References Cited**

**U.S. PATENT DOCUMENTS**

D619,080 S \* 7/2010 Woidtke ..... D12/519  
D670,232 S \* 11/2012 Leendertse ..... D12/514

D753,049 S \* 4/2016 Koishikawa ..... D12/523  
D772,785 S \* 11/2016 Kaneko ..... D12/519  
D786,773 S \* 5/2017 Raatikainen ..... D12/519  
D811,312 S \* 2/2018 Yaegashi ..... D12/523

\* cited by examiner

*Primary Examiner* — Robert M. Spear

(74) *Attorney, Agent, or Firm* — Banner & Witcoff, Ltd.

(57) **CLAIM**

The ornamental design for an automobile tire, as shown and described.

**DESCRIPTION**

FIG. 1 is a perspective view of an automobile tire showing our design;

FIG. 2 is a front view thereof;

FIG. 3 is a rear view thereof;

FIG. 4 is a right side view thereof;

FIG. 5 is a left side view thereof;

FIG. 6 is a top view thereof;

FIG. 7 is a bottom view thereof;

FIG. 8 is a partially enlarged view of a portion defined by lines 8-8 shown in FIG. 1;

FIG. 9 is a partially enlarged view of a portion defined by lines 9-9 shown in FIG. 2; and,

FIG. 10 is a cross sectional view of a portion defined by lines 10-10 shown in FIG. 9.

In the drawings, the broken lines depict environmental subject matter only and form no part of the claimed design.

The dot and dashed lines represents a boundary between the claimed portion and the non-claimed portion.

**1 Claim, 10 Drawing Sheets**

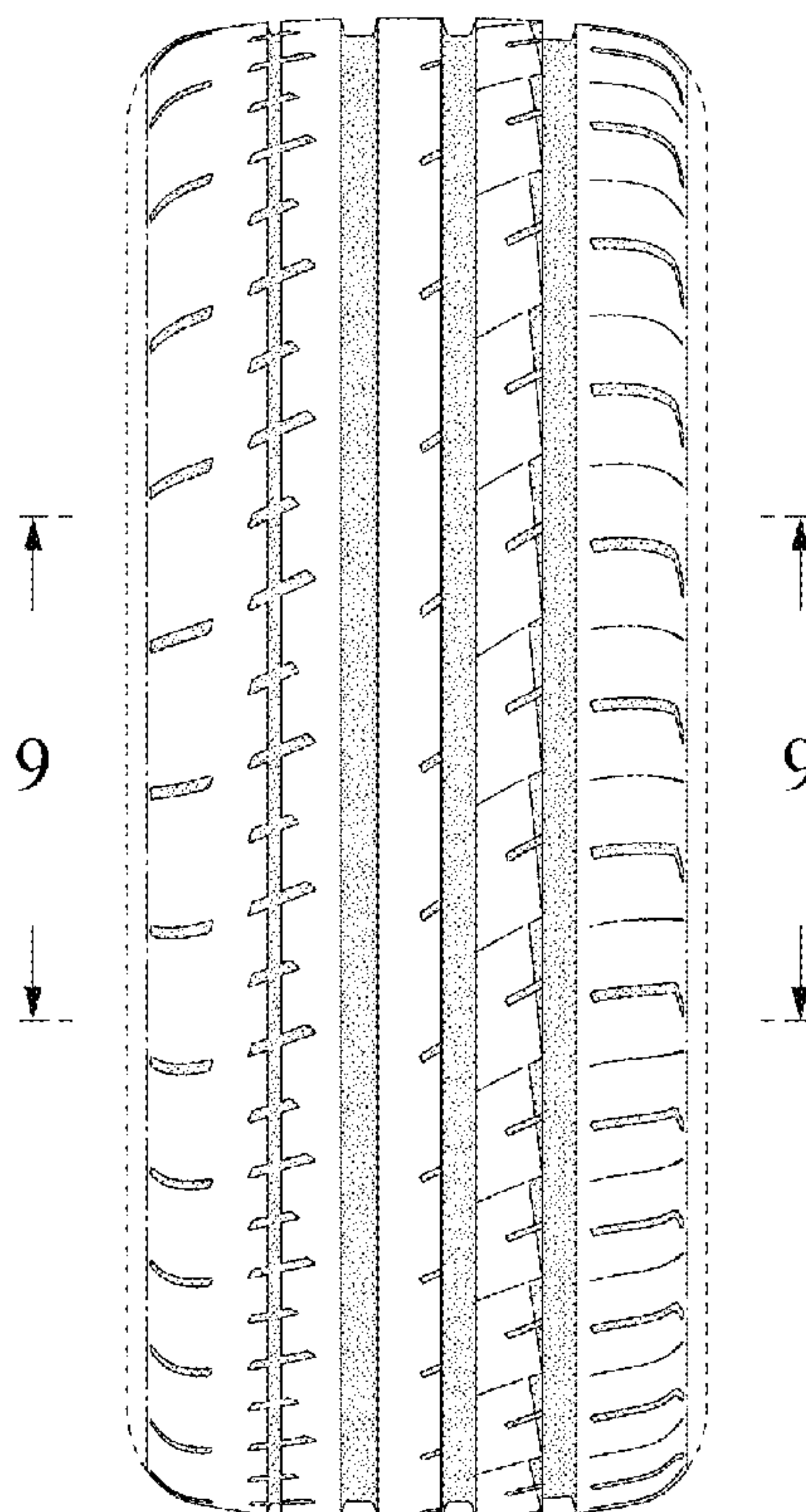
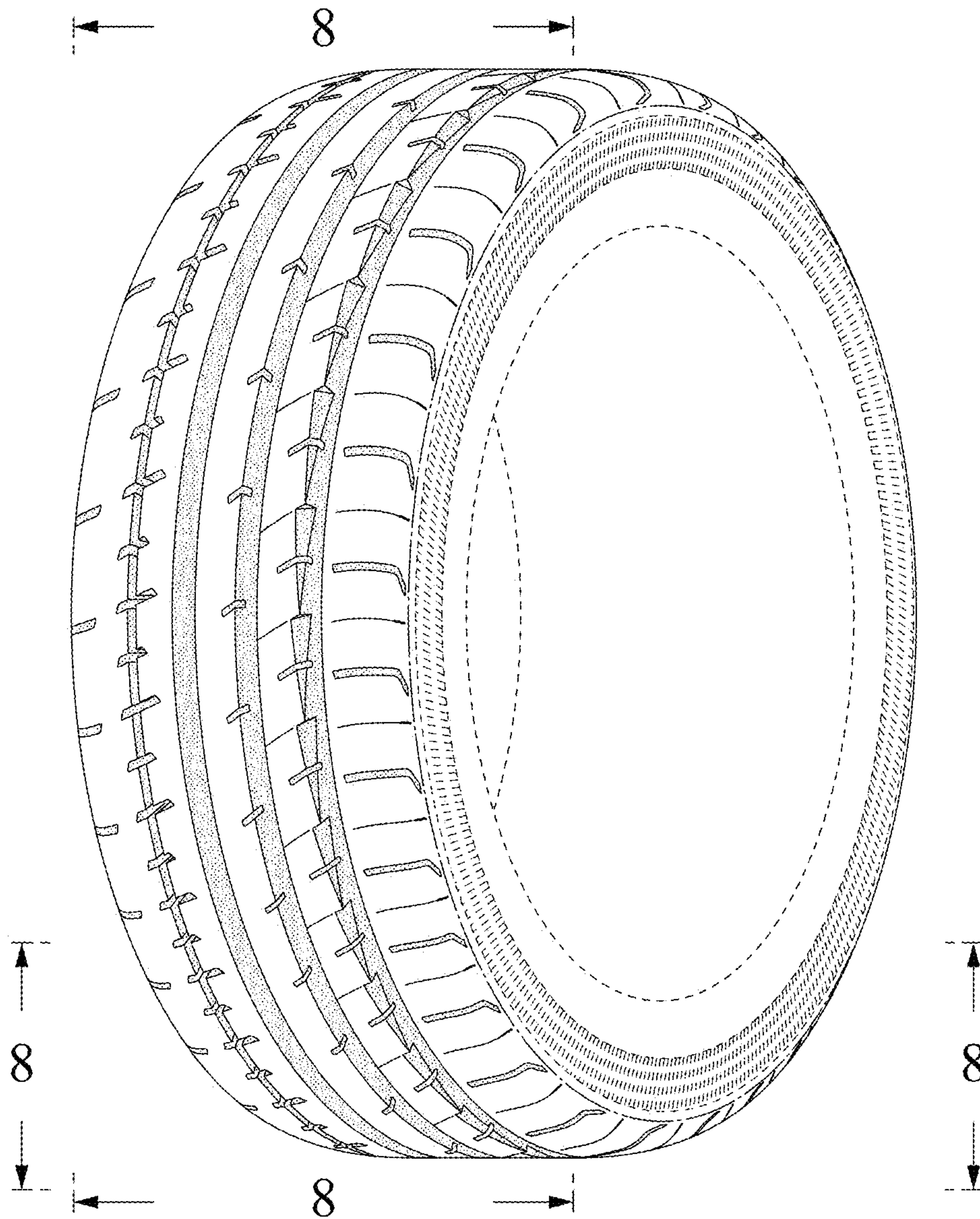
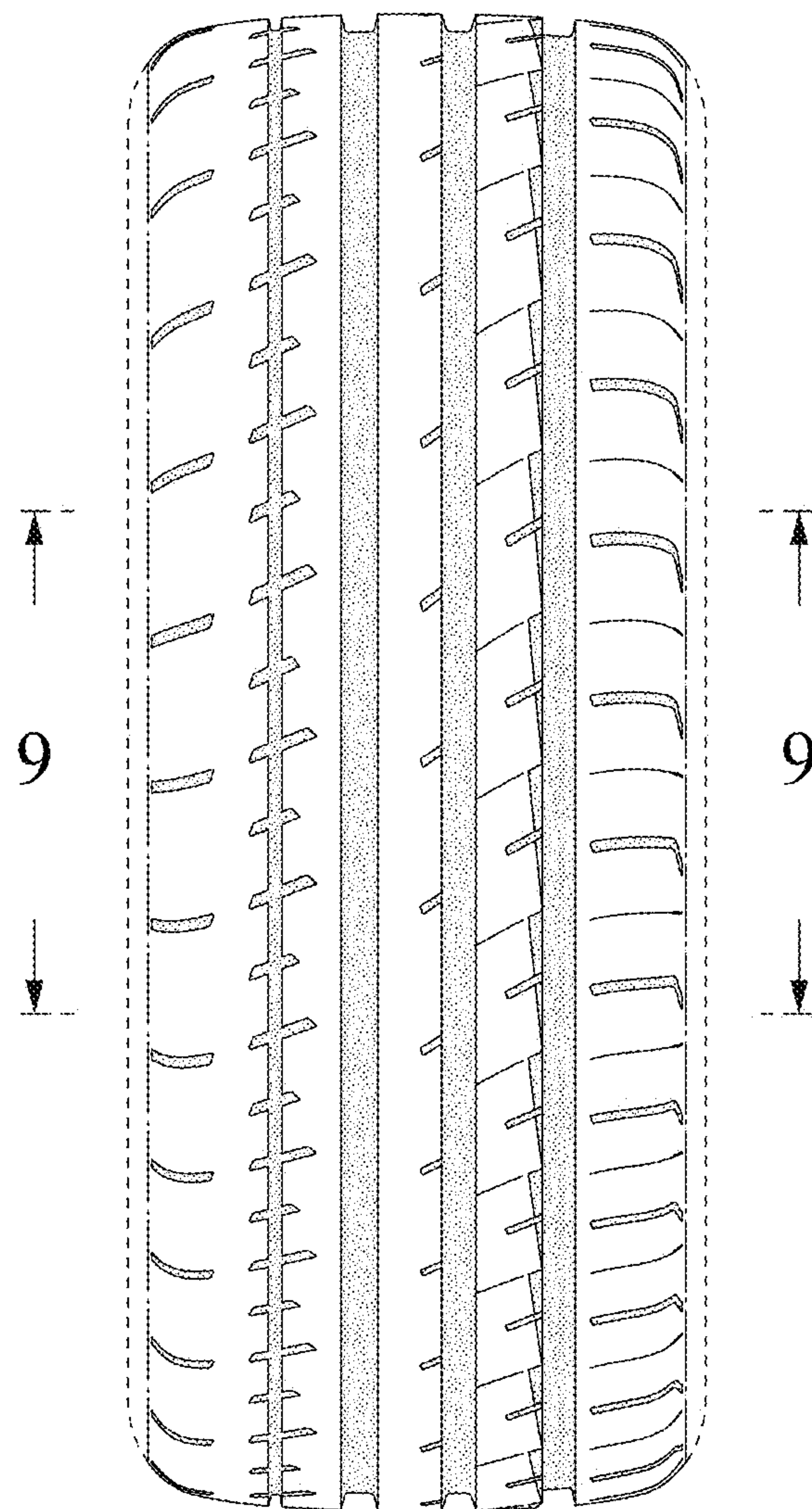


FIG. 1

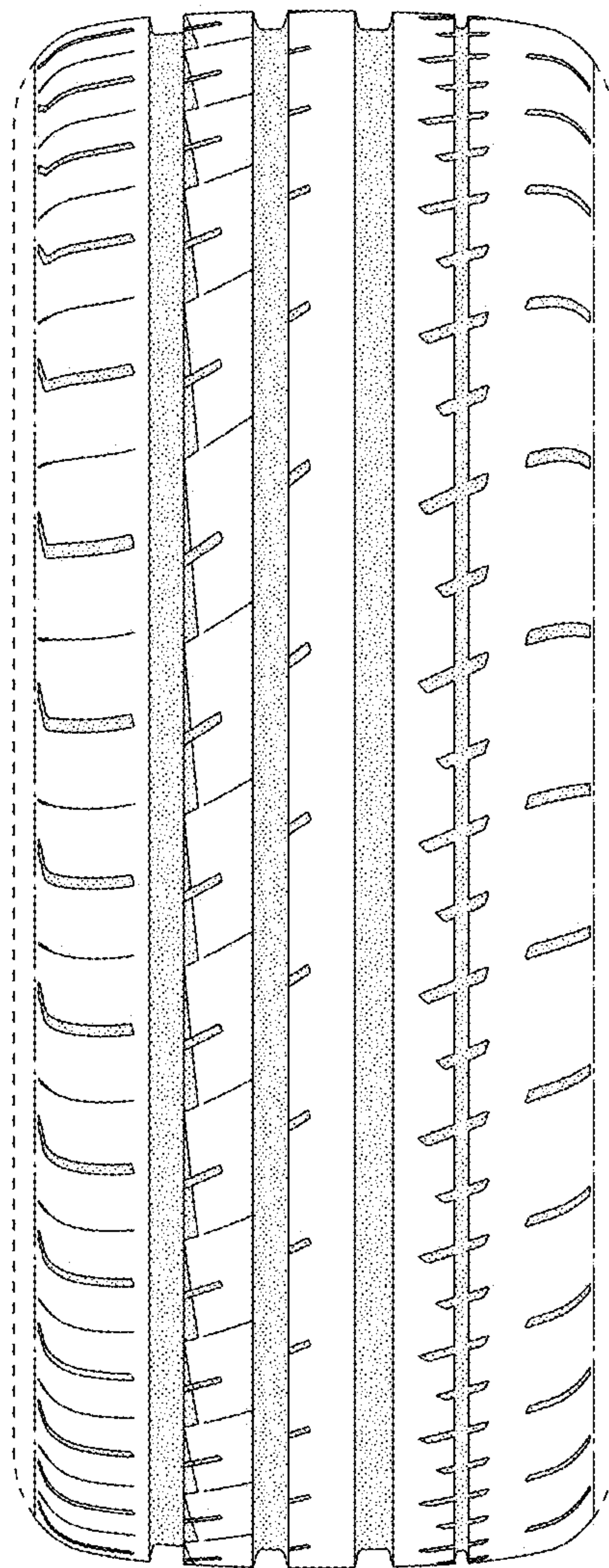


**FIG. 2**

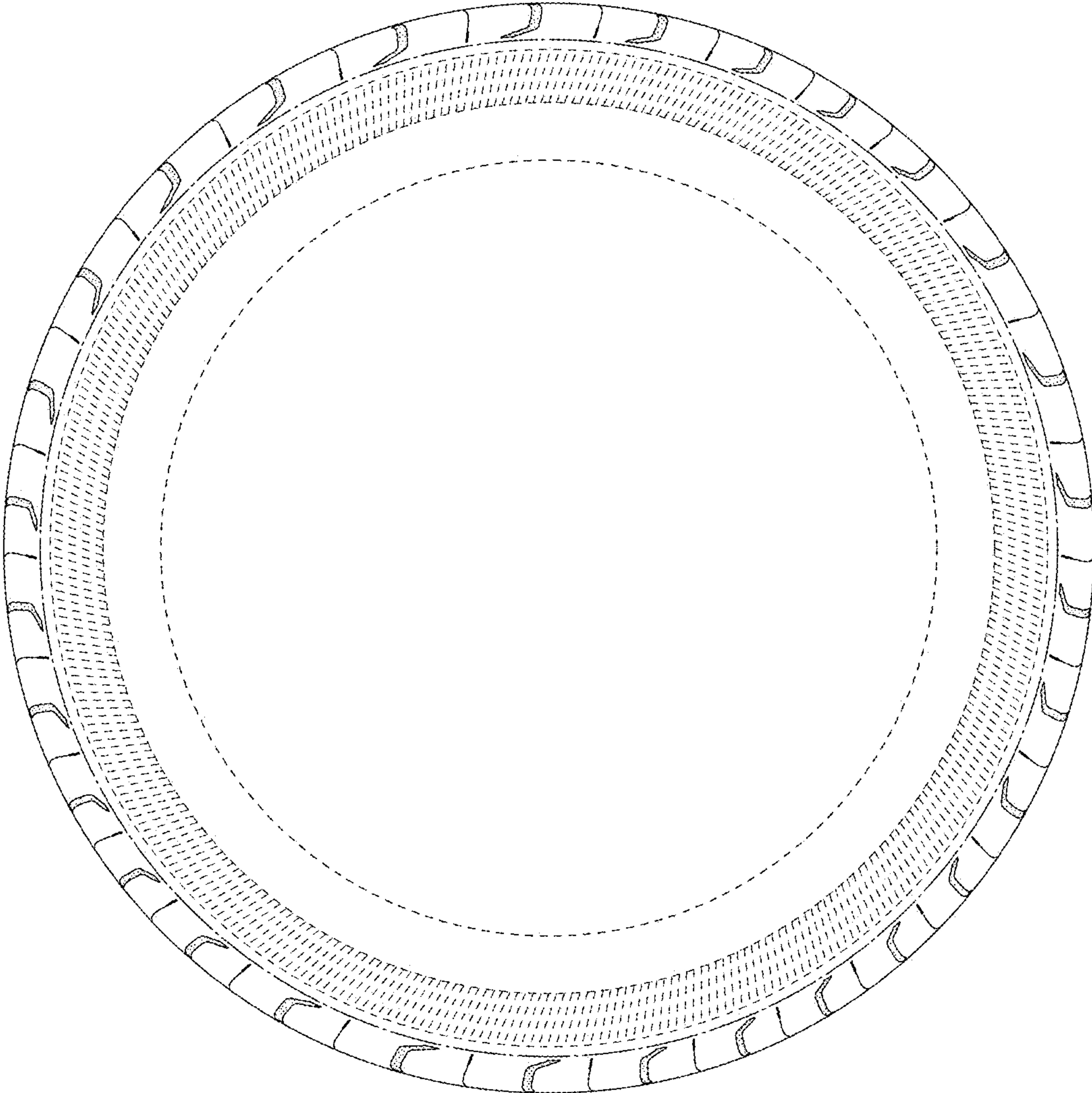




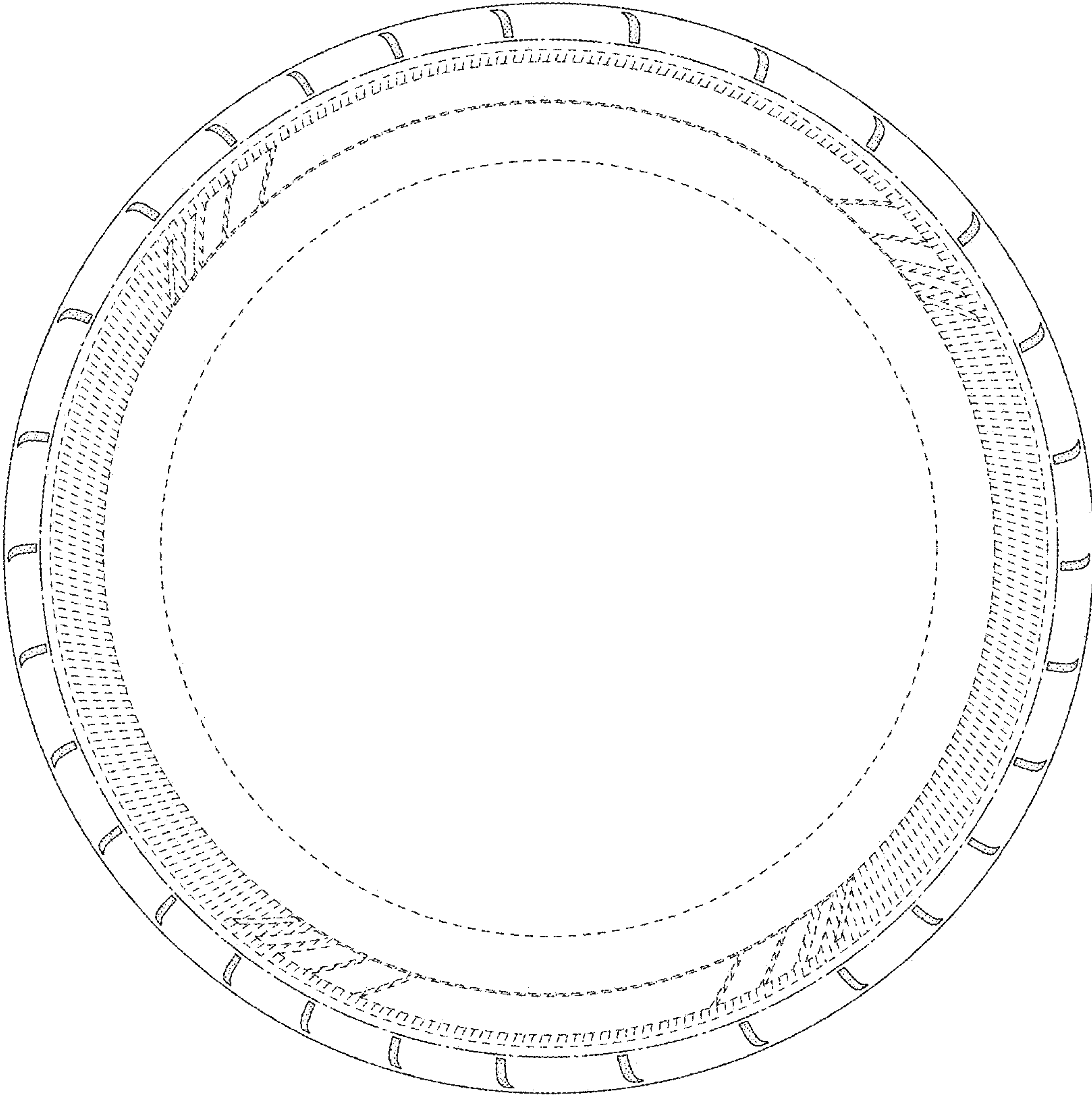
**FIG. 3**



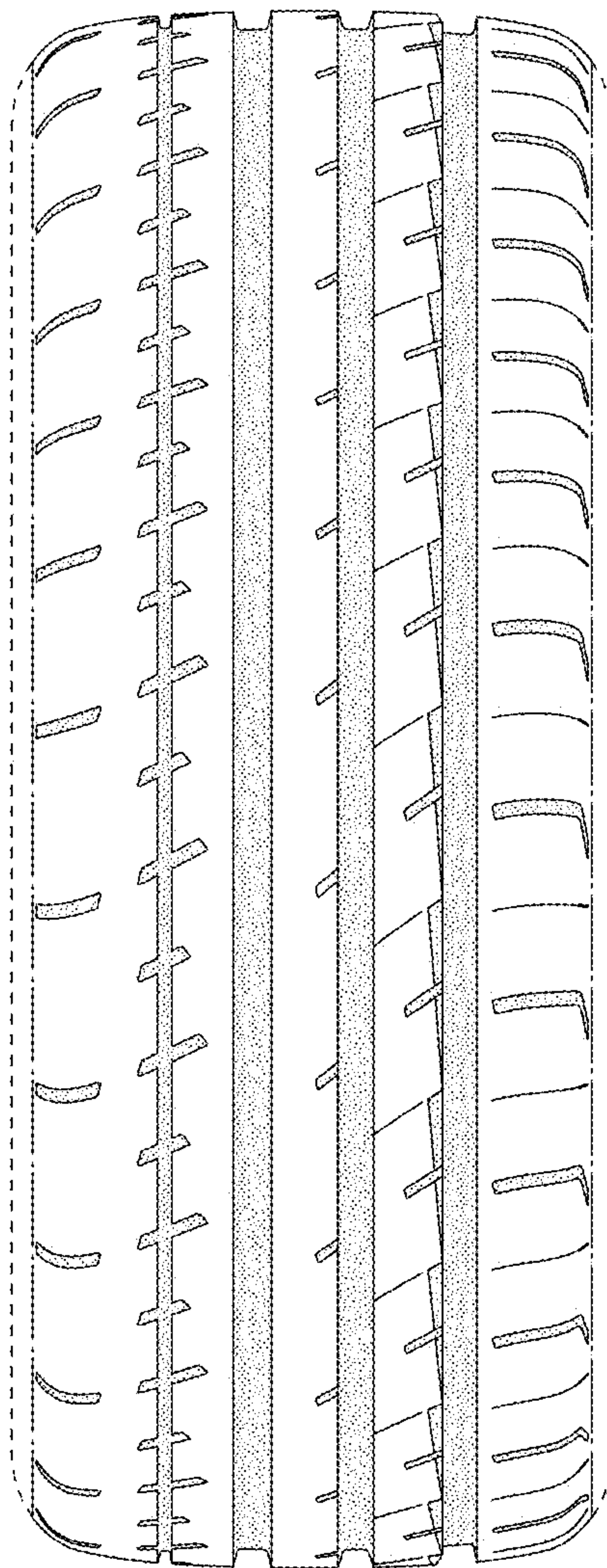
**FIG. 4**



**FIG. 5**

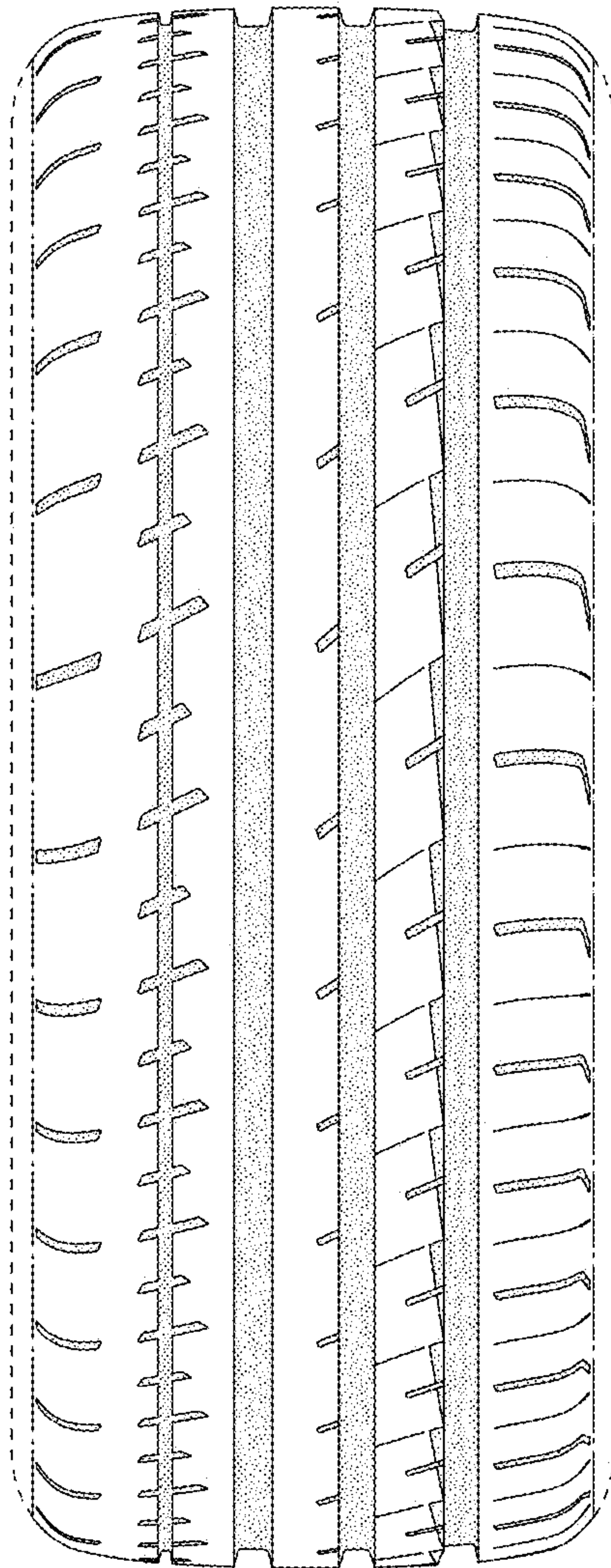


**FIG. 6**





**FIG. 7**





**FIG. 8**

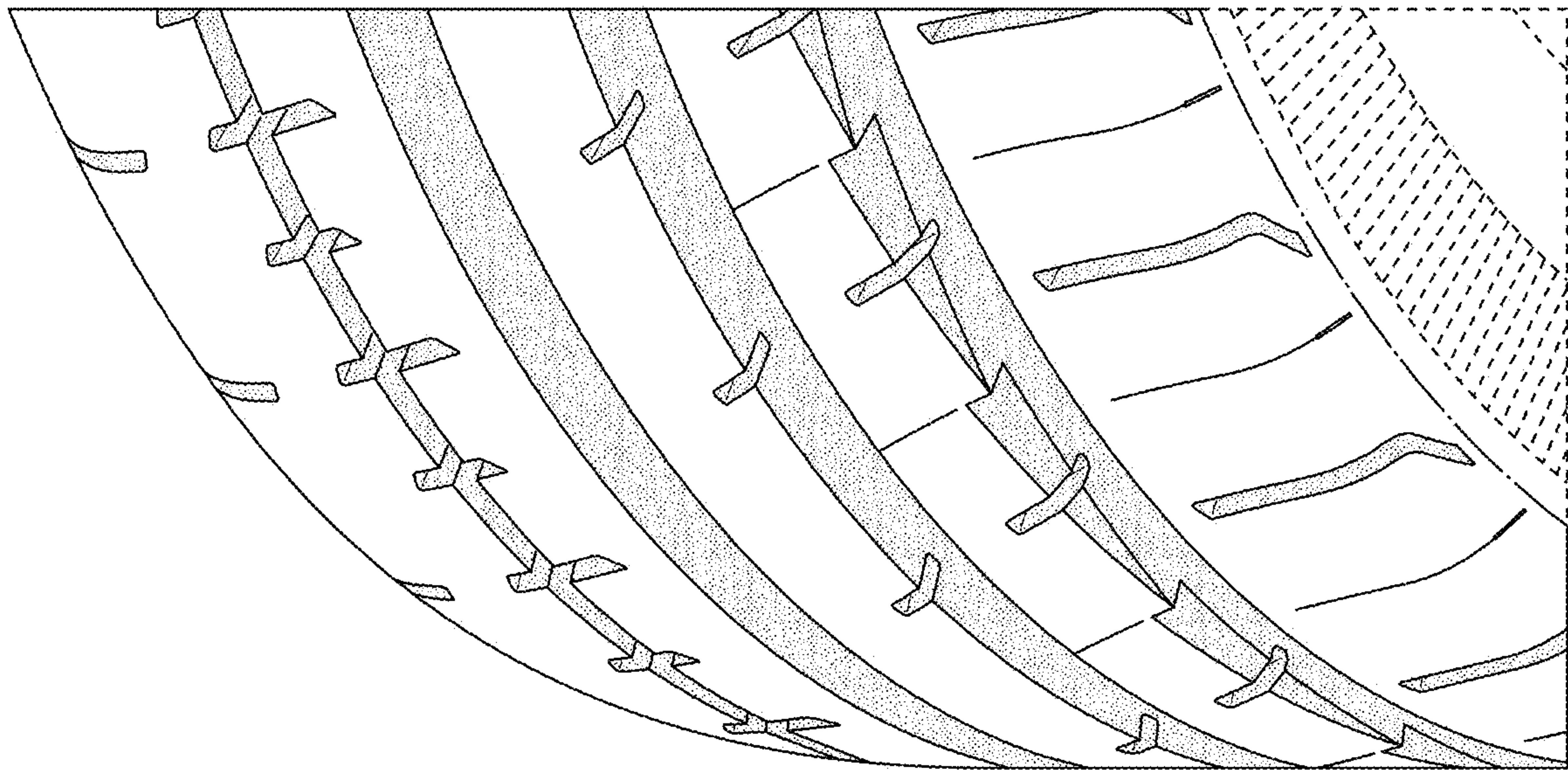
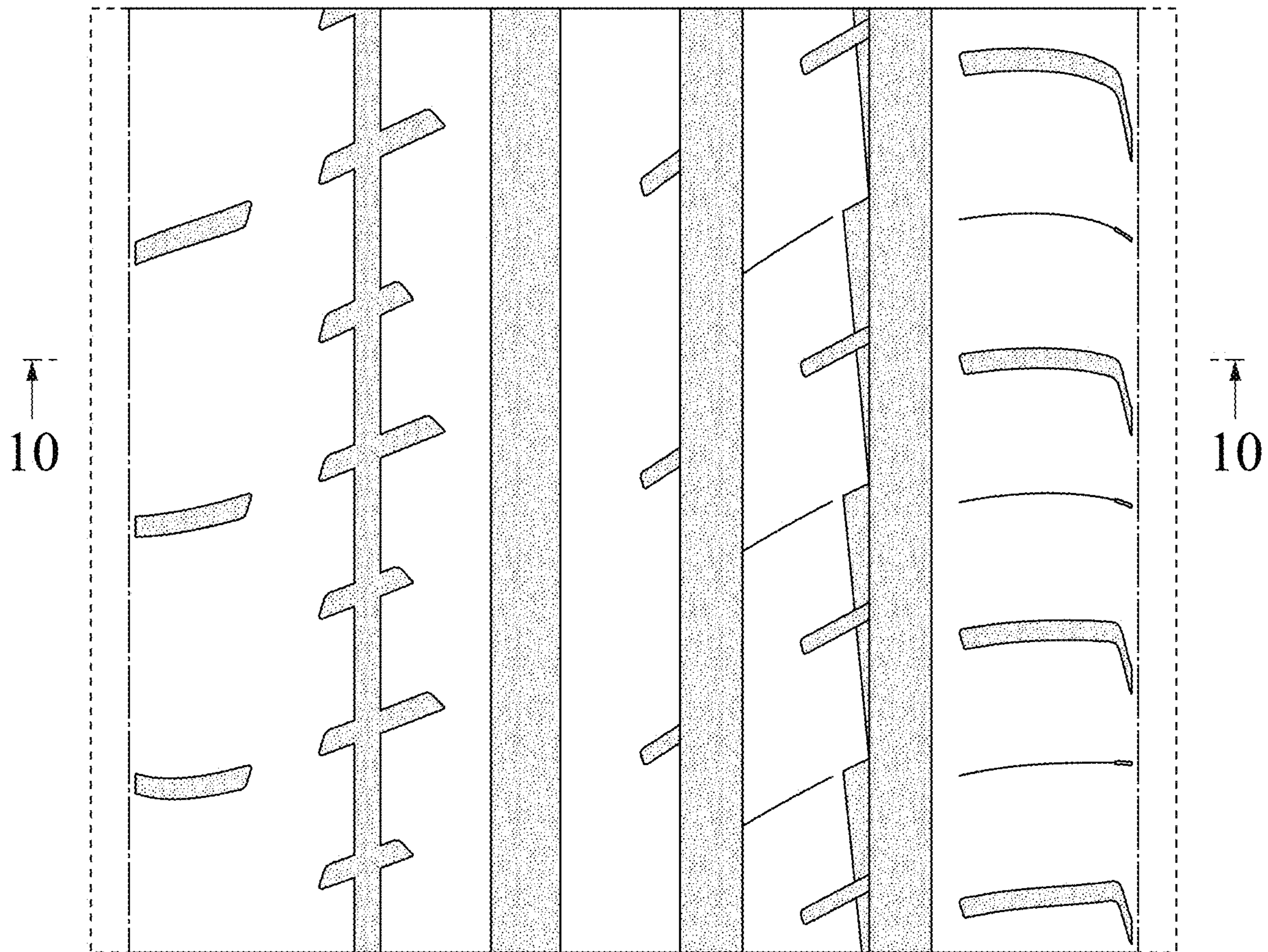


FIG. 9



**FIG. 10**

