



US00D895529S

(12) **United States Design Patent**
Chang

(10) **Patent No.:** **US D895,529 S**

(45) **Date of Patent:** **** Sep. 8, 2020**

- (54) **VEHICLE ROOF RACK CLAMPER**
- (71) Applicant: **STRONA INDUSTRIAL INC.,**
Kaohsiung (TW)
- (72) Inventor: **Pu-Lun Chang,** Kaohsiung (TW)
- (73) Assignee: **STRONA INDUSTRIAL INC.,**
Kaohsiung (TW)
- (**) Term: **15 Years**
- (21) Appl. No.: **29/684,632**
- (22) Filed: **Mar. 22, 2019**
- (51) **LOC (12) Cl.** **12-16**
- (52) **U.S. Cl.**
USPC **D12/412**
- (58) **Field of Classification Search**
USPC D12/412, 406, 413, 414, 414.1; D6/552;
D3/304-306; D34/32
CPC B60R 9/04; B60R 9/048; B60R 9/045
See application file for complete search history.

- D709,818 S * 7/2014 Zhang D12/412
- D758,256 S * 6/2016 Cropley D12/412
- D831,562 S * 10/2018 Salsi D12/412
- D834,496 S * 11/2018 Deyaf D12/412
- D879,012 S * 3/2020 Guo D12/412
- D881,792 S * 4/2020 Tang D12/412
- D885,304 S * 5/2020 Eriksson D12/414

* cited by examiner

Primary Examiner — Katrina A Betton

(74) *Attorney, Agent, or Firm* — WPAT, PC

(57) **CLAIM**

The ornamental design for a vehicle roof rack clamper, as shown and described.

DESCRIPTION

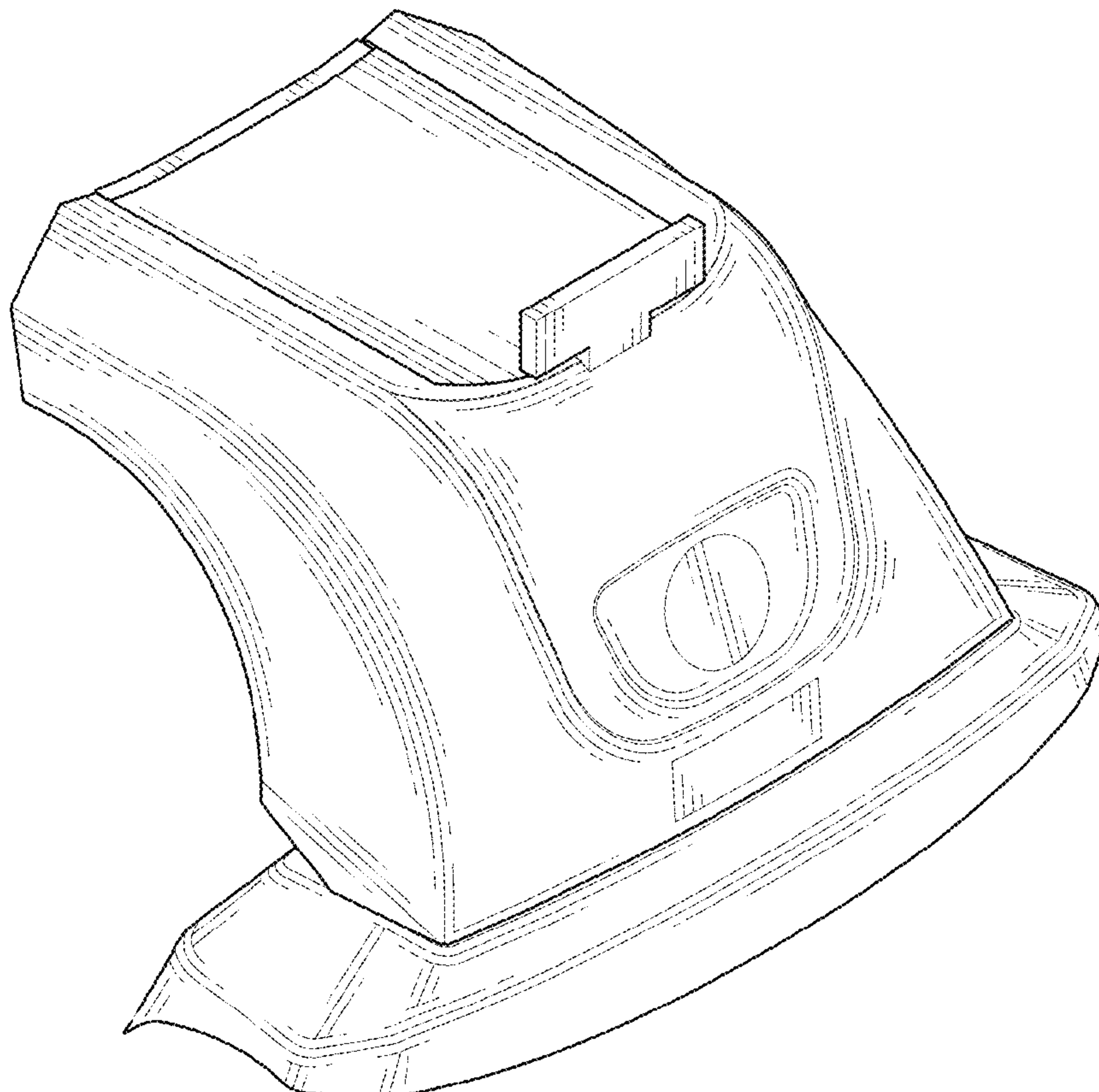
FIG. 1 is a perspective view of a “vehicle roof rack clamper” showing my design;
 FIG. 2 is a front view thereof;
 FIG. 3 is a rear view thereof;
 FIG. 4 is a left view thereof;
 FIG. 5 is a right view thereof;
 FIG. 6 is a top view thereof;
 FIG. 7 is a bottom view thereof;
 FIG. 8 is a use schematics view of a vehicle roof rack clamper; and,
 FIG. 9 is another use schematics view of two vehicle roof rack clampers.
 In the drawings, the broken lines in FIGS. 8 and 9 depict portions of a vehicle and form no part of the claimed design.

(56) **References Cited**

U.S. PATENT DOCUMENTS

- D497,589 S * 10/2004 Elwell D12/414
- D499,372 S * 12/2004 Andersson D12/414
- D669,017 S * 10/2012 Robertson D12/412
- D694,170 S * 11/2013 Eriksson D12/414

1 Claim, 9 Drawing Sheets



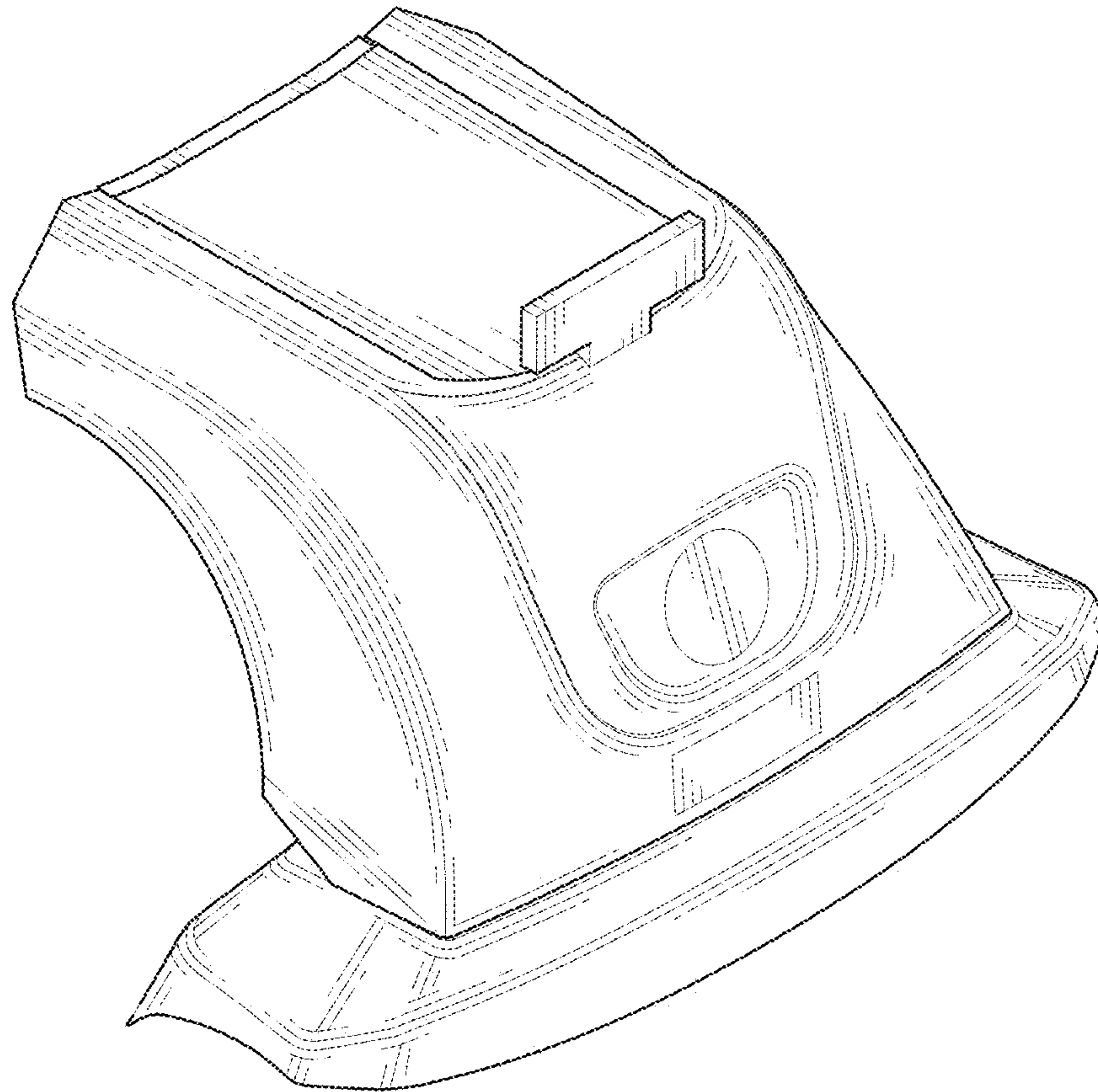


FIG. 1

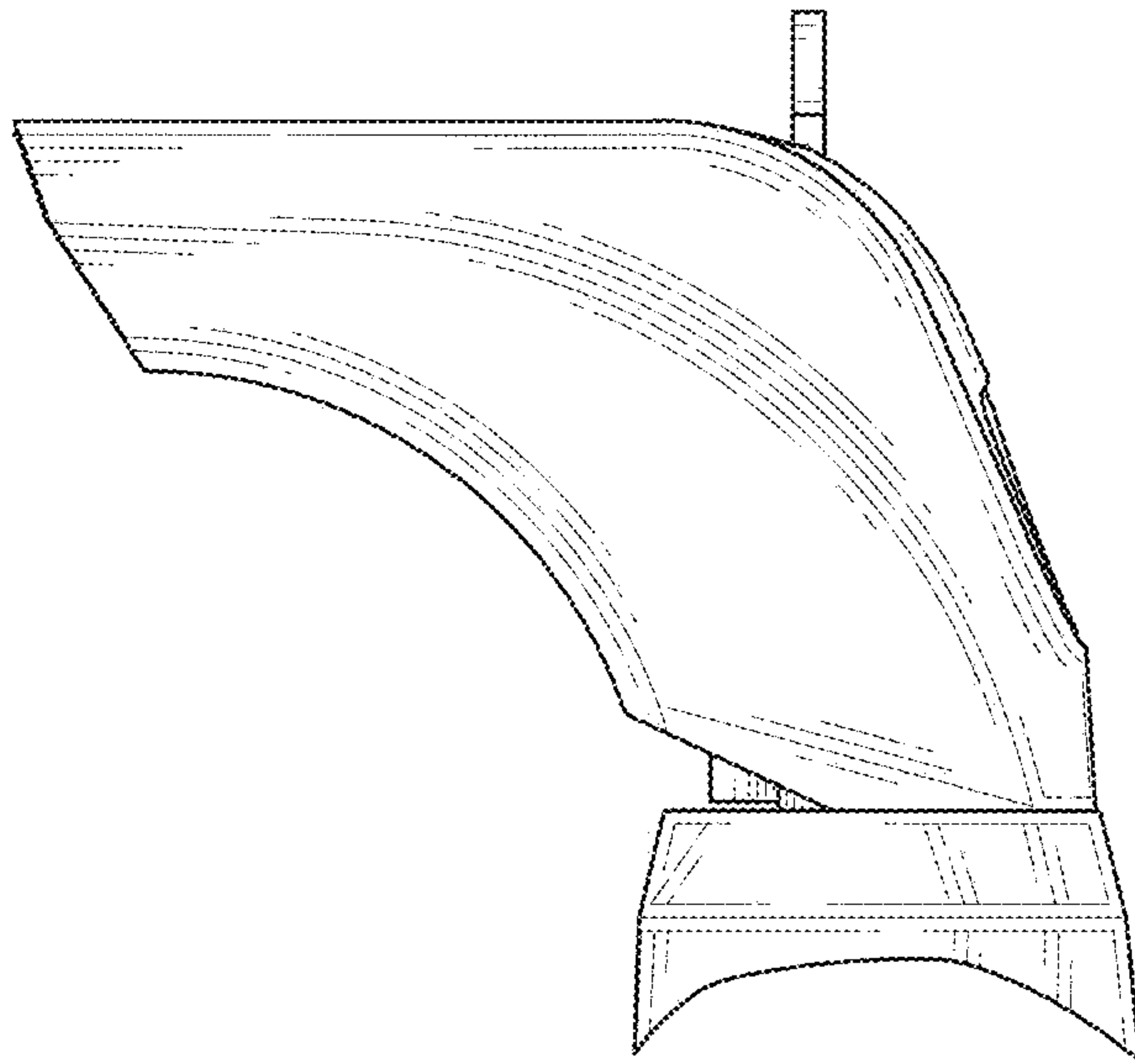


FIG. 2

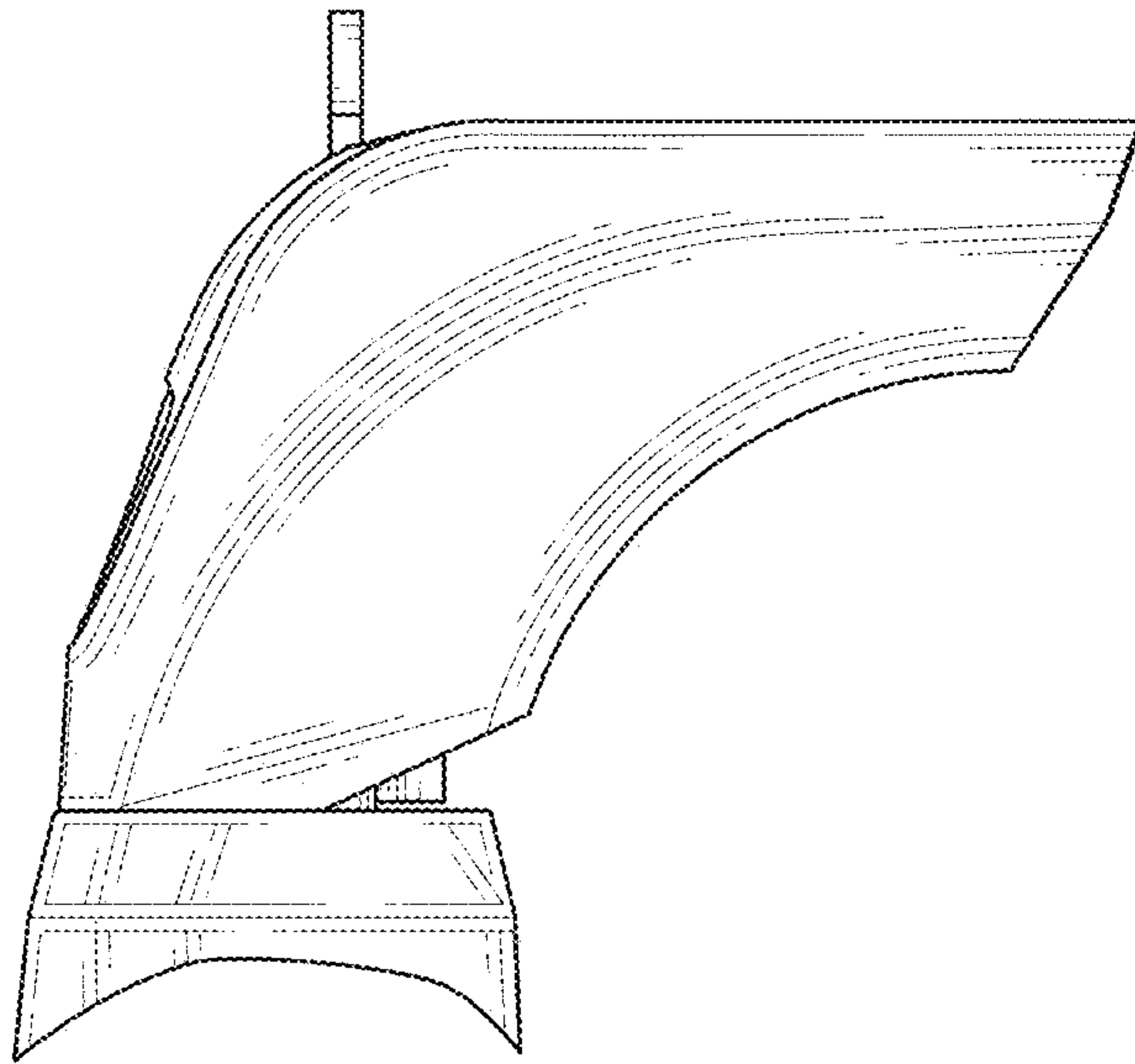


FIG. 3

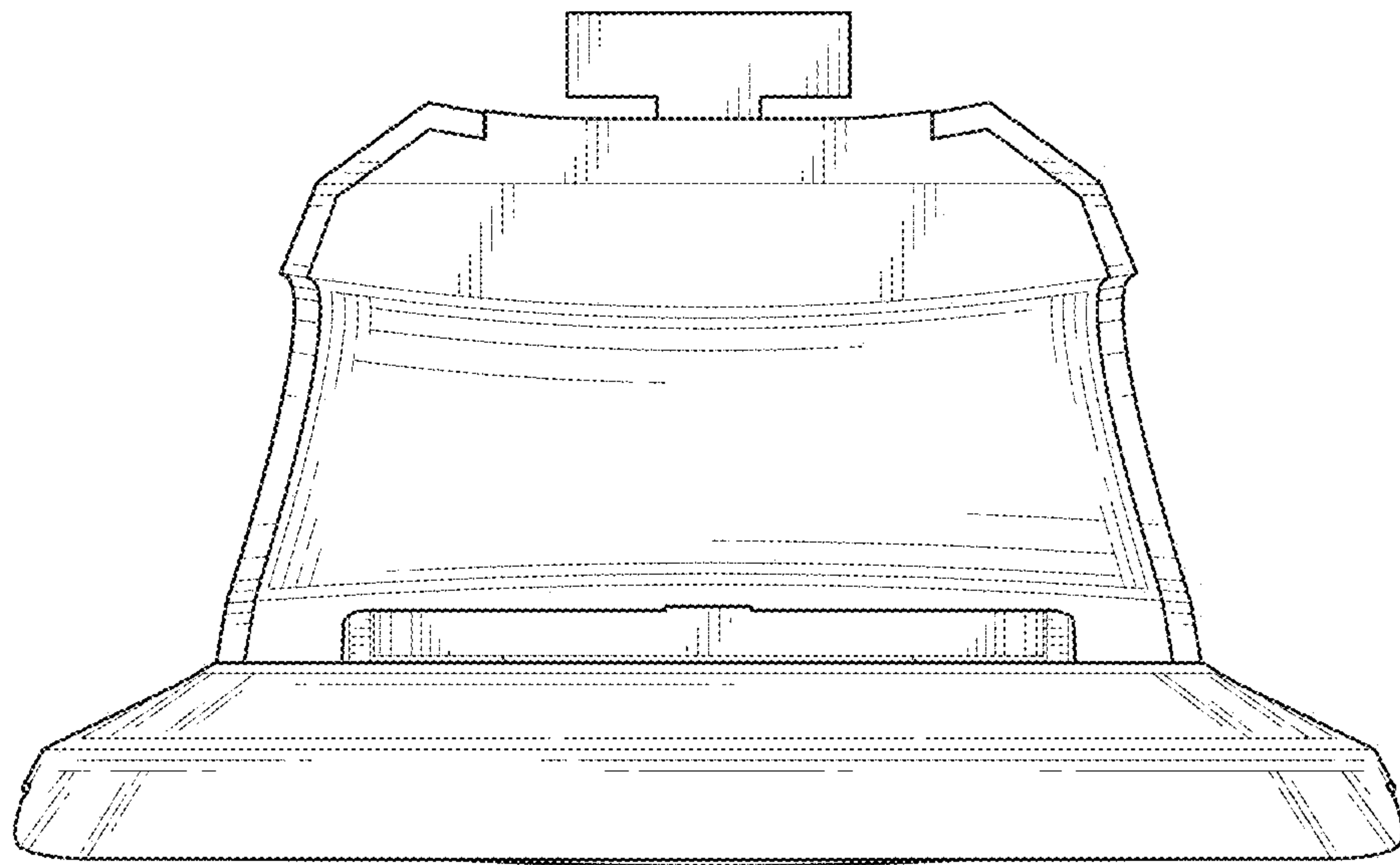


FIG. 4

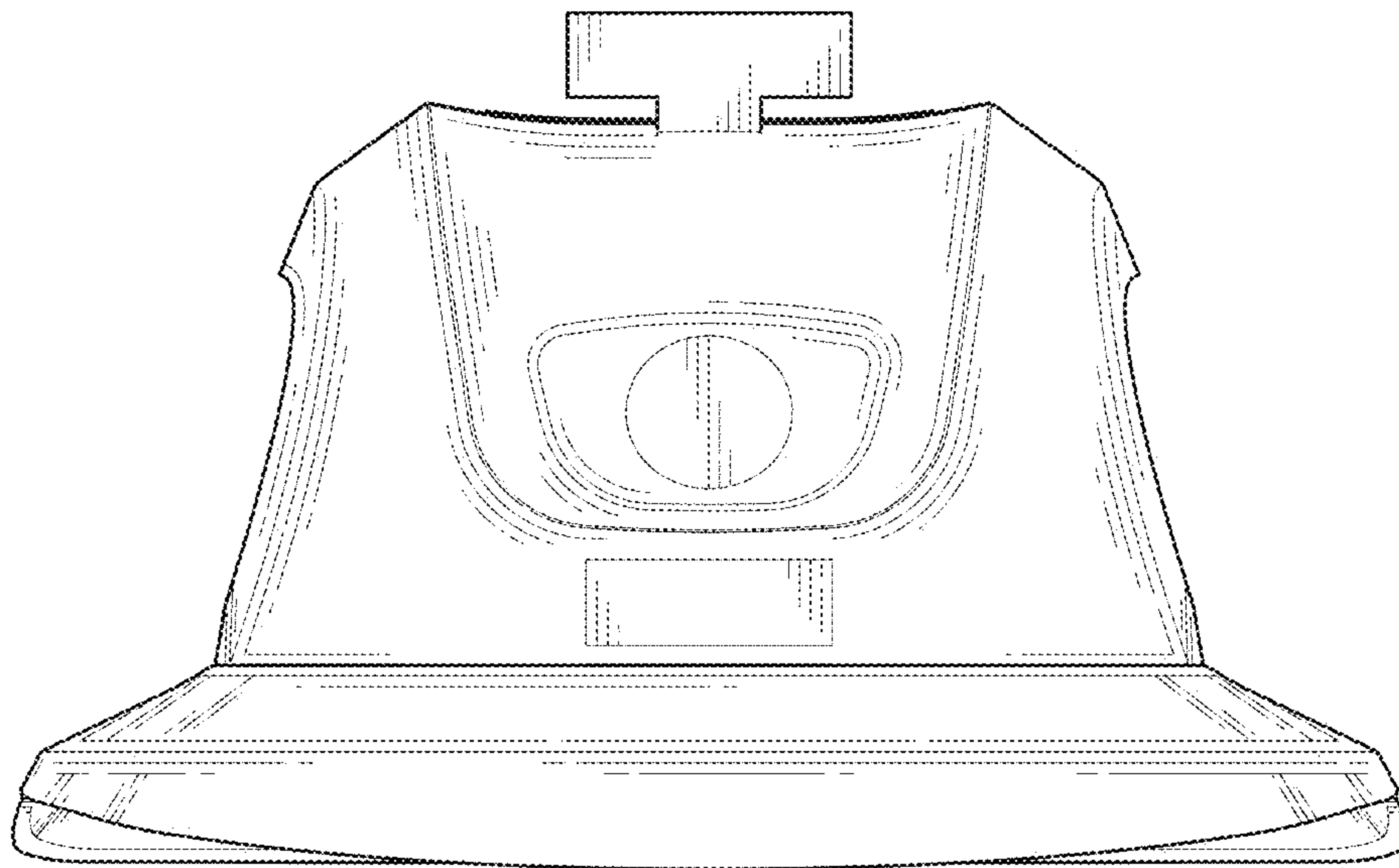


FIG. 5

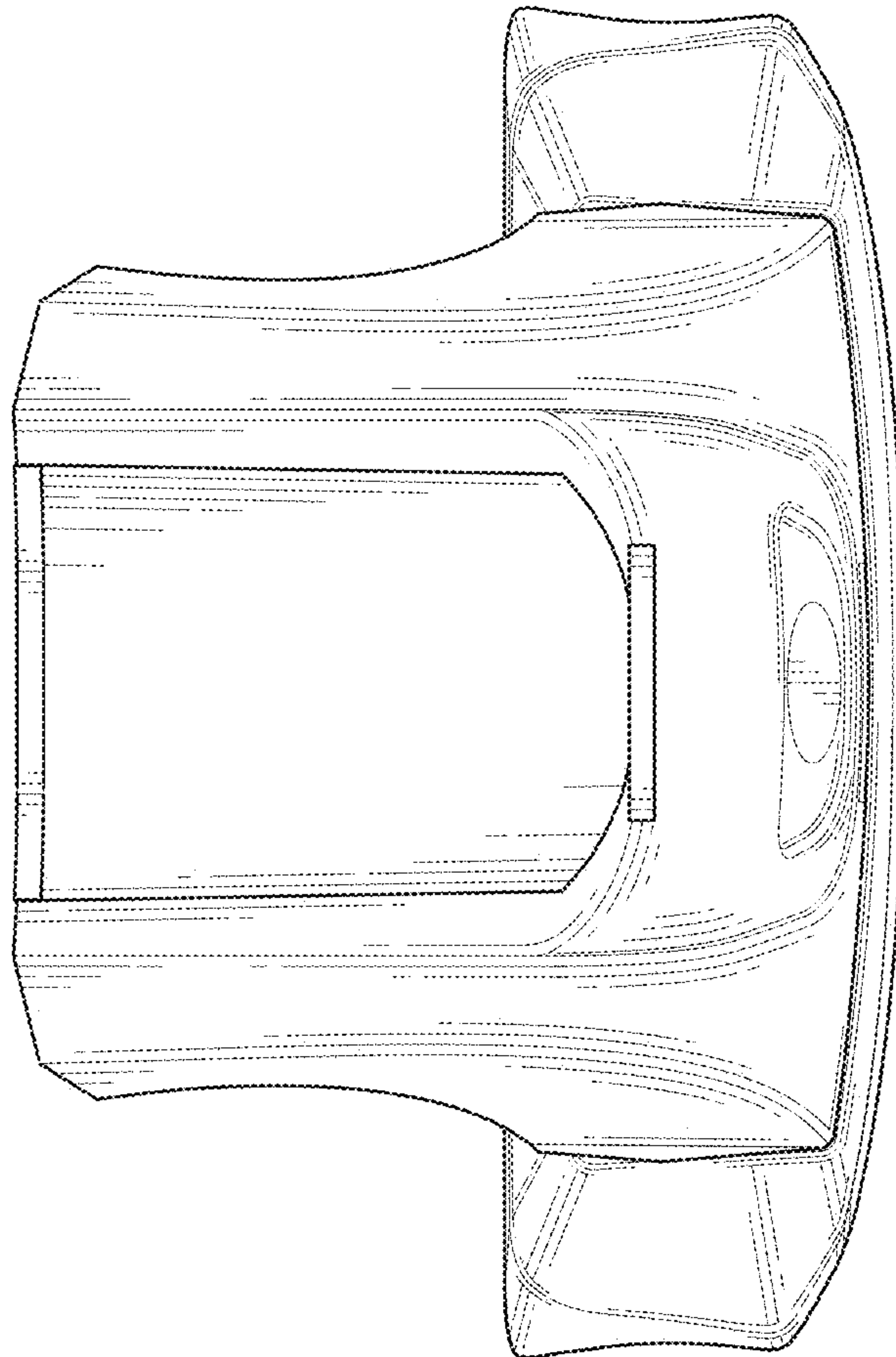


FIG. 6

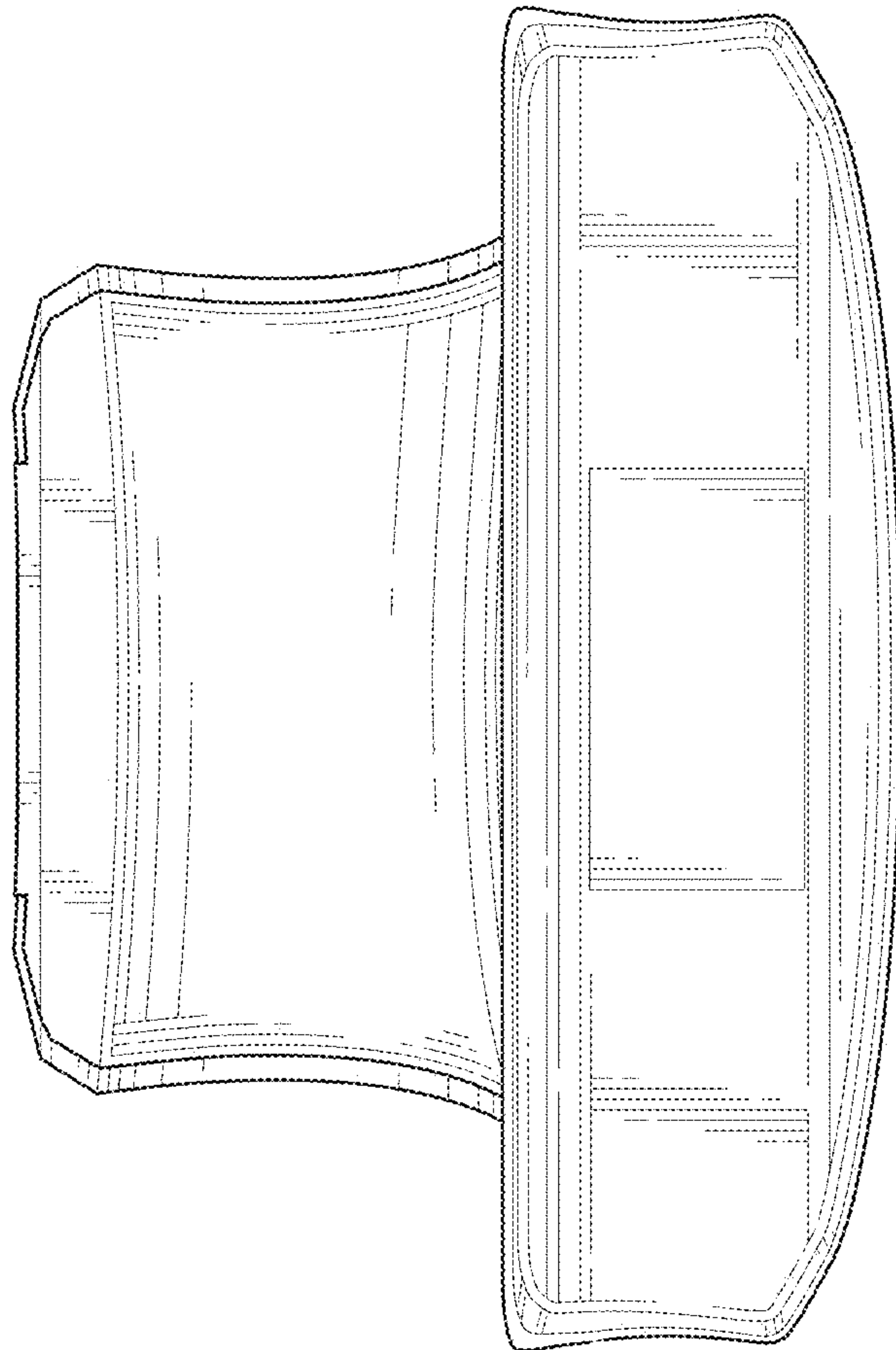


FIG. 7

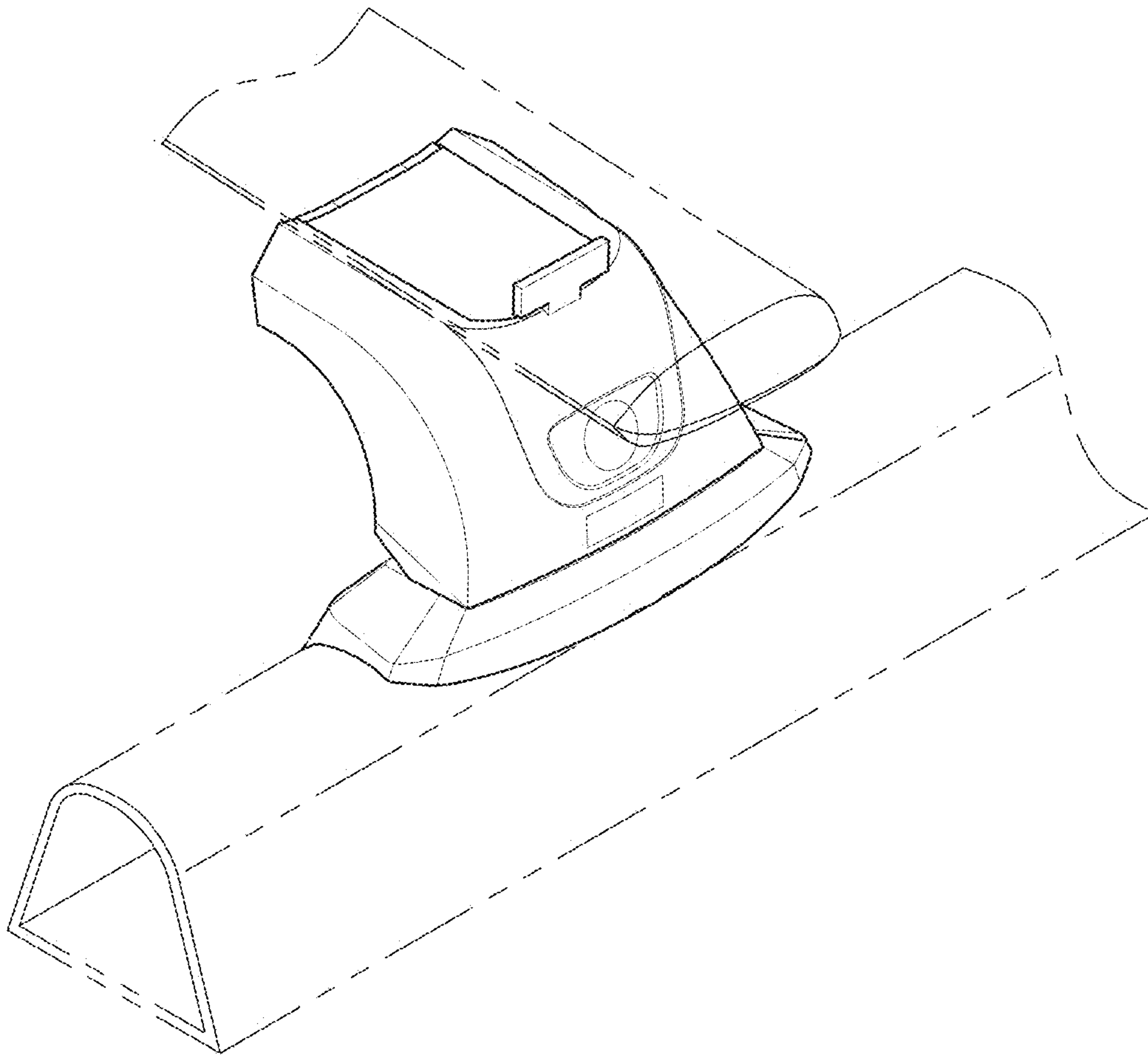


FIG. 8

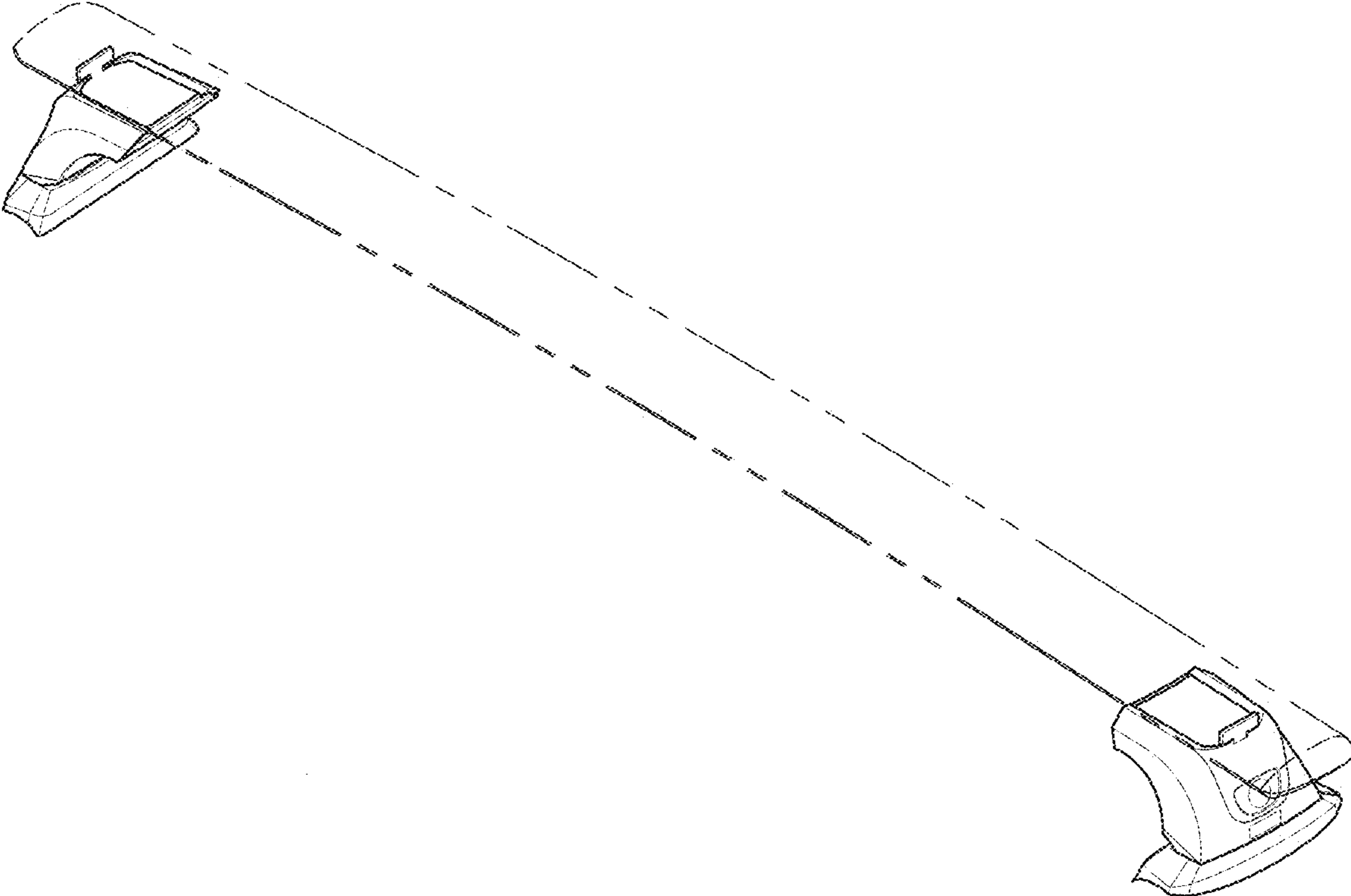


FIG. 9