



US00D895528S

(12) **United States Design Patent** (10) **Patent No.:** **US D895,528 S**
Isaac (45) **Date of Patent:** **** Sep. 8, 2020**

(54) **AIRCRAFT LANDING GEAR**
(71) Applicant: **Bell Textron Inc.**, Fort Worth, TX (US)
(72) Inventor: **Mark Loring Isaac**, Fort Worth, TX (US)
(73) Assignee: **Bell Textron Inc.**, Fort Worth, TX (US)
(**) Term: **15 Years**
(21) Appl. No.: **29/707,478**
(22) Filed: **Sep. 27, 2019**
(51) **LOC (12) Cl.** **12-07**
(52) **U.S. Cl.**
USPC **D12/345**
(58) **Field of Classification Search**
USPC D12/1-4, 16.1, 319-345; D21/301, 436,
D21/441, 442, 443, 444, 447, 448, 449,
D21/450, 451, 452, 453, 454, 455
CPC B64C 39/024; B64C 2201/108; B64C
2201/141; B64C 2201/024
See application file for complete search history.

D143,822 S * 2/1946 Johnson D12/342
D144,058 S * 3/1946 Kartveli et al. D12/344
D145,880 S * 11/1946 Carlson D12/332
D147,791 S * 11/1947 Jamouneau D12/344
D173,779 S * 1/1955 Alex D12/327
D174,254 S * 3/1955 Fletcher D12/327
D177,563 S * 5/1956 Fletcher D12/344

(Continued)

OTHER PUBLICATIONS

Bell 360 Invictus Future Attack Reconnaissance Aircraft. By Bell. dated 2020. found online [Jul. 24, 2020] <https://www.bellflight.com/products/bell-360>.*

Primary Examiner — Marissa J Cash
(74) *Attorney, Agent, or Firm* — Lawrence Youst PLLC

(57) **CLAIM**

The ornamental design for aircraft landing gear, as shown and described.

DESCRIPTION

FIG. 1 is a perspective view of aircraft landing gear;
FIG. 2 is a top plan view of the aircraft landing gear of FIG. 1;
FIG. 3 is a bottom plan view of the aircraft landing gear of FIG. 1;
FIG. 4 is a right side elevation view of the aircraft landing gear of FIG. 1;
FIG. 5 is a left side elevation view of the aircraft landing gear of FIG. 1;
FIG. 6 is a front elevation view of the aircraft landing gear of FIG. 1; and,
FIG. 7 is a rear elevation view of the aircraft landing gear of FIG. 1.

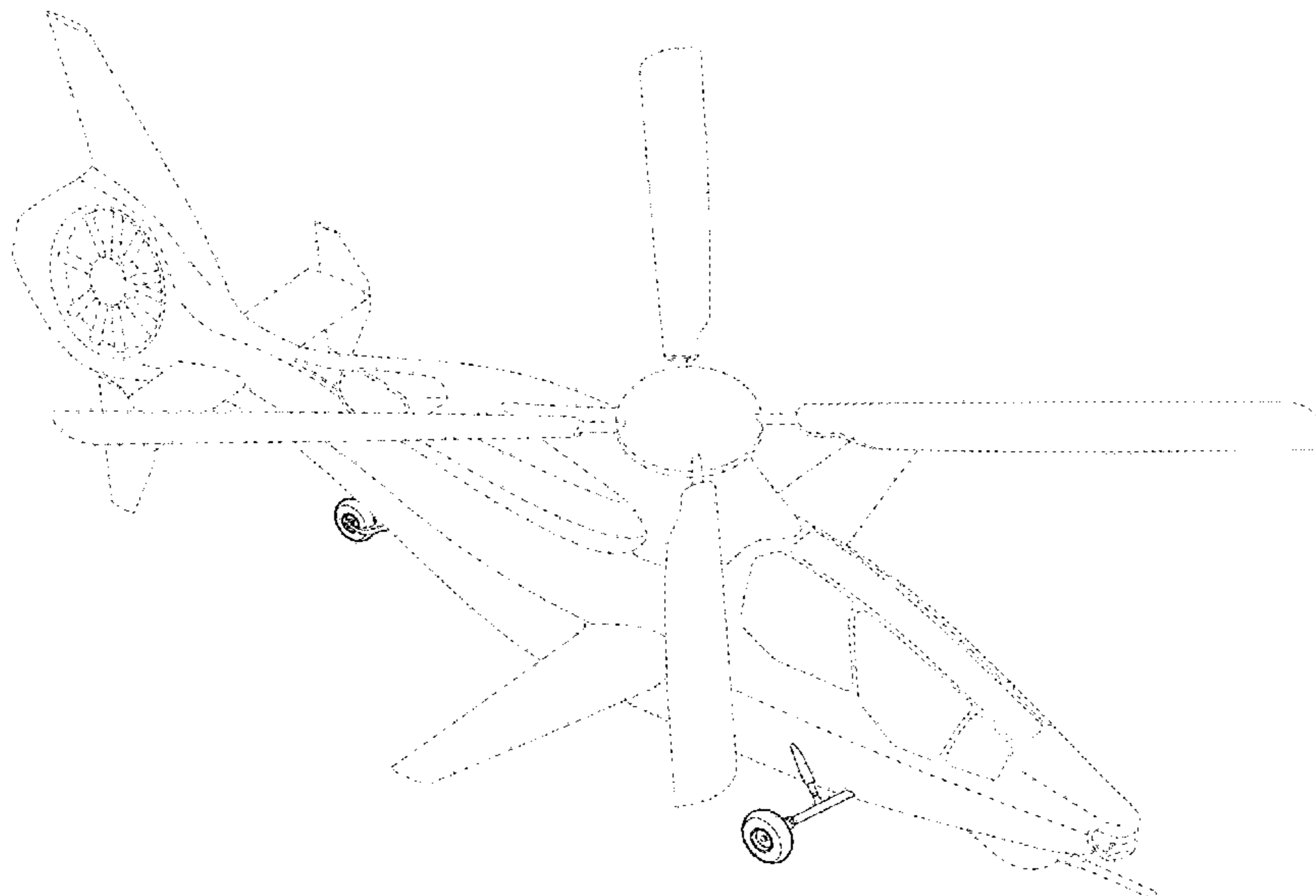
The broken lines in the drawings represent unclaimed environmental subject matter and form no part of the claim.

1 Claim, 6 Drawing Sheets

(56) **References Cited**

U.S. PATENT DOCUMENTS

1,825,578 A * 9/1931 Cernuda B64C 39/00
244/13
1,836,928 A * 12/1931 Mego B64C 23/005
244/5
D97,363 S * 10/1935 Taylor et al. D12/342
D97,657 S * 11/1935 Wilson et al. D12/336
D119,337 S * 3/1940 Shaw D21/450
D119,714 S * 3/1940 Hibbard et al. D12/335
D123,307 S * 10/1940 Fontaine D12/344
D132,383 S * 5/1942 Reedy D12/16.1
D135,434 S * 4/1943 Woods D12/327
D135,702 S * 5/1943 Hornak D12/344
D135,749 S * 6/1943 Berlin D12/344
2,381,968 A * 8/1945 Bossi B64C 5/16
244/17.19



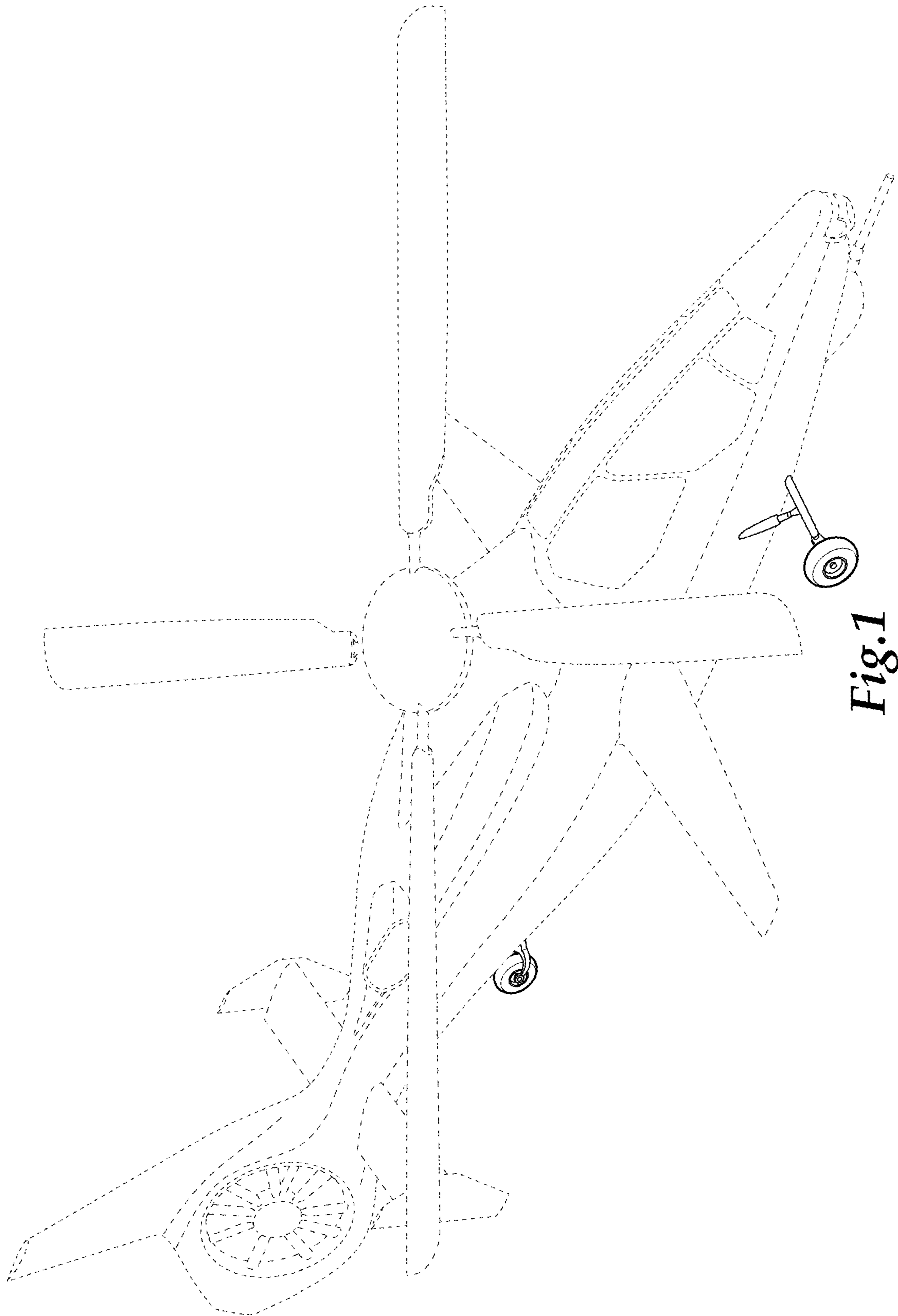


Fig. 1

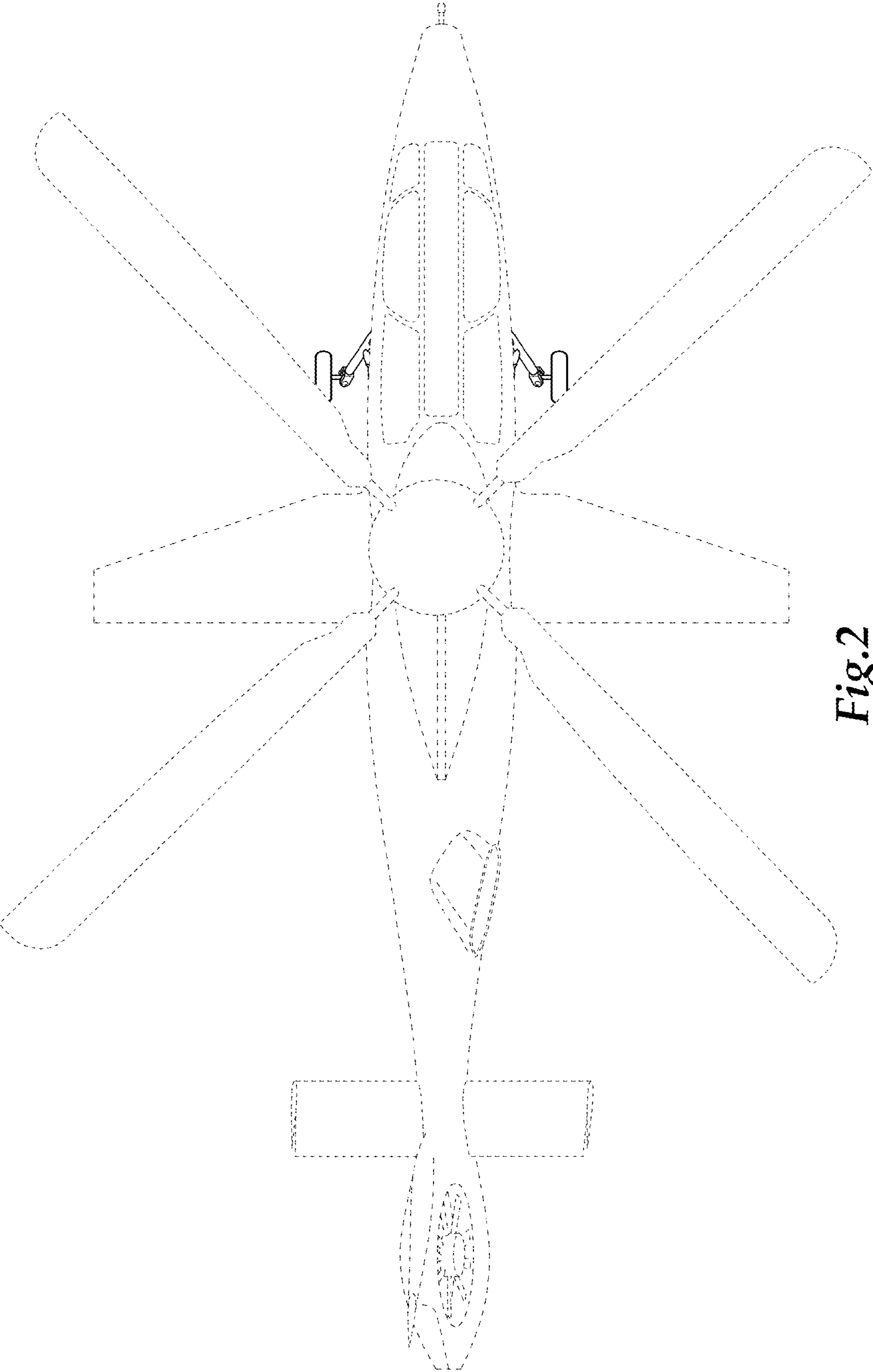


Fig.2

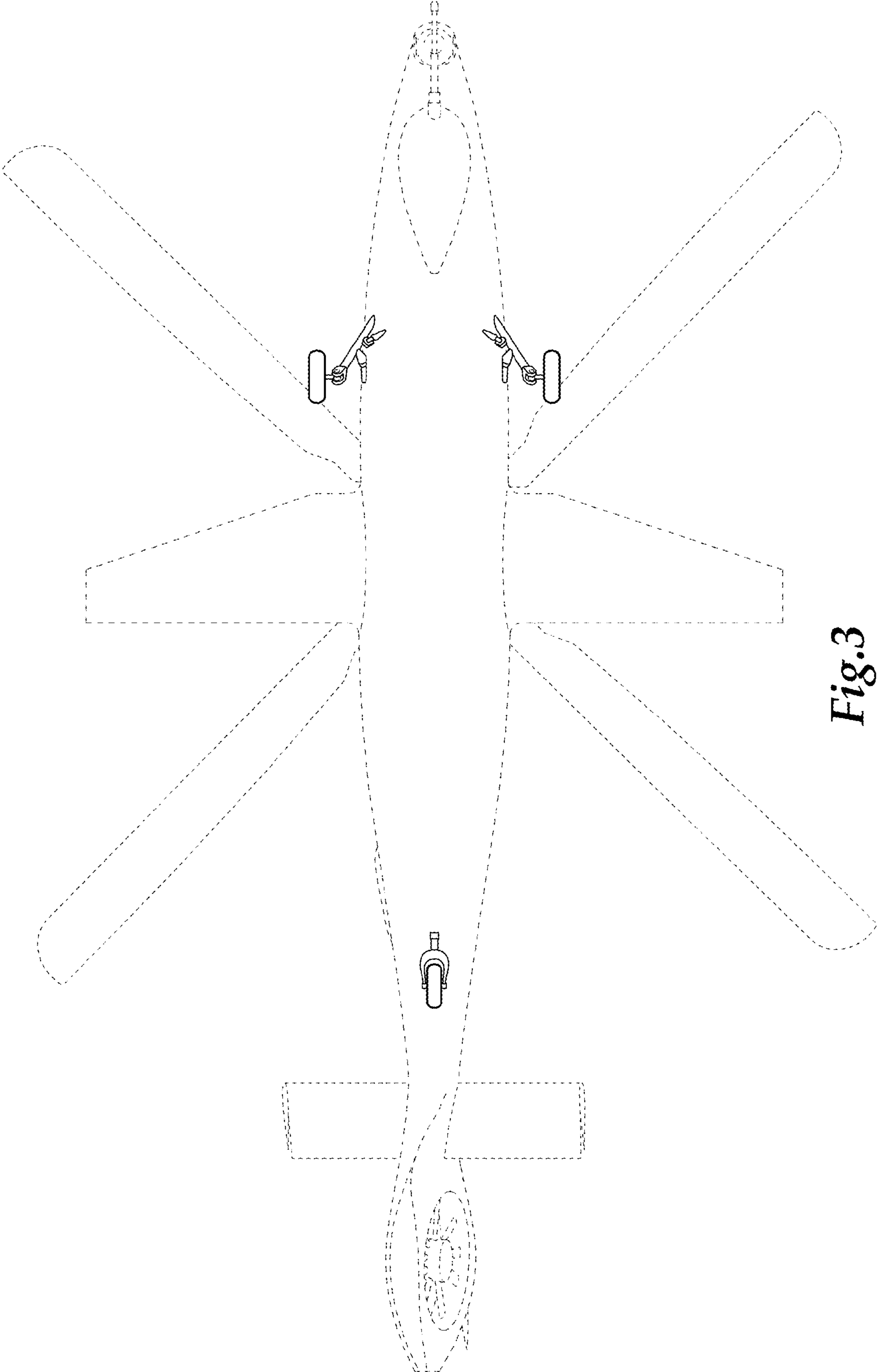


Fig.3

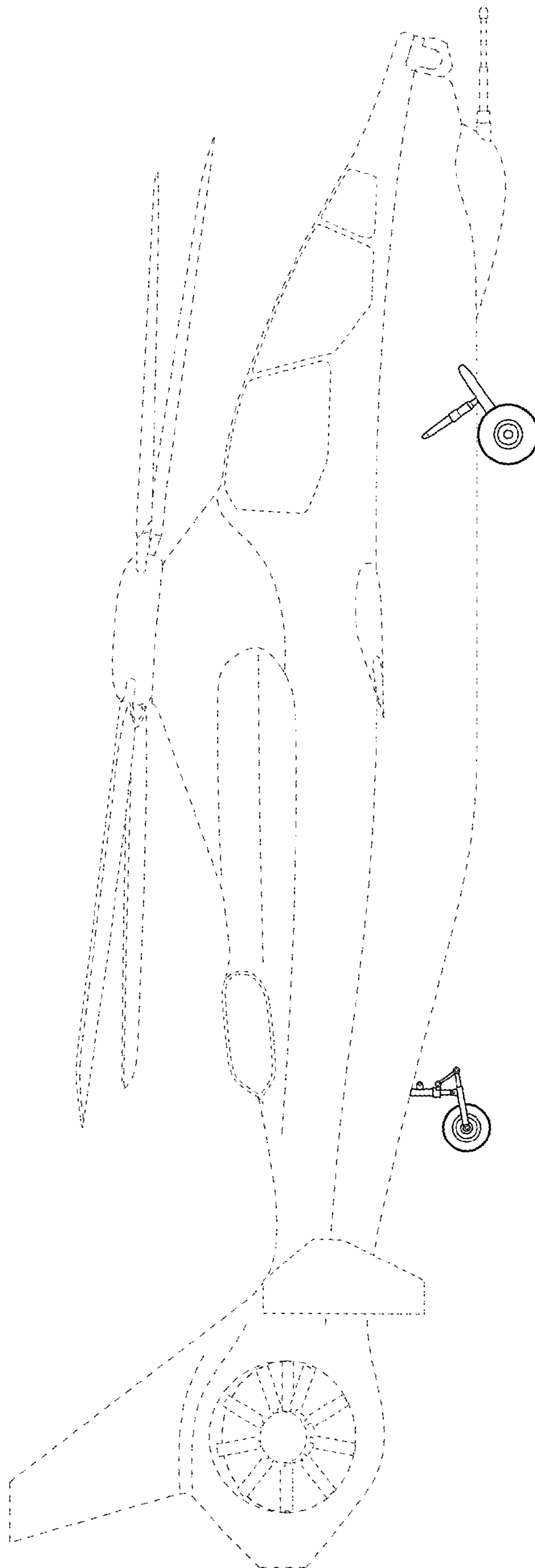


Fig.4

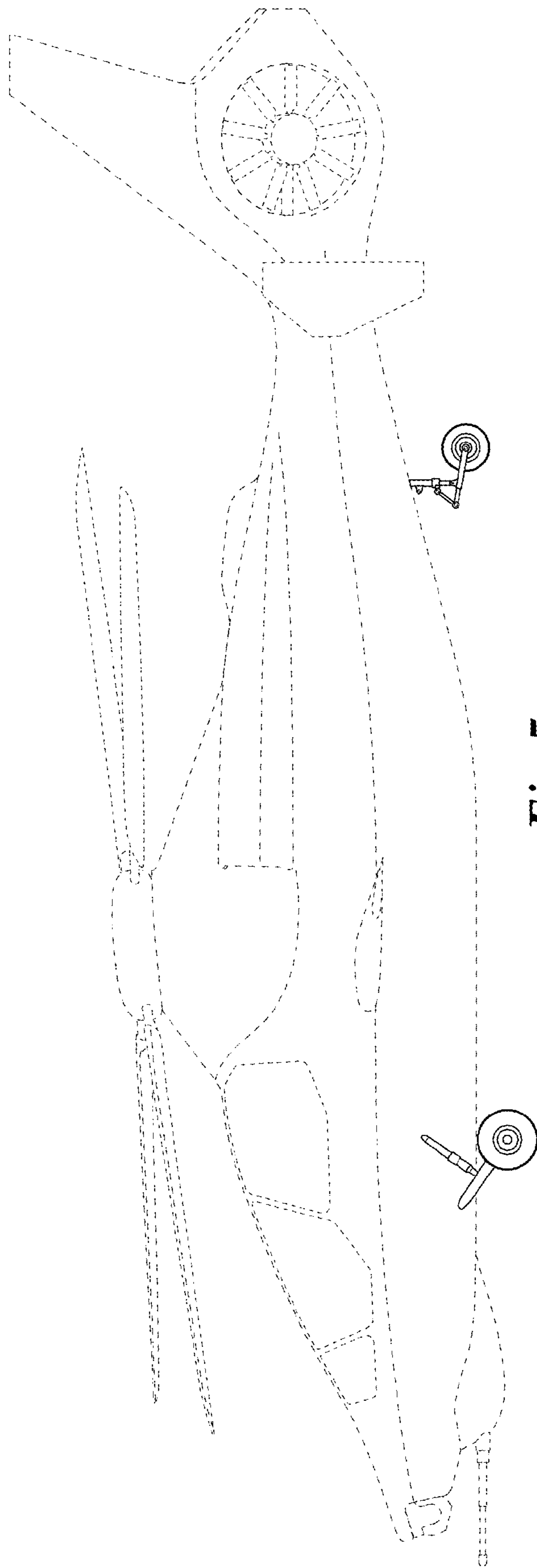


Fig.5

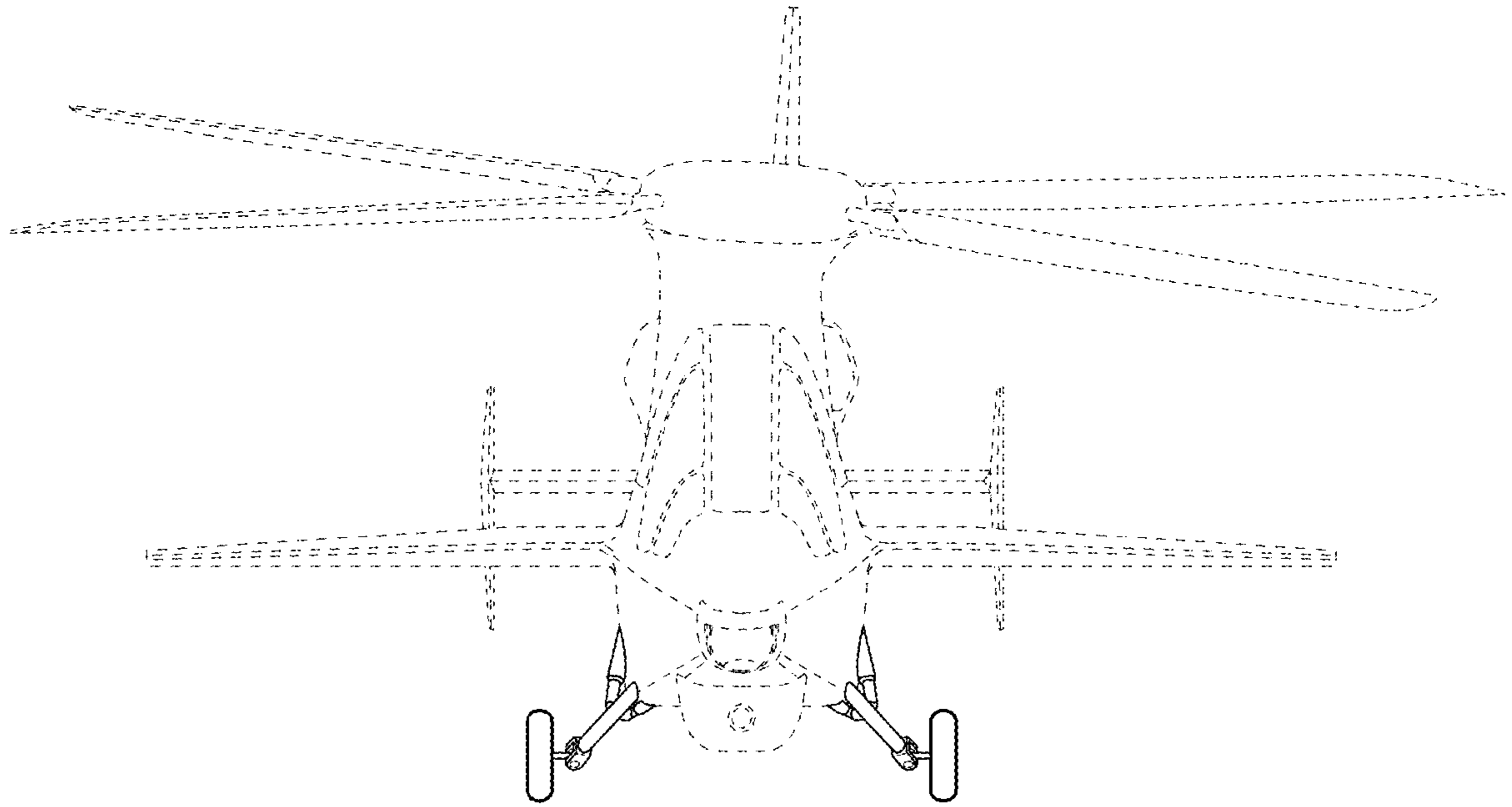


Fig.6

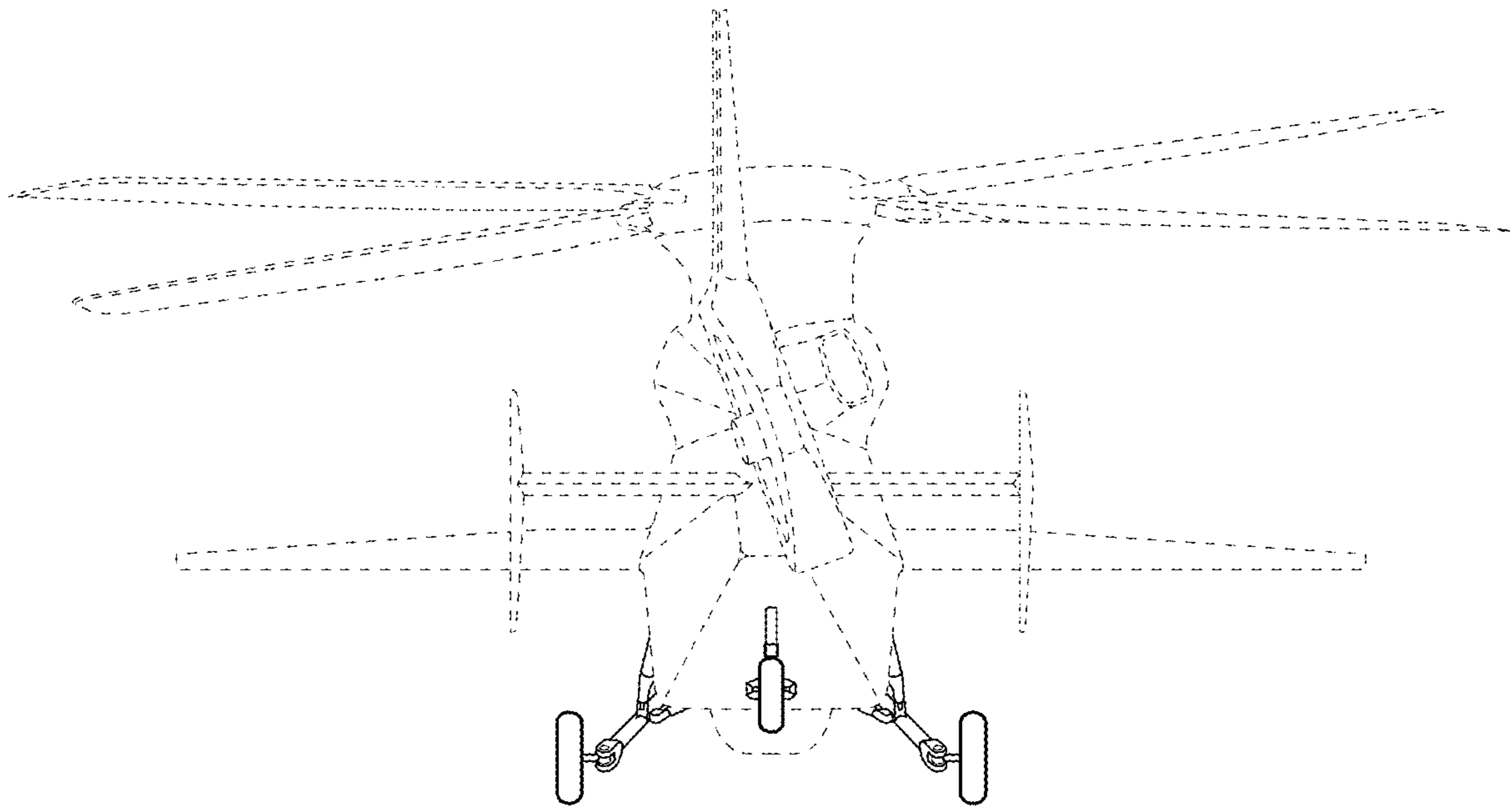


Fig.7