



US00D895527S

(12) **United States Design Patent** (10) **Patent No.:** **US D895,527 S**  
**Wang et al.** (45) **Date of Patent:** **\*\* Sep. 8, 2020**

(54) **AERIAL VEHICLE**  
(71) Applicant: **SZ DJI Technology Co., Ltd.,**  
Shenzhen (CN)  
(72) Inventors: **Jiadi Wang, Shenzhen (CN);**  
**Yongsheng Zhang, Shenzhen (CN);**  
**Xingyuan Chen, Shenzhen (CN);**  
**Liang Sun, Shenzhen (CN)**  
(73) Assignee: **SZ DJI Technology Co., Ltd.,**  
Shenzhen (CN)  
(\*\*) Term: **15 Years**  
(21) Appl. No.: **29/623,118**  
(22) Filed: **Oct. 23, 2017**

9,409,656 B2 8/2016 Ohtomo et al.  
D768,540 S 10/2016 Ji et al.  
D770,940 S 11/2016 Taylor et al.  
9,527,588 B1 \* 12/2016 Rollefstad ..... B64C 39/024  
D777,059 S 1/2017 Zhang et al.  
9,533,759 B2 \* 1/2017 Jones ..... G05D 1/102  
D780,062 S \* 2/2017 Wu ..... D12/16.1  
D787,373 S \* 5/2017 Ketcher ..... D12/16.1  
D803,097 S \* 11/2017 Wang ..... D12/16.1  
D808,860 S \* 1/2018 Tian ..... D12/16.1  
D816,582 S \* 5/2018 Liang ..... D12/328  
D817,812 S \* 5/2018 Whitten, Jr. .... D12/16.1  
D820,768 S \* 6/2018 Wang ..... D12/328  
10,005,556 B2 \* 6/2018 Rastgaar Aagaah .....  
B64C 39/024

(Continued)

**FOREIGN PATENT DOCUMENTS**

CN 302153378 S 10/2012  
CN 302174697 S 11/2012

(Continued)

**Related U.S. Application Data**

(63) Continuation of application No. 29/547,032, filed on  
Nov. 30, 2015, now Pat. No. Des. 820,768.  
(51) **LOC (12) Cl.** ..... **12-07**  
(52) **U.S. Cl.**  
USPC ..... **D12/328**  
(58) **Field of Classification Search**  
USPC ..... D12/1-4, 16.1, 319-345; D21/436-454;  
D30/160  
CPC ..... B64C 39/024; B64C 13/16; B64C 19/00;  
B64C 2201/021; B64C 2201/141; B60H  
1/3442  
See application file for complete search history.

*Primary Examiner* — Marissa J Cash

(74) *Attorney, Agent, or Firm* — Sterne, Kessler,  
Goldstein & Fox P.L.L.C.

(57) **CLAIM**

The ornamental design for an aerial vehicle, as shown and  
described.

**DESCRIPTION**

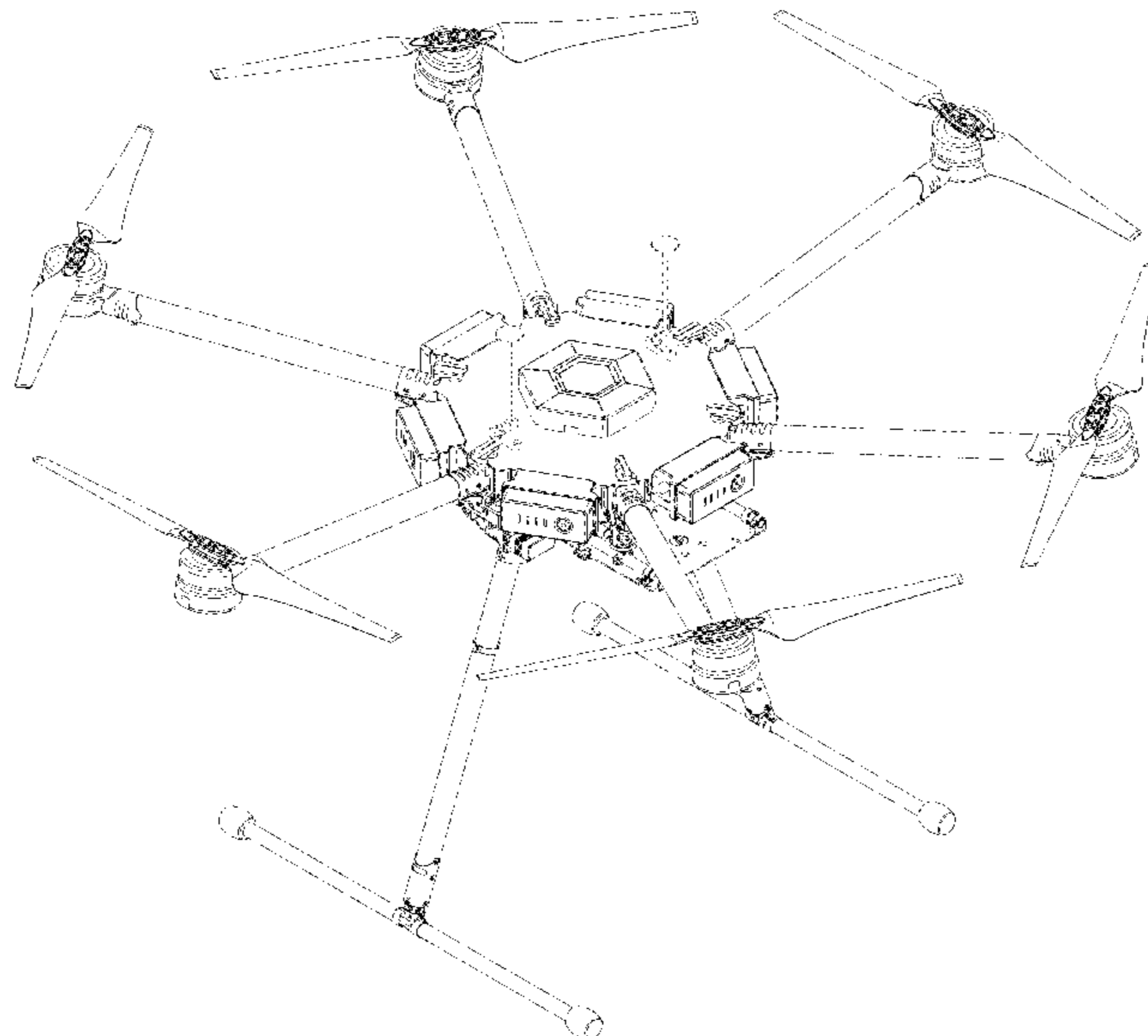
FIG. 1 is a top front perspective view of an aerial vehicle  
showing the claimed design;  
FIG. 2 is a rear view thereof;  
FIG. 3 is a front view thereof;  
FIG. 4 is a left side view thereof;  
FIG. 5 is a right side view thereof;  
FIG. 6 is a top view thereof; and,  
FIG. 7 is a bottom view thereof.  
The broken lines in the figures show portions of the aerial  
vehicle that form no part of the claimed design.

(56) **References Cited**

**U.S. PATENT DOCUMENTS**

D465,196 S \* 11/2002 Dammar ..... D12/328  
D751,490 S \* 3/2016 Chen ..... D12/16.1  
D751,491 S 3/2016 Chen  
D763,133 S 8/2016 Ketcher  
D763,134 S 8/2016 Wang

**1 Claim, 7 Drawing Sheets**



(56)

References Cited

U.S. PATENT DOCUMENTS

10,108,072 B1 \* 10/2018 Sugaki ..... H04N 5/22521  
 10,173,774 B2 \* 1/2019 Jones ..... B64C 37/02  
 10,220,953 B2 \* 3/2019 Ishii ..... B64D 31/10  
 2015/0232181 A1 8/2015 Oakley et al.  
 2015/0266577 A1 \* 9/2015 Jones ..... G05D 1/102  
 701/3  
 2015/0344136 A1 12/2015 Dahlstrom  
 2016/0001879 A1 1/2016 Johannessen et al.  
 2016/0016664 A1 1/2016 Basuni  
 2016/0122016 A1 5/2016 Mintchev et al.  
 2016/0144954 A1 5/2016 Daigle  
 2016/0299504 A1 10/2016 Hsiao et al.  
 2016/0313736 A1 10/2016 Schultz et al.  
 2016/0340028 A1 \* 11/2016 Datta ..... B64C 39/024  
 2016/0347443 A1 12/2016 Lee  
 2016/0376014 A1 \* 12/2016 Alnafisah ..... B64C 39/024  
 244/39  
 2016/0376031 A1 12/2016 Michalski et al.

2017/0029099 A1 2/2017 Chen  
 2017/0144756 A1 \* 5/2017 Rastgaar Aagaah .....  
 B64C 39/024  
 2017/0152035 A1 \* 6/2017 Zhao ..... B64C 39/024

FOREIGN PATENT DOCUMENTS

CN 302218195 S 12/2012  
 CN 302483177 S 6/2013  
 CN 302503996 S 7/2013  
 CN 302747855 S 2/2014  
 CN 302759595 S 3/2014  
 CN 302848756 S 6/2014  
 CN 302992375 S 11/2014  
 CN 303113277 S 2/2015  
 CN 303189591 S 4/2015  
 CN 303224997 S 5/2015  
 CN 303346924 S 8/2015  
 CN 303367225 S 9/2015  
 CN 303408582 S 10/2015  
 CN 303465650 S 11/2015  
 KR 30-0824904 11/2015

\* cited by examiner

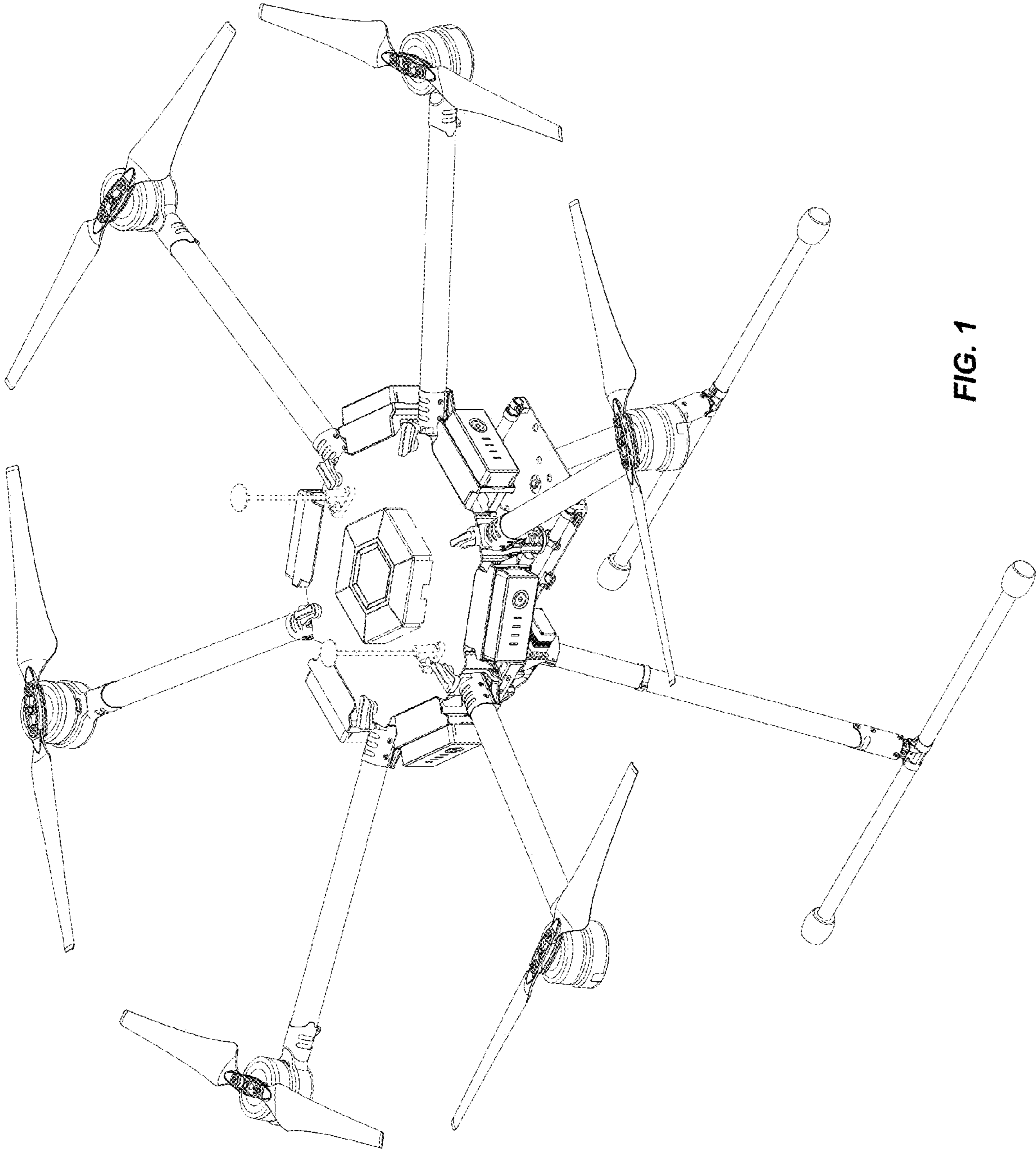


FIG. 1

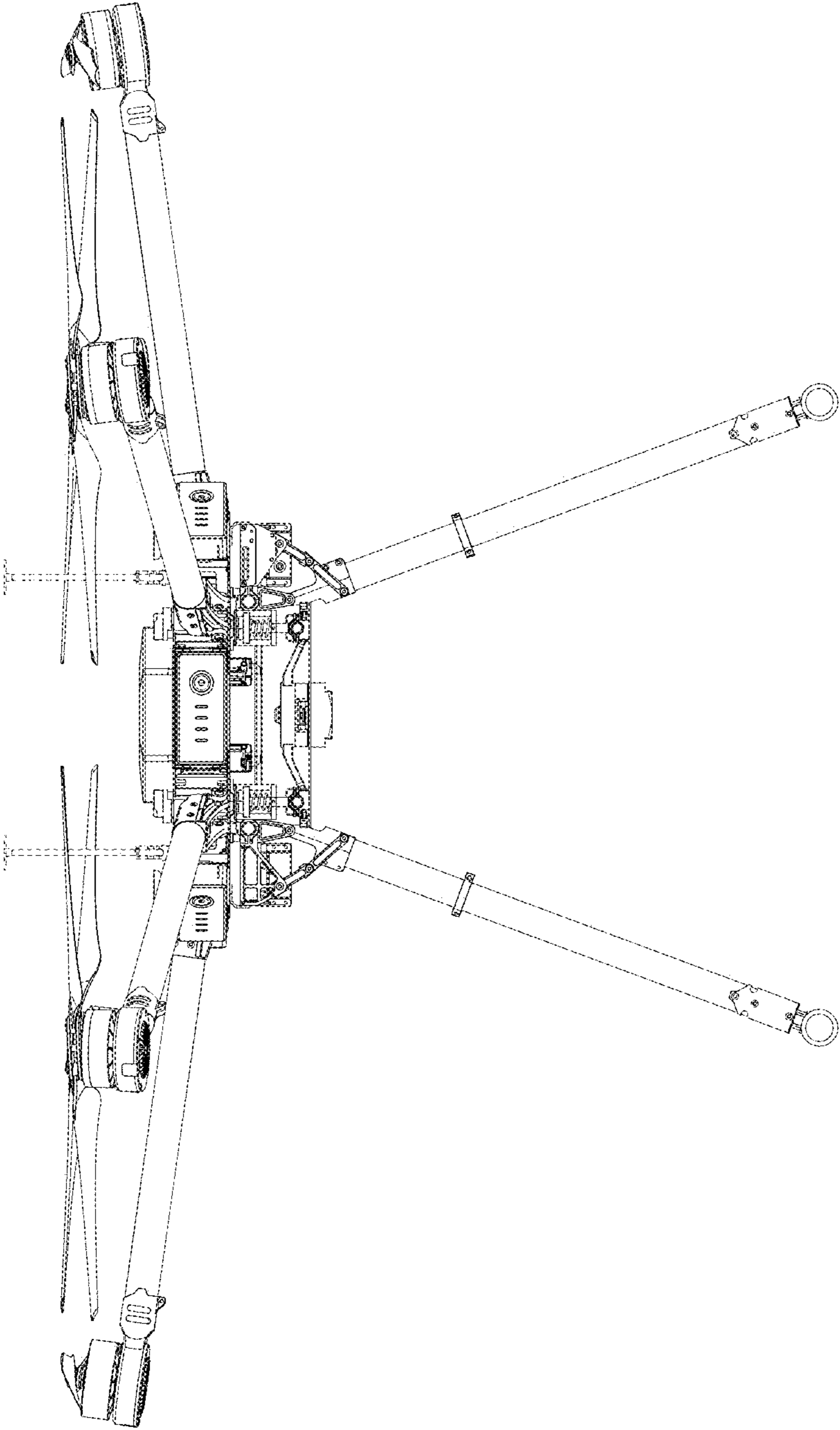


FIG. 2

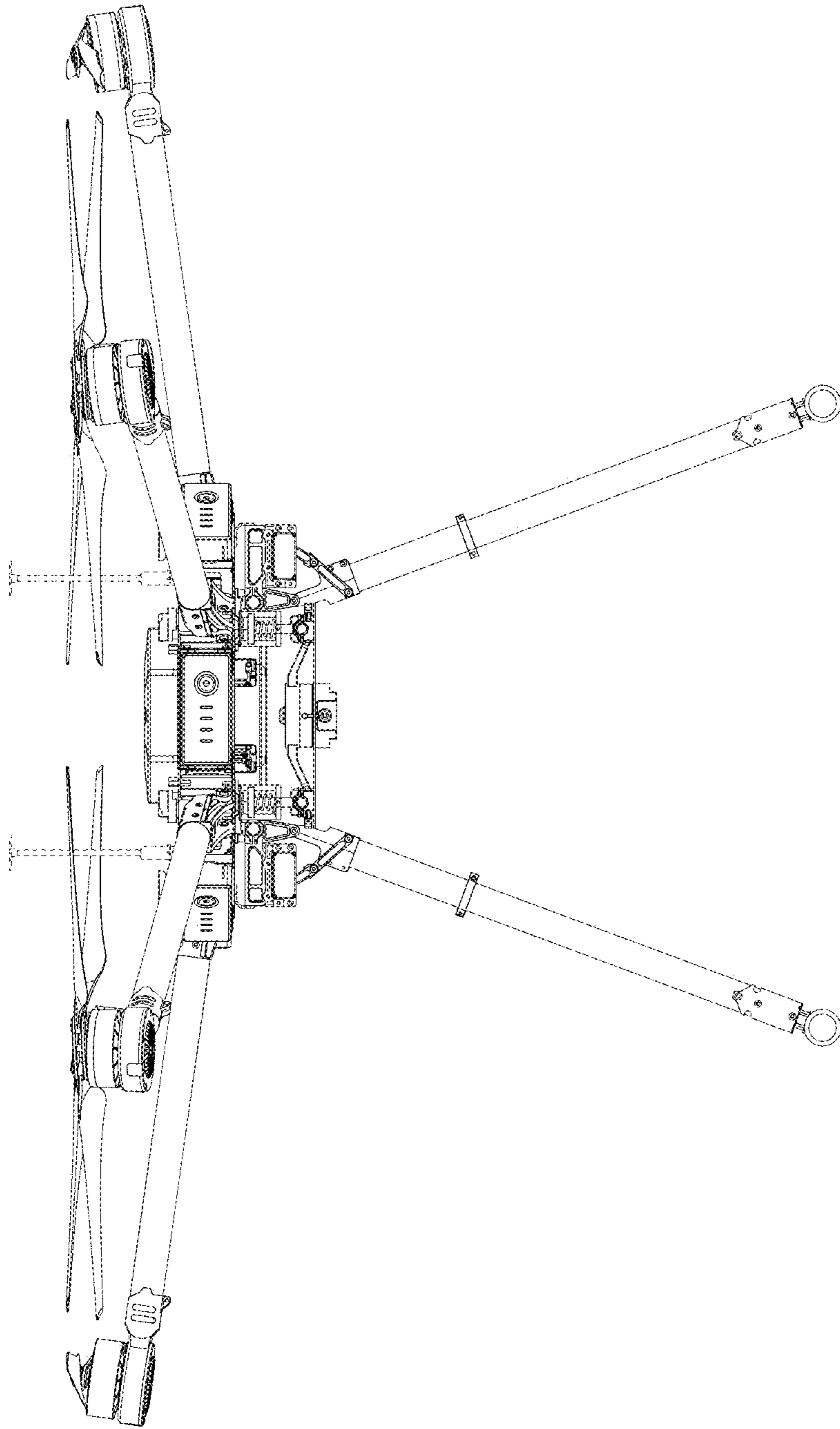


FIG. 3

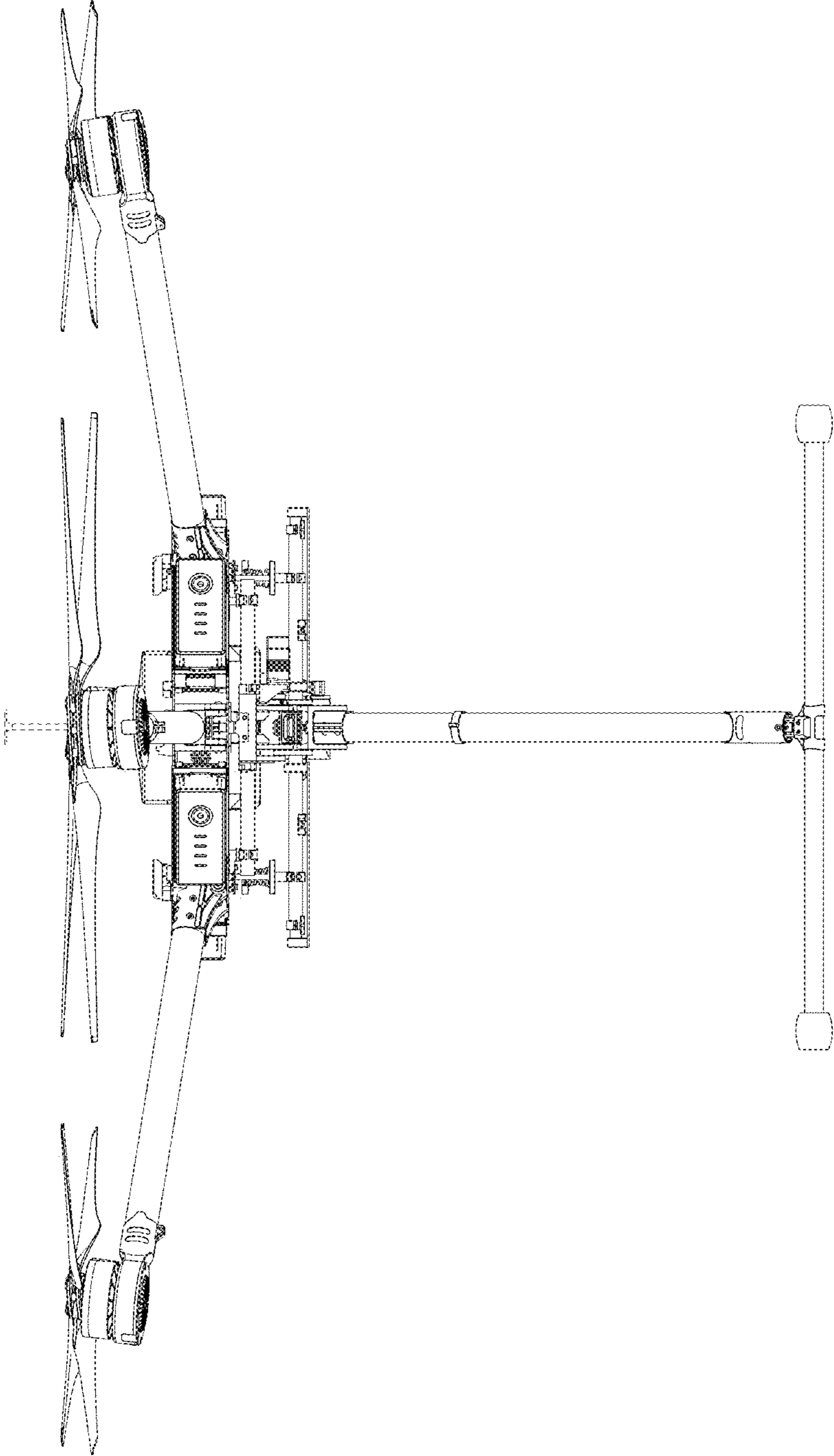


FIG. 4

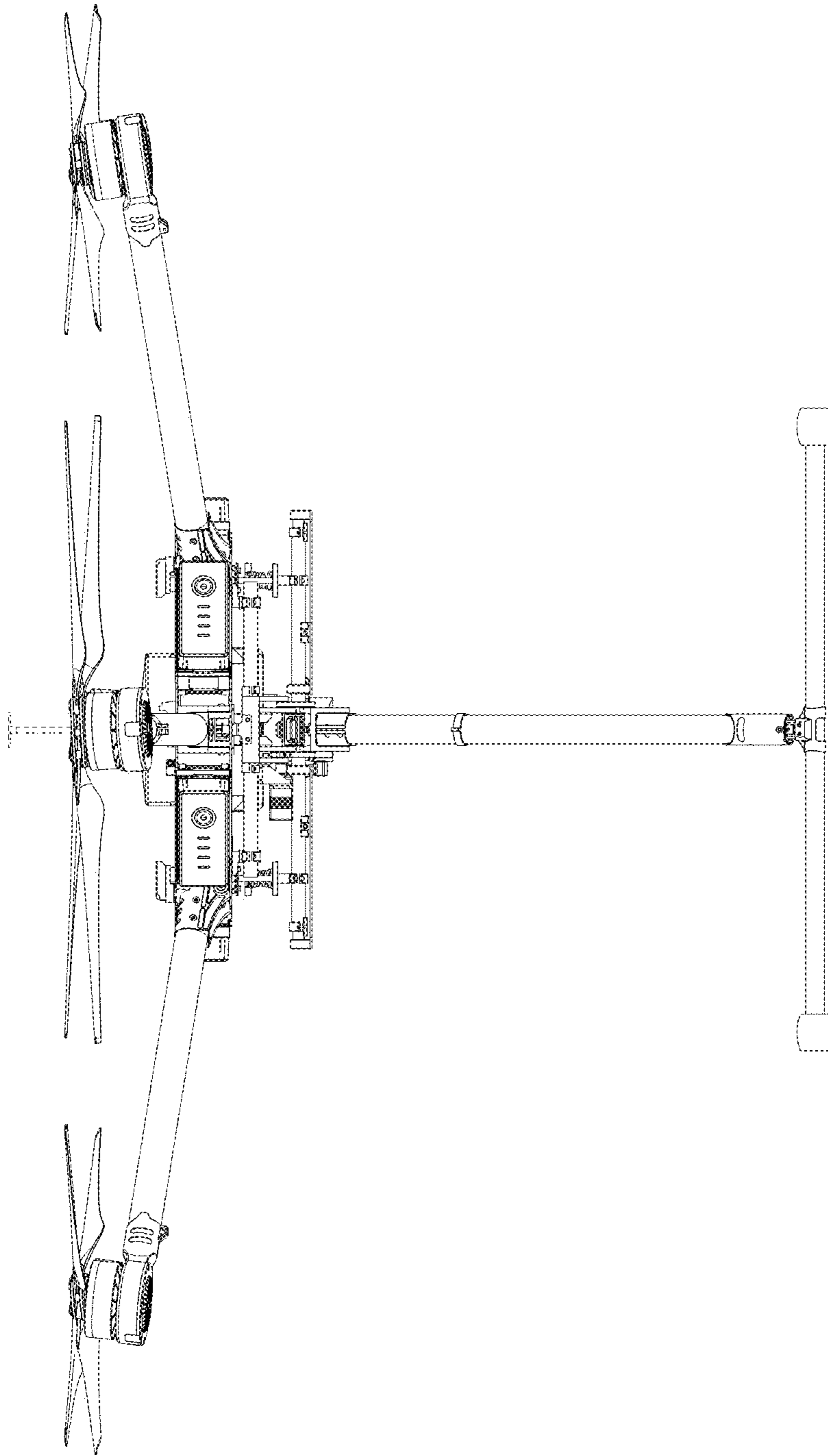


FIG. 5

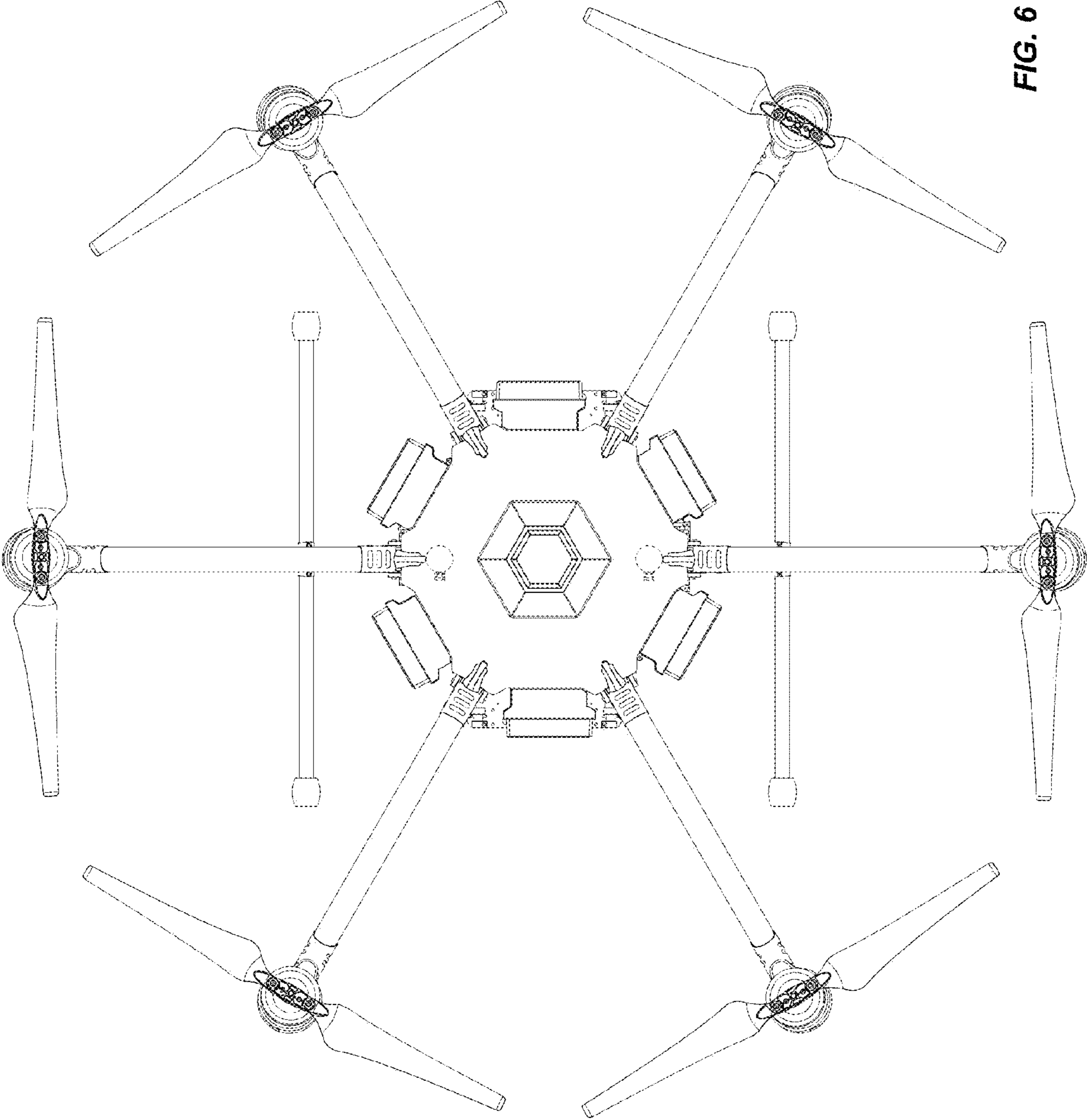


FIG. 6



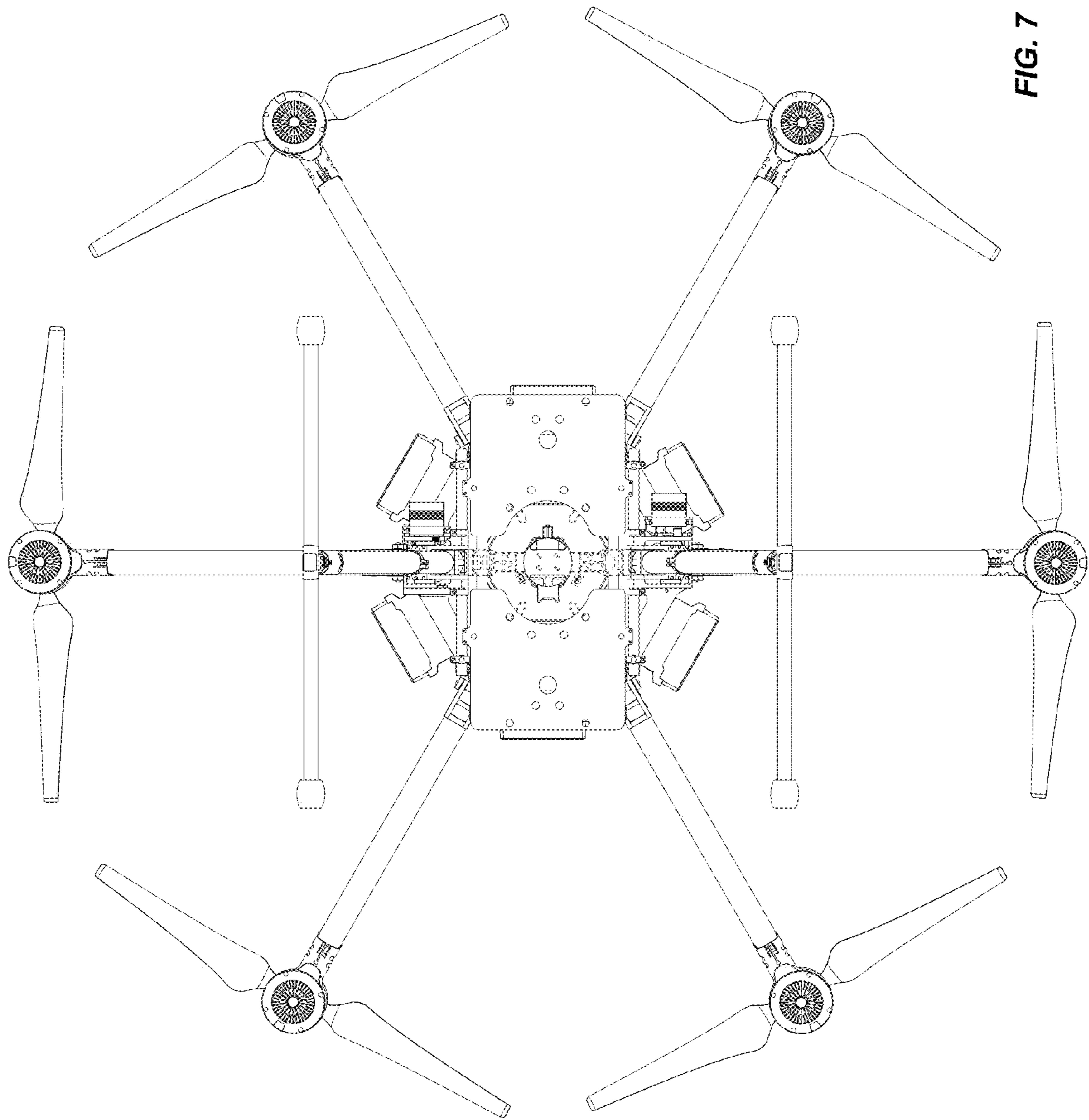


FIG. 7