



US00D895526S

(12) **United States Design Patent**  
**Zolotuhin**

(10) **Patent No.:** **US D895,526 S**  
(45) **Date of Patent:** **\*\* Sep. 8, 2020**

(54) **PONTOON BOAT WITH ELEVATED FRONT WAVE DEFLECTOR PANEL**

**DESCRIPTION**

- (71) Applicant: **Mihail Zolotuhin**, Sandy, UT (US)
- (72) Inventor: **Mihail Zolotuhin**, Sandy, UT (US)
- (\*\*) Term: **15 Years**
- (21) Appl. No.: **29/675,107**
- (22) Filed: **Dec. 28, 2018**

**Related U.S. Application Data**

- (63) Continuation-in-part of application No. 29/609,369, filed on Jun. 29, 2017, now Pat. No. Des. 872,003, (Continued)
- (51) **LOC (12) Cl.** ..... **12-06**
- (52) **U.S. Cl.**  
USPC ..... **D12/317**
- (58) **Field of Classification Search**  
USPC ..... D12/300-318; D21/542-547  
(Continued)

(56) **References Cited**

**U.S. PATENT DOCUMENTS**

4,562,786 A	1/1986	Pruonto
D298,310 S	11/1988	Robbins

(Continued)

**FOREIGN PATENT DOCUMENTS**

CA	2414545 A1	7/2004
DE	3924362 A1	1/1991

(Continued)

*Primary Examiner* — Cynthia M. Chin

(74) *Attorney, Agent, or Firm* — Pate Peterson PLLC; Brett Peterson

(57) **CLAIM**

The ornamental design for a pontoon boat with elevated front wave deflector panel, as shown and described.

FIG. 1 is an upper isometric view of a pontoon boat with a front wave deflector panel.

FIG. 2 is a lower isometric view of the pontoon boat with a front wave deflector panel of FIG. 1.

FIG. 3 is a top side view of the pontoon boat with a front wave deflector panel of FIG. 1.

FIG. 4 is a bottom side view of the pontoon boat with a front wave deflector panel of FIG. 1.

FIG. 5 is a left side view of the pontoon boat with a front wave deflector panel of FIG. 1.

FIG. 6 is a right side view of the pontoon boat with a front wave deflector panel of FIG. 1.

FIG. 7 is a front side view of the pontoon boat with a front wave deflector panel of FIG. 1.

FIG. 8 is a rear side view of the pontoon boat with a front wave deflector panel of FIG. 1.

FIG. 9 is an upper isometric view of another pontoon boat with a front wave deflector panel.

FIG. 10 is a lower isometric view of the pontoon boat with a front wave deflector panel of FIG. 9.

FIG. 11 is a top side view of the pontoon boat with a front wave deflector panel of FIG. 9.

FIG. 12 is a bottom side view of the pontoon boat with a front wave deflector panel of FIG. 9.

FIG. 13 is a left side view of the pontoon boat with a front wave deflector panel of FIG. 9.

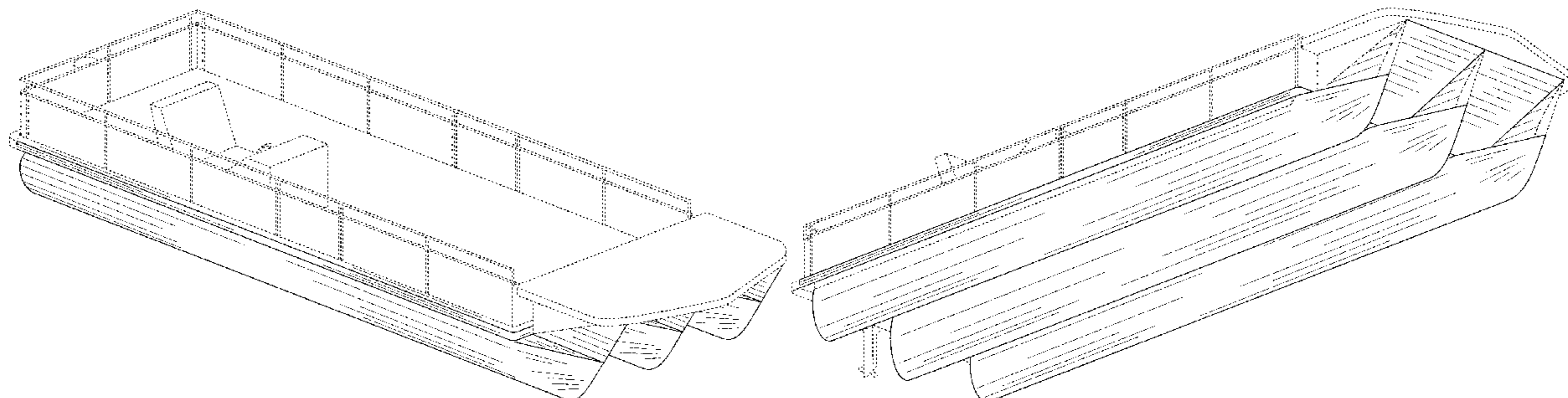
FIG. 14 is a right side view of the pontoon boat with a front wave deflector panel of FIG. 9.

FIG. 15 is a front side view of the pontoon boat with a front wave deflector panel of FIG. 9; and,

FIG. 16 is a rear side view of the pontoon boat with a front wave deflector panel of FIG. 9.

The broken lines shown in the drawings are included for the purpose of illustrating unclaimed portions of the pontoon boat with elevated front wave deflector panel and form no part of the claimed design. The dot-dash lines shown in the drawings are included for the purpose of illustrating boundaries between claimed and unclaimed portions of the pontoon boat and form no part of the claimed design.

**1 Claim, 16 Drawing Sheets**



**Related U.S. Application Data**

which is a continuation-in-part of application No. 29/601,860, filed on Apr. 26, 2017, now Pat. No. Des. 868,666.

(58) **Field of Classification Search**

CPC ..... B63B 35/34; B63B 35/36; B63B 35/38; B63B 35/04

See application file for complete search history.

(56) **References Cited**

**U.S. PATENT DOCUMENTS**

5,105,755	A	4/1992	Davidson	
D341,811	S	11/1993	Pepper	
D369,337	S	4/1996	Stevens	
5,540,169	A	7/1996	Davis	
5,706,752	A	1/1998	Menne	
5,746,146	A	5/1998	Bixel	
6,209,477	B1	4/2001	Biedenweg	
D516,495	S	3/2006	Menne	
7,028,632	B2	4/2006	Blank	
7,107,926	B2	9/2006	Fishburn	
7,484,472	B1	2/2009	Highfield	
D641,747	S	7/2011	Gisborne	
8,056,496	B1	11/2011	Bussa	
8,336,476	B2 *	12/2012	Keck	B63B 1/38 114/67 A
8,770,136	B2	7/2014	Larson	
9,302,740	B2	4/2016	O'Neal	
9,475,548	B1	10/2016	Slocum	
D773,373	S	12/2016	Mayes	

D780,087	S	2/2017	Deurr	
9,586,655	B1	3/2017	Butler	
9,611,008	B1	4/2017	O'Neal	
9,688,368	B2 *	6/2017	Schaefer	B63B 59/02
9,783,267	B1	10/2017	Alexander	
D810,651	S *	2/2018	Gaskins	D12/300
9,914,507	B2	3/2018	Falahee	
9,981,721	B2 *	5/2018	Deurr	B63B 29/02
10,017,235	B2	7/2018	Pappas	
10,308,320	B1	6/2019	O'Neal	
10,486,772	B1 *	11/2019	Sohm	B63B 1/121
D868,666	S *	12/2019	Zolotuhin	D12/300
D872,003	S *	1/2020	Zolotuhin	D12/310
10,583,902	B2 *	3/2020	Zolotuhin	B63B 59/02
2007/0022938	A1	2/2007	Fishburn	
2007/0221114	A1	9/2007	Schaaf	
2007/0295255	A1	12/2007	Stryjewski	
2007/0295264	A1	12/2007	Fishburn	
2010/0229775	A1	9/2010	Cochran	
2013/0025519	A1	1/2013	Cooney	
2013/0025527	A1	1/2013	Cooney	
2014/0165893	A1 *	6/2014	O'Neal	B63B 1/14 114/61.15
2017/0029069	A1	2/2017	Deurr	

**FOREIGN PATENT DOCUMENTS**

FR	2261923	A1	9/1975
JP	2003327193	A	11/2003
JP	2010064724	A	3/2010
JP	2011152891	A	8/2011
JP	2012162116	A	8/2012
WO	WO 2016/19316	A1	12/2016

\* cited by examiner

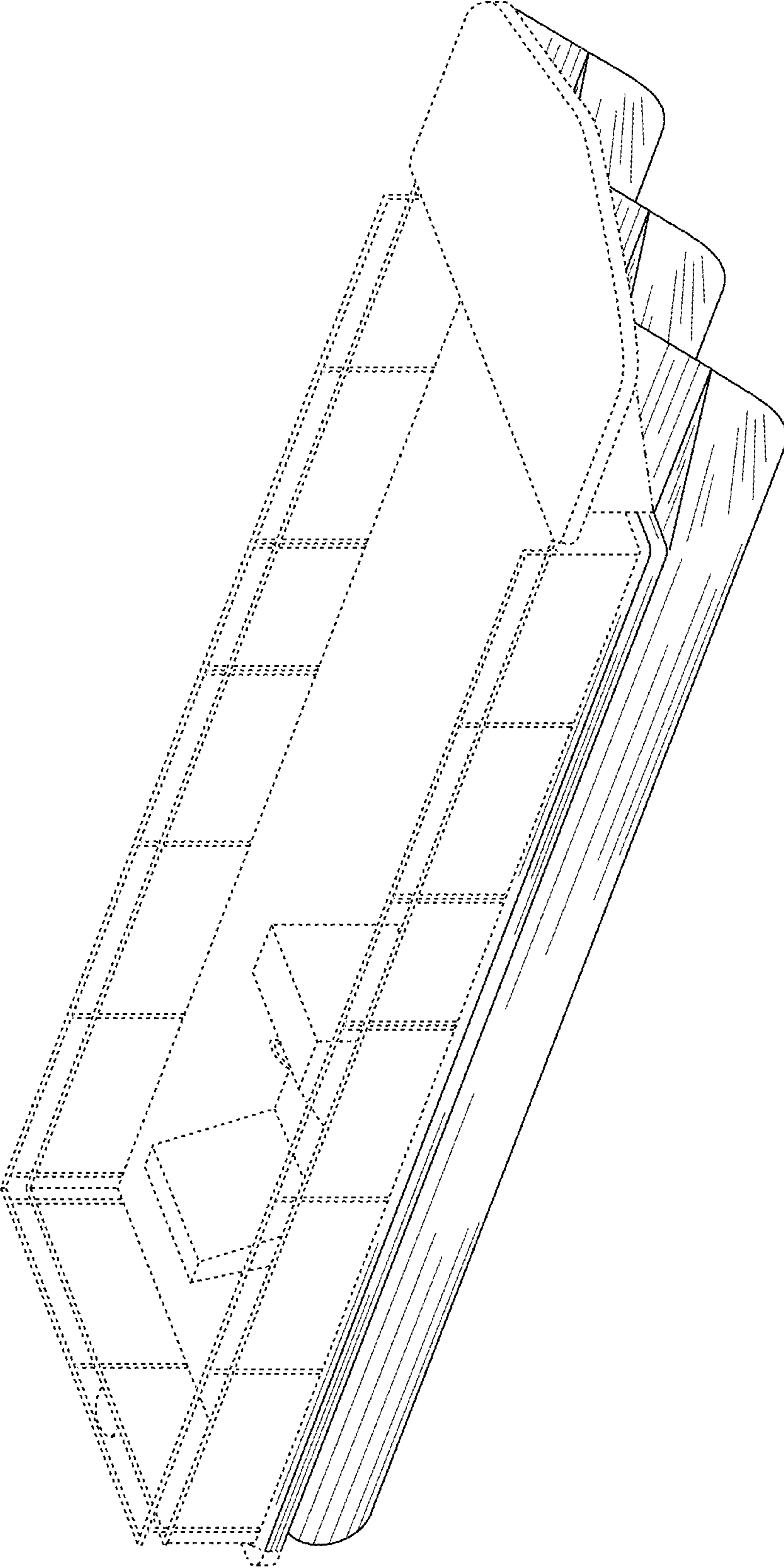


Fig. 1

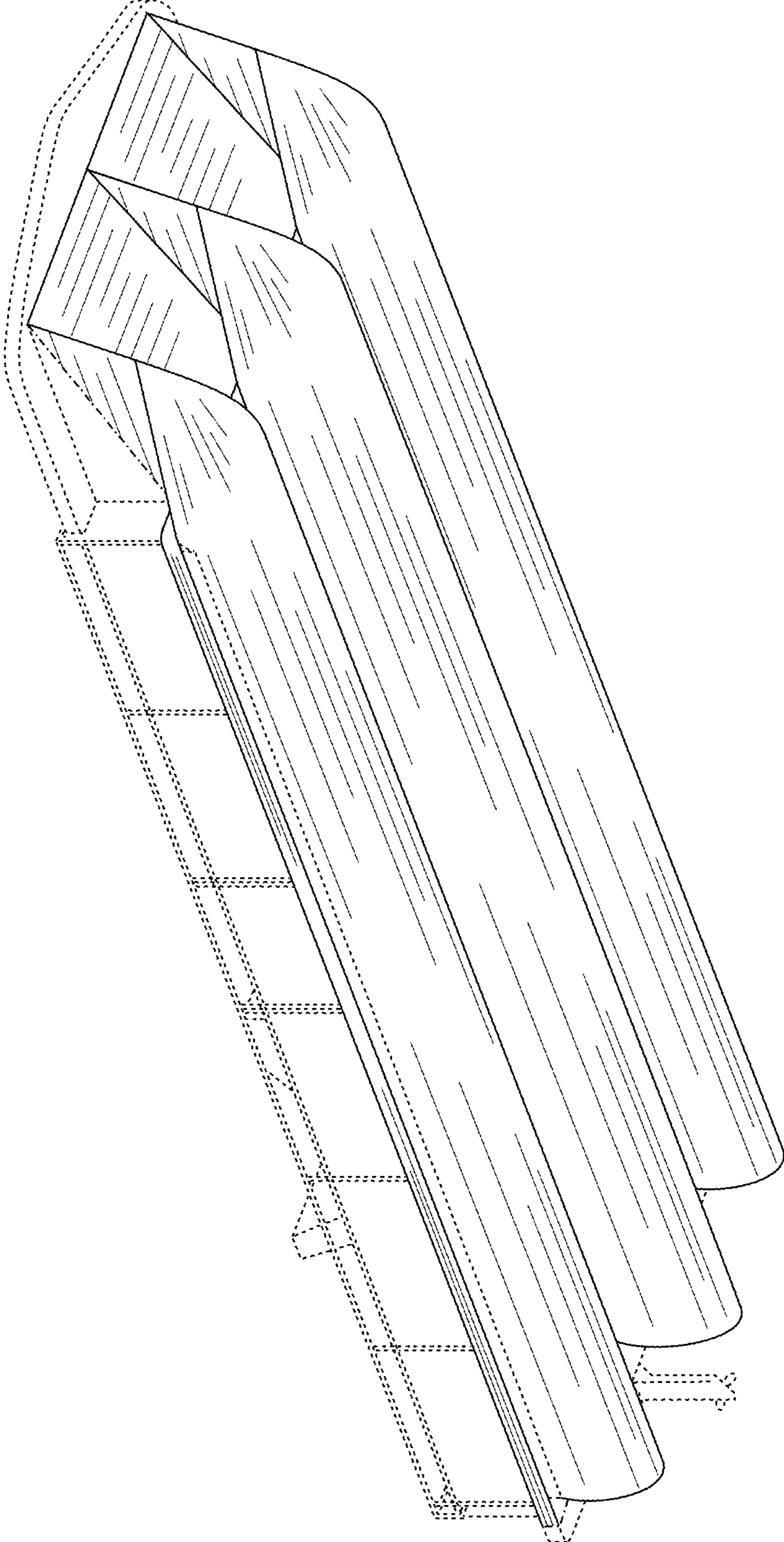


Fig. 2

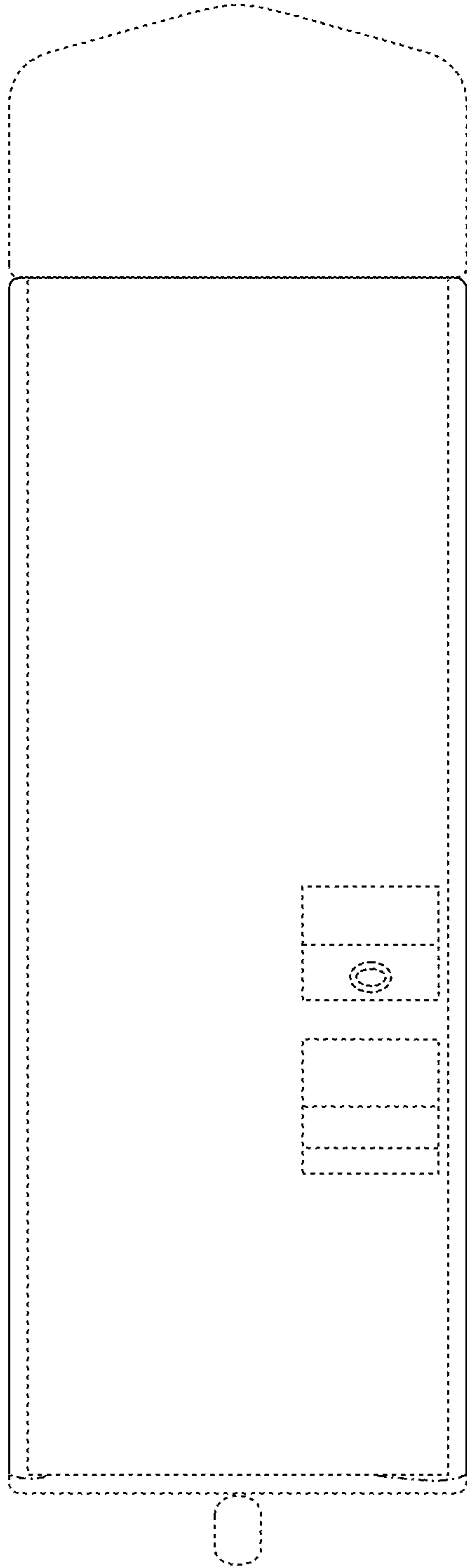


Fig. 3

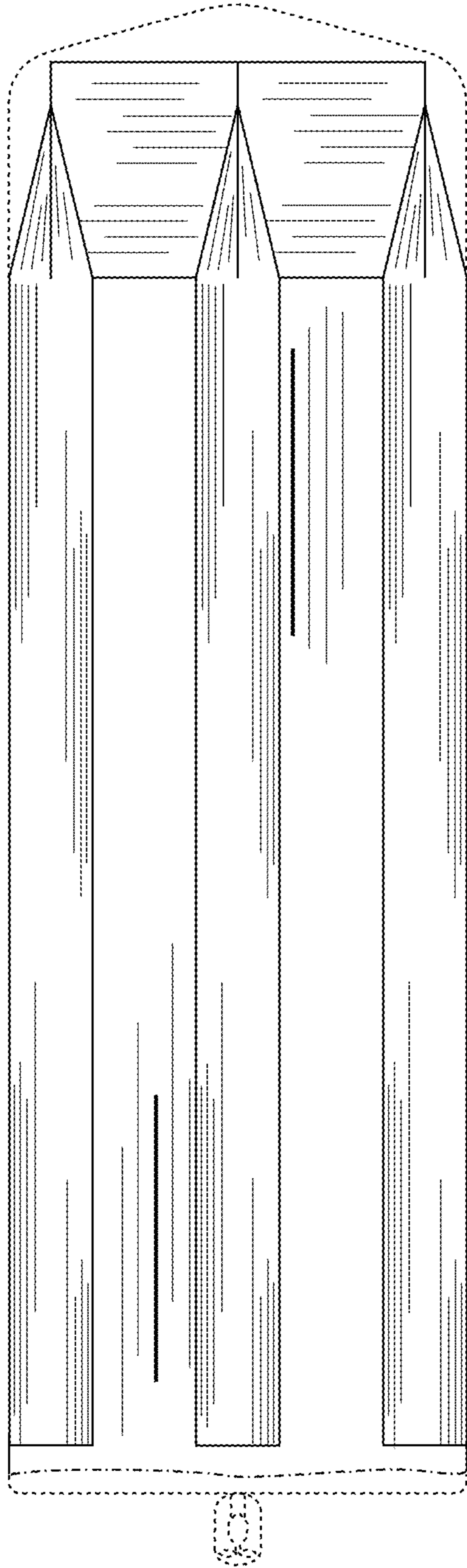


Fig. 4

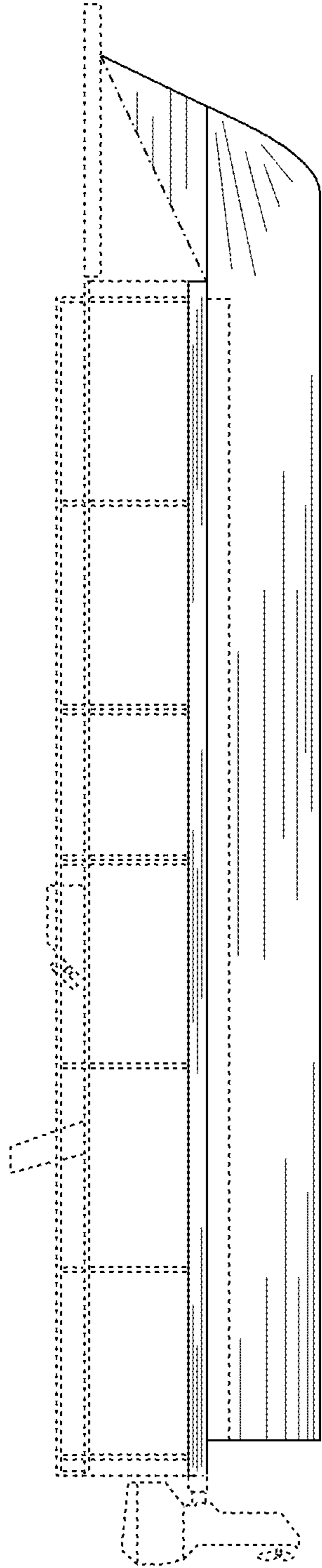


Fig. 5

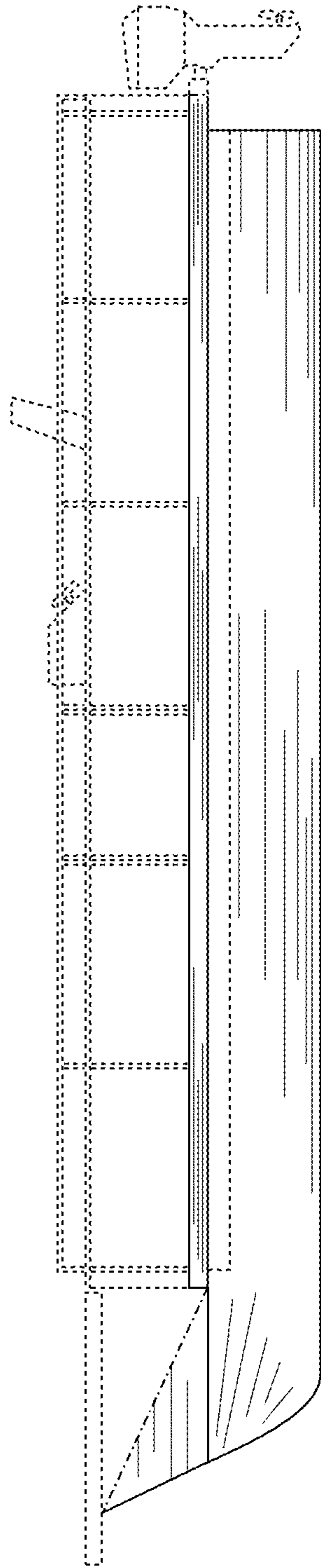


Fig. 6



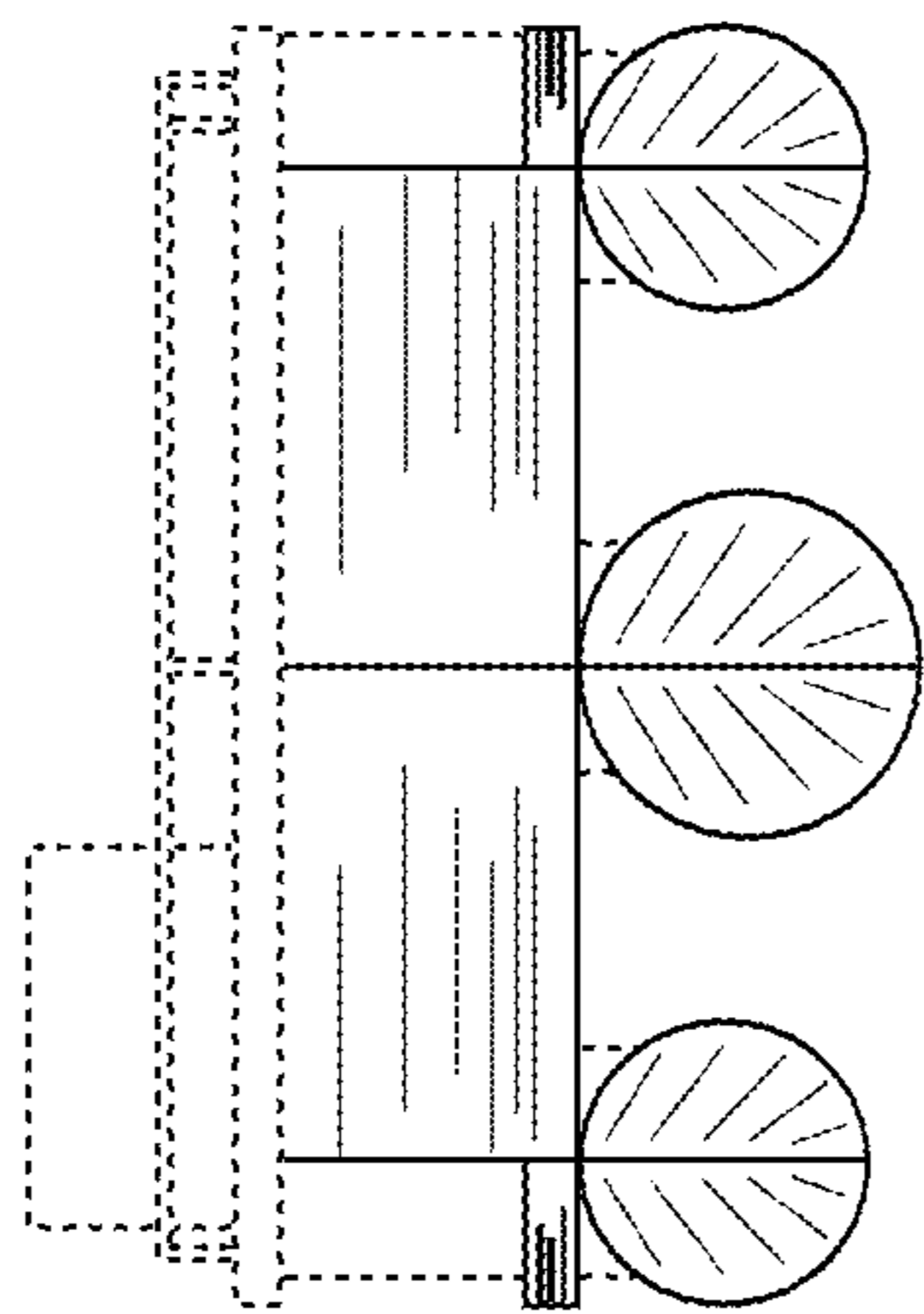


Fig. 7

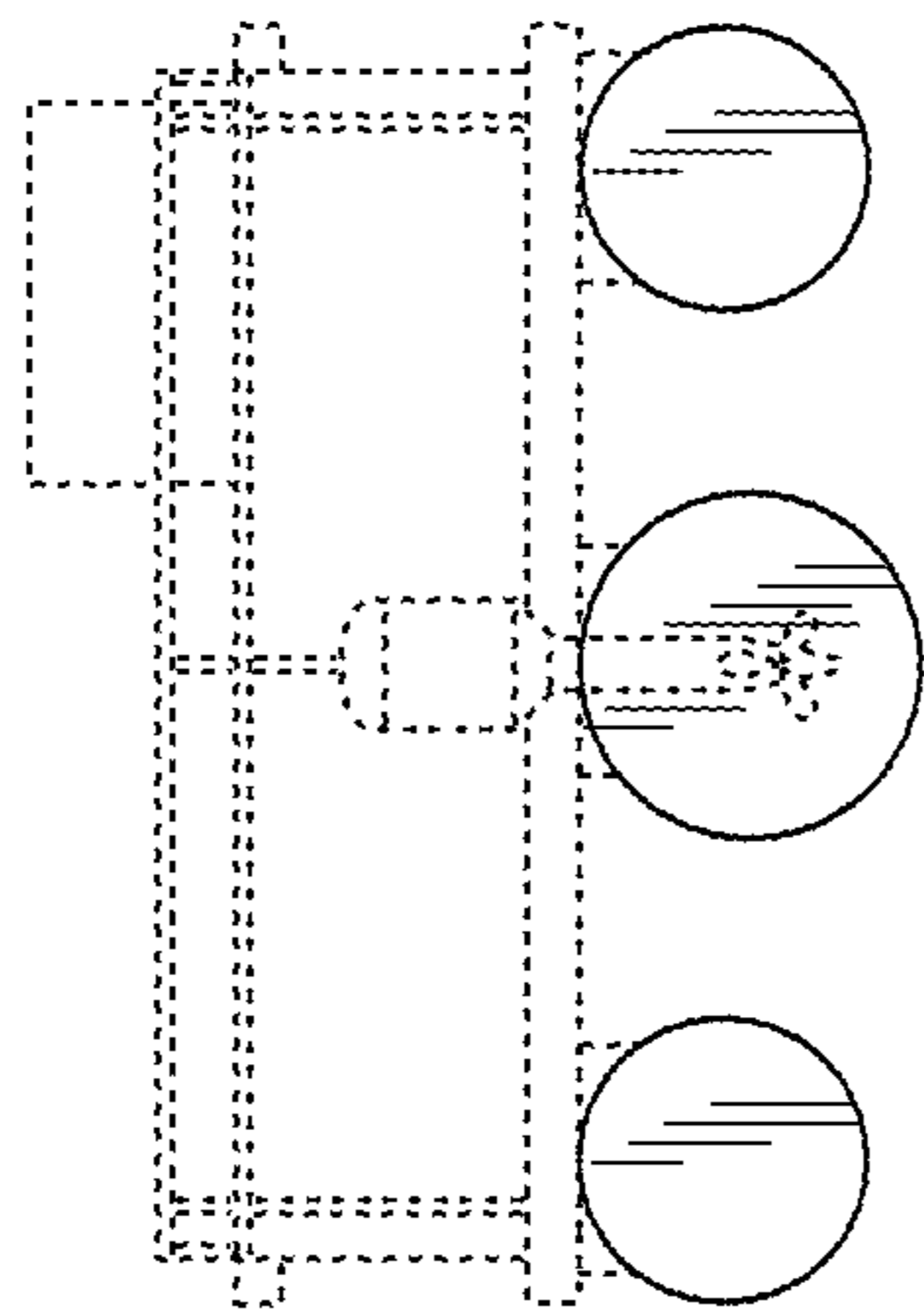


Fig. 8

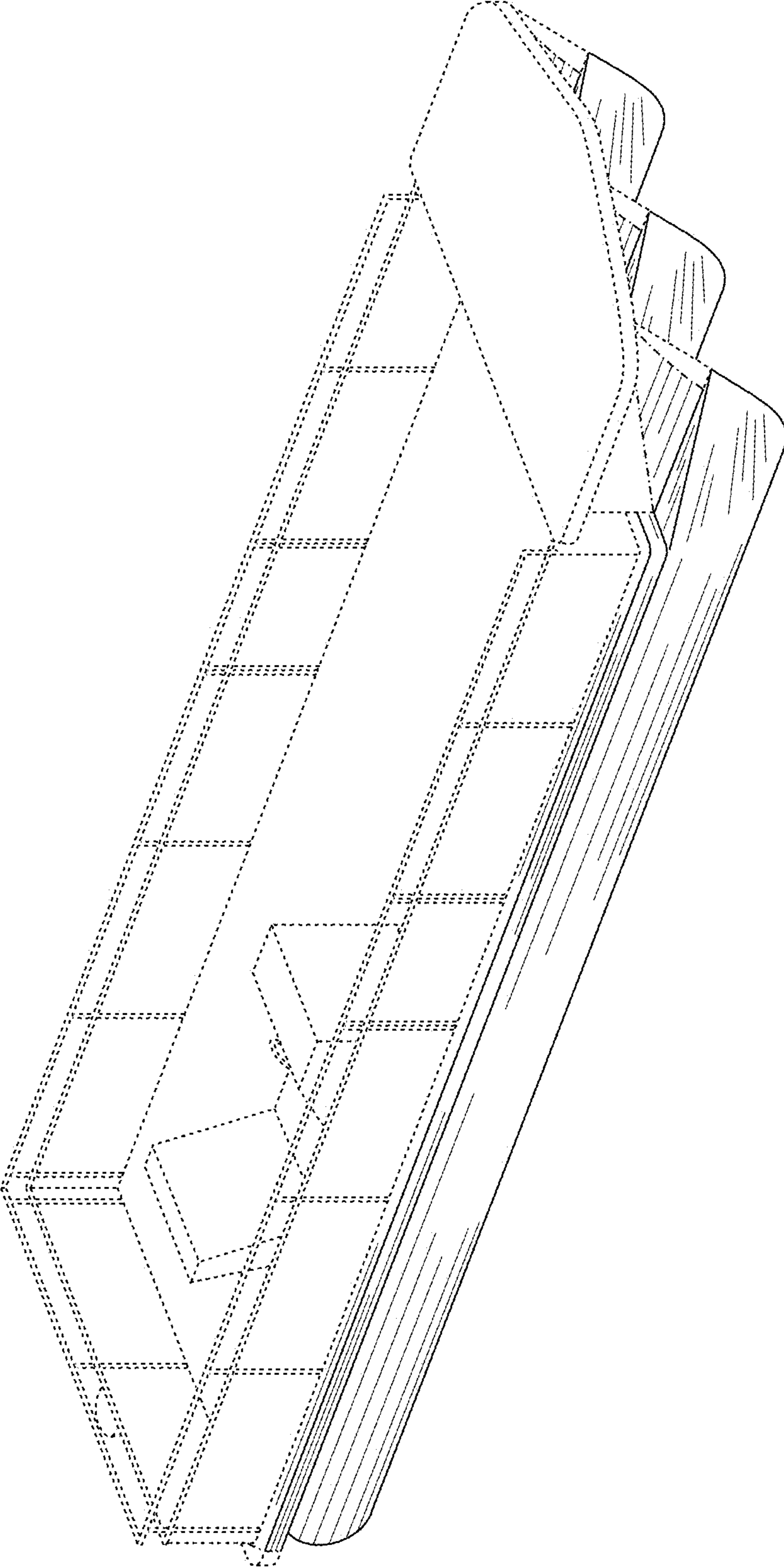


Fig. 9

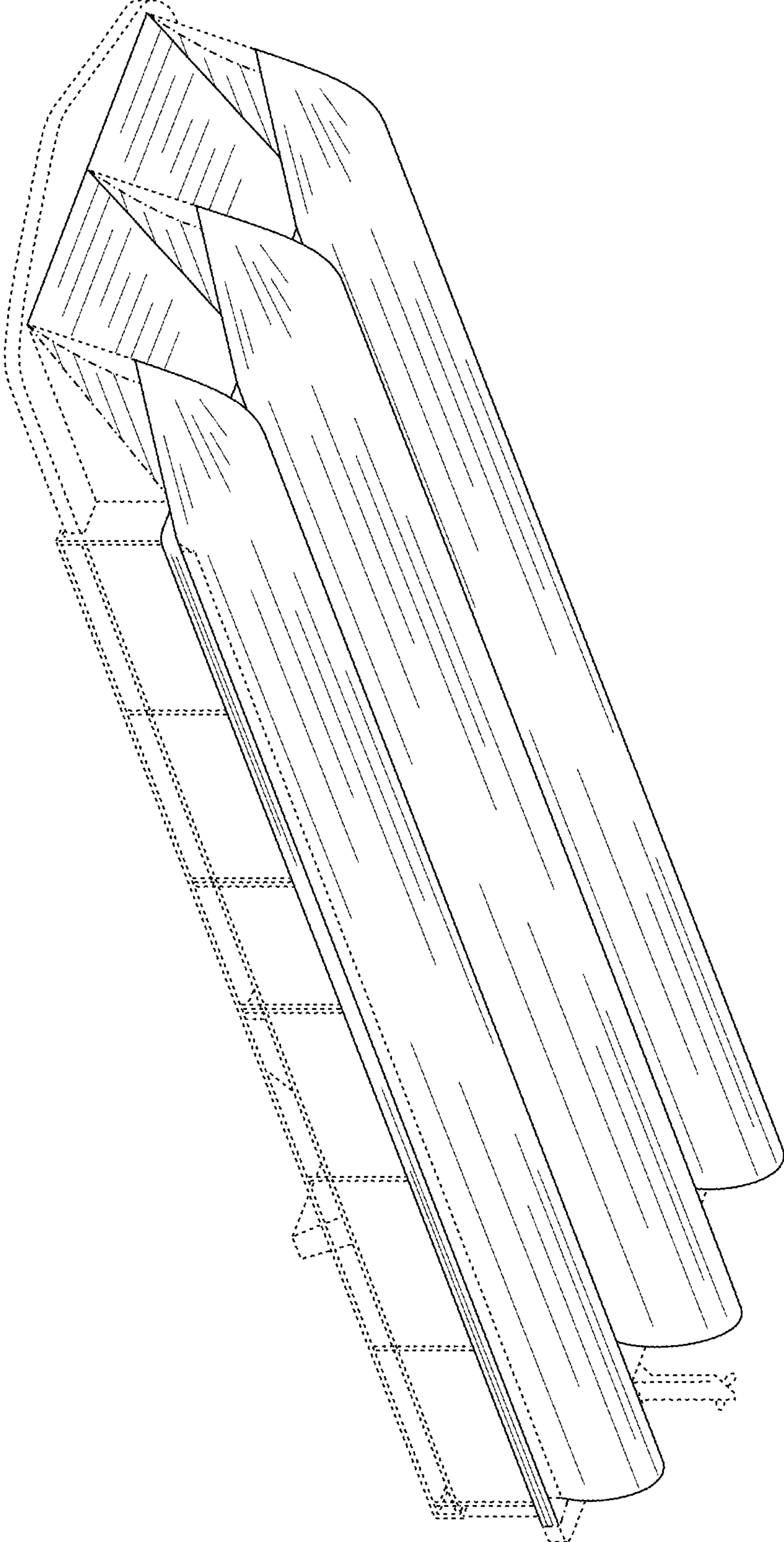


Fig. 10

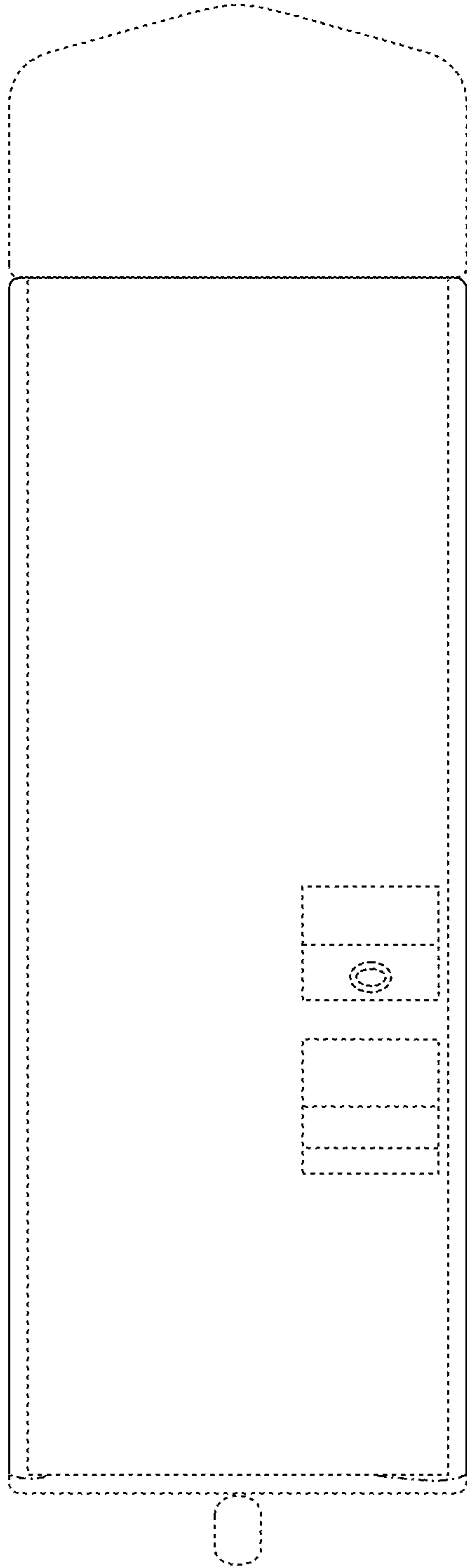


Fig. 11

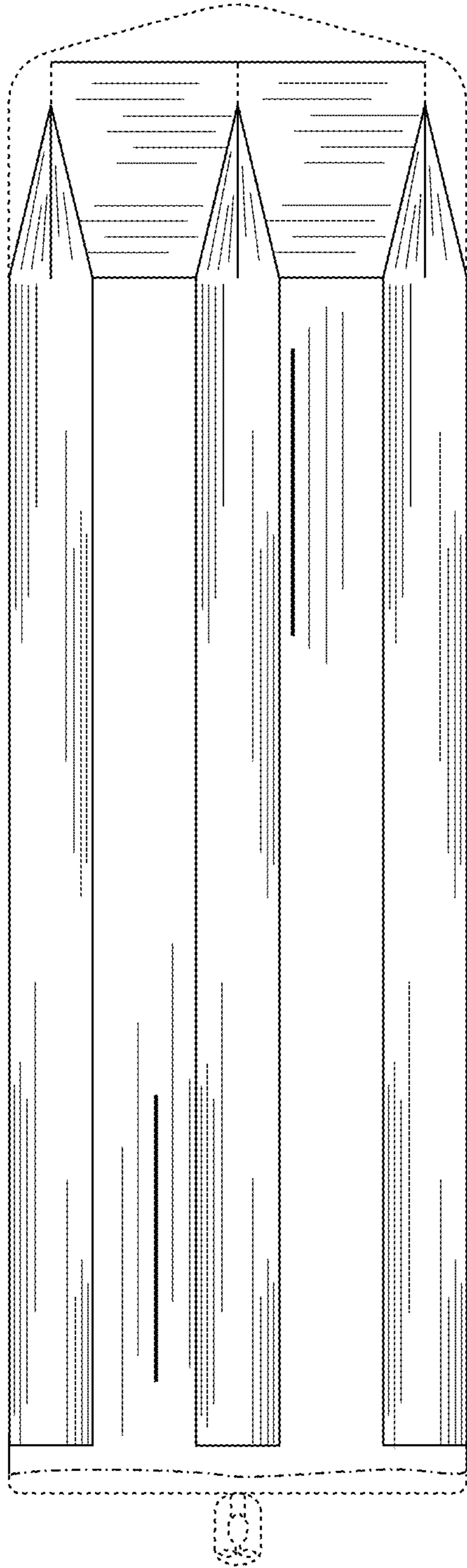


Fig. 12

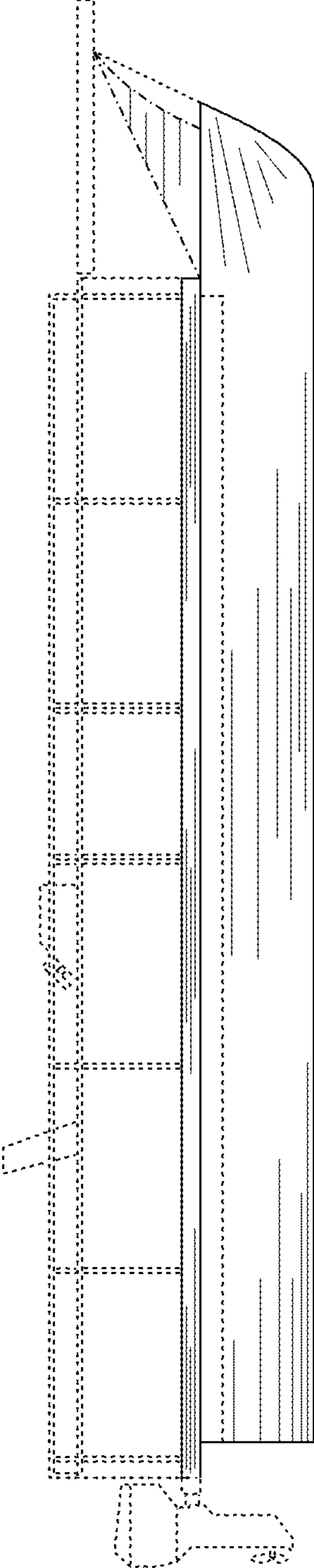


Fig. 13

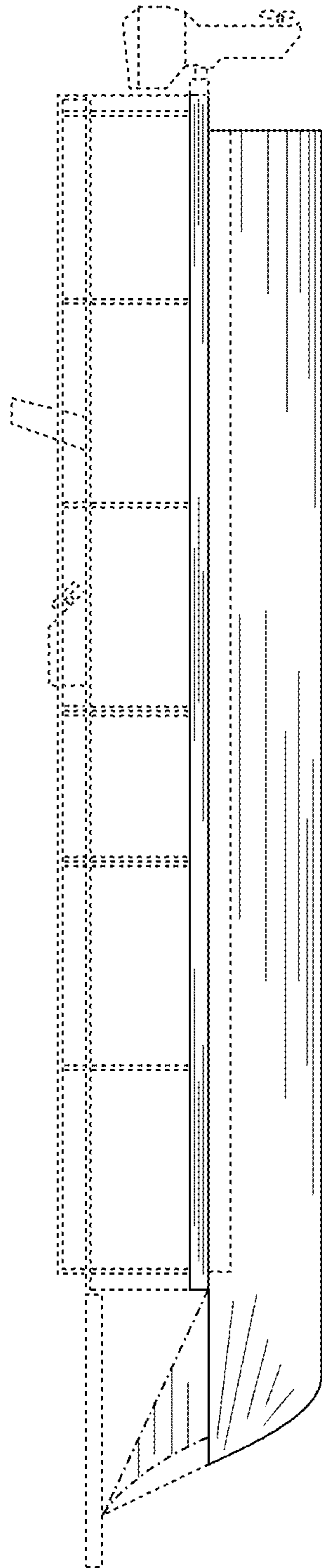


Fig. 14



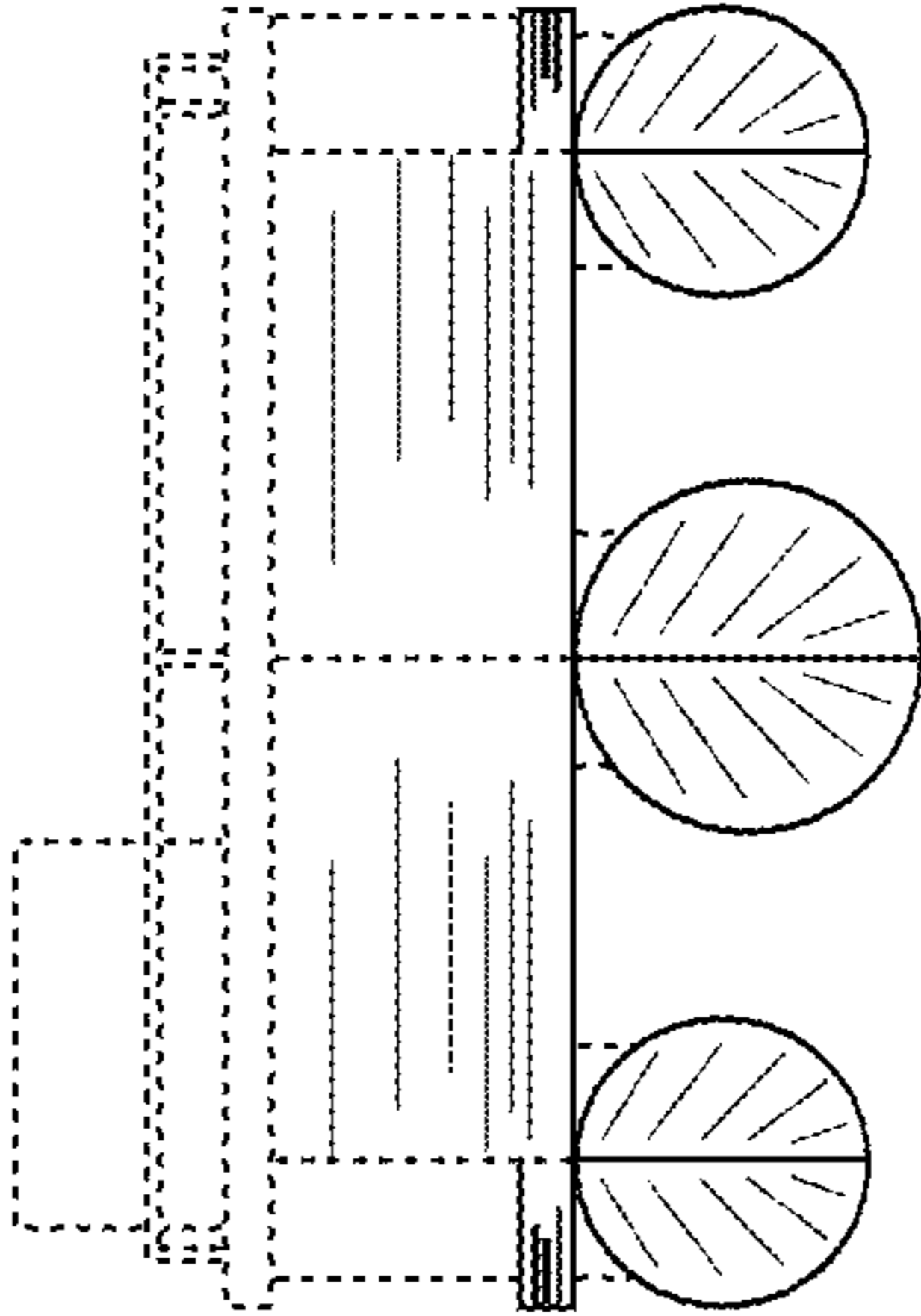


Fig. 15

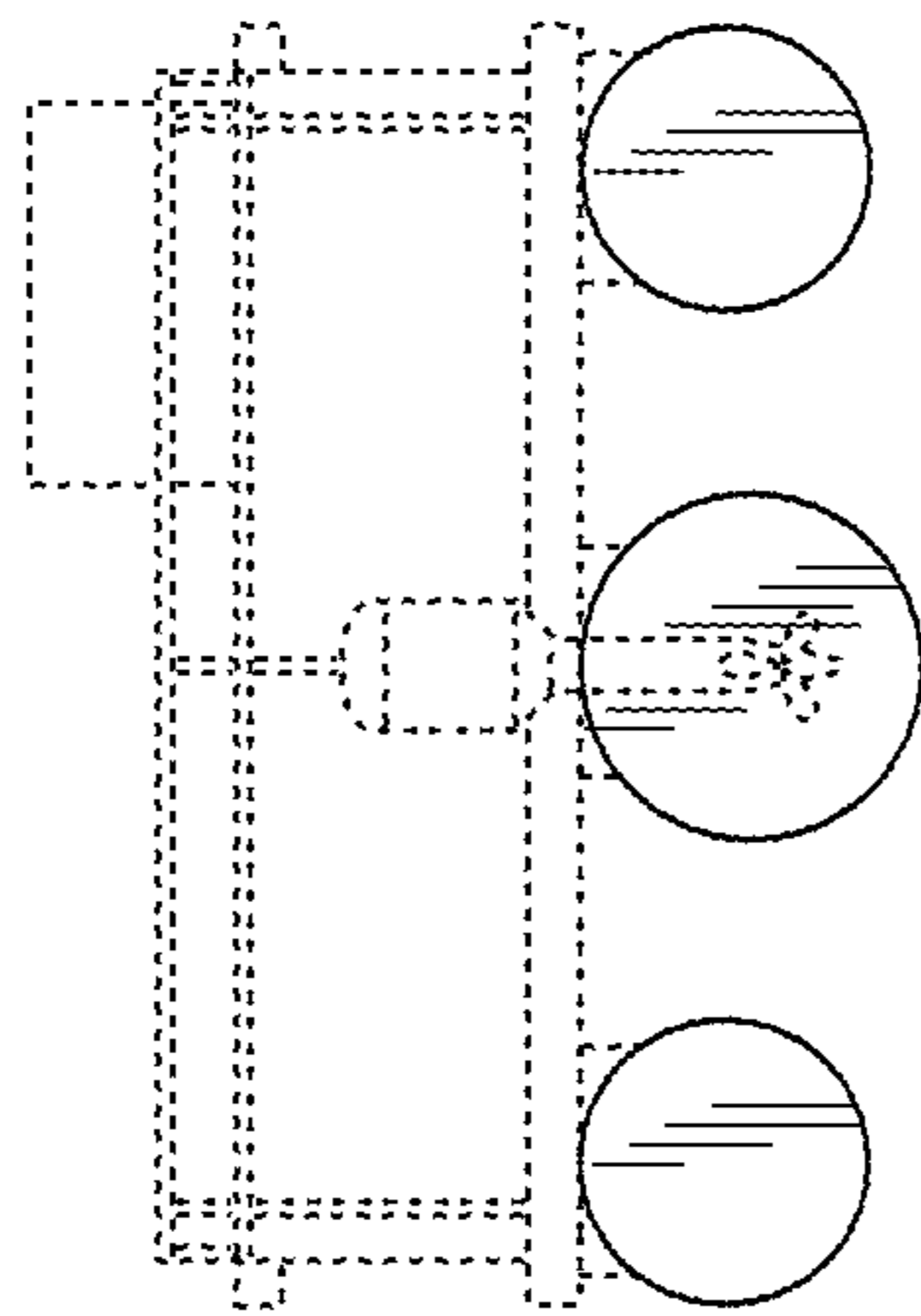


Fig. 16