



US00D895525S

(12) **United States Design Patent**
Lecointre et al.

(10) **Patent No.:** **US D895,525 S**

(45) **Date of Patent:** **** Sep. 8, 2020**

- (54) **WATERCRAFT BOW**
- (71) Applicant: **BOMBARDIER RECREATIONAL PRODUCTS INC., Valcourt (CA)**
- (72) Inventors: **Alexandre Lecointre, Sherbrooke (CA); Charles-Edouard Berche, Bromont (CA); Francois Chenevert, Sherbrooke (CA)**
- (73) Assignee: **BOMBARDIER RECREATIONAL PRODUCTS INC., Valcourt (CA)**

(**) Term: **15 Years**

(21) Appl. No.: **29/662,703**

(22) Filed: **Sep. 7, 2018**

(51) **LOC (12) Cl.** **12-06**

(52) **U.S. Cl.**
USPC **D12/312; D12/317**

(58) **Field of Classification Search**
USPC D12/300, 303, 307, 310, 317, 318, 304, D12/306, 308, 312, 313, 314, 315, 316, D12/413; D14/300; D21/542, 544
CPC B63B 1/00; B63B 1/042; B63B 1/125; B63B 7/00; B63B 34/10; B63B 34/14; B63H 8/00; B63H 9/00
See application file for complete search history.

(56) **References Cited**

U.S. PATENT DOCUMENTS

- D197,363 S * 1/1964 Stevens D12/311
- D201,109 S * 5/1965 Stevens D12/312
- 3,191,572 A * 6/1965 Wilson B63B 1/38 440/38
- D219,795 S * 1/1971 Field D12/312
- D220,407 S * 4/1971 Kovach D12/312
- D226,239 S * 1/1973 Varner D12/312
- 4,348,972 A * 9/1982 Parsons B63B 1/042 114/357
- D267,866 S * 2/1983 Parsons D12/311

- 4,672,905 A * 6/1987 Pipkorn B63B 1/042 114/290
- D301,573 S * 6/1989 Fuller D12/300
- 9,242,700 B1 * 1/2016 Viviani B63H 1/26

OTHER PUBLICATIONS

Rinker Flotilla III triple fiberglass deck boat, www.listedbuy.com [online]. Published on Apr. 15, 2018, [retrieved on Apr. 23, 2020]. Retrieved from the Internet: <URL:https://www.listedbuy.com/boats/pontoon/richardson-tx/rinker-flotilla-iii-triple-fiberglass-deck-boat> (Year: 2018).*

* cited by examiner

Primary Examiner — Karen E Kearney

Assistant Examiner — Adam C Mager

(74) *Attorney, Agent, or Firm* — BCF LLP

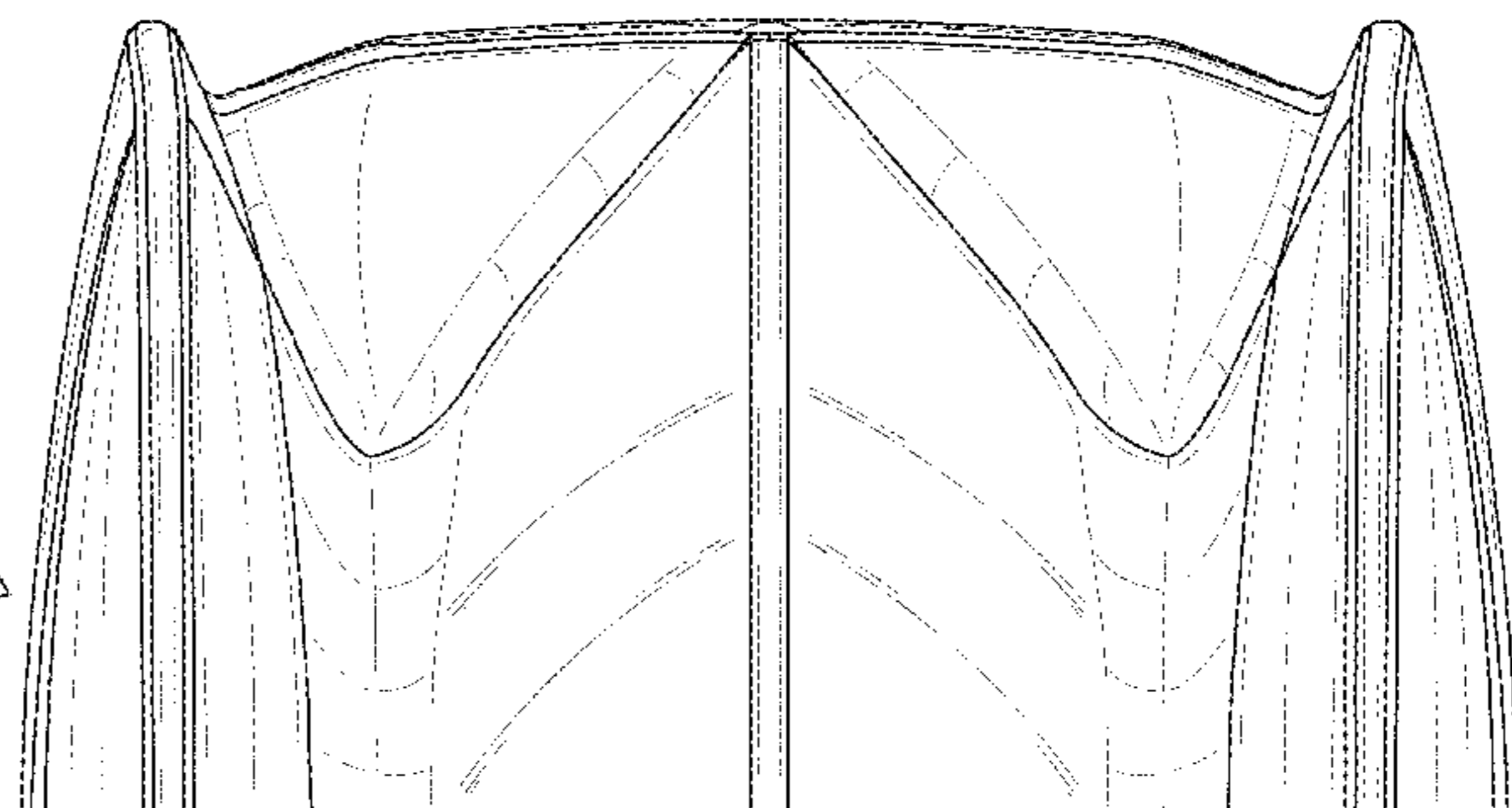
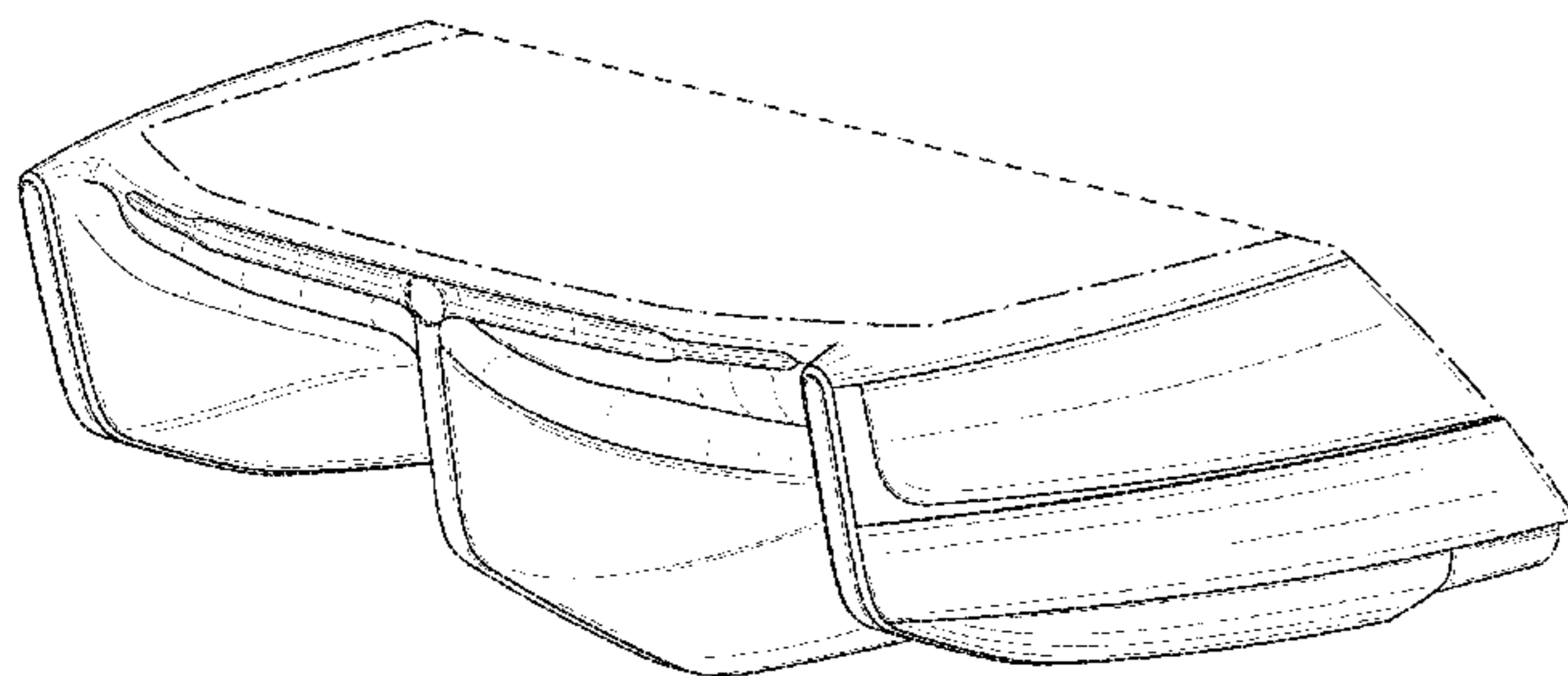
(57) **CLAIM**

The ornamental design for a watercraft bow, as shown and described.

DESCRIPTION

FIG. 1 is a perspective view, taken from a front, left side of a watercraft bow according to our design; FIG. 2 is a top plan view thereof; FIG. 3 is a front elevation view thereof; FIG. 4 is a left side elevation view thereof, a right side elevation view being a mirror image of the left side elevation view; and, FIG. 5 is a bottom plan view thereof. The dashed lines showing portions of the watercraft bow form no part of the claimed design; and the dotted/dashed lines illustrate the bounds of the claimed design and form no part thereof.

1 Claim, 5 Drawing Sheets



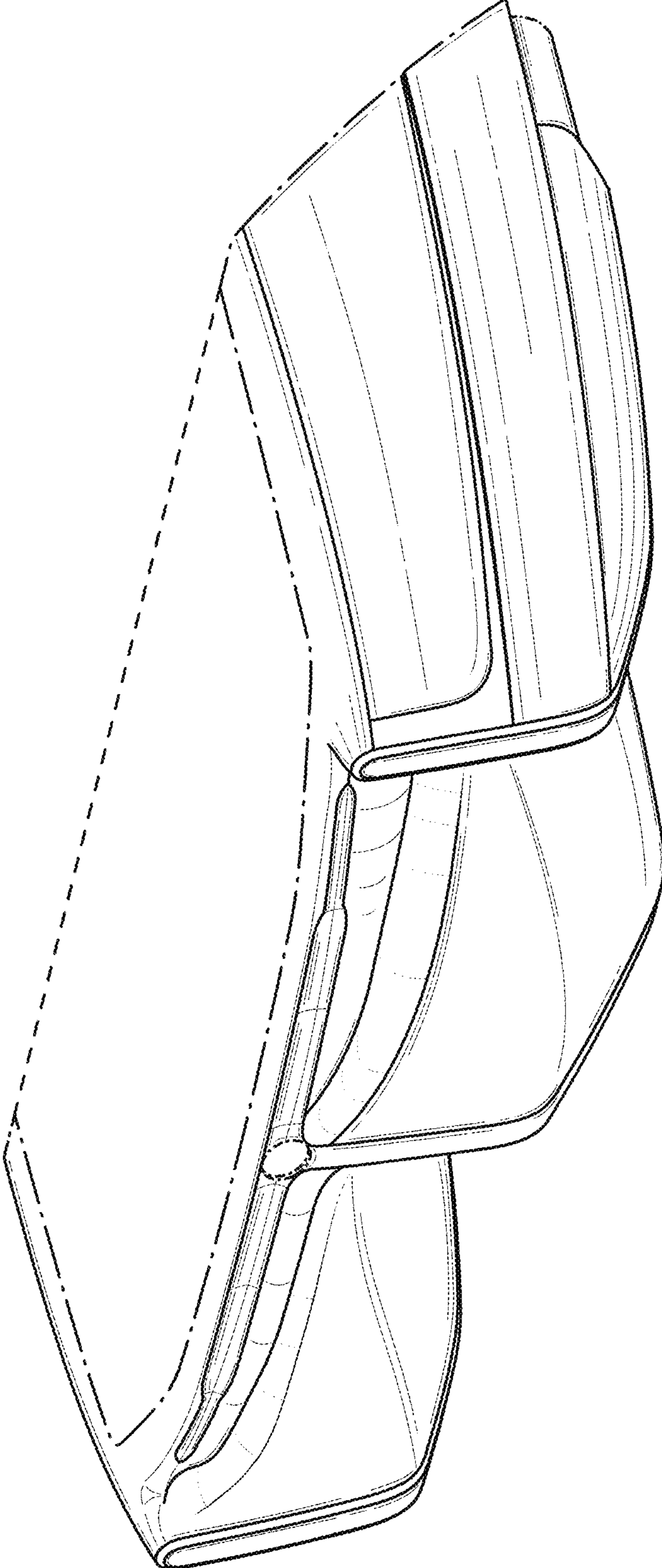


Fig. 1

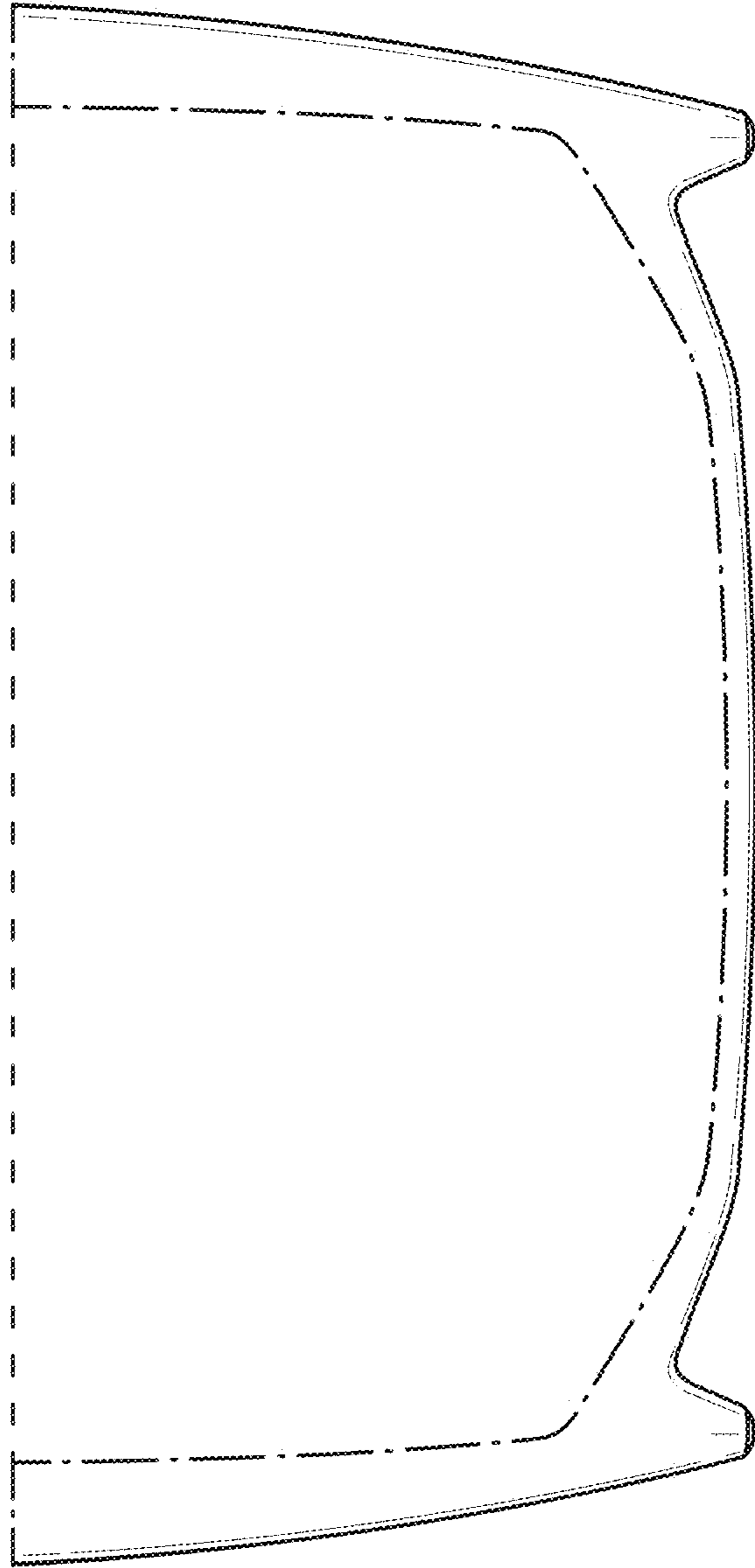


Fig. 2

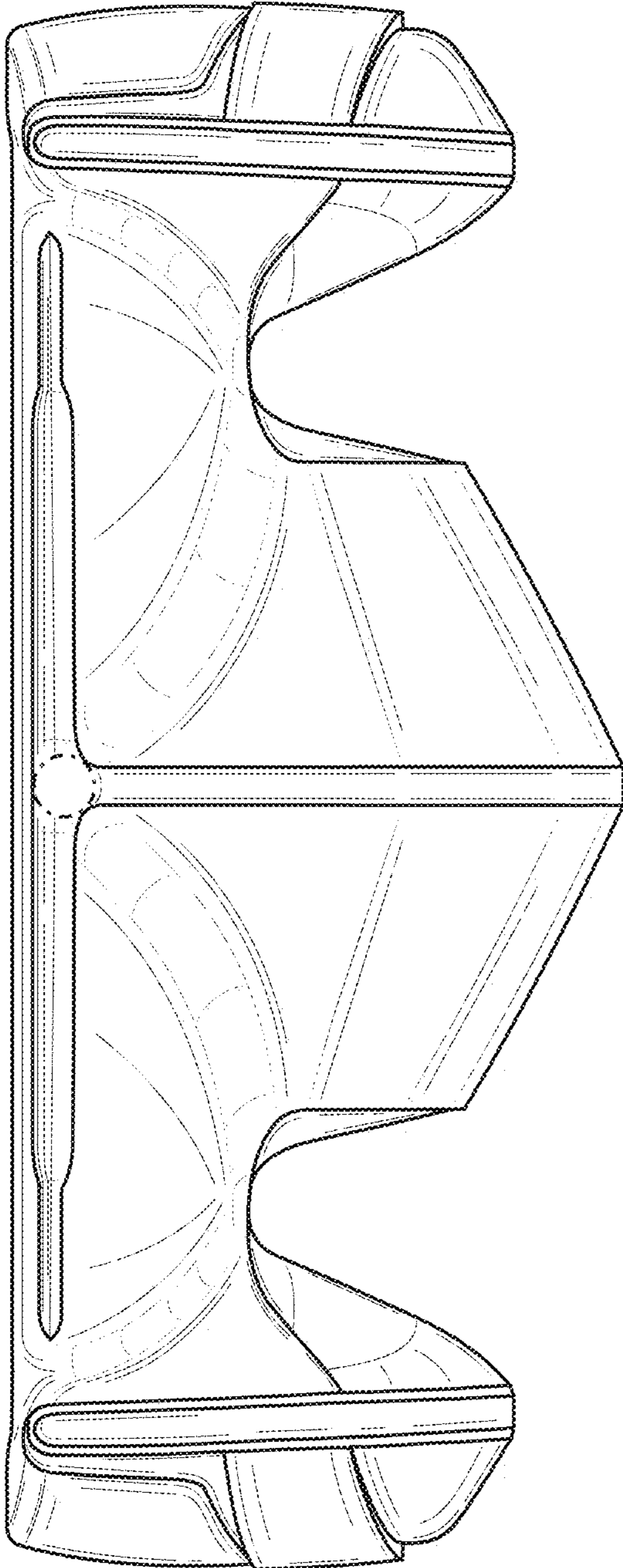


Fig. 3

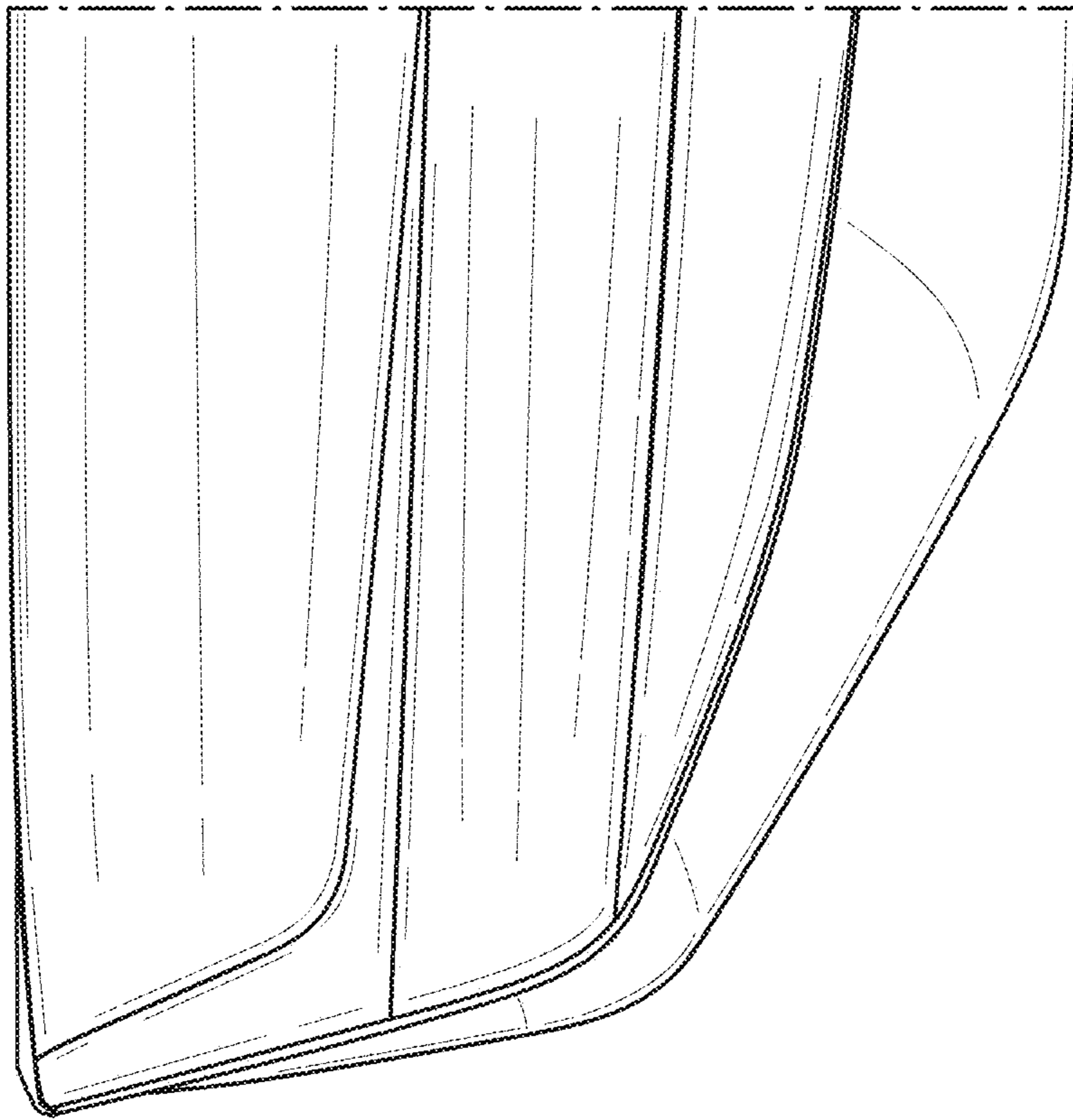


Fig. 4

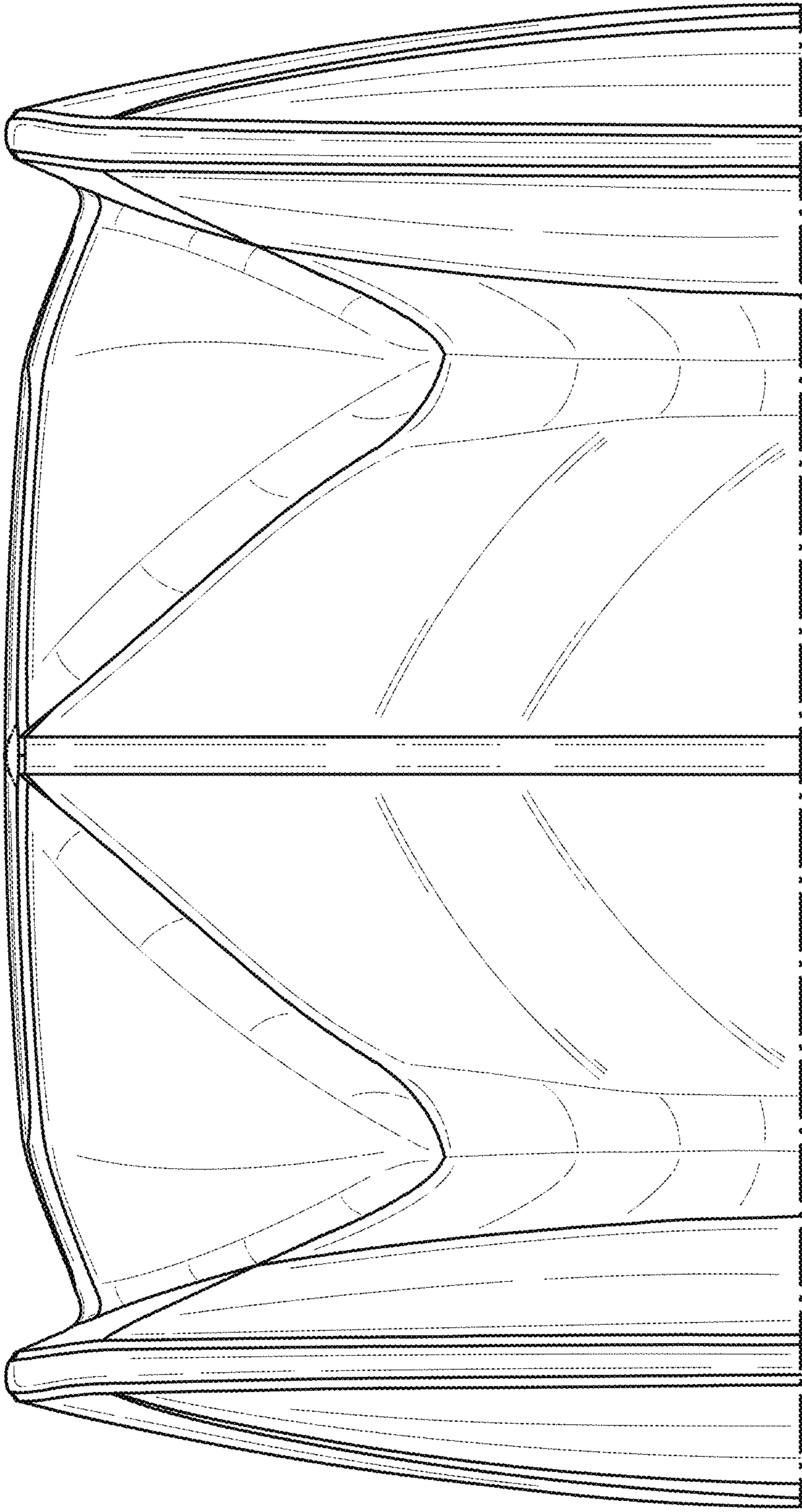


Fig. 5