



US00D895524S

(12) **United States Design Patent** (10) **Patent No.:** **US D895,524 S**
Skeie (45) **Date of Patent:** **** Sep. 8, 2020**

(54) **OPERATOR WORKSTATION FOR VESSELS**

Primary Examiner — George D. Kirschbaum

(71) Applicant: **Kongsberg Maritime AS**, Kongsberg (NO)

Assistant Examiner — Joseph J Kukella

(74) *Attorney, Agent, or Firm* — Shackelford, Bowen, McKinley & Norton, LLP

(72) Inventor: **Stig Olav Skeie**, Stavem (NO)

(57) **CLAIM**

(73) Assignee: **Kongsberg Maritime AS**, Kongsberg (NO)

The ornamental design for an operator workstation for vessels, as shown and described.

(**) Term: **15 Years**

DESCRIPTION

(21) Appl. No.: **35/506,646**

1.-3. Operator workstations for vessels

(22) Filed: **Oct. 16, 2018**

1.1 : Top

1.2 : Front

(80) **Hague Agreement Data**

Int. Filing Date: **Oct. 16, 2018**

Int. Reg. No.: **DM/103367**

Int. Reg. Date: **Oct. 16, 2018**

Int. Reg. Pub. Date: **Apr. 19, 2019**

1.3 : Right

1.4 : Back

1.5 : Left

1.6 : Bottom

1.7 : Perspective

1.8 : Perspective

1.9 : Perspective

1.10 : Perspective

(51) **LOC (12) Cl.** **14-02**

(52) **U.S. Cl.**

USPC **D12/306**

(58) **Field of Classification Search**

USPC D13/158, 162, 162.1, 163, 164;
D14/127, 371, 306

CPC H05K 5/00; H05K 5/0004; H05K 5/0008;
H05K 5/0013; H05K 5/0017; H05K
5/0021; H05K 5/03; H05K 5/04

See application file for complete search history.

2.1 : Top

2.2 : Front

2.3 : Right

2.4 : Back

2.5 : Left

2.6 : Bottom

2.7 : Perspective

2.8 : Perspective

2.9 : Perspective

2.10 : Perspective

3.1 : Top

3.2 : Front

3.3 : Right

3.4 : Back

3.5 : Left

3.6 : Bottom

3.7 : Perspective

3.8 : Perspective

3.9 : Perspective

3.10 : Perspective

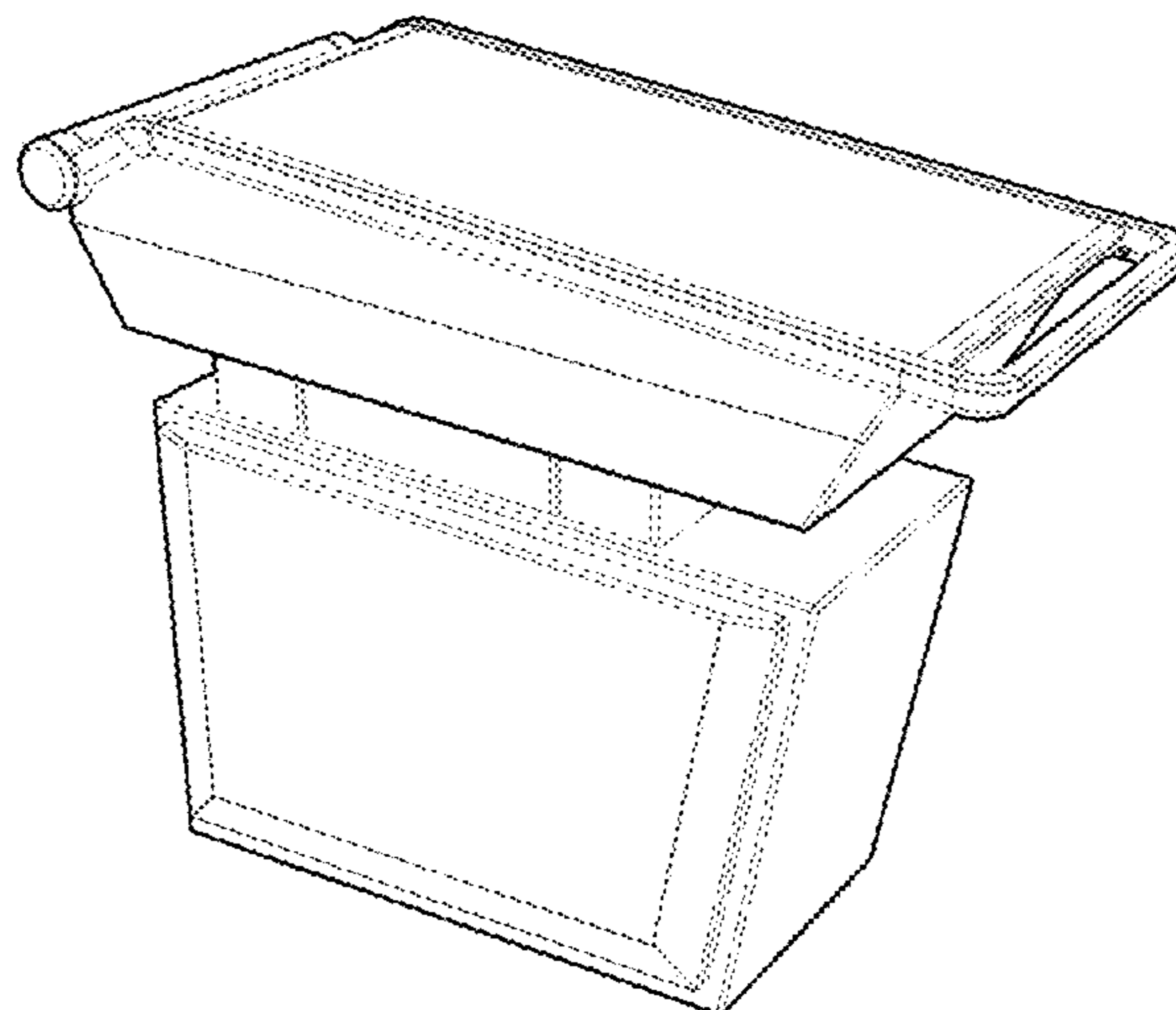
(56) **References Cited**

U.S. PATENT DOCUMENTS

D182,263 S *	3/1958	Wells	D14/306
D298,530 S *	11/1988	Vogel	D13/163
D341,575 S *	11/1993	Drabczyk	D14/306
D360,881 S *	8/1995	Johnson	D14/306
D372,226 S *	7/1996	Maguire, Jr.	D14/127
D436,354 S *	1/2001	Kodimer	D14/306
D476,325 S *	6/2003	Monson	D14/306

(Continued)

1 Claim, 30 Drawing Sheets



(56)

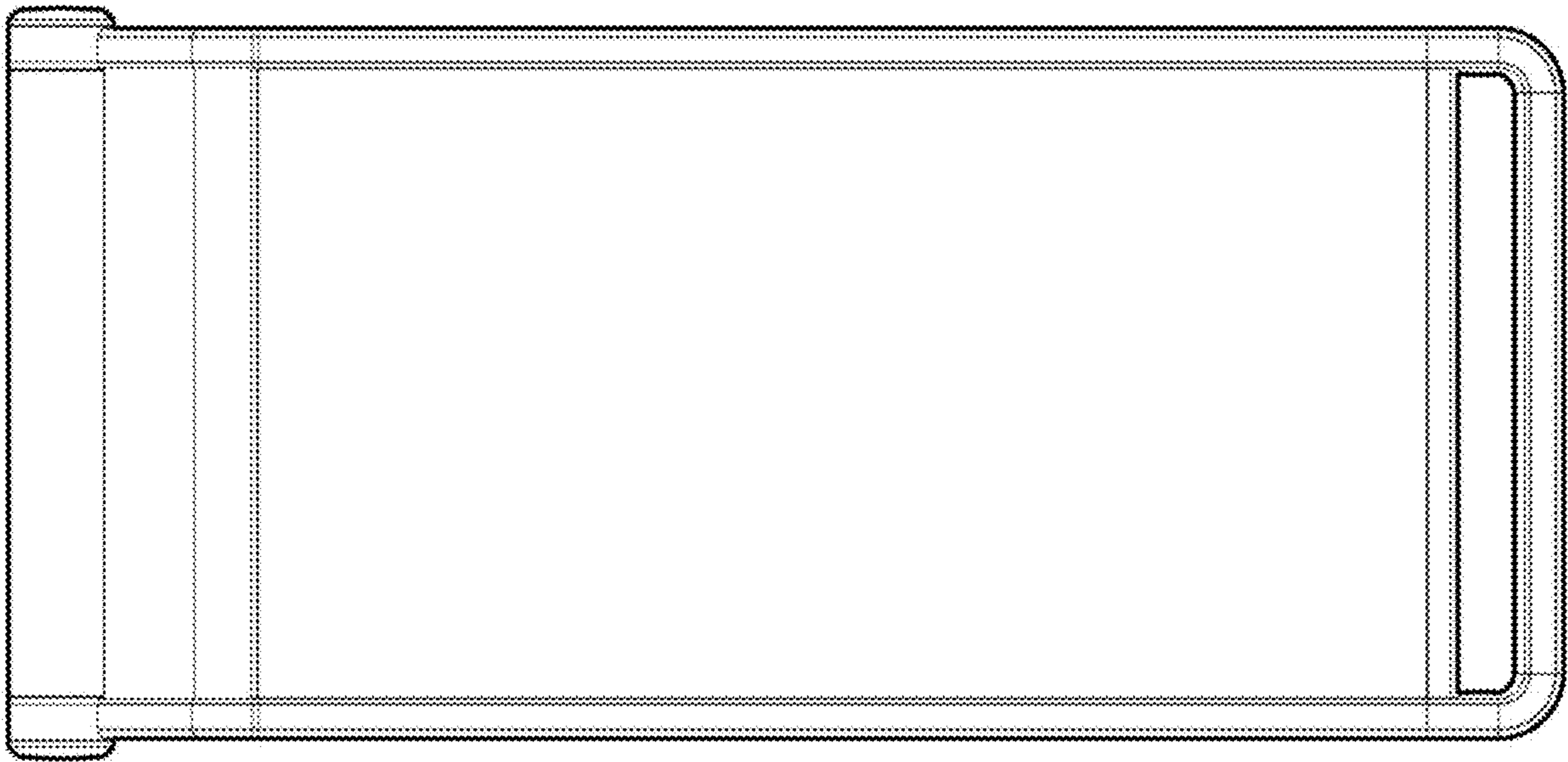
References Cited

U.S. PATENT DOCUMENTS

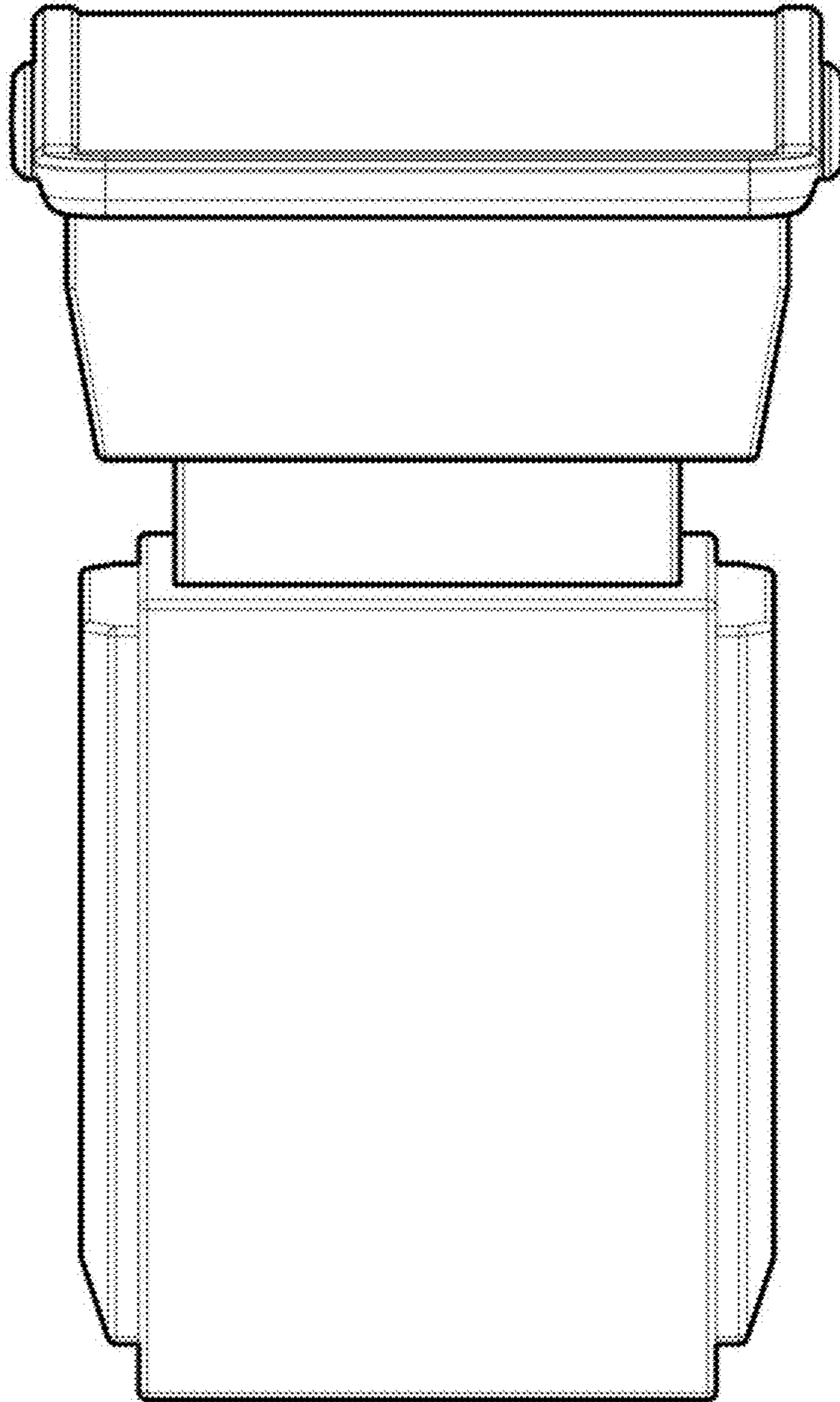
D650,777 S	*	12/2011	Suzuki	D14/306
D673,944 S	*	1/2013	Huertas Moya	D14/306
D720,710 S	*	1/2015	Aarrestad	D14/127
D747,307 S	*	1/2016	Moos	D14/306
D774,028 S	*	12/2016	Laycock	D14/306
D847,130 S	*	4/2019	Skeie	D14/306

* cited by examiner

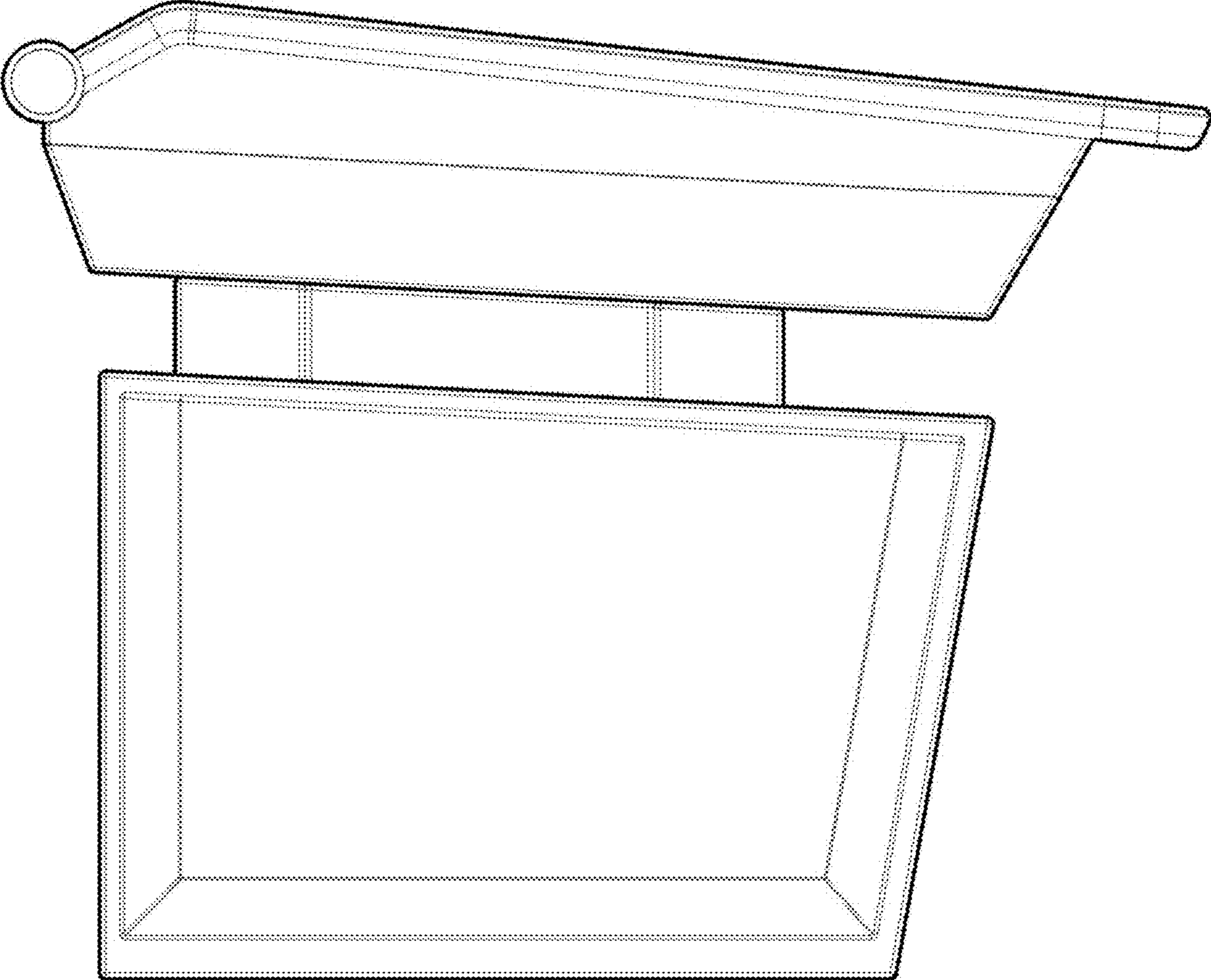
1.1



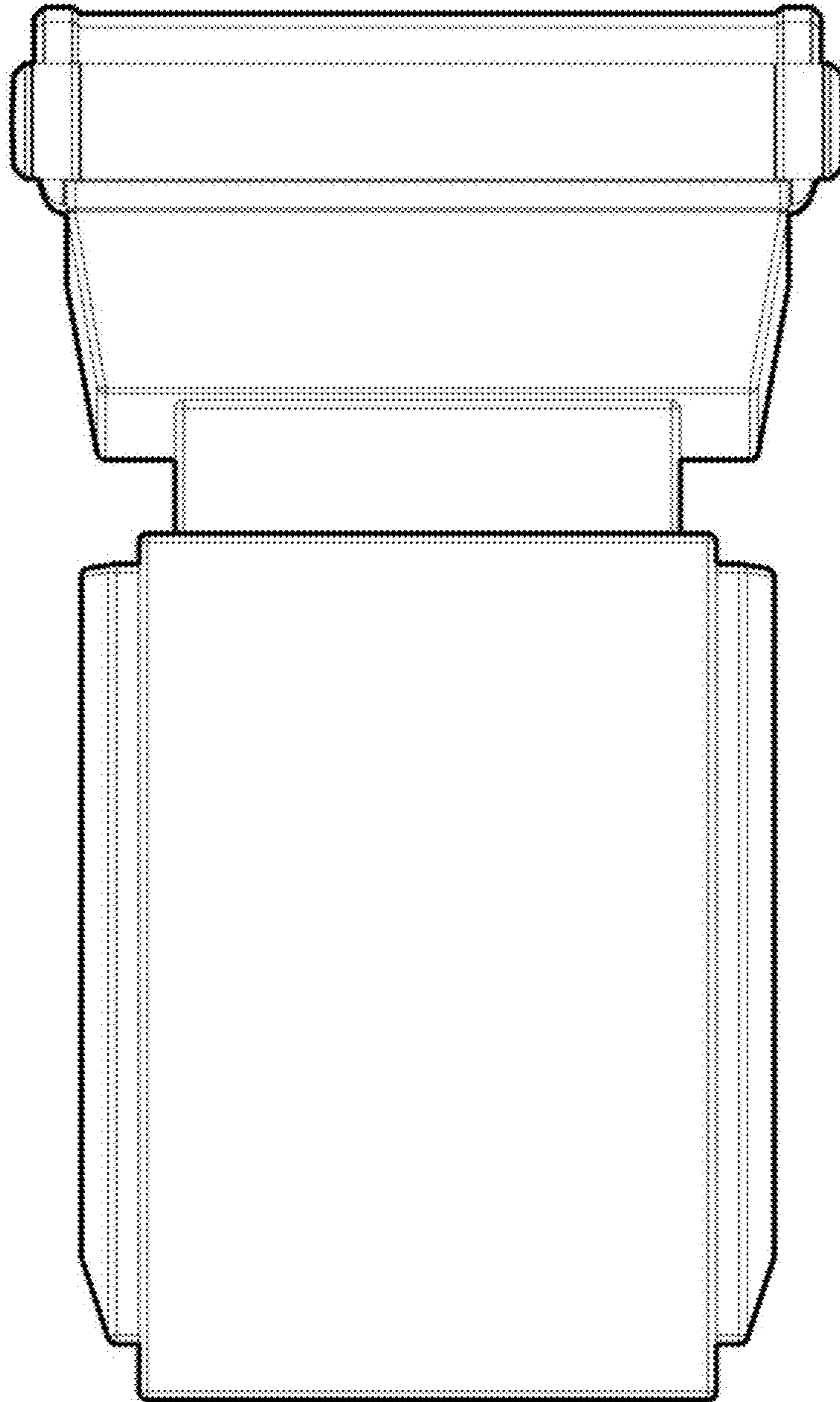
1.2



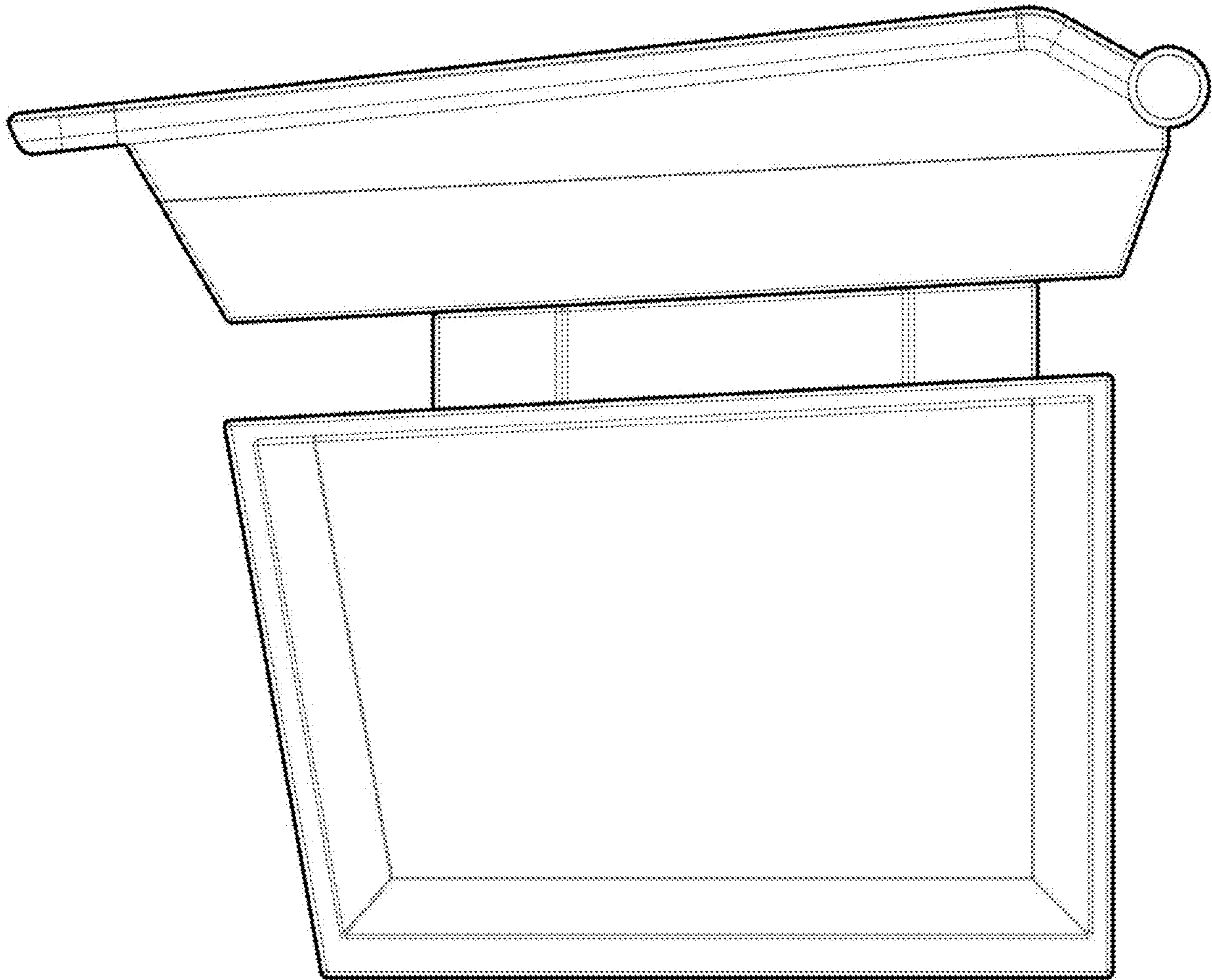
1.3



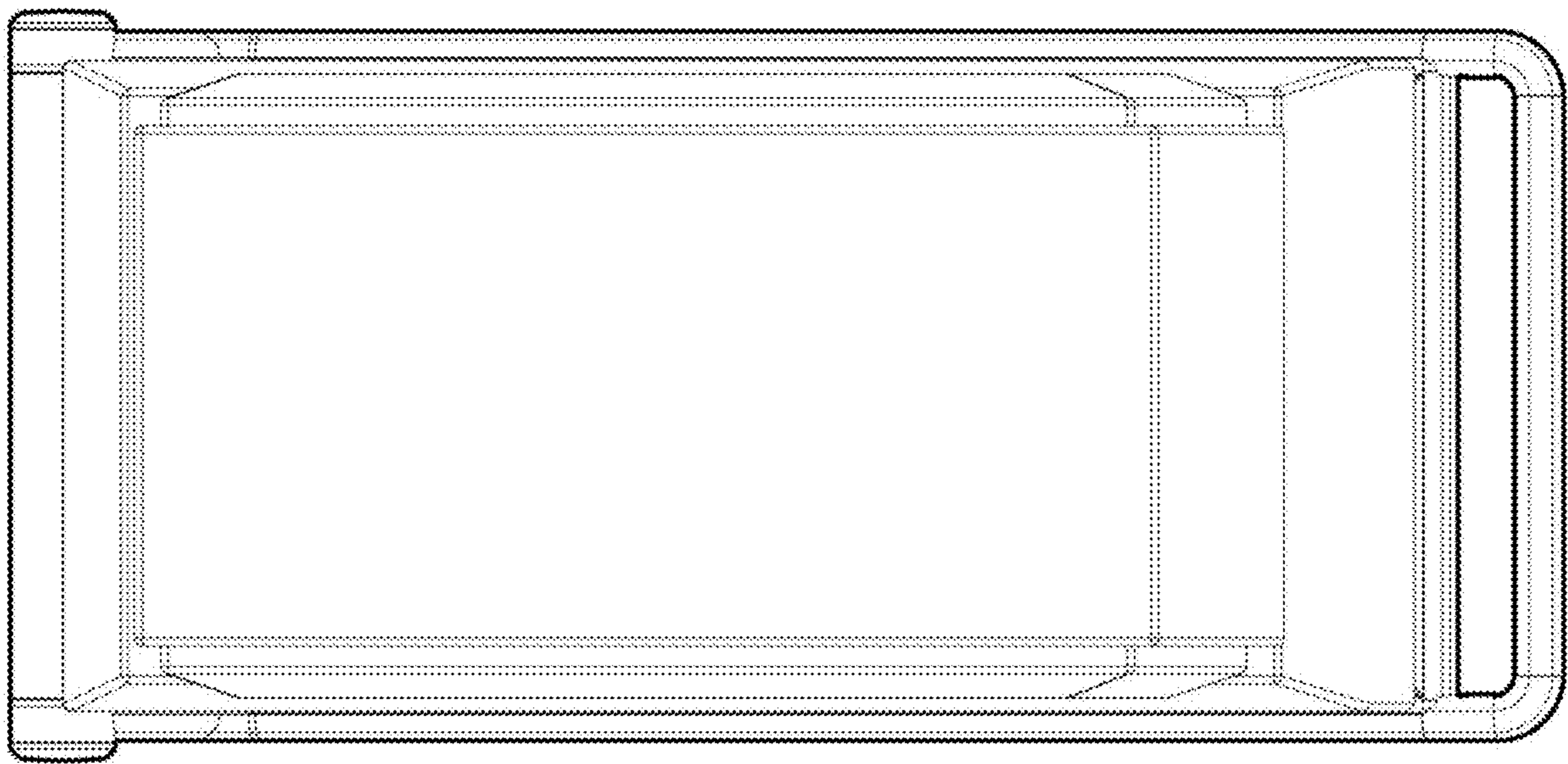
1.4



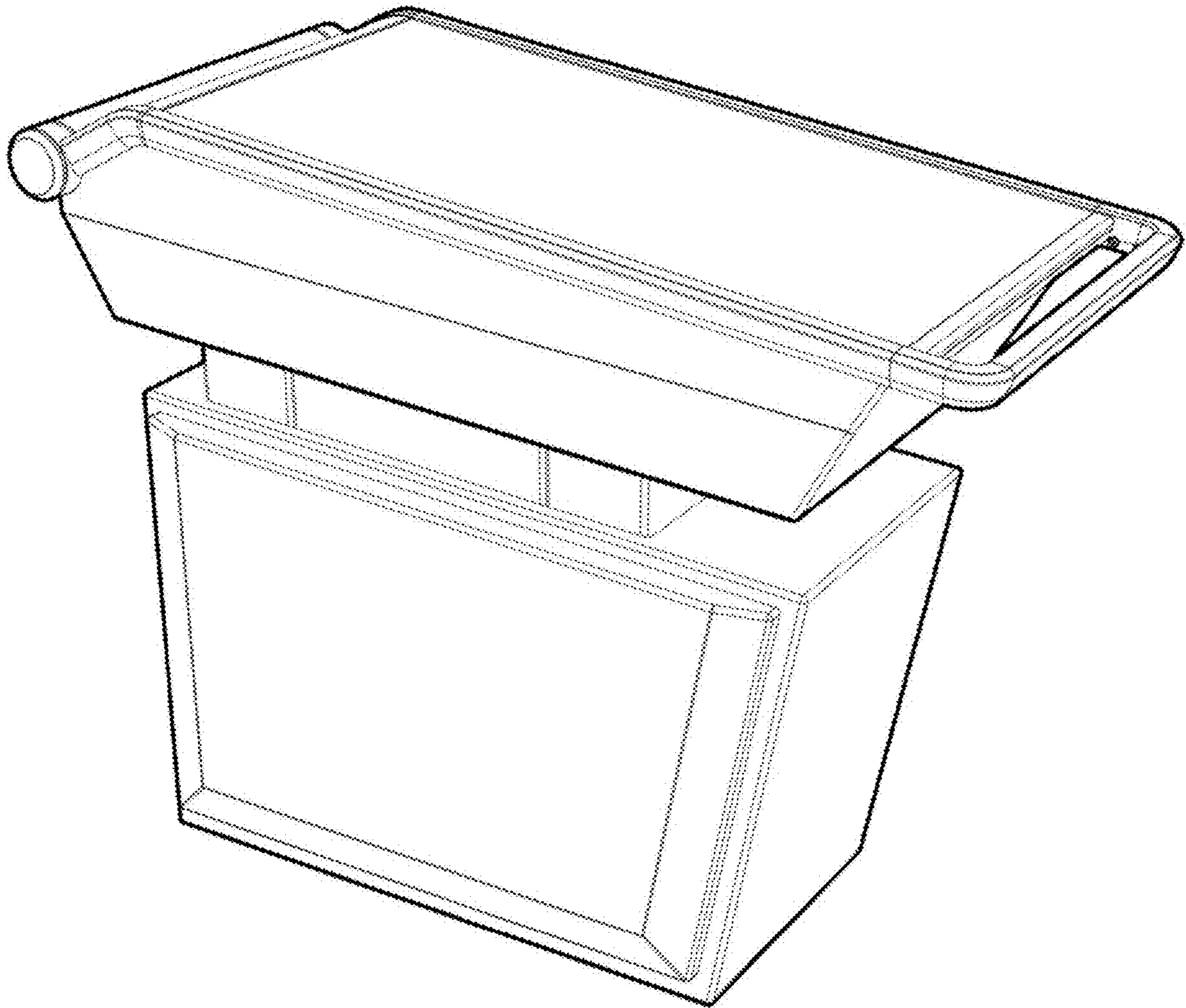
1.5



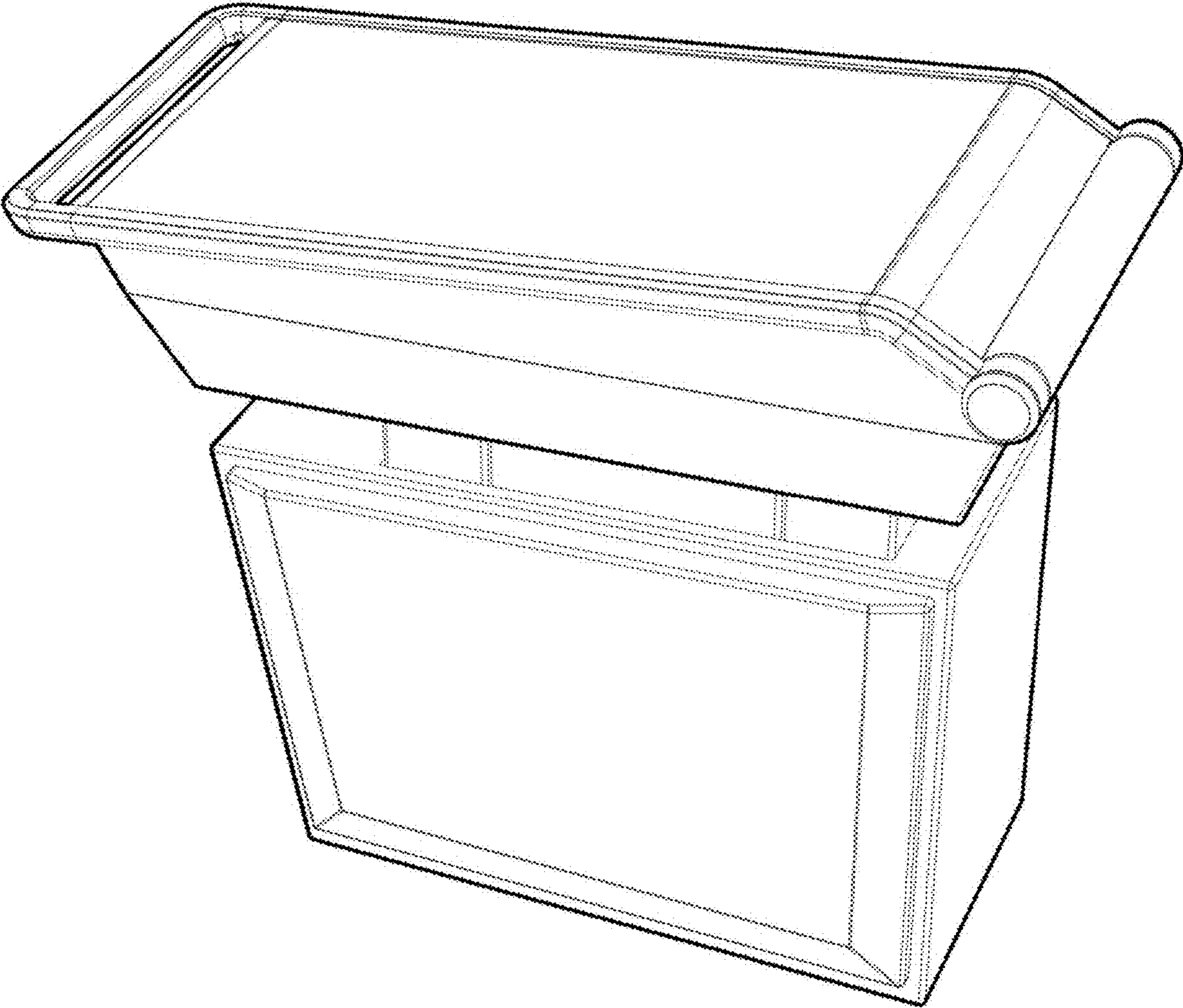
1.6



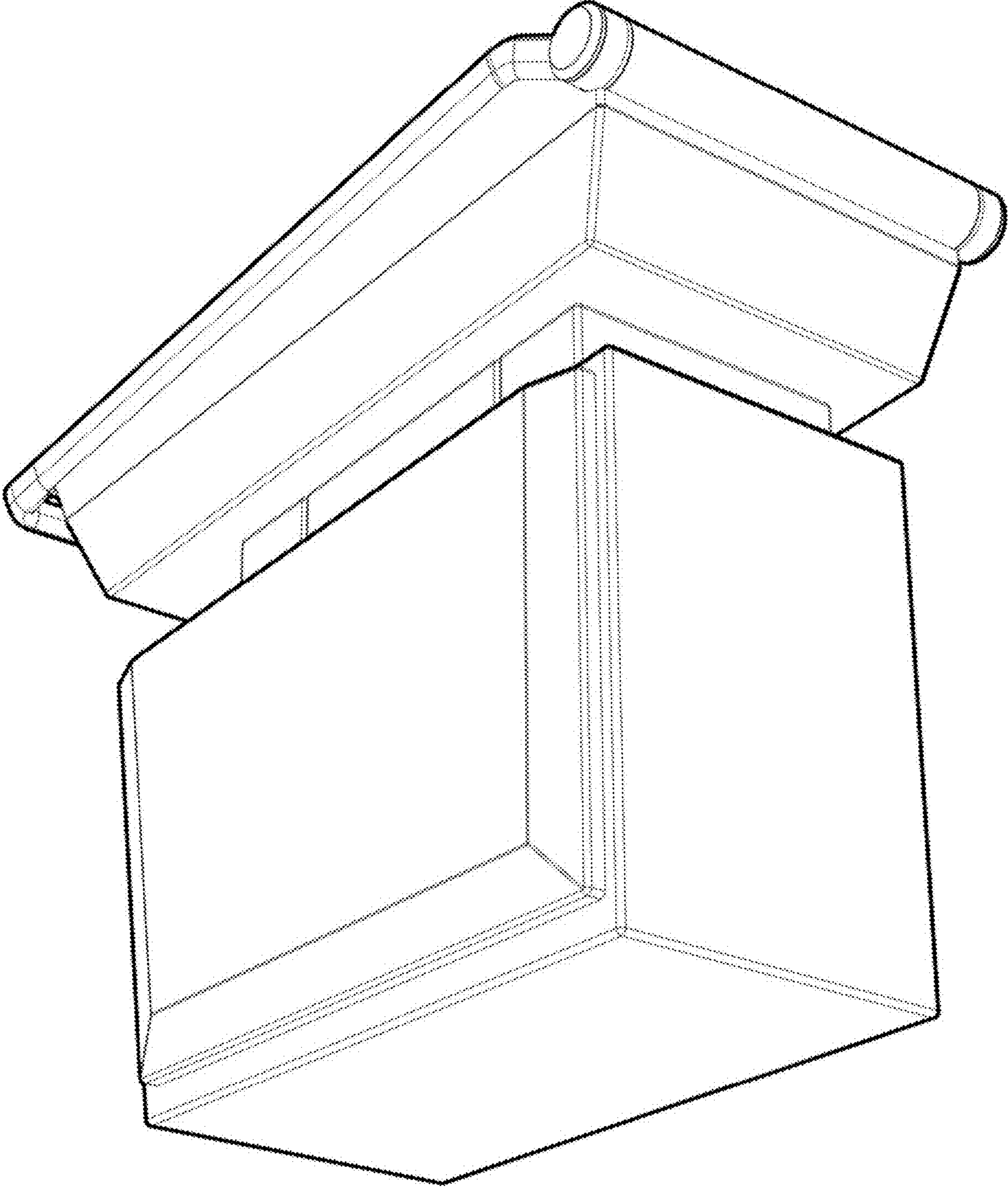
1.7



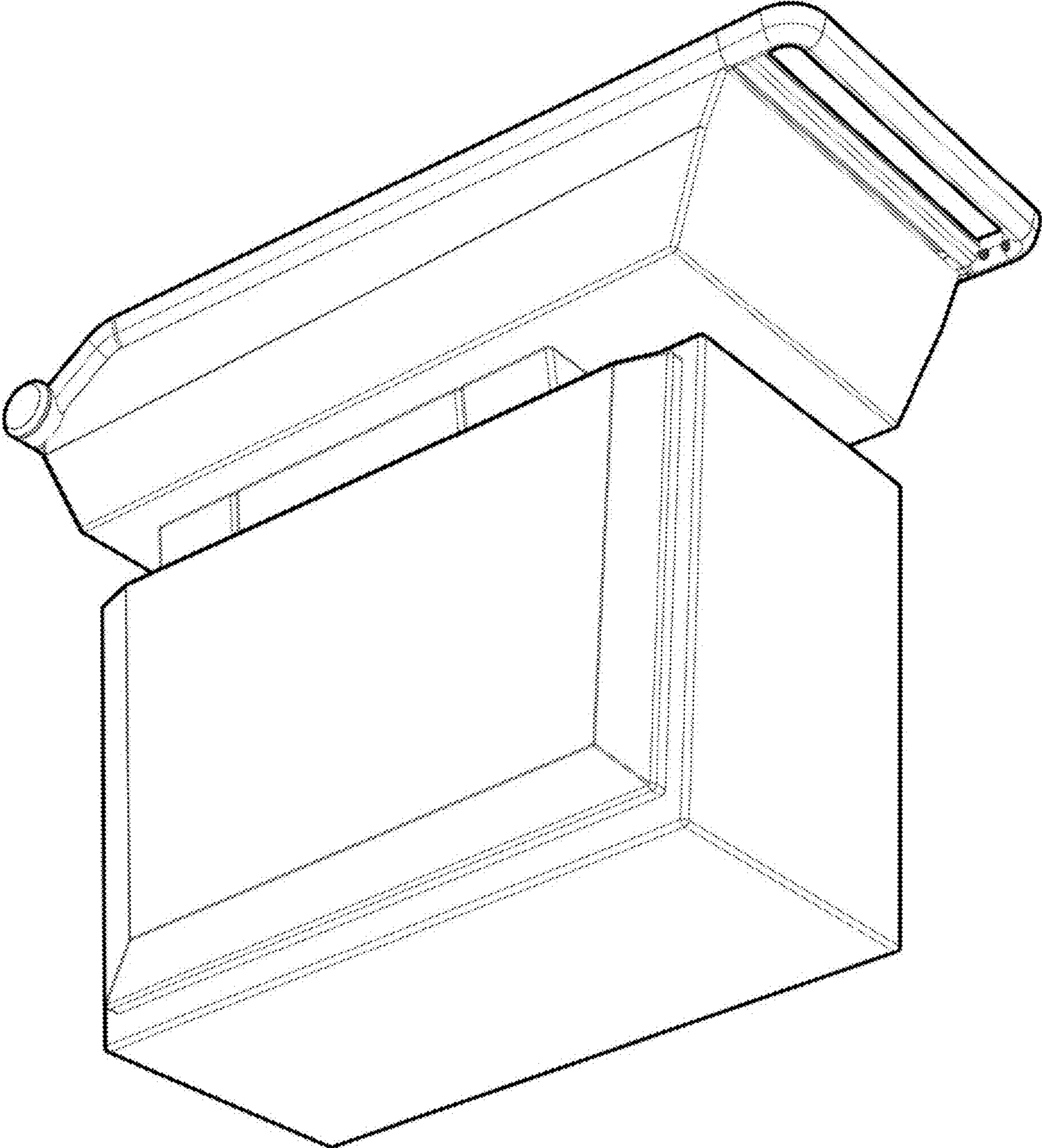
1.8



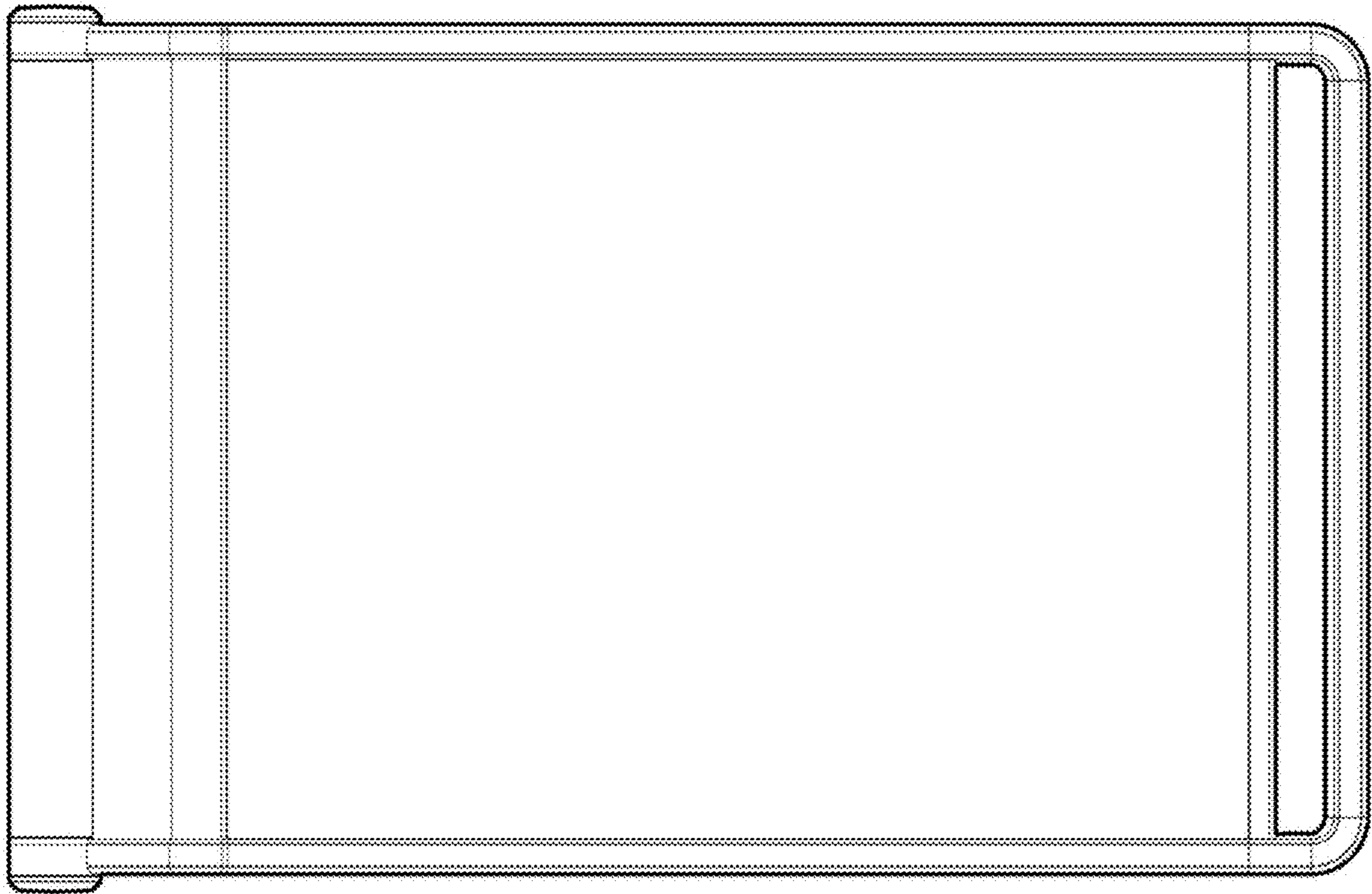
1.9



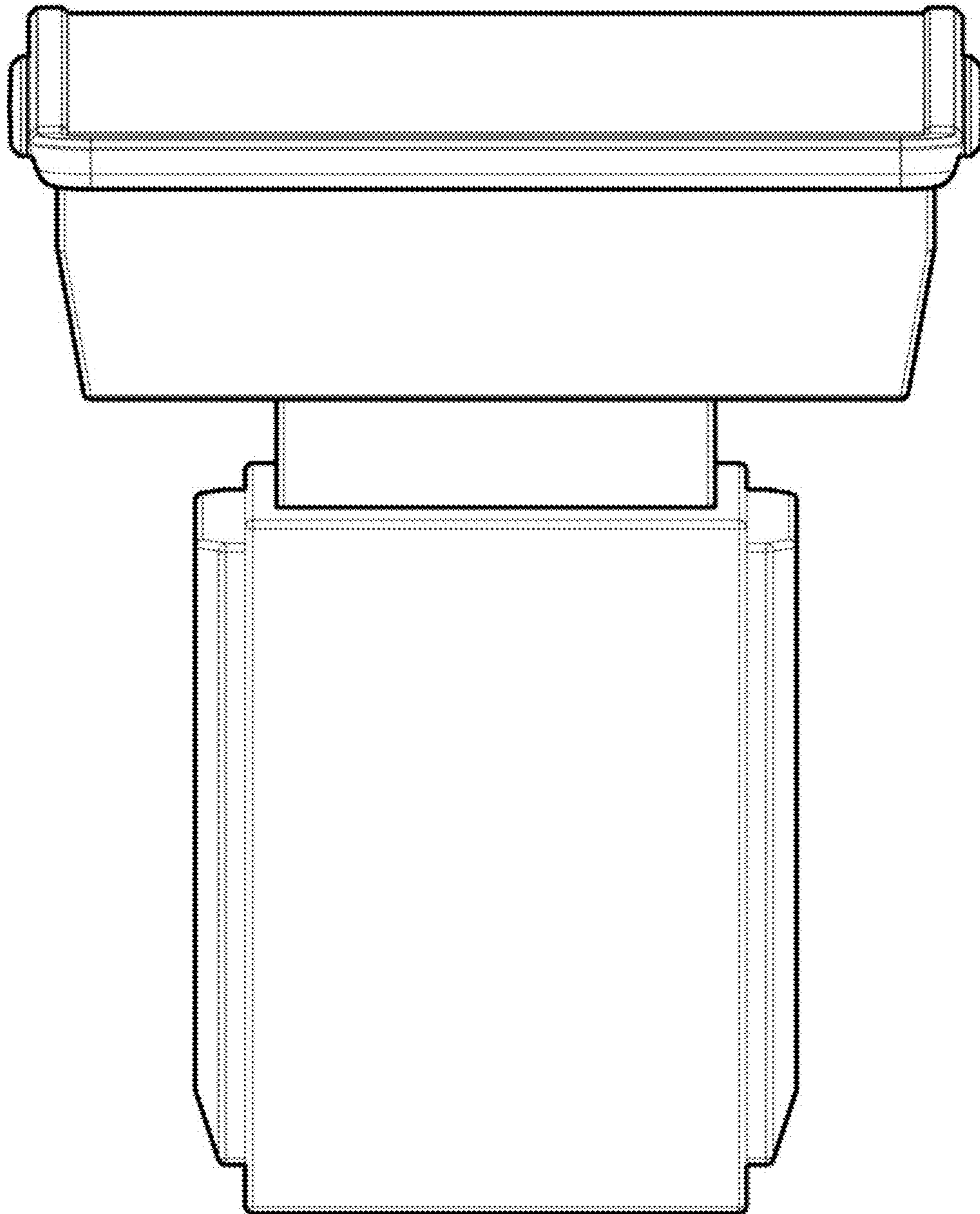
1.10



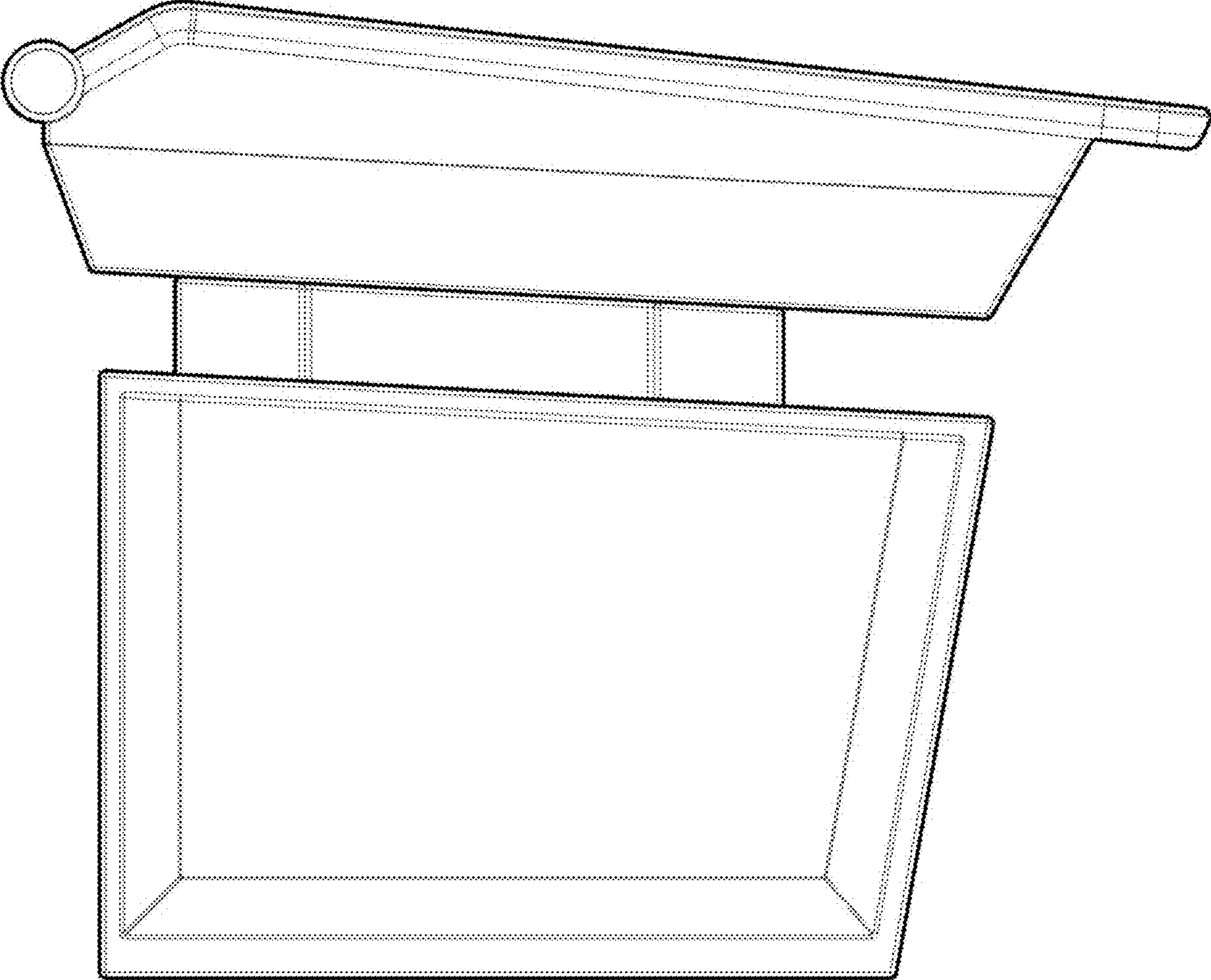
2.1



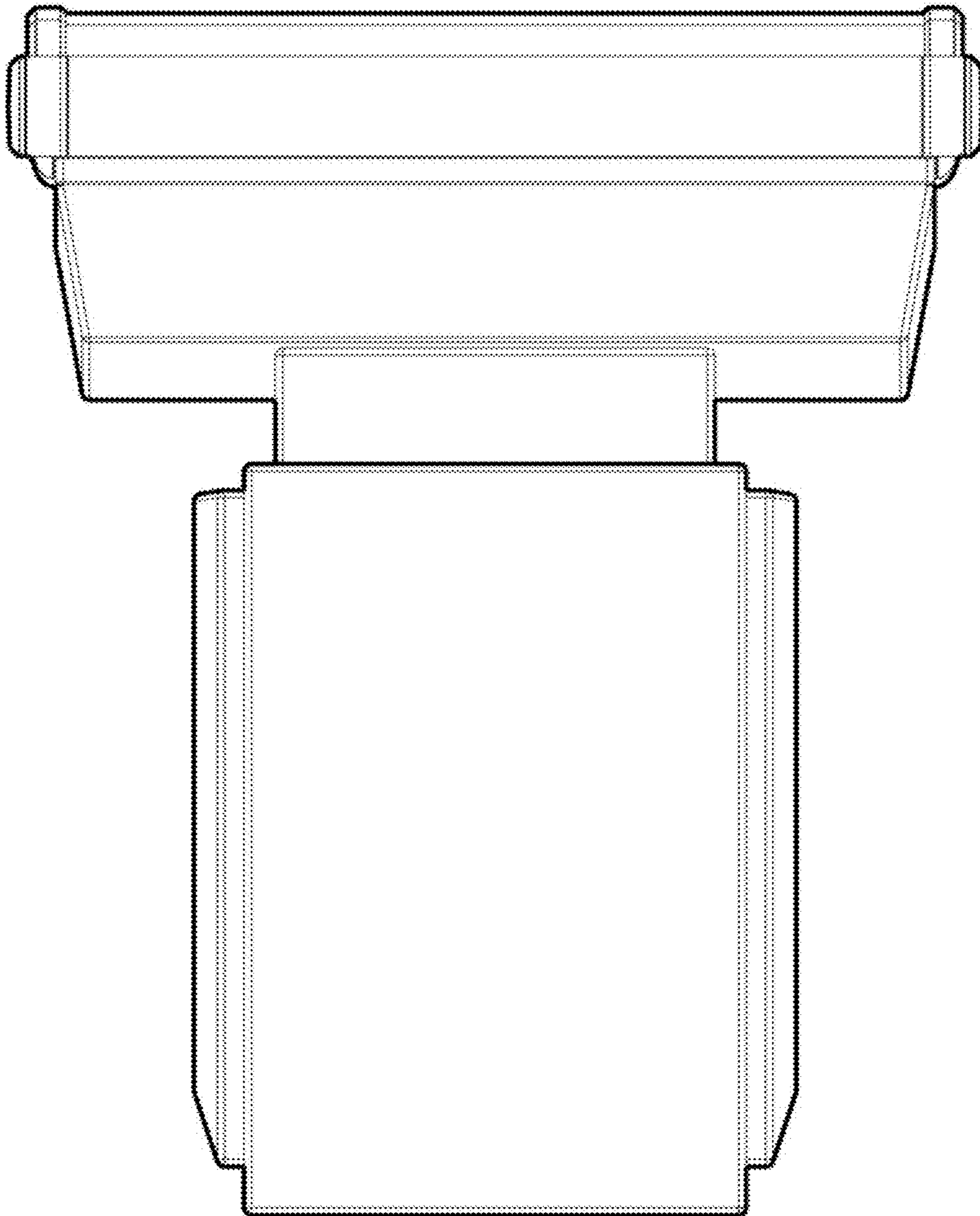
2.2



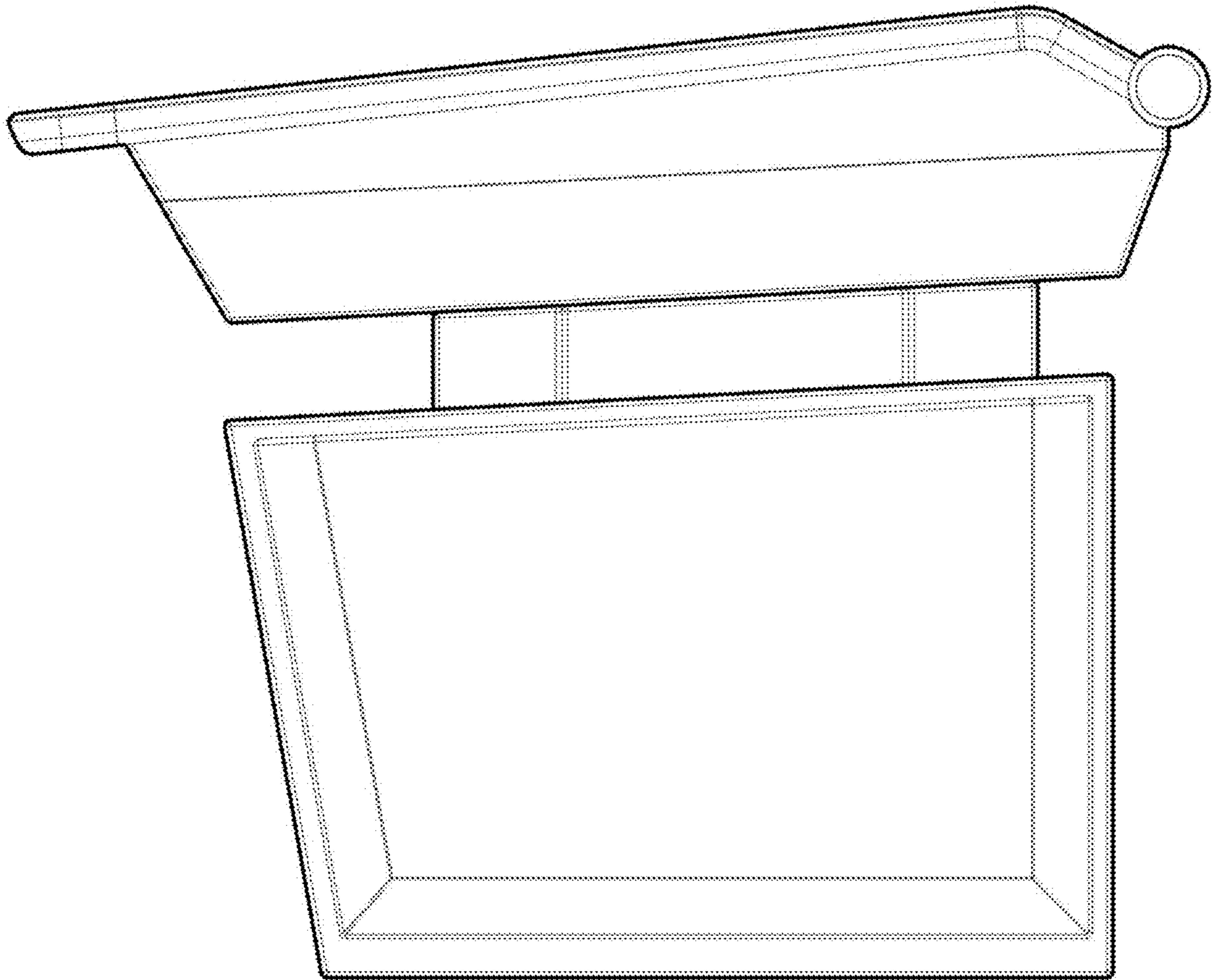
2.3



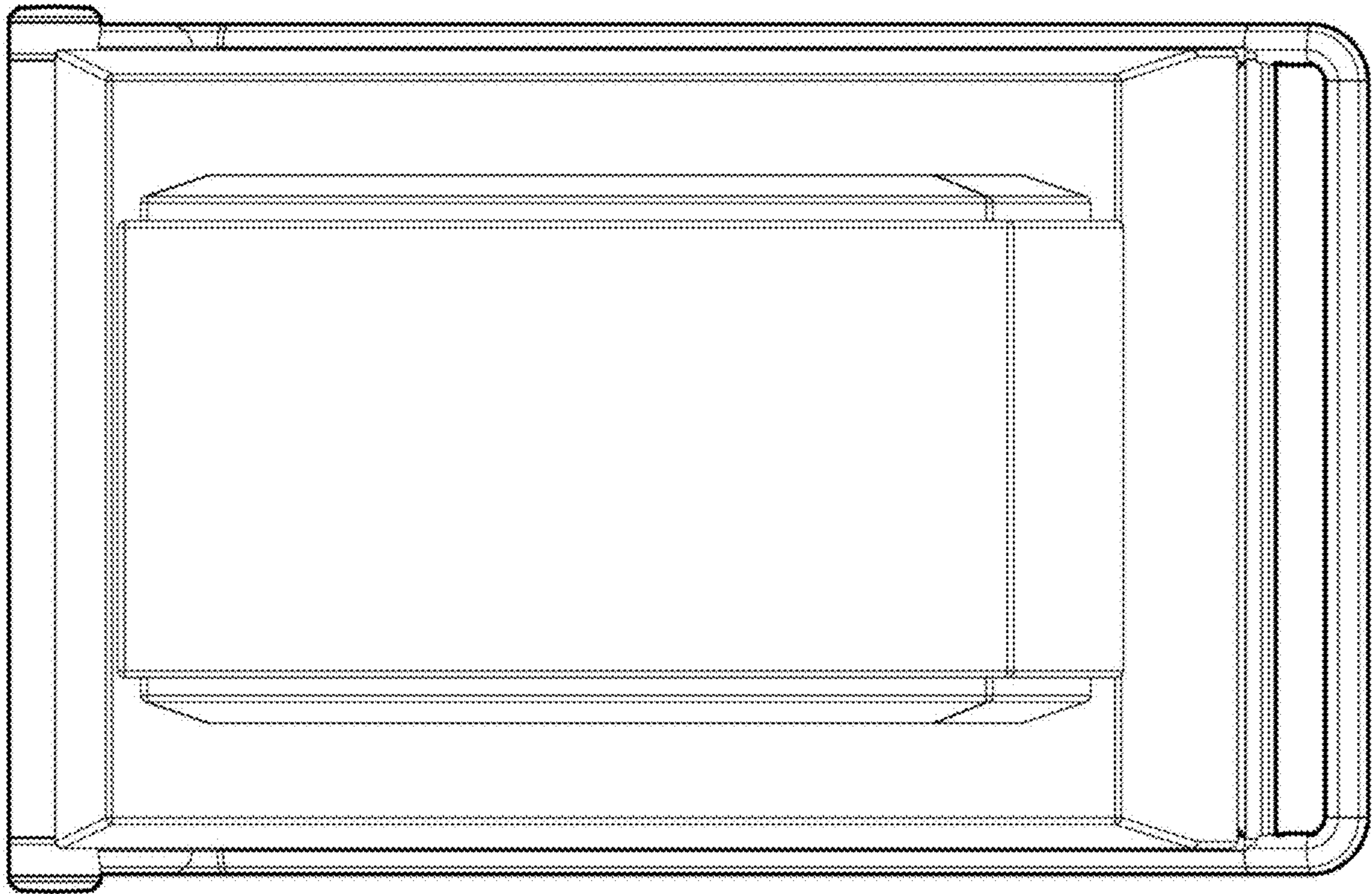
2.4



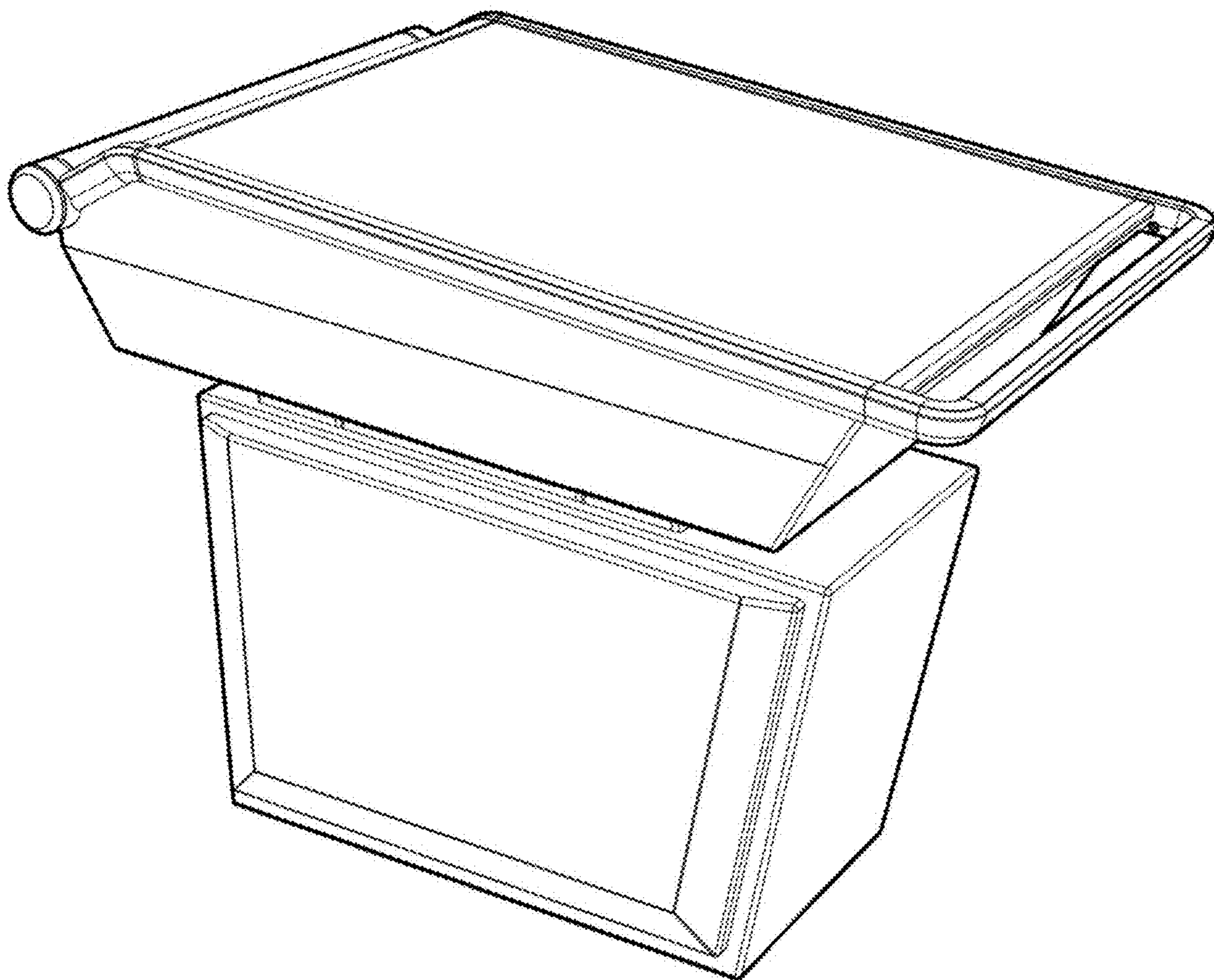
2.5



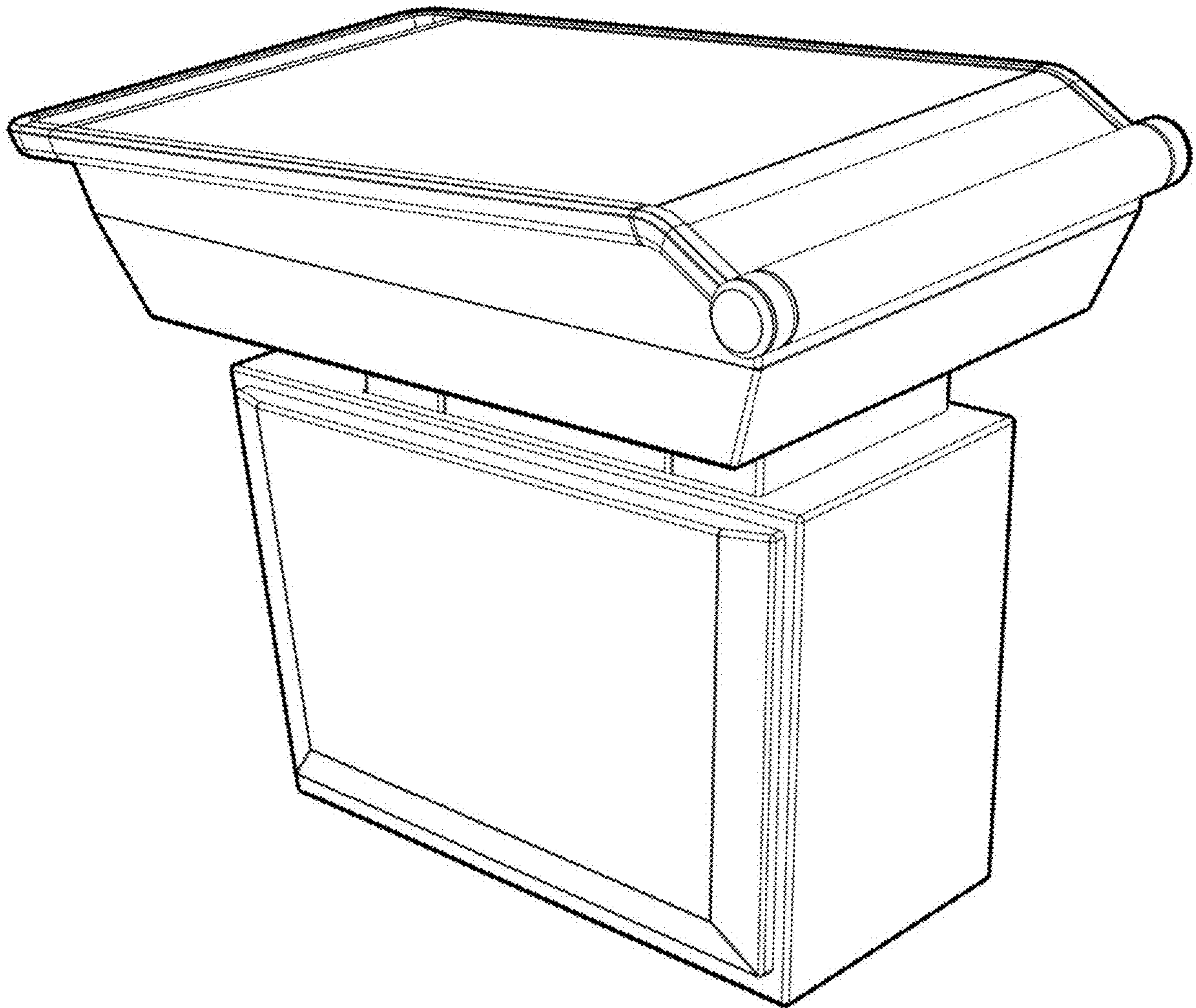
2.6



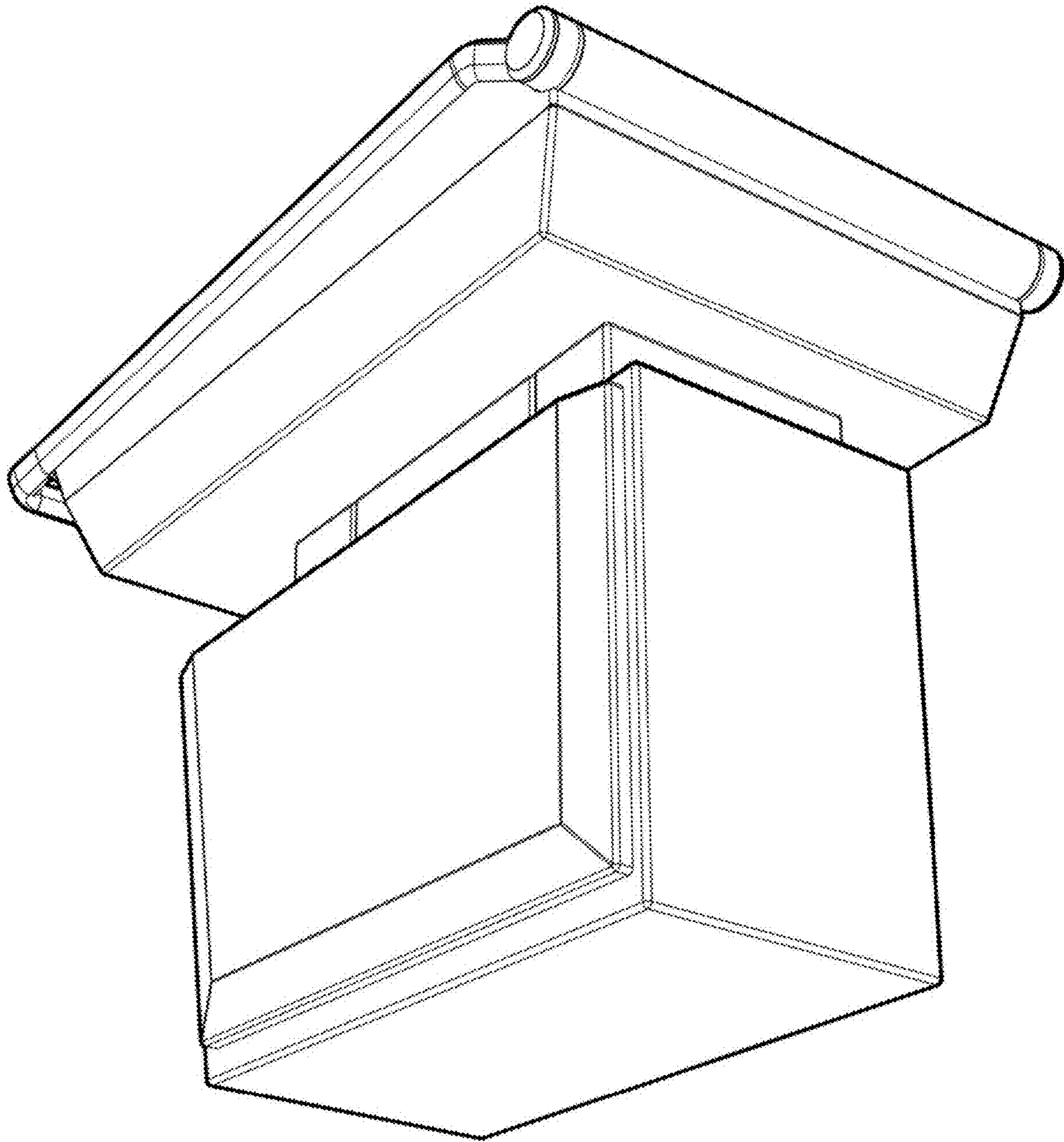
2.7



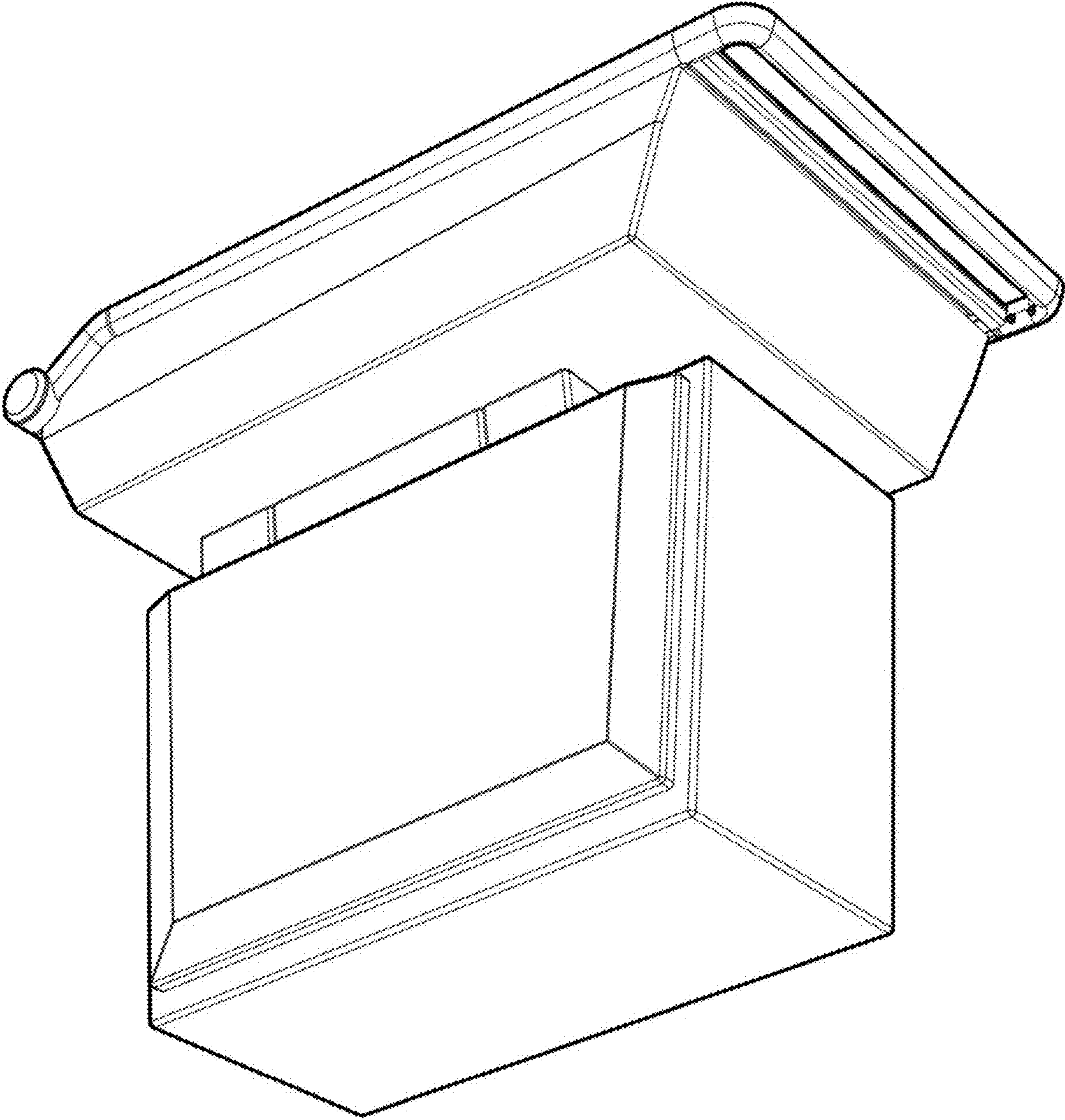
2.8



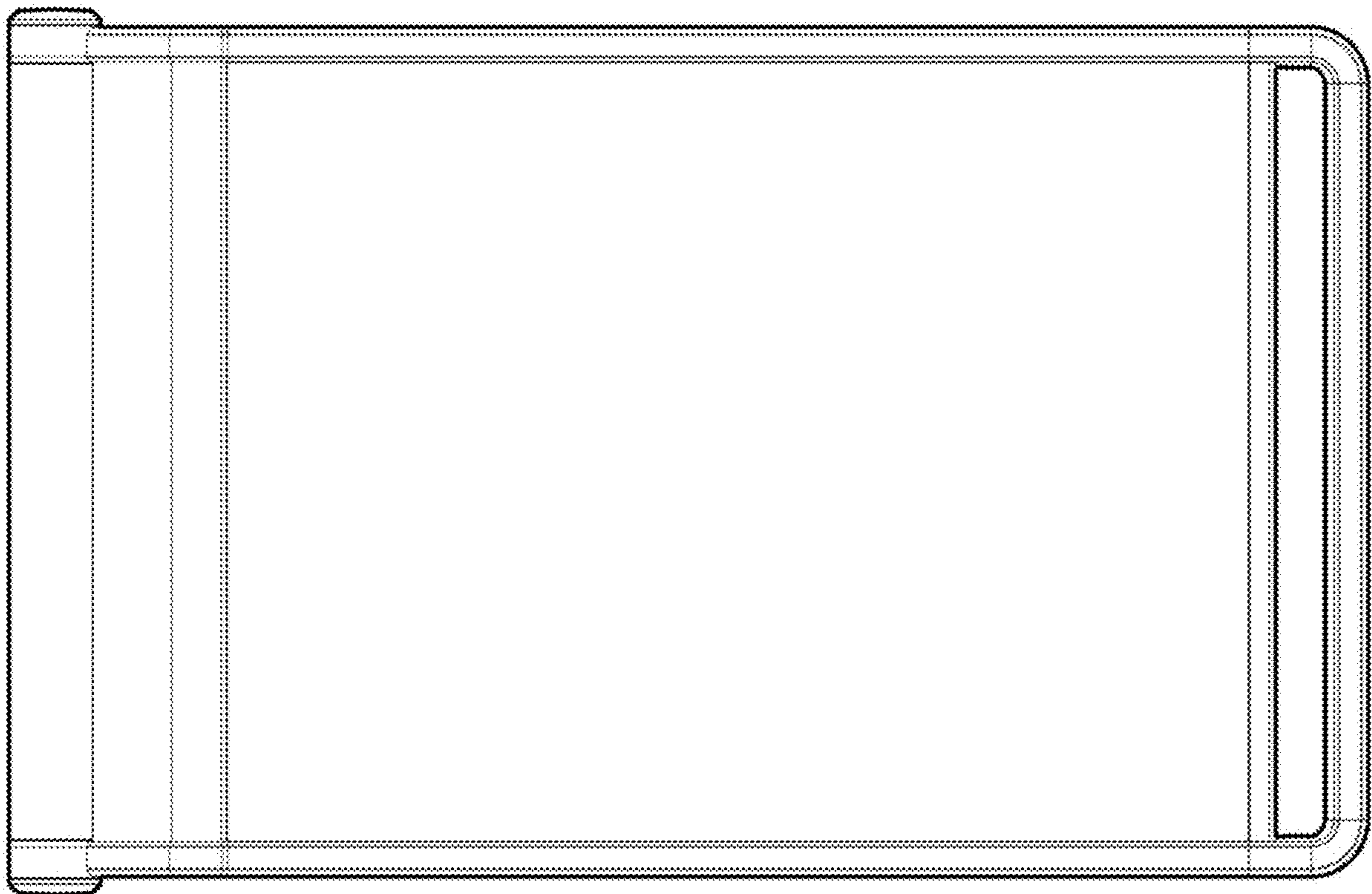
2.9



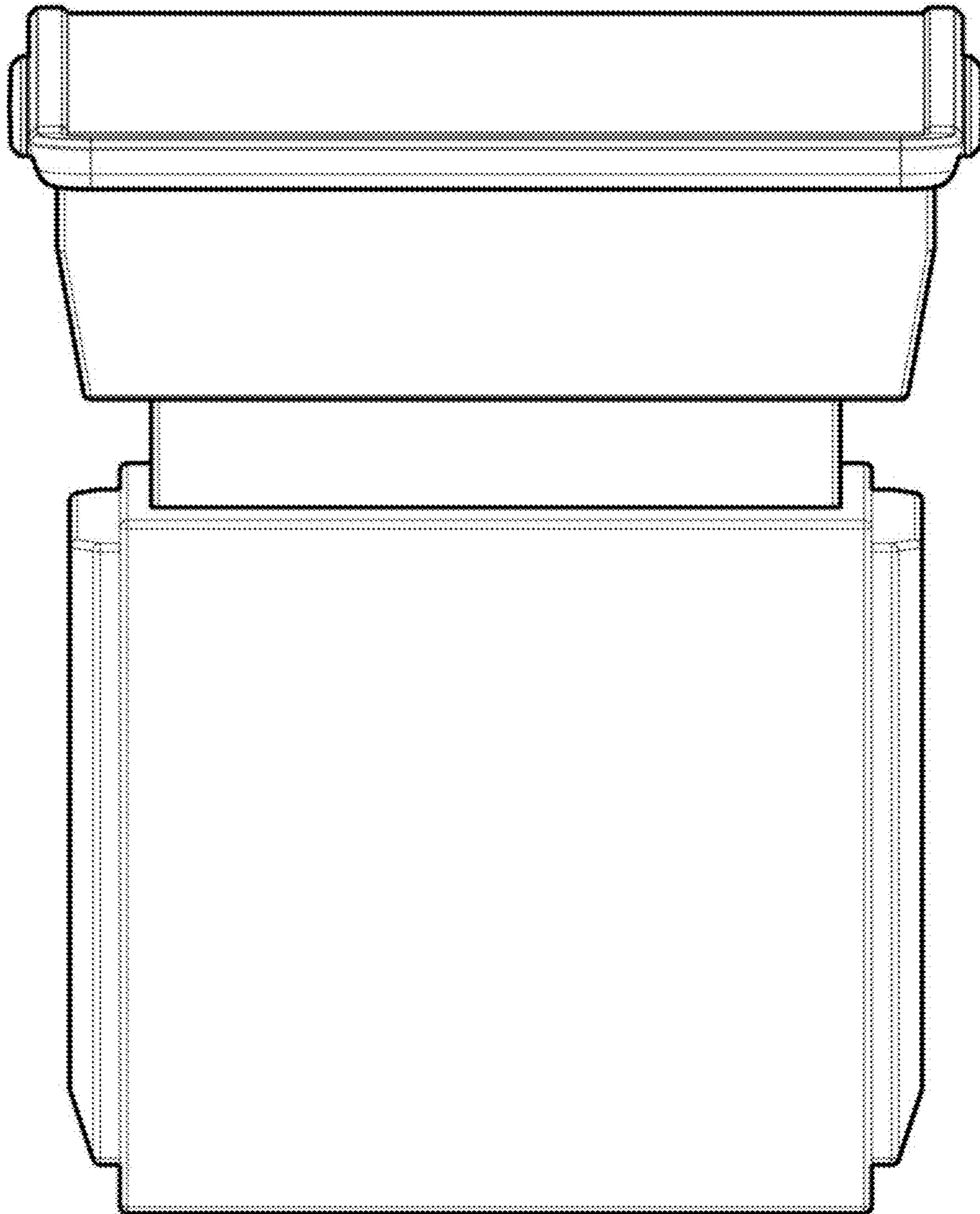
2.10



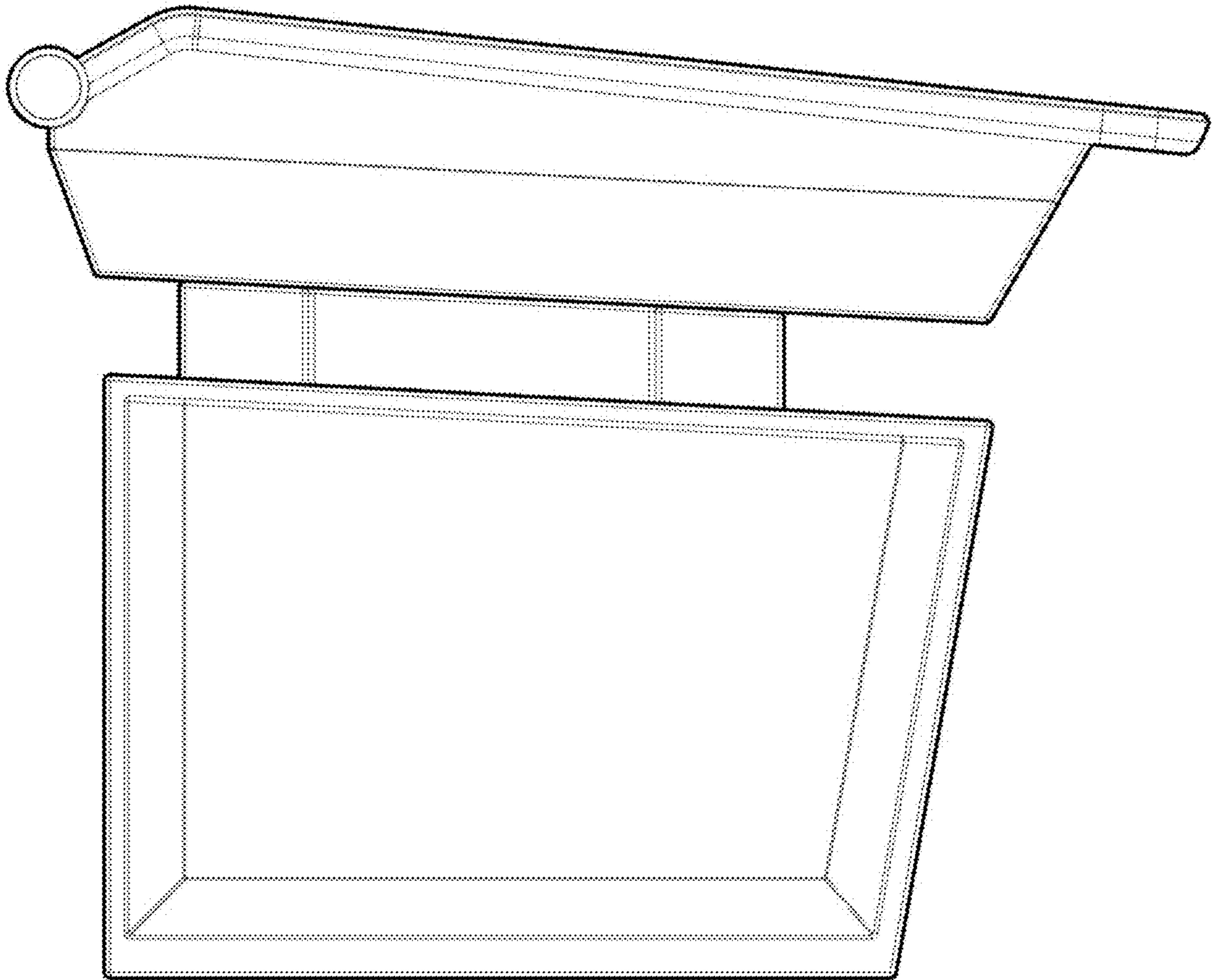
3.1



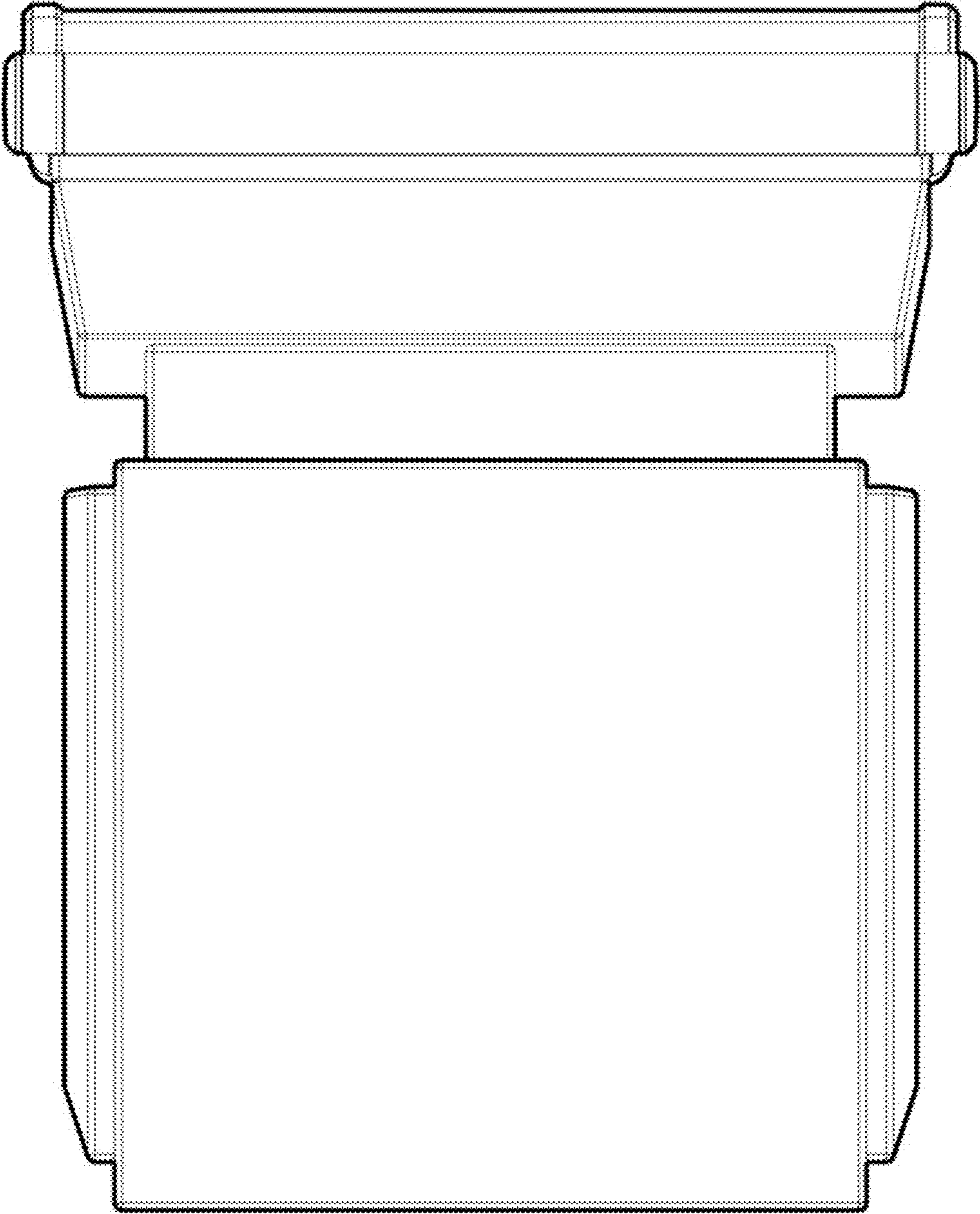
3.2



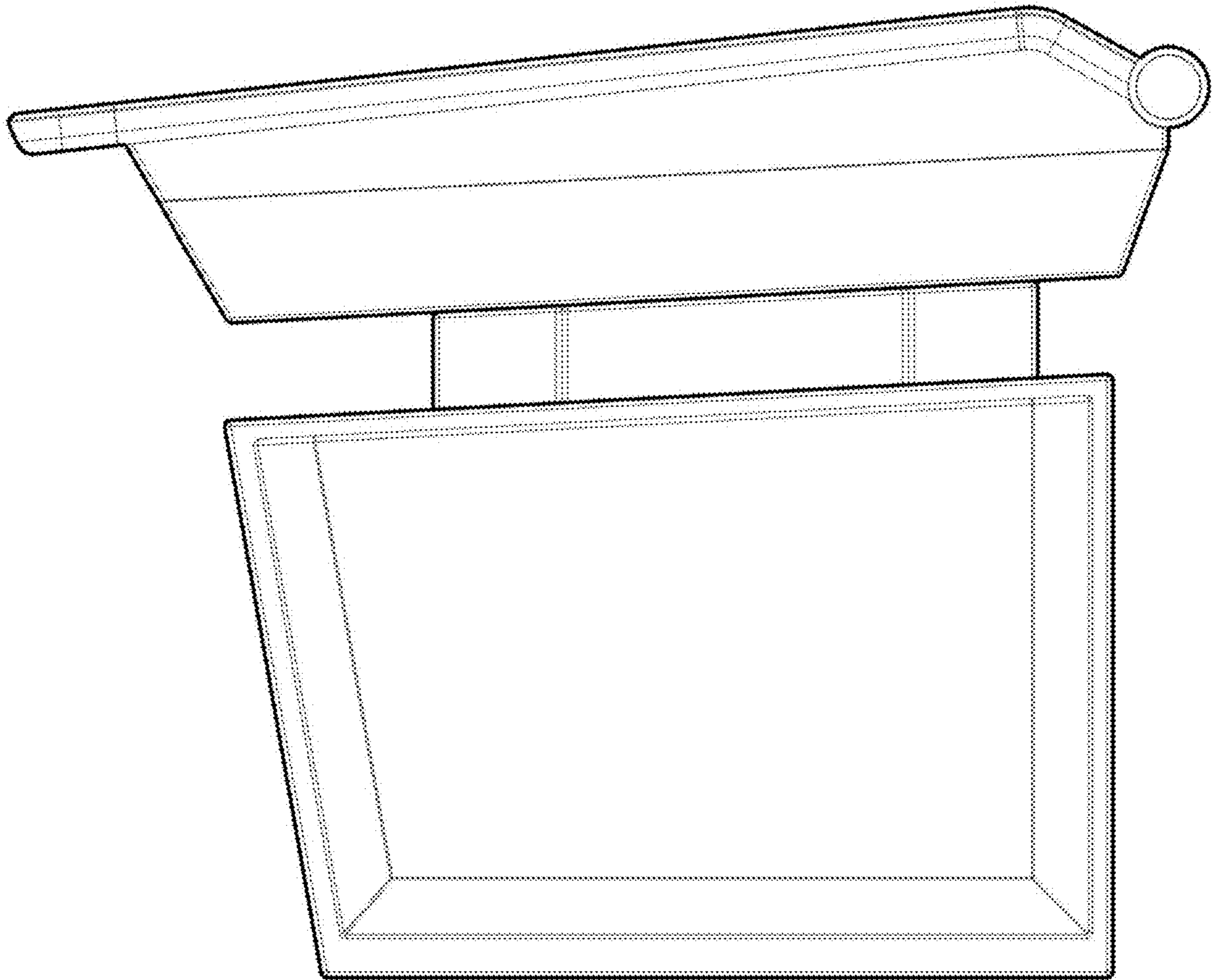
3.3



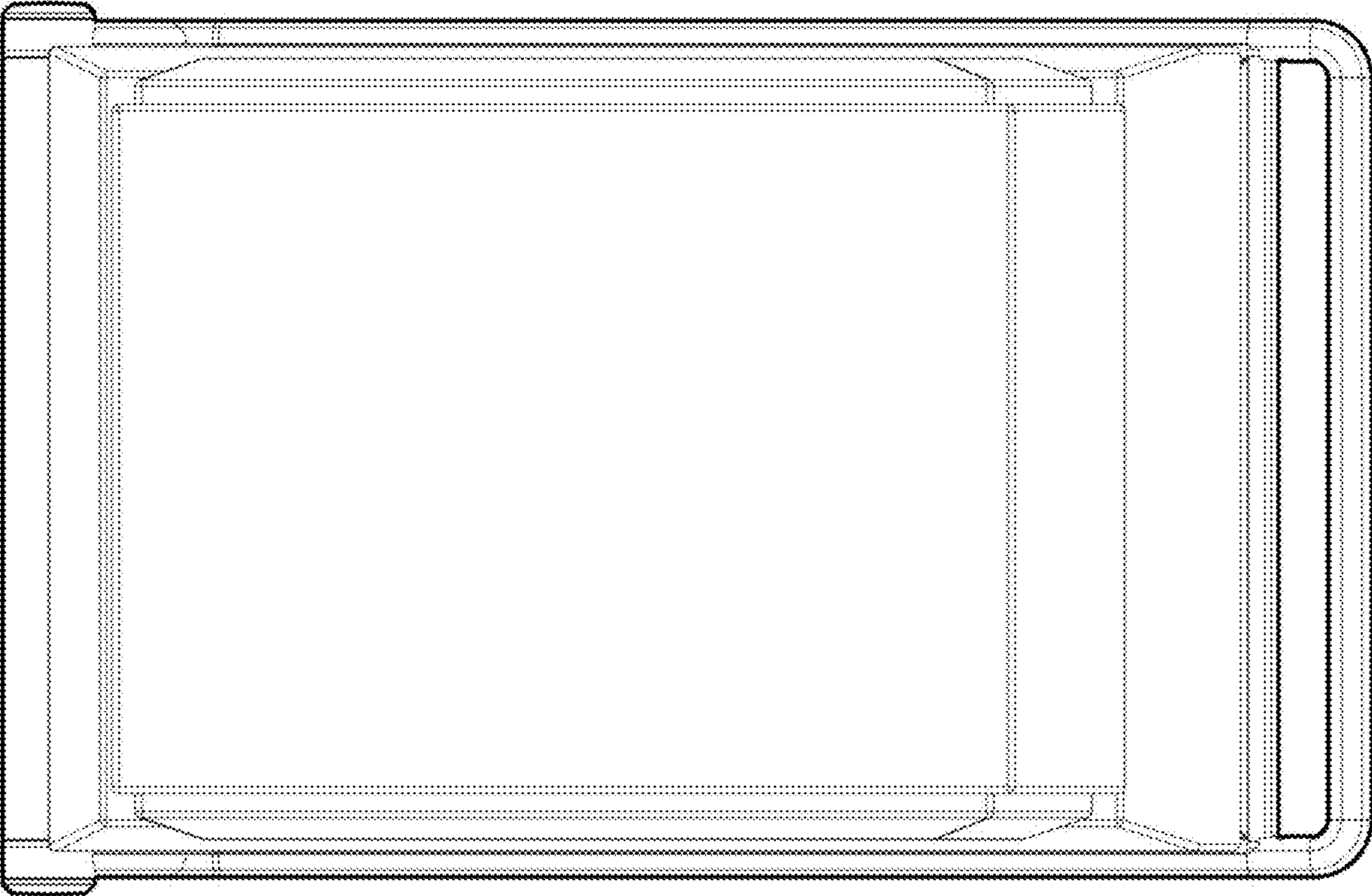
3.4



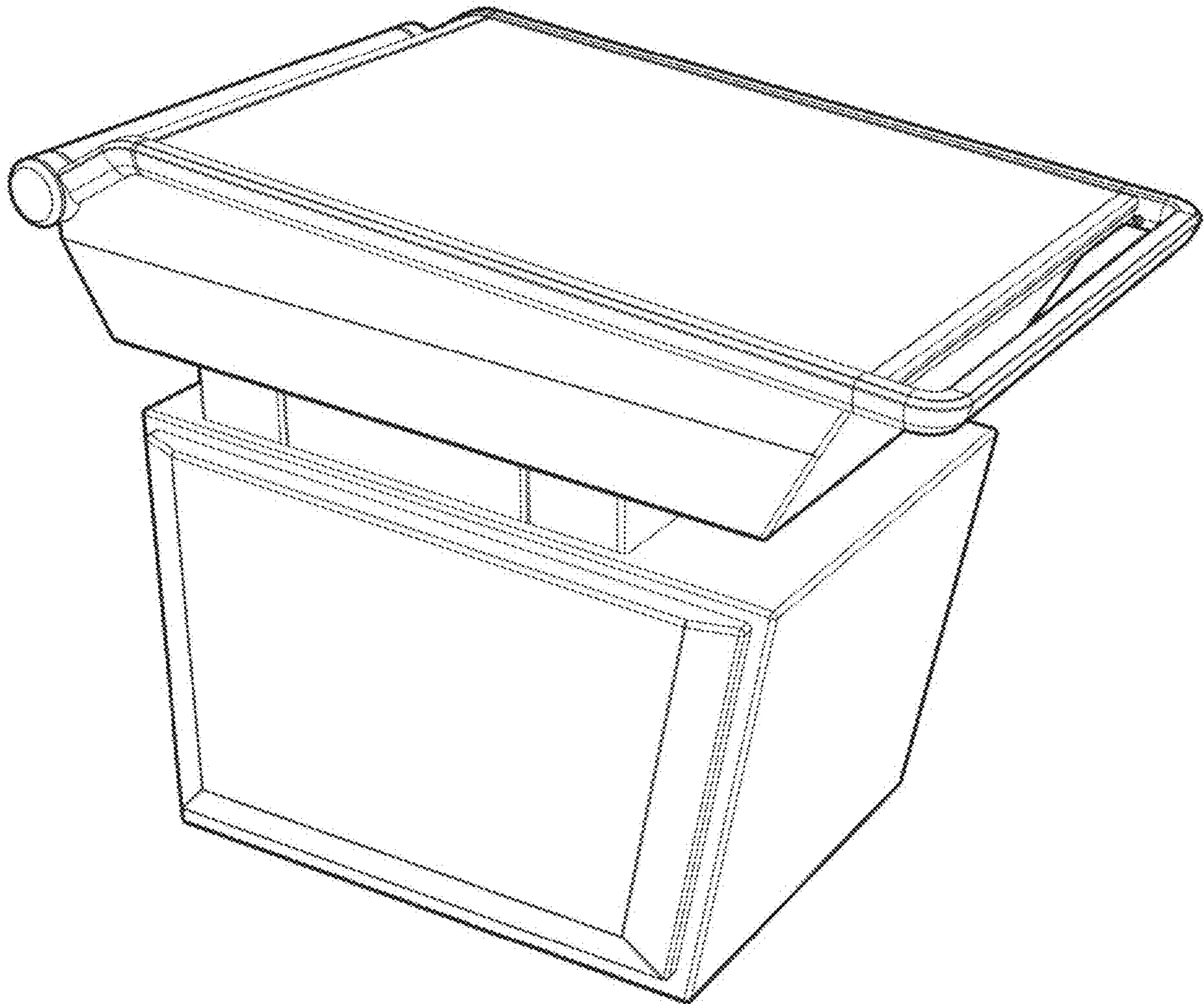
3.5



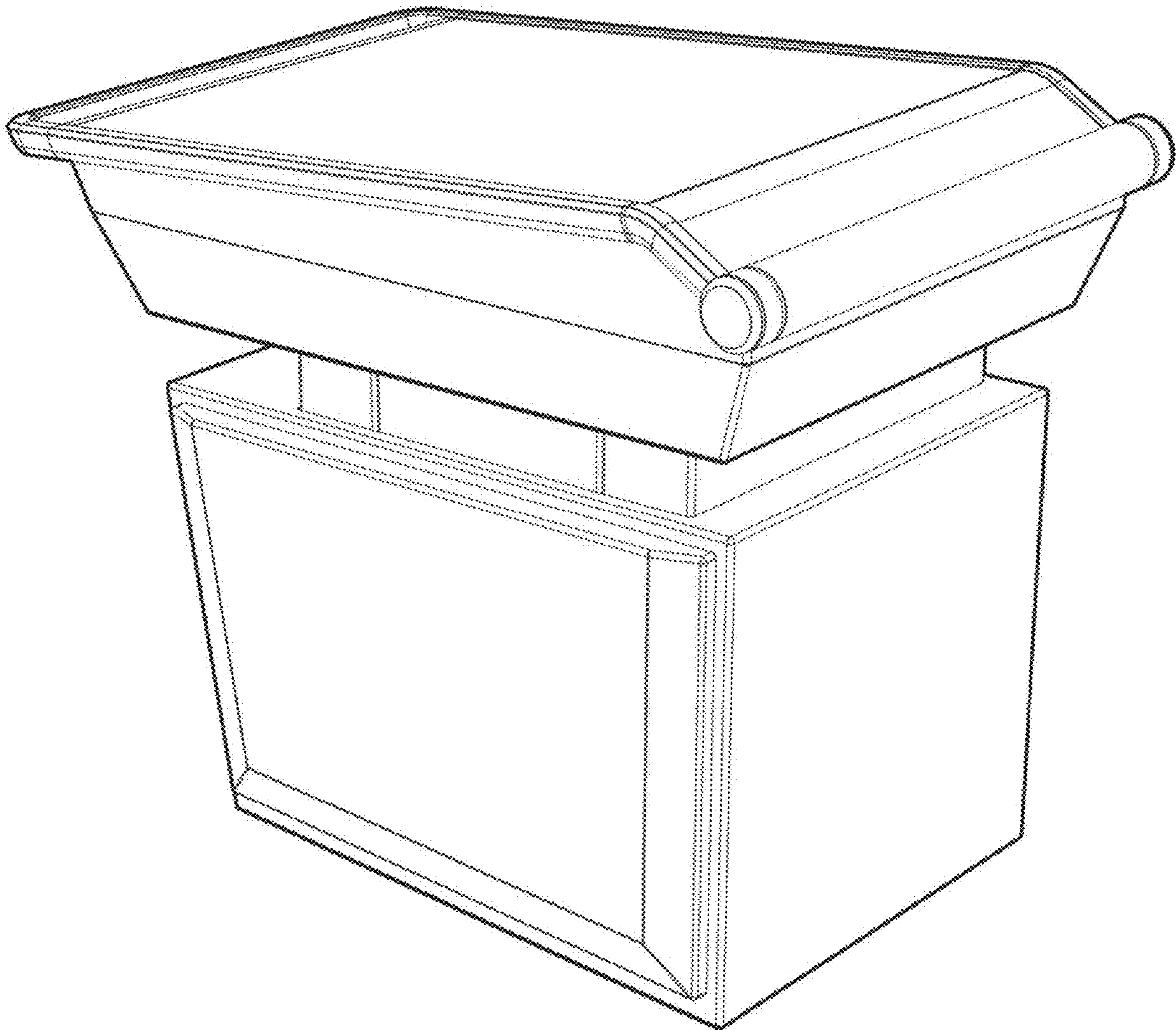
3.6



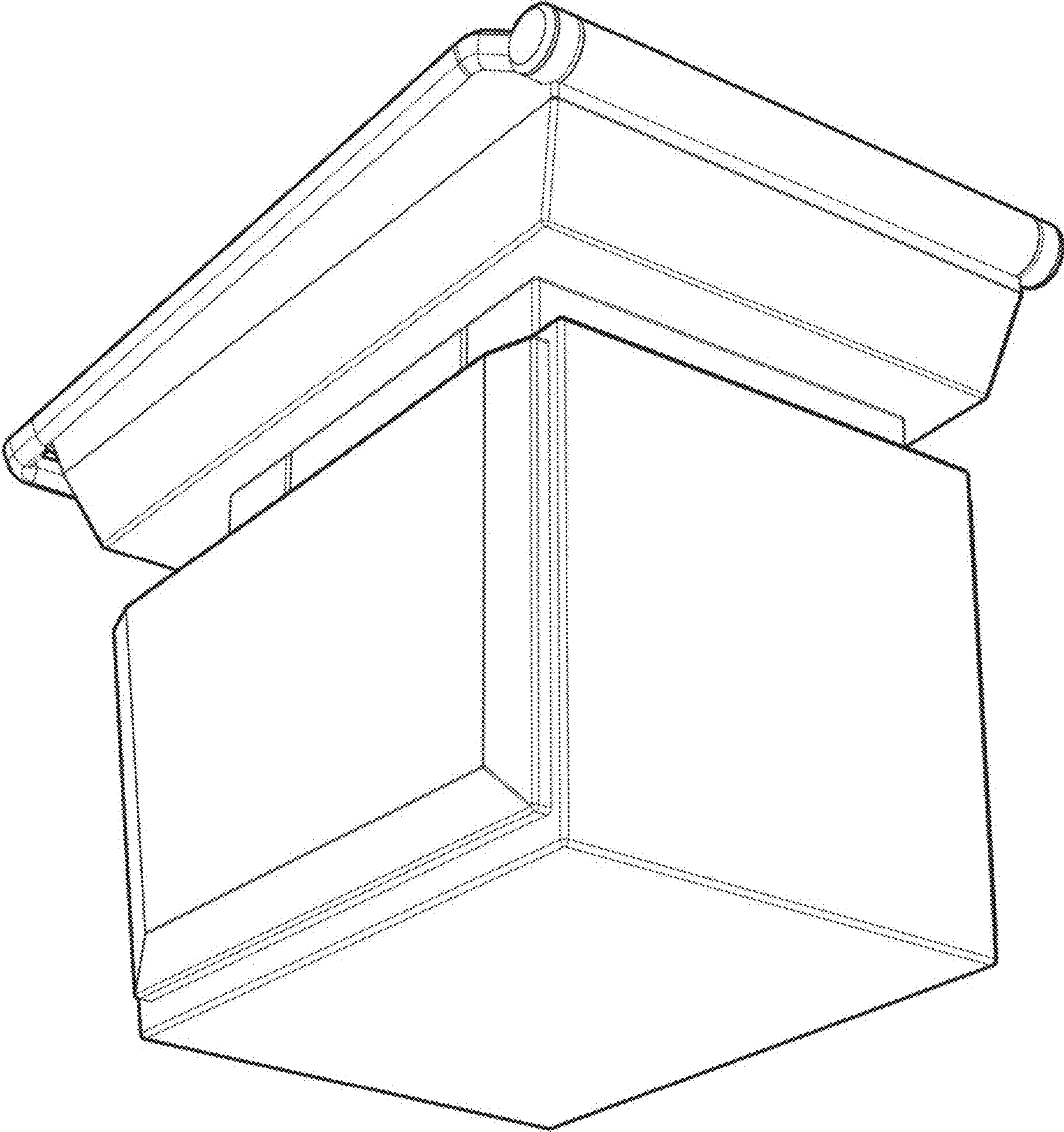
3.7



3.8



3.9



3.10

