



US00D895523S

(12) **United States Design Patent** (10) **Patent No.:** **US D895,523 S**
Tufts, Jr. et al. (45) **Date of Patent:** **** Sep. 8, 2020**

(54) **COUPLER FOR WINDSHIELD WIPER**

(71) Applicant: **TRICO PRODUCTS CORPORATION**, Rochester Hills, MI (US)

(72) Inventors: **Lindsey Tufts, Jr.**, Kent, OH (US); **David Boll**, Avon, OH (US); **Nicholas E. Stanca**, Westlake, OH (US); **Robert Soreo**, Cleveland Heights, OH (US); **R. Kenneth Thorstenson, IV**, Shelby Township, MI (US); **Dan Ehde**, Ortonville, MI (US)

(73) Assignee: **TRICO PRODUCTS CORPORATION**, Rochester Hills, MI (US)

(**) Term: **15 Years**

(21) Appl. No.: **29/687,780**

(22) Filed: **Apr. 16, 2019**

(51) **LOC (12) Cl.** **12-16**

(52) **U.S. Cl.**
USPC **D12/220; D12/219**

(58) **Field of Classification Search**
USPC **D12/219-220, 400; 15/250.001, 246, 15/247, 250.4, 250.361, 250.19, 250.48,**
(Continued)

(56) **References Cited**

U.S. PATENT DOCUMENTS

4,094,038 A 6/1978 Hancu
4,337,547 A 7/1982 Hancou
(Continued)

FOREIGN PATENT DOCUMENTS

BR 112012011686 A2 3/2016
CH 635544 A5 4/1983
(Continued)

OTHER PUBLICATIONS

Best Windshield Wipers: The Best Replacements for Your Stock Wipers, TheDrive.com, Published on Apr. 12, 2019, [online], [site visited Jul. 2, 2020]. <URL: <https://www.thedrive.com/reviews/27417/best-windshield-wipers>> (Year: 2019).*

(Continued)

Primary Examiner — T Chase Nelson
Assistant Examiner — Jonathan J. Han

(74) *Attorney, Agent, or Firm* — Bryan Cave Leighton Paisner LLP

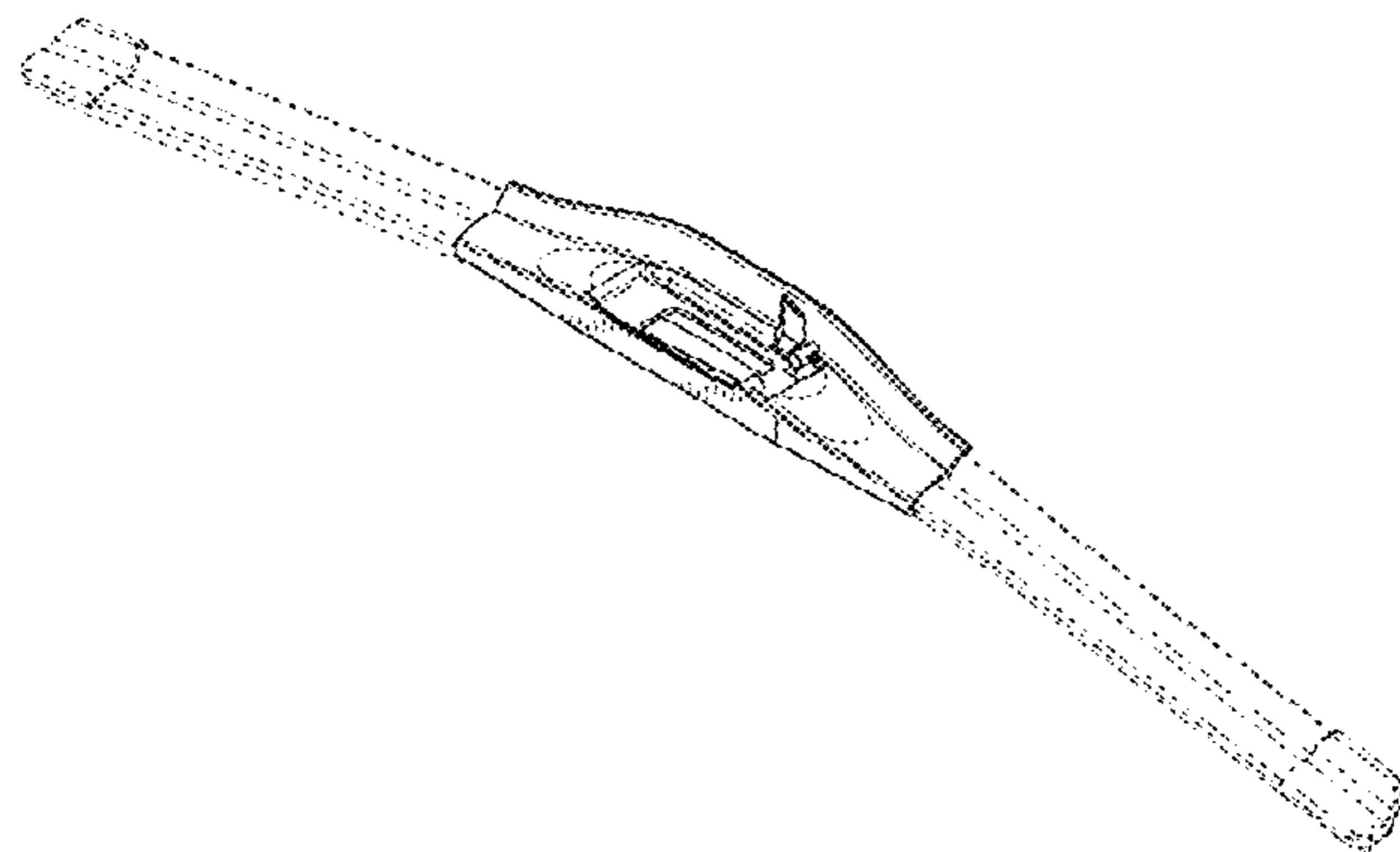
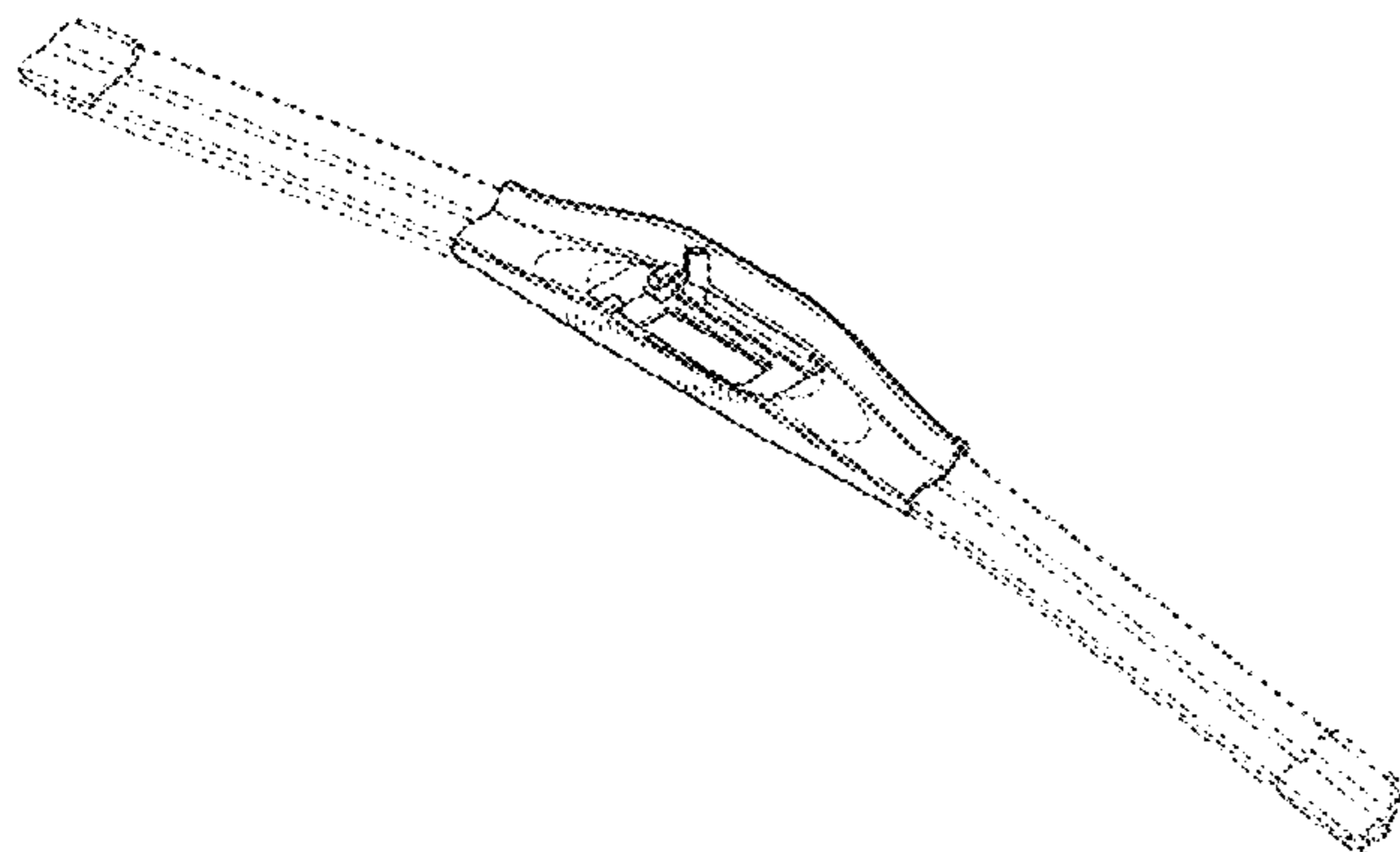
(57) **CLAIM**

The ornamental design for a coupler for windshield wiper, as shown and described.

DESCRIPTION

FIG. 1 is an upper perspective view of a coupler for windshield wiper, having a right-hand configuration; FIG. 2 is another upper perspective view thereof; FIG. 3 is a right side view thereof; FIG. 4 is a left side view thereof; FIG. 5 is an end view thereof; FIG. 6 is an opposite end view thereof; FIG. 7 is a top plan view thereof; FIG. 8 is a bottom plan view thereof; FIG. 9 is an upper perspective view of a coupler for windshield wiper, having a left-hand configuration; FIG. 10 is another upper perspective view thereof; FIG. 11 is a right side view thereof; FIG. 12 is a left side view thereof; FIG. 13 is an end view thereof; FIG. 14 is an opposite end view thereof; FIG. 15 is a top plan view thereof; and, FIG. 16 is a bottom plan view thereof. The broken lines in the drawings show features that form no part of the claimed design.

1 Claim, 14 Drawing Sheets



(56)

References Cited

FOREIGN PATENT DOCUMENTS

RU	2381120	C2	10/2003
RU	2686270	C1	6/2012
RU	2014106909	A	8/2017
WO	2004069618	A1	2/2003
WO	2006106006	A1	4/2005
WO	2006128763	A1	6/2005
WO	2009071372	A1	12/2007
WO	2011040743		9/2009
WO	2011060979	A1	5/2011
WO	2013186111	A1	6/2012
WO	2013013958	A1	1/2013
WO	2016000785	A1	7/2014
WO	2017080783	A1	11/2015

OTHER PUBLICATIONS

TRICO Force—Large Hook Wiper Installation Video, YouTube.com, TRICO Wiper Blades, Aug 30, 2011, [online], [site visited Jul. 2, 2020]. <URL: <https://www.youtube.com/watch?v=QAz-91-RzcQ>> (Year: 2011).*

10 Best Windshield Wipers for Any Weather Conditions, CarCareTotal.com, Updated Sep. 27, 2018, Written by Edward Miller, [online], [site visited Jul. 2, 2020]. <URL: <https://carcaretotal.com/best-windshield-wipers/>> (Year: 2018).*

Reflex Platinum Wiper Blades, Installation Instructions (2 pages). Reflex Platinum Wiper Blade, Canadian Tire, Canada; retrieved from the Internet Feb. 11, 2020; <<https://www.canadiantire.ca/en/pdp/reflex-platinum-wiper-blade-0211866p.html>> (5 pages).

Rain X Silicone AdvantEdge; retrieved from the Internet Feb. 19, 2020; <<https://www.rainx.com/silicone-advantedge/>> (5 pages).

How to Install Rain-X Silicone AdvantEdge Wiper Blades; retrieved from the Internet Feb. 19, 2020; <<https://www.rainx.com/installation-instructions/how-to-install-rain-x-silicone-advantedge-wiper-blades/>> (2 pages).

Wiper Blade Removal Instructions; retrieved from the Internet Feb. 19, 2020; <<https://www.rainx.com/instructions/wiper-blade-removal-instructions/>> (1 page).

Rain X Silicone AdvantEdge Premium Wiper Blade; retrieved from the Internet Feb. 19, 2020; <<https://shop.advanceautoparts.com/p/rain-x-silicone-advantedge-premium-beam-wiper-blade-22-inch-830022/11920347-P>> (2 pages).

* cited by examiner

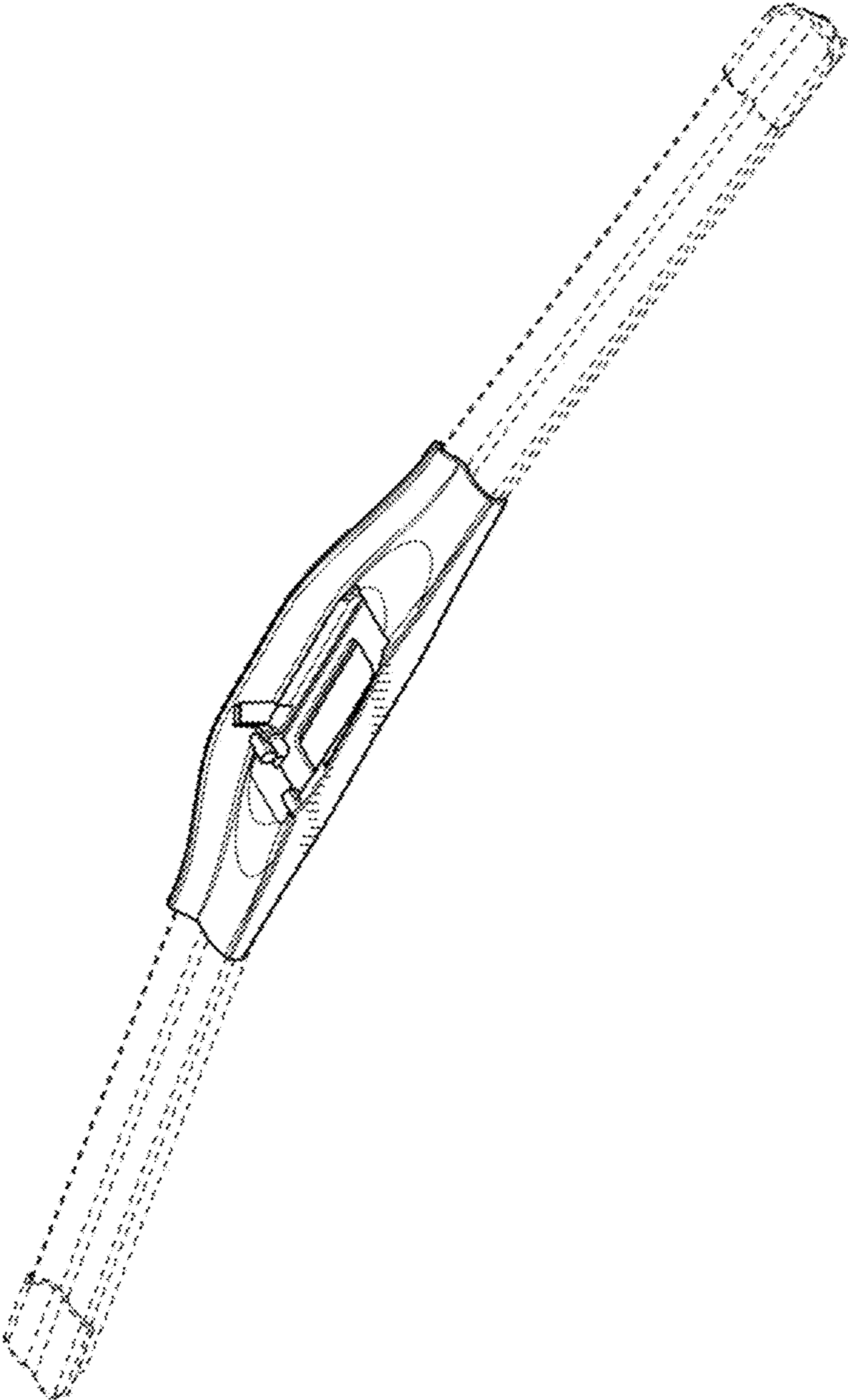


FIG.1

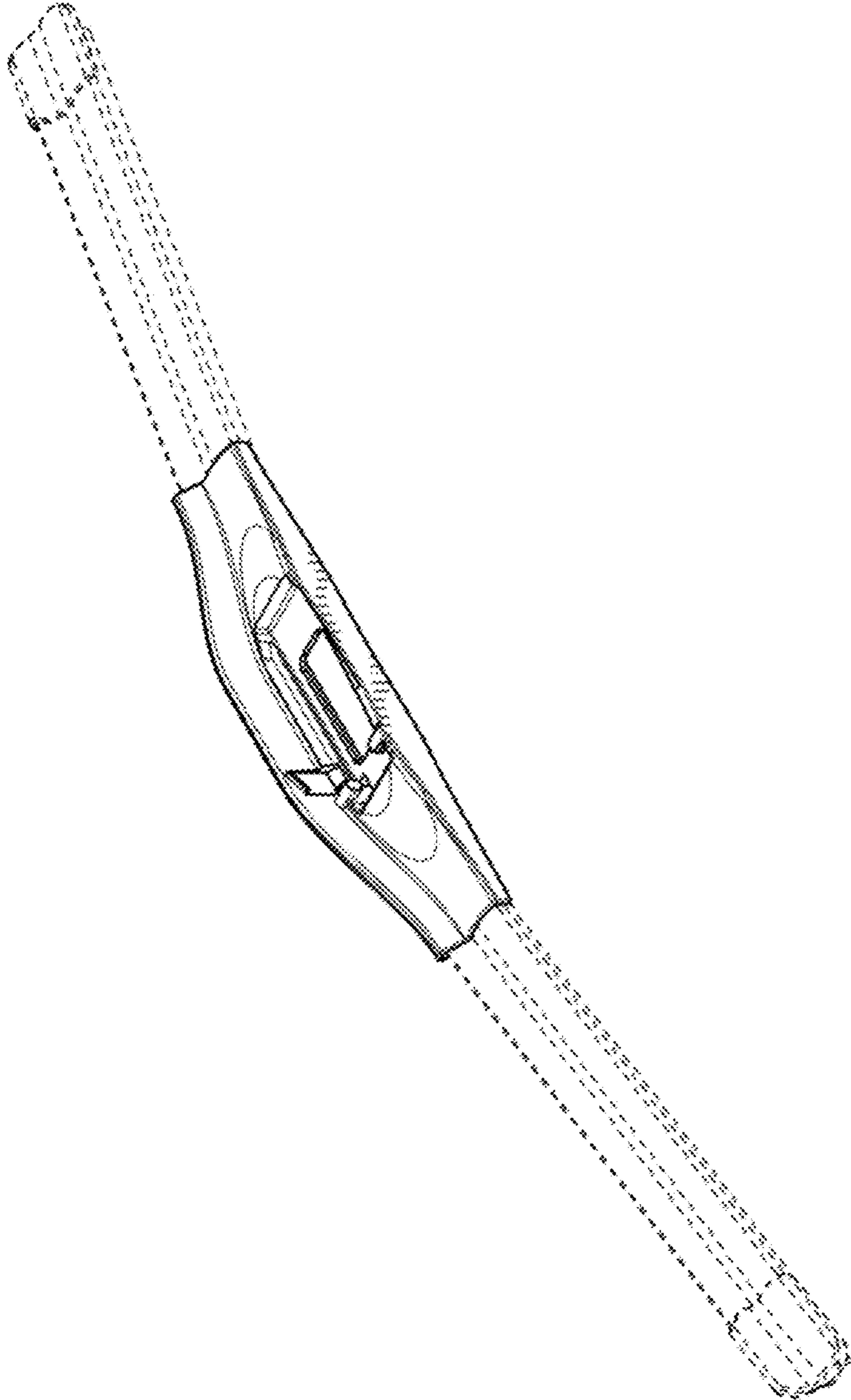


FIG. 2

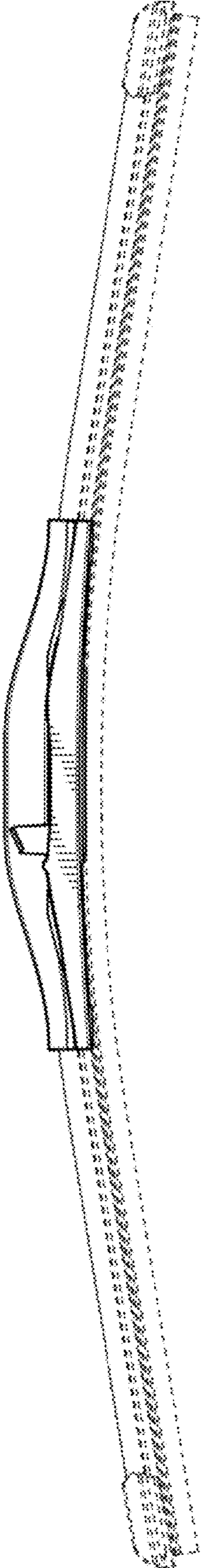


FIG. 3

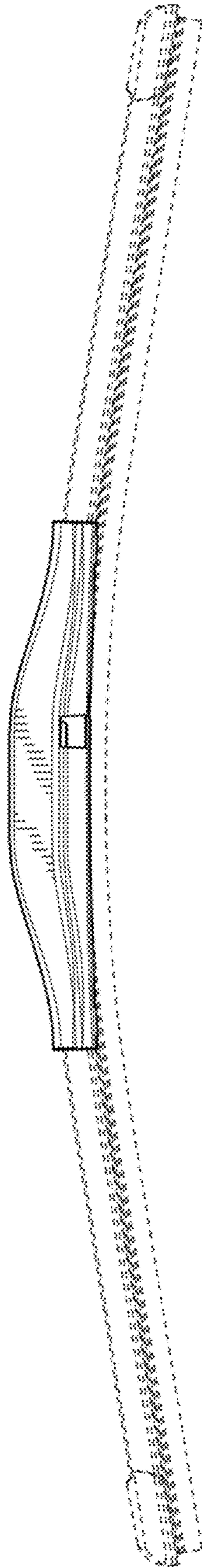


FIG. 4

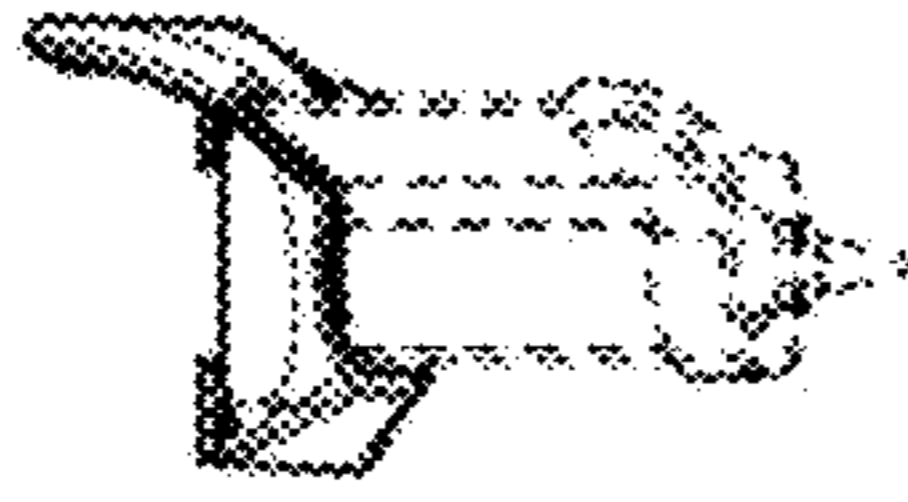


FIG. 6



FIG. 5



FIG. 7

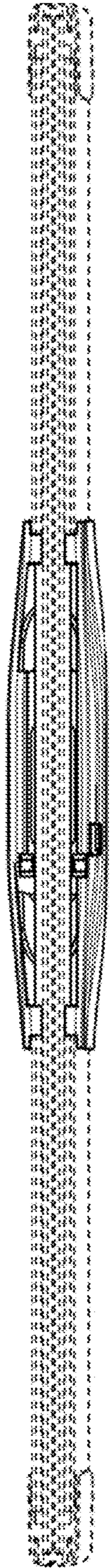


FIG. 8

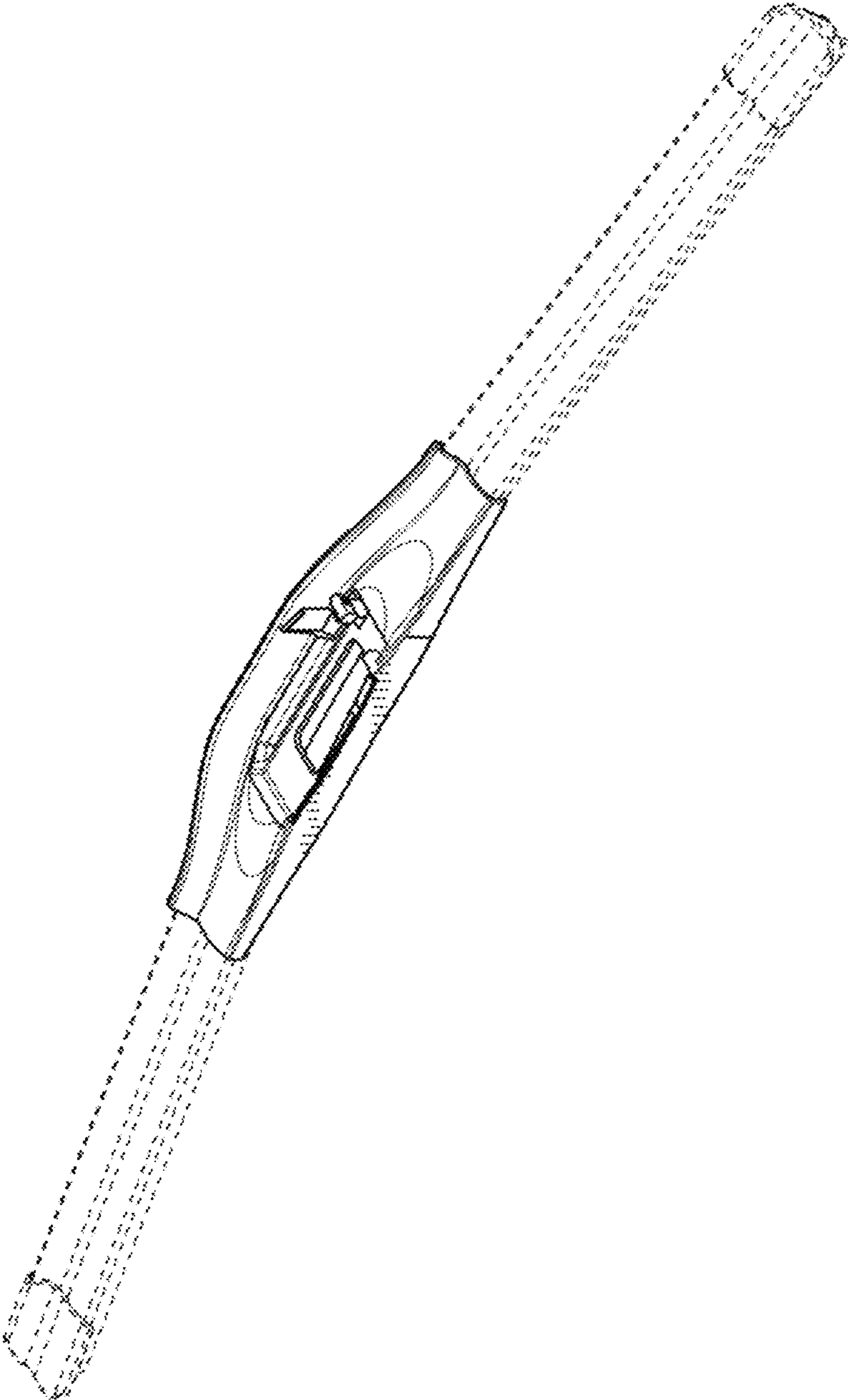


FIG. 9

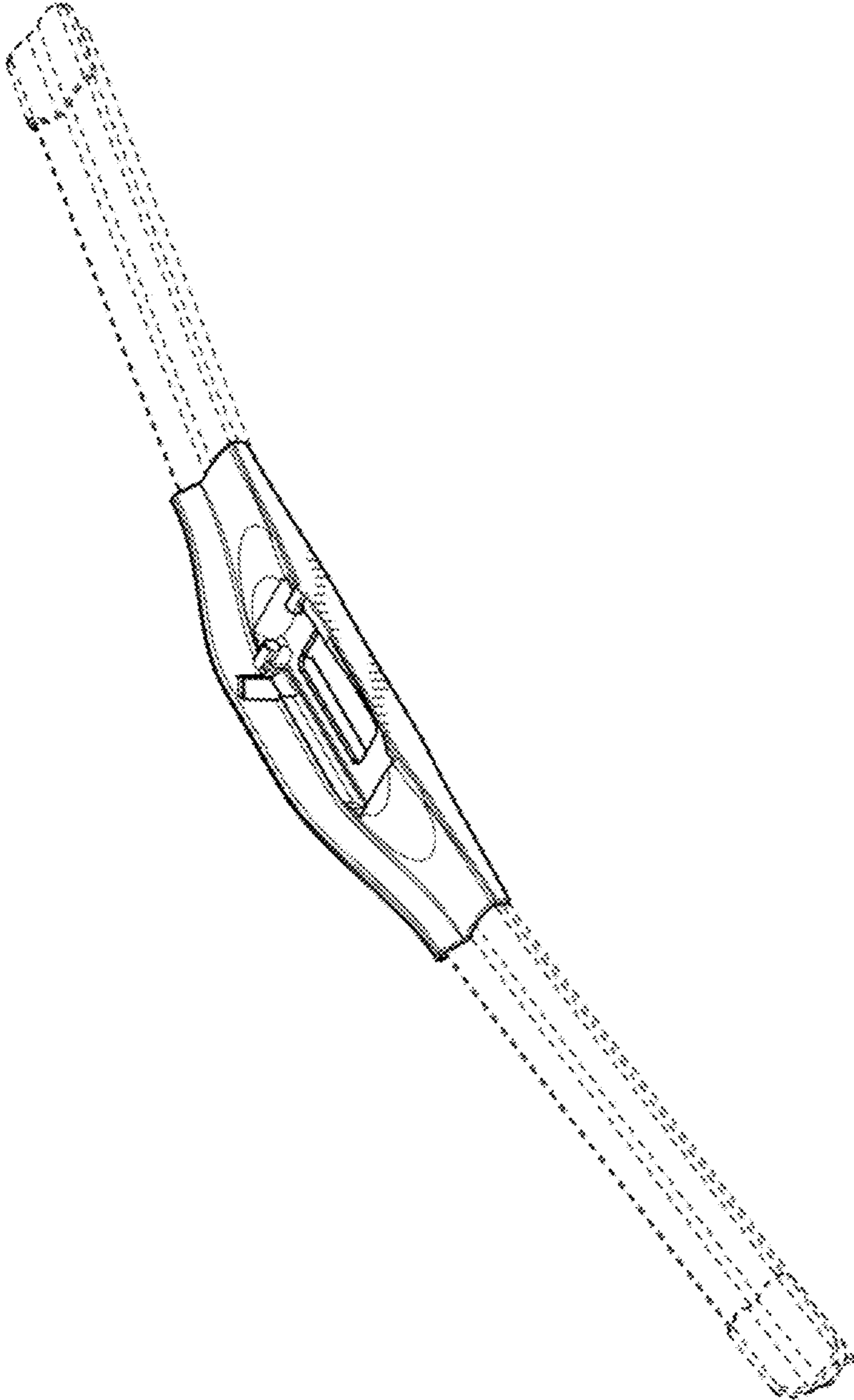


FIG.10

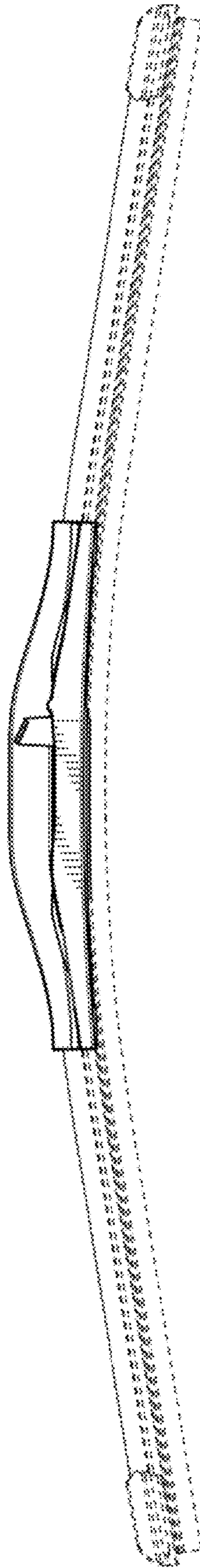


FIG. 11

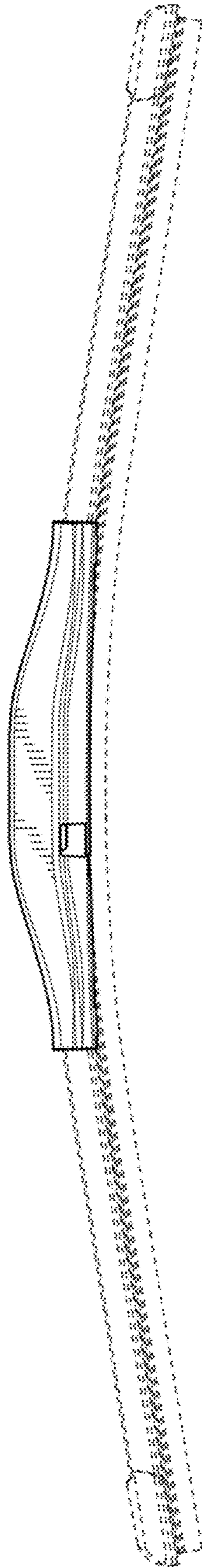


FIG.12



FIG. 14

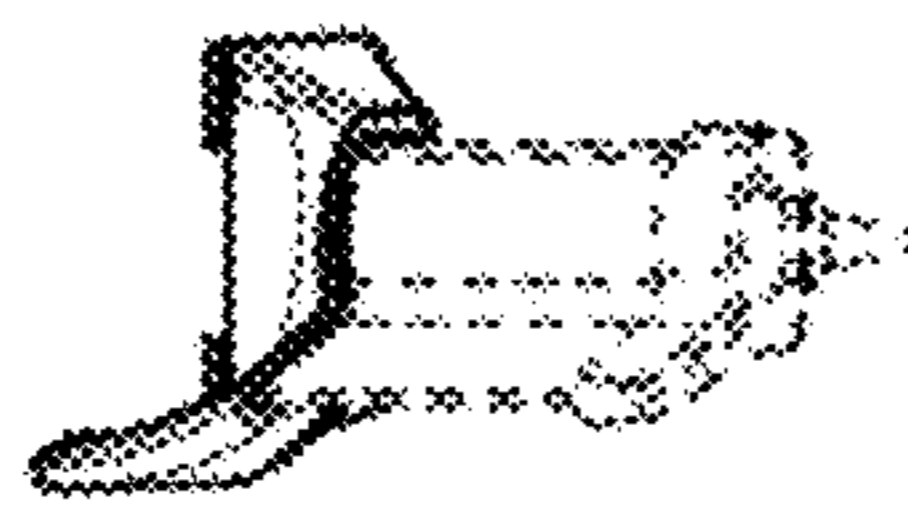


FIG. 13

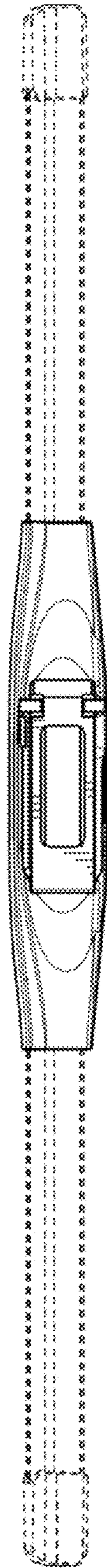


FIG. 15

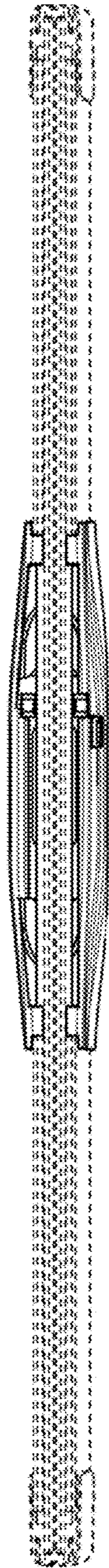


FIG.16