



US00D895522S

(12) **United States Design Patent** (10) **Patent No.:** **US D895,522 S**
Boks (45) **Date of Patent:** **** Sep. 8, 2020**

(54) **TROLLING MOTOR PROPELLER**

(71) Applicant: **Brunswick Corporation**, Mettawa, IL (US)

(72) Inventor: **Michael J. Boks**, Grand Rapids, MI (US)

(73) Assignee: **Brunswick Corporation**, Mettawa, IL (US)

(**) Term: **15 Years**

(21) Appl. No.: **29/688,009**

(22) Filed: **Apr. 17, 2019**

(51) **LOC (12) Cl.** **12-16**

(52) **U.S. Cl.**
USPC **D12/214**

(58) **Field of Classification Search**

USPC D12/214, 317, 319, 344, 16.1, 328, 330,
D12/345; D15/4, 5; D13/115; D21/441;
D23/411, 413

CPC B64C 11/00; B64C 11/02; B64C 11/16;
B64C 27/08; B64C 39/024; B64C
2201/108

See application file for complete search history.

(56) **References Cited**

U.S. PATENT DOCUMENTS

D324,364 S * 3/1992 Hannon et al. D12/214
D442,906 S * 5/2001 Prokop D12/214
D509,295 S * 9/2005 Stauffer D23/413

(Continued)

OTHER PUBLICATIONS

Johnson Outdoors Inc., "Minnkota Prop—Weedless Wedge / MKP-6," shown at <https://minnkotamotors.johnsonoutdoors.com/accessories/trolling-motor/prop-weedless-wedge-mkp-6>, last accessed Apr. 11, 2019.

(Continued)

Primary Examiner — Michelle E. Wilson

Assistant Examiner — Clese Moore, Jr.

(74) *Attorney, Agent, or Firm* — Andrus Intellectual Property Law, LLP

(57) **CLAIM**

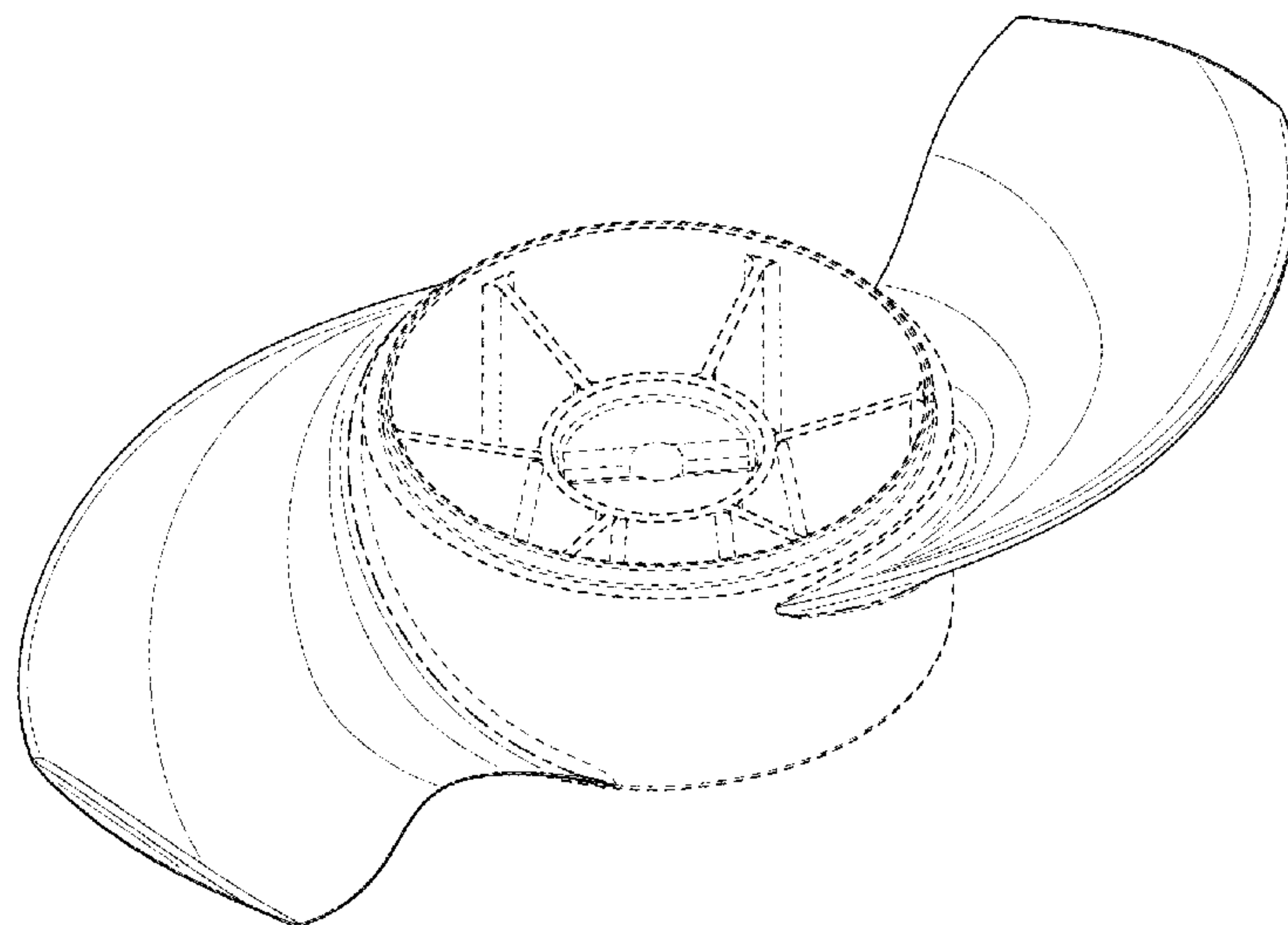
The ornamental design for a trolling motor propeller, as shown and described.

DESCRIPTION

FIG. 1 is a first front perspective view of a trolling motor propeller according to my new and ornamental design; FIG. 2 is a second front perspective view thereof; FIG. 3 is a third front perspective view thereof; FIG. 4 is a first side elevation view thereof; FIG. 5 is a second side elevation view thereof, opposite the first side; FIG. 6 is a third side elevation view thereof, at ninety degrees to the first side; FIG. 7 is a fourth side elevation view thereof, opposite the third side; FIG. 8 is front elevation view thereof; FIG. 9 is a rear elevation view thereof; FIG. 10 is a cross-sectional view thereof taken along the line 10-10 in FIG. 8; FIG. 11 is a cross-sectional view thereof taken along the line 11-11 in FIG. 8; FIG. 12 is a cross-sectional view thereof taken along the line 12-12 in FIG. 8; FIG. 13 is a cross-sectional view thereof taken along the line 13-13 in FIG. 8; and, FIG. 14 is a cross-sectional view thereof taken along the line 14-14 in FIG. 8.

The broken line showing of a propeller hub is directed to environment and forms no part of the claimed design. The dash-dot lines separating portions of the trolling motor propeller shown in solid lines from the propeller hub shown in dashed lines indicate boundaries of the claimed design and form no part of the claimed design.

1 Claim, 10 Drawing Sheets



(56)

References Cited

U.S. PATENT DOCUMENTS

| | | | | | | |
|--------------|----|---|---------|---------------|-------|------------------------|
| D510,998 | S | * | 10/2005 | Parker | | D23/411 |
| D539,413 | S | * | 3/2007 | Parker | | D23/411 |
| D556,894 | S | * | 12/2007 | Lee | | D23/413 |
| D557,401 | S | * | 12/2007 | Lee | | D23/413 |
| D560,154 | S | * | 1/2008 | Aplin, Jr. | | D12/214 |
| D562,215 | S | * | 2/2008 | Schulze | | D12/214 |
| D576,541 | S | * | 9/2008 | Kiceniuk, Jr. | | D12/214 |
| D578,460 | S | * | 10/2008 | Tymark | | D12/214 |
| D677,611 | S | * | 3/2013 | Janecke | | D12/214 |
| D677,612 | S | * | 3/2013 | Janecke | | D12/214 |
| D706,705 | S | * | 6/2014 | Long | | D12/345 |
| D723,997 | S | * | 3/2015 | Foreman | | D12/214 |
| D725,251 | S | * | 3/2015 | Hamada | | D23/354 |
| D728,442 | S | * | 5/2015 | Hawkins | | D12/214 |
| D745,448 | S | * | 12/2015 | Hawkins | | D12/214 |
| D790,430 | S | * | 6/2017 | Ali | | D12/214 |
| D799,688 | S | * | 10/2017 | Wang | | D23/413 |
| D842,211 | S | * | 3/2019 | Xiao | | D12/214 |
| D853,554 | S | * | 7/2019 | Biancuzzo | | D23/413 |
| 2014/0086754 | A1 | * | 3/2014 | Seiji | | F04D 29/384 416/237 |

OTHER PUBLICATIONS

Motorguide, "Safari 2-Blade Weedless Propeller (black)," shown at <http://ww2.motorguide.com/store/accessory/propellers/safari-black-2-blade-weedless>, last accessed Apr. 11, 2019.

Airfoil Tools, "NACA 63-415 Airfoil (n63415-il)," shown at <http://airfoiltools.com/airfoil/details?airfoil=n63415-il>, last accessed Apr. 17, 2019.

* cited by examiner

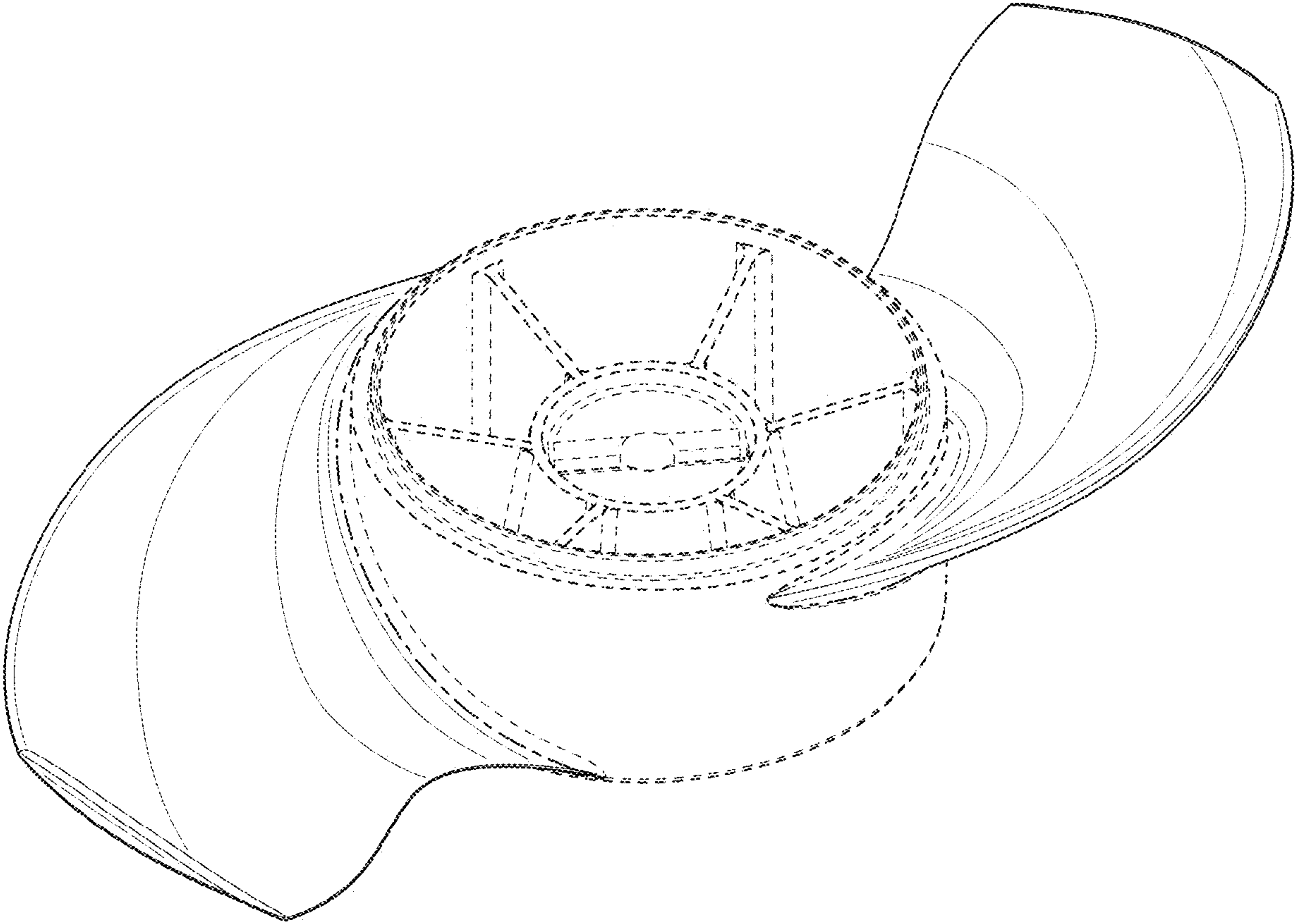


FIG. 1

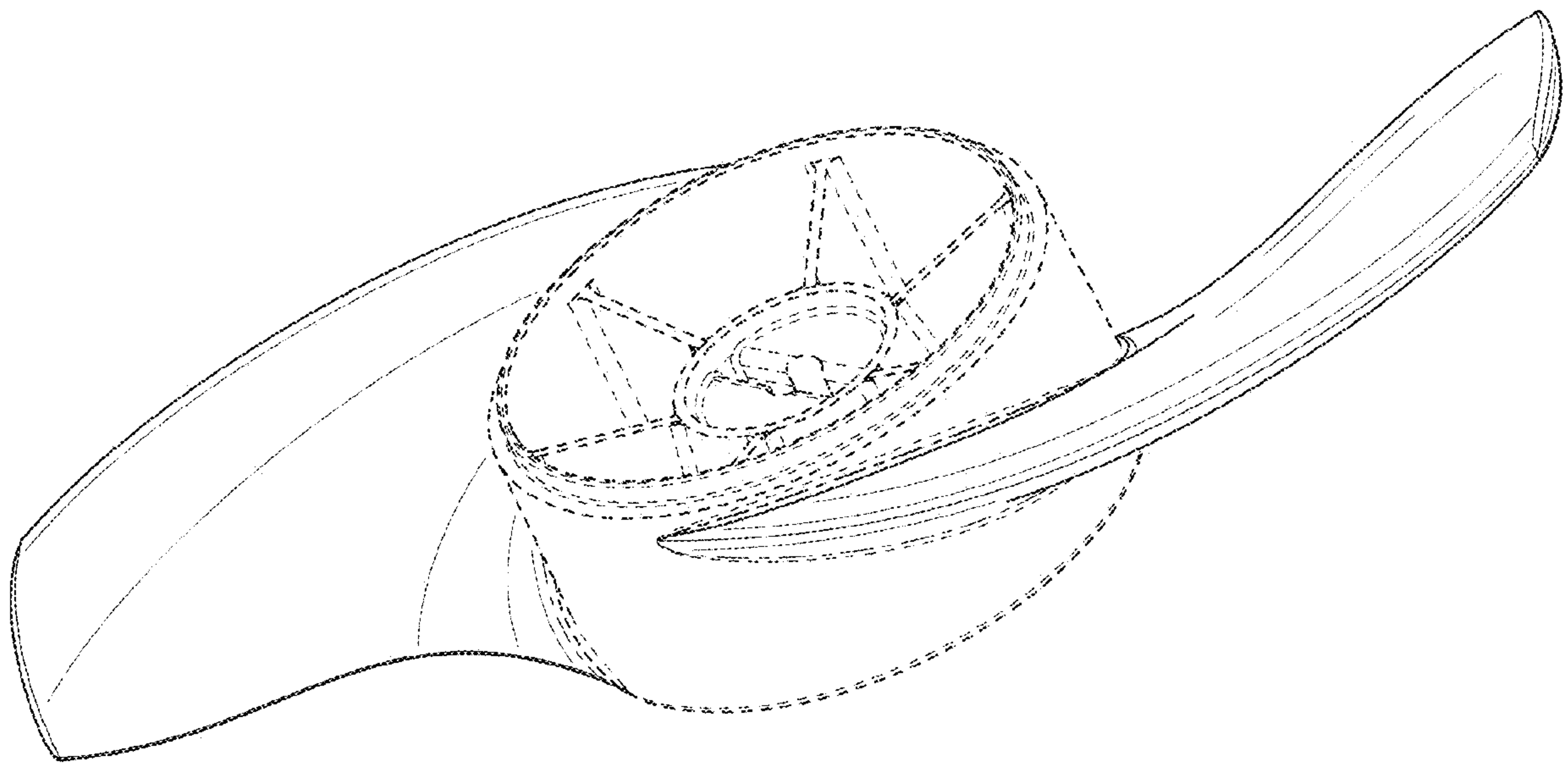


FIG. 2

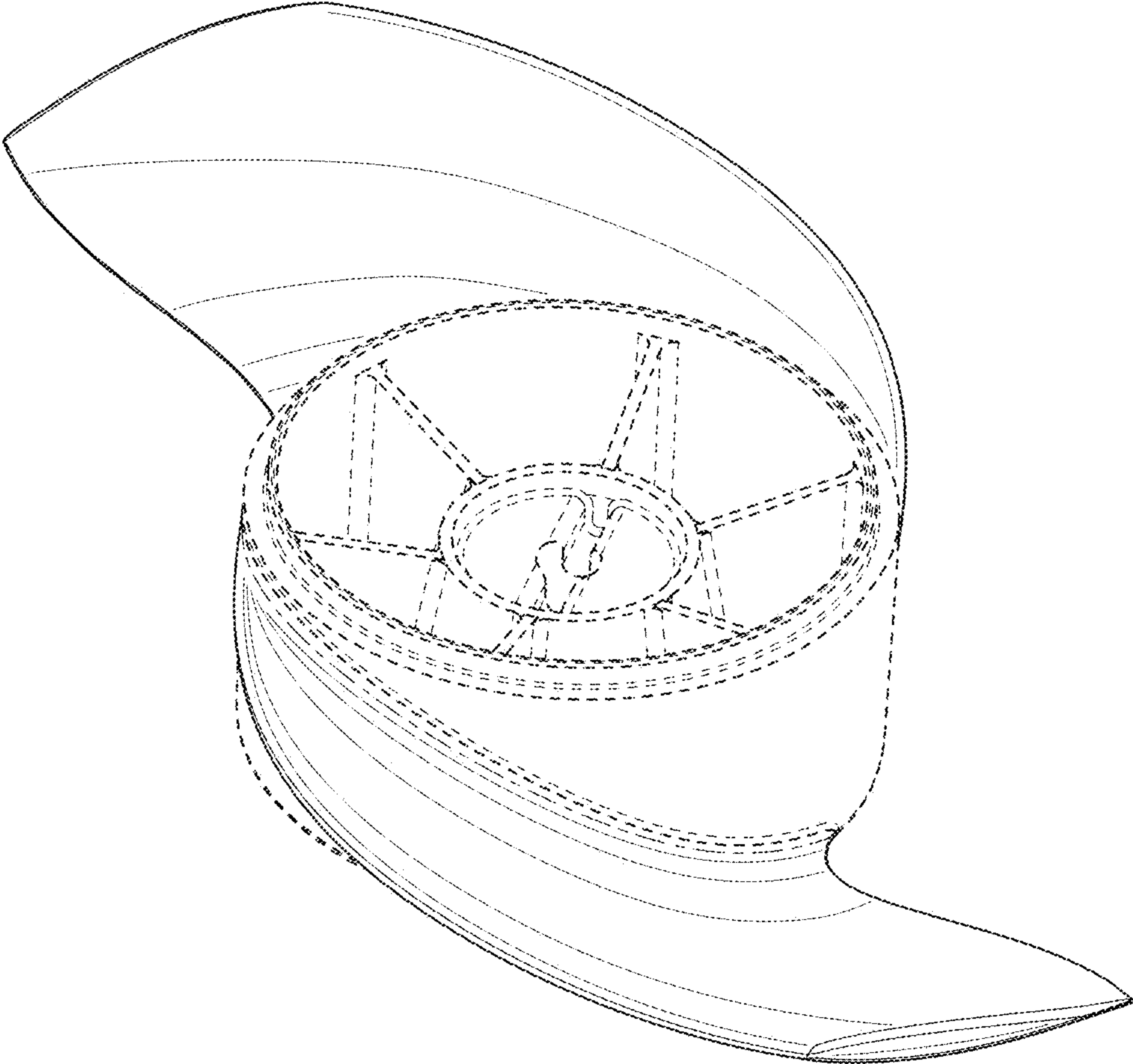


FIG. 3

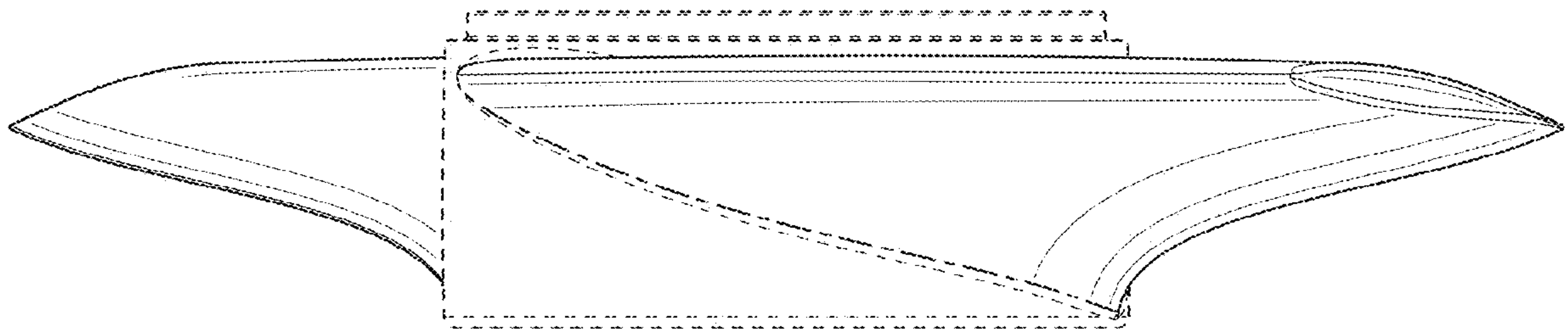


FIG. 4

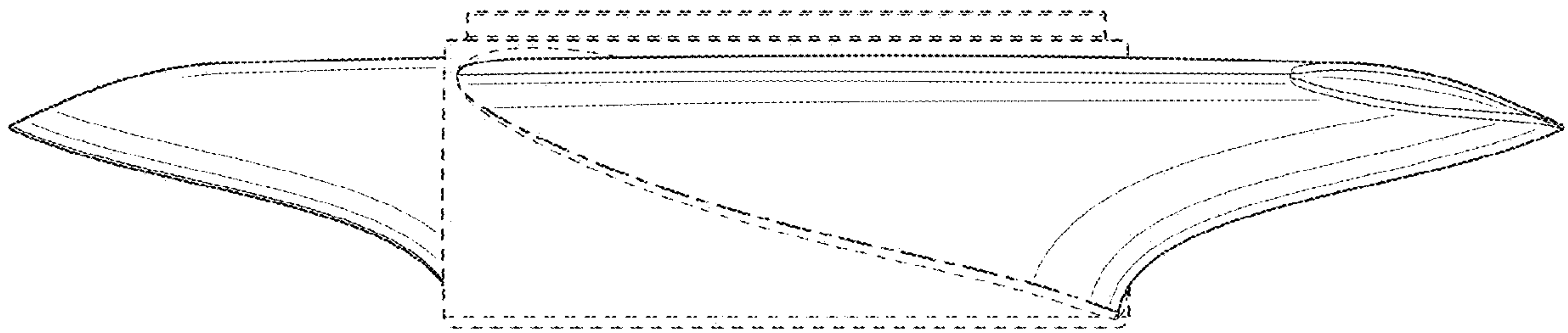


FIG. 5

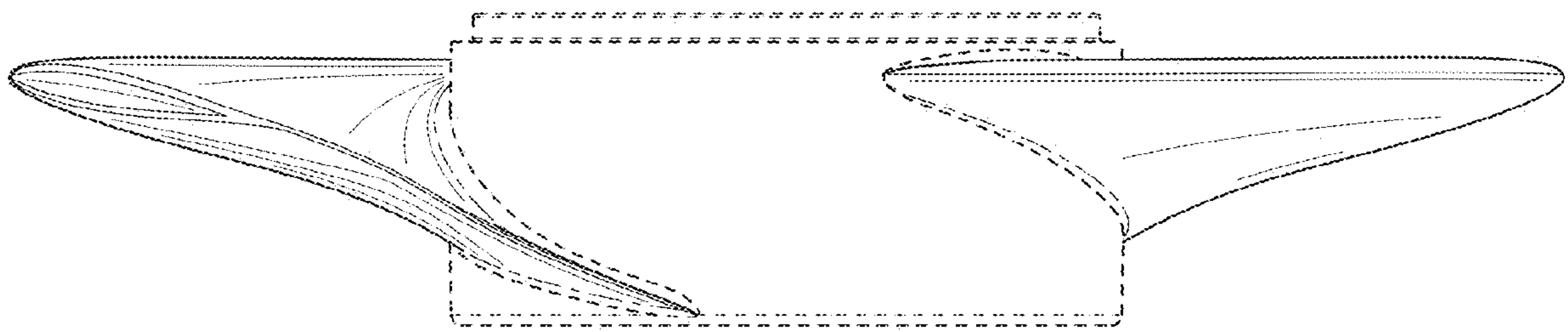


FIG. 6

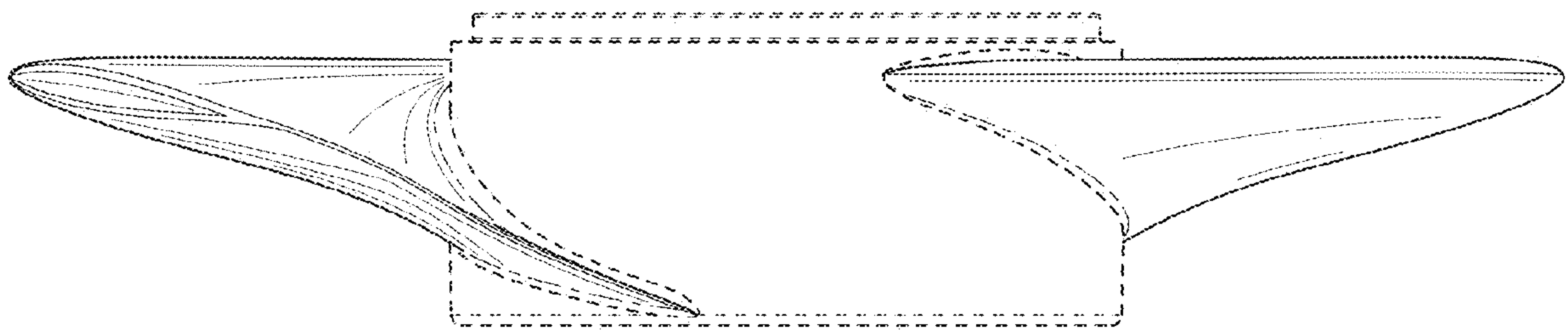


FIG. 7

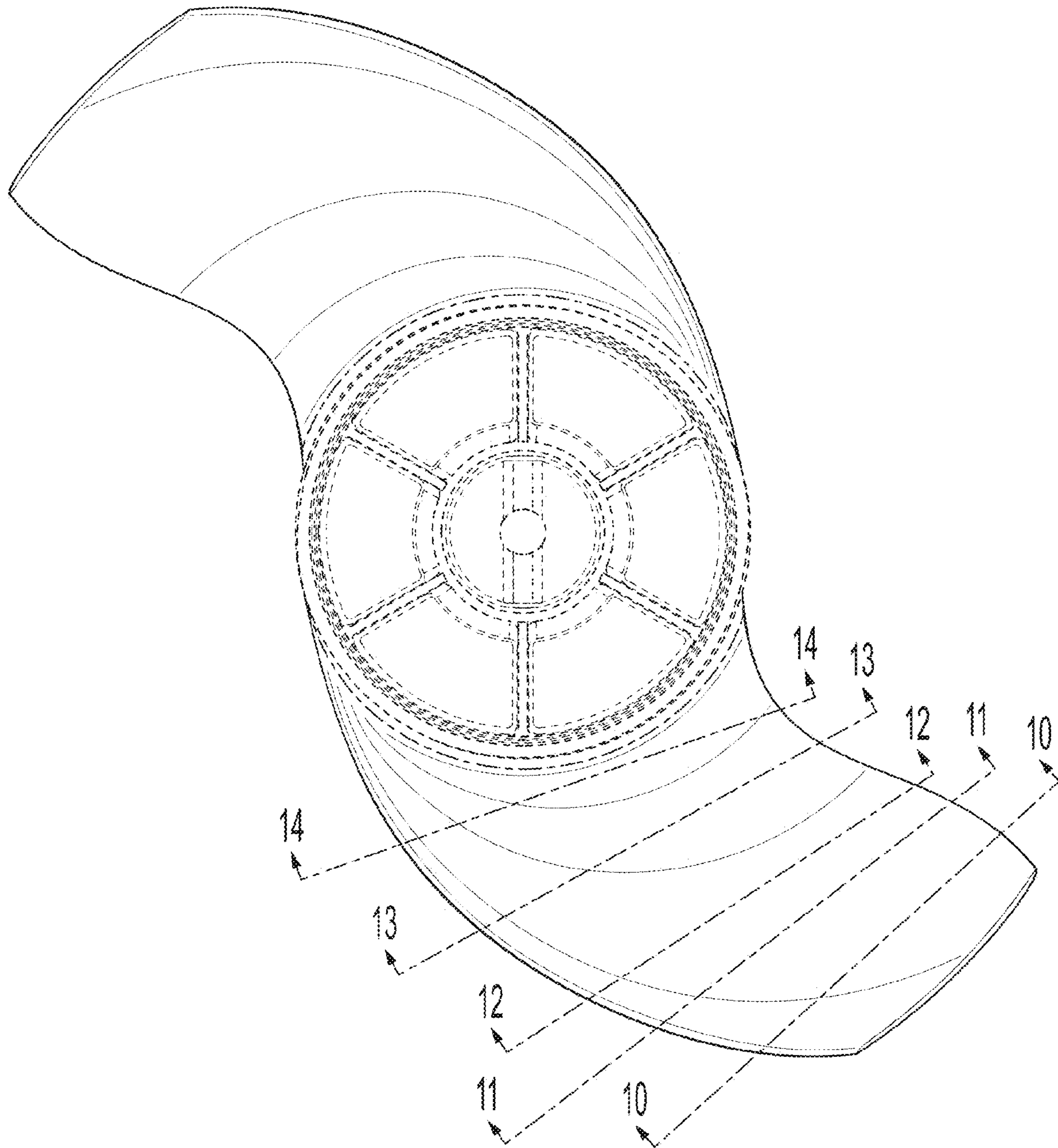


FIG. 8

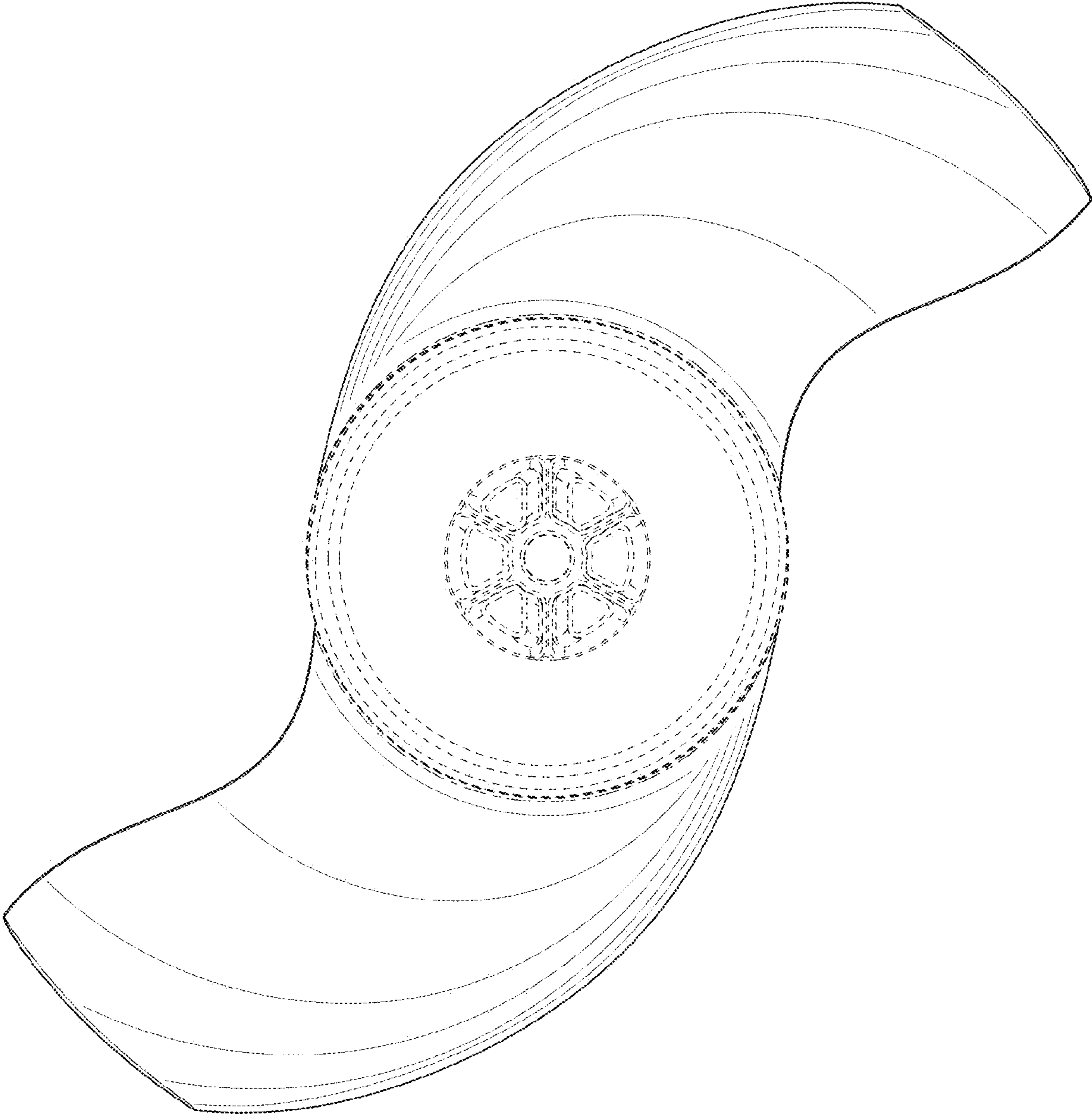


FIG. 9

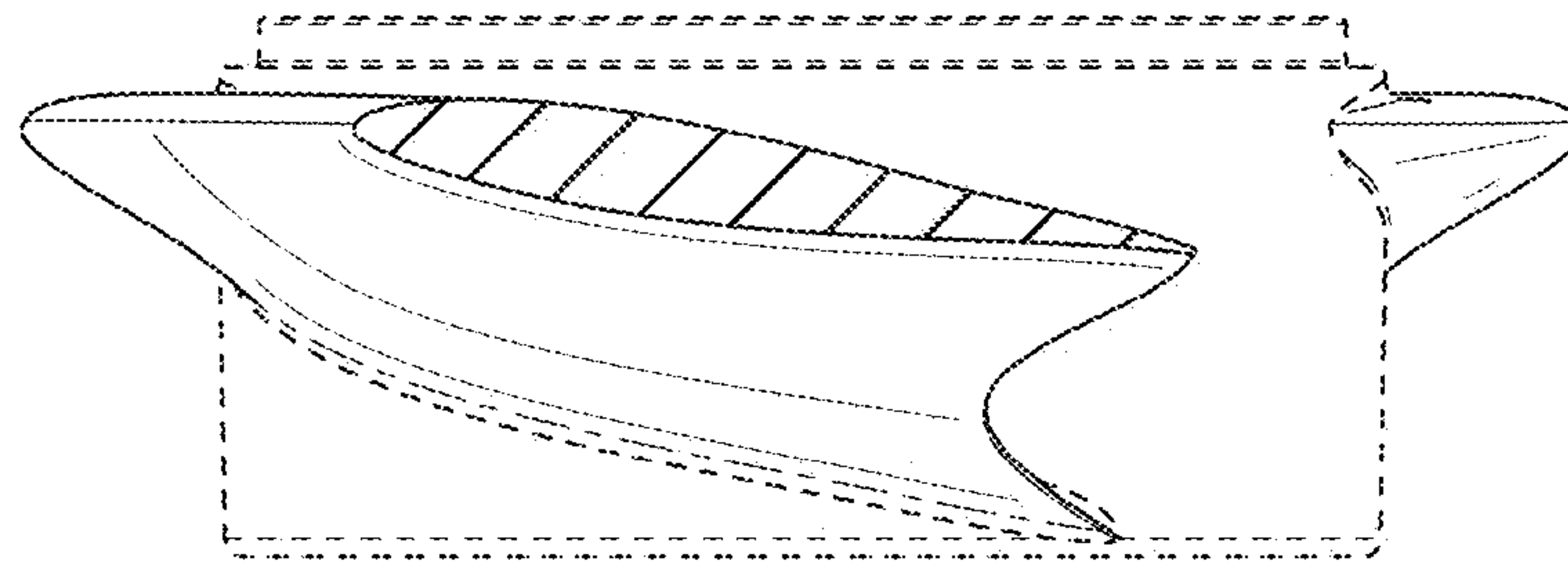


FIG. 10

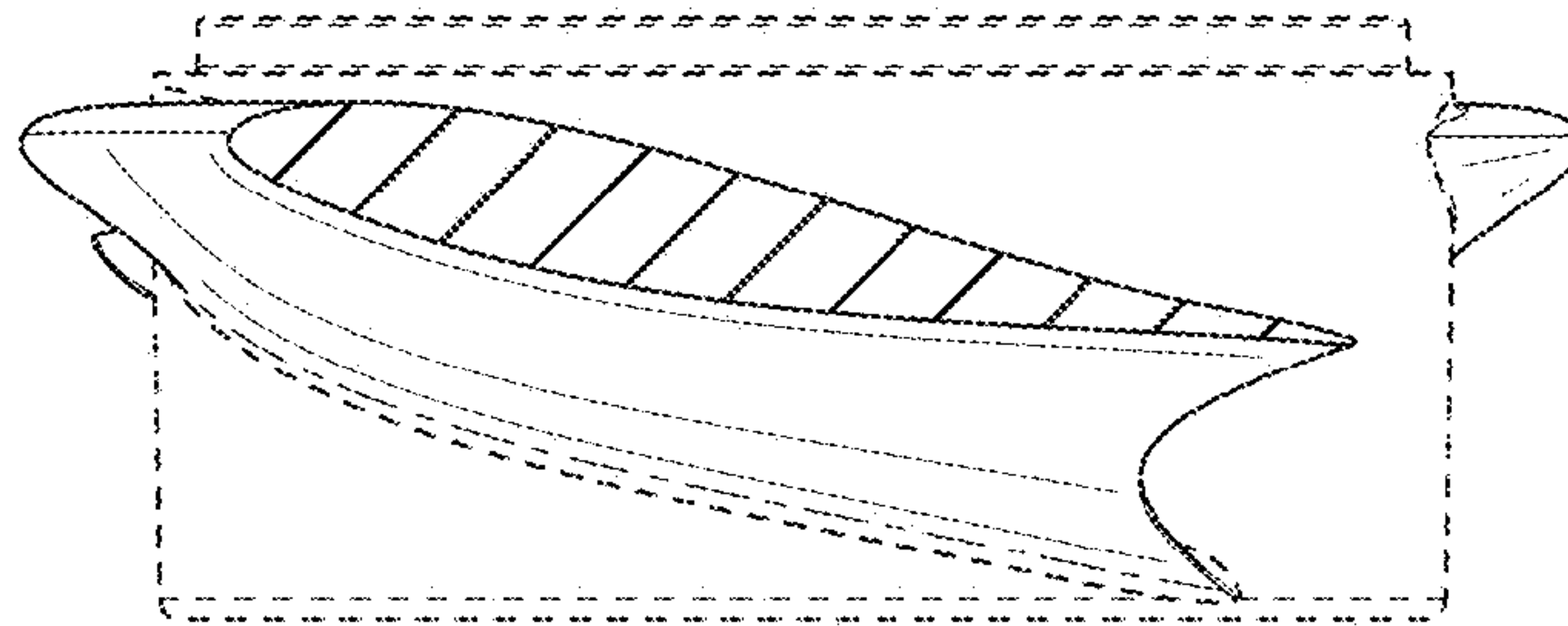


FIG. 11

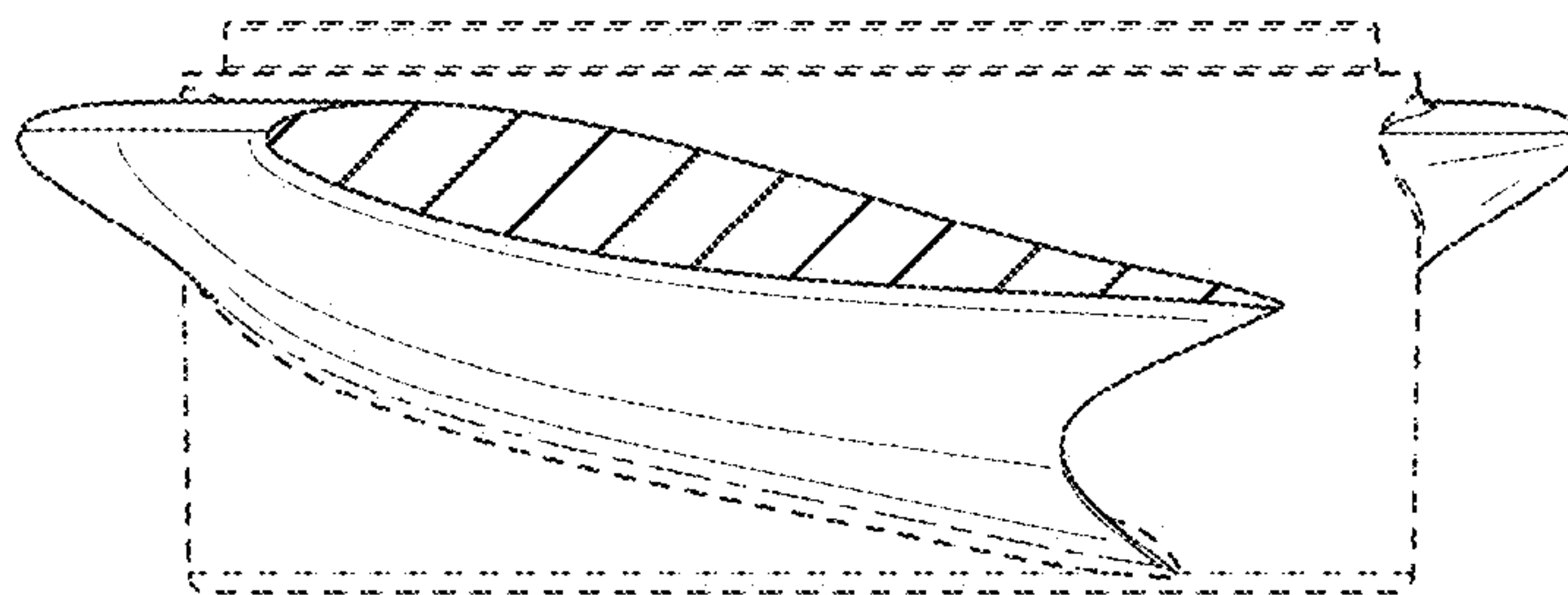


FIG. 12

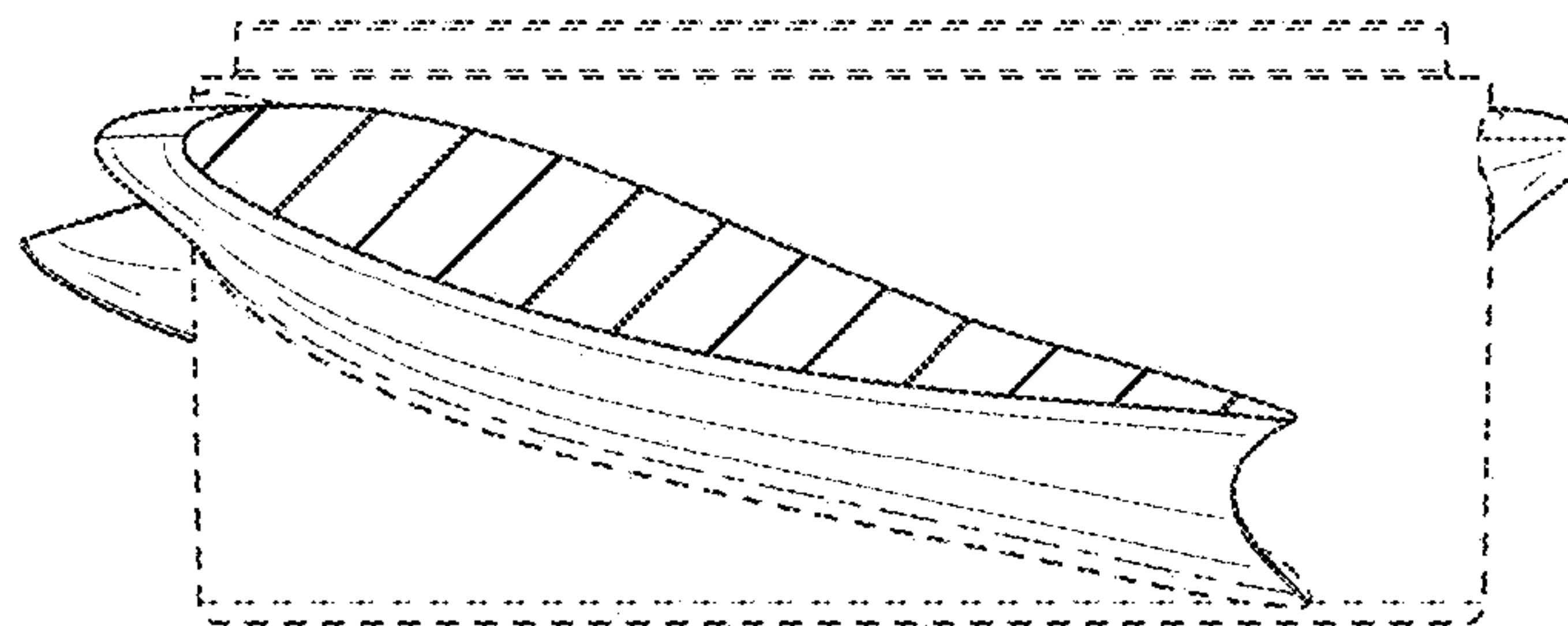


FIG. 13

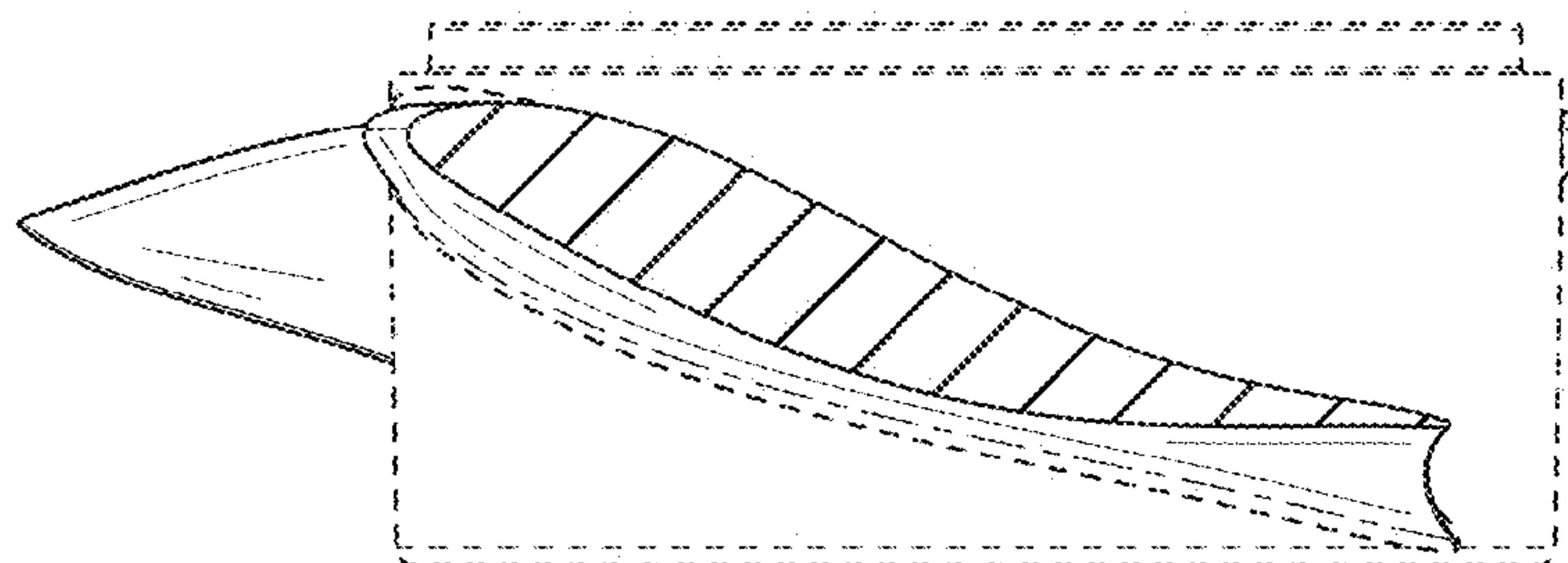


FIG. 14