



US00D895519S

(12) **United States Design Patent** (10) **Patent No.:** **US D895,519 S**
Badstuebner et al. (45) **Date of Patent:** **** Sep. 8, 2020**

(54) **VEHICLE WHEEL**
(71) Applicant: **Daimler AG**, Stuttgart (DE)
(72) Inventors: **Achim-Dietrich Badstuebner**, Munich (DE); **Patrick Guth**, Huefflenhardt (DE); **Robert Lesnik**, Leonberg (DE); **Peter Riedel**, Holzgerlingen (DE)
(73) Assignee: **Daimler AG**, Stuttgart (DE)
(**) Term: **15 Years**
(21) Appl. No.: **29/717,975**
(22) Filed: **Dec. 20, 2019**

D578,948 S * 10/2008 Asada D12/211
D585,353 S * 1/2009 Scheu D12/211
D591,663 S * 5/2009 Chung D12/211
D604,685 S * 11/2009 Zhou D12/211
D605,999 S * 12/2009 Stopp D12/211
D610,064 S * 2/2010 Dilber D12/211
D625,245 S * 10/2010 Hans D12/211
D656,878 S * 4/2012 Johnson D12/211
D688,189 S * 8/2013 Alfonso D12/211
D698,720 S * 2/2014 Farh-Becker D12/211
D702,613 S * 4/2014 Scheinhutte D12/211
D709,019 S * 7/2014 Hale, Jr. D12/211
D714,208 S * 9/2014 Chung D12/211
D722,938 S * 2/2015 Chung D12/211
D736,135 S * 8/2015 Grake D12/211
D763,767 S * 8/2016 Alfonso D12/211
D763,772 S * 8/2016 Chung D12/211
D765,005 S * 8/2016 Garbas D12/211
D781,768 S * 3/2017 Buck D12/211
D787,414 S * 5/2017 Alfonso D12/211

(Continued)

Related U.S. Application Data

(62) Division of application No. 35/506,446, filed on Aug. 2, 2018 (U.S. filing date under 35 U.S.C. 384), and having an international filing date of Aug. 2, 2018, now Pat. No. Des. 886,022.
(51) **LOC (12) Cl.** **12-16**
(52) **U.S. Cl.**
USPC **D12/211; D12/209**
(58) **Field of Classification Search**
USPC D12/204–213
CPC B60B 1/00; B60B 1/08; B60B 1/10; B60B 1/12; B60B 3/04; B60B 3/06; B60B 3/10; B60B 3/02; B60B 7/00; B60B 7/01; B60B 7/02; B60B 7/04; B60B 7/06
See application file for complete search history.

FOREIGN PATENT DOCUMENTS

WO WO DM/086239 10/2017

Primary Examiner — Darlington Ly

(74) *Attorney, Agent, or Firm* — Crowell & Moring LLP

(57) **CLAIM**

The ornamental design for a vehicle wheel, as shown and described.

DESCRIPTION

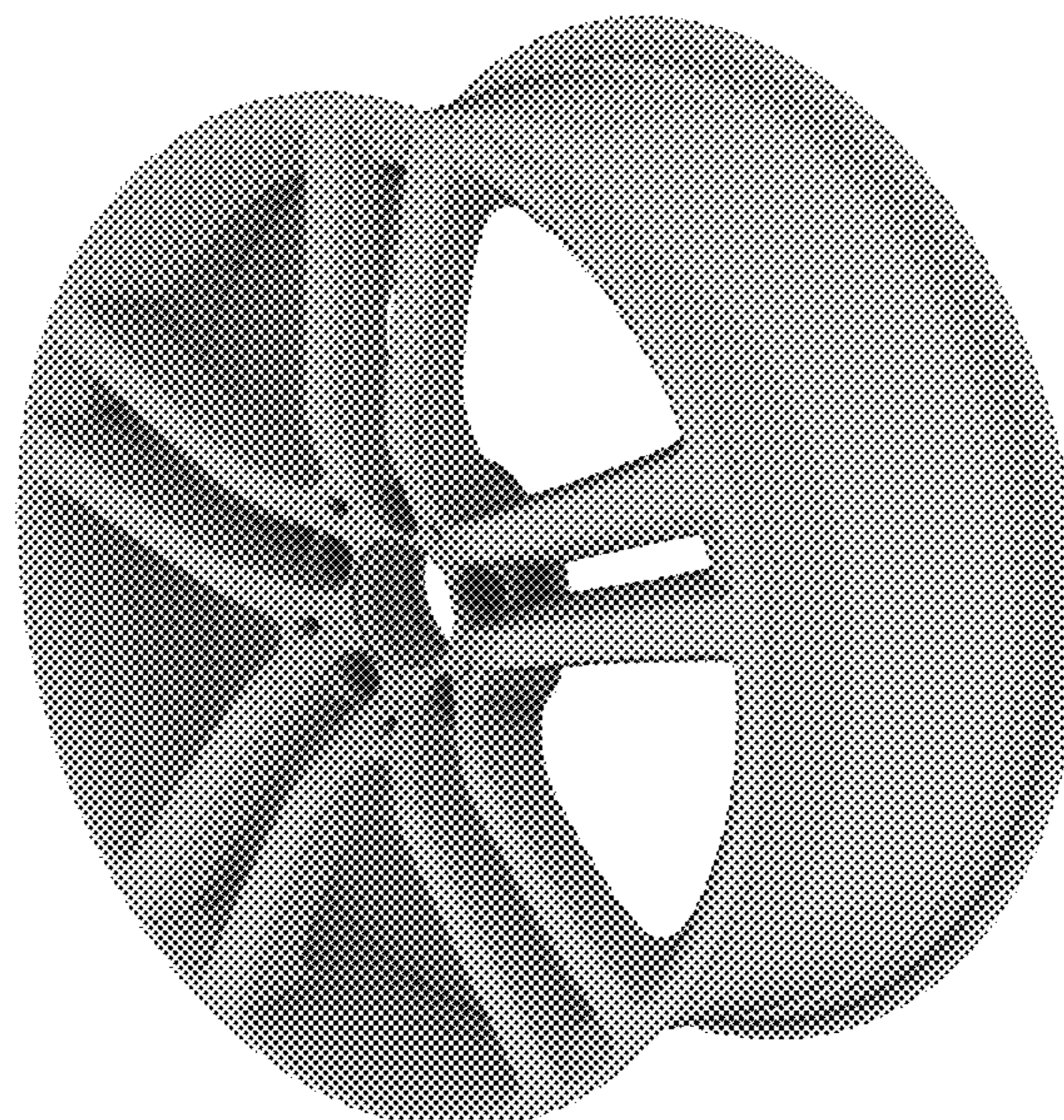
FIG. 1 is a front elevation view of a vehicle wheel showing our new design;
FIG. 2 is a front perspective view thereof;
FIG. 3 is a left side elevation view thereof;
FIG. 4 is a right side elevation view thereof;
FIG. 5 is a rear elevation view thereof;
FIG. 6 is a top plan view thereof; and,
FIG. 7 is a bottom plan view thereof.

1 Claim, 7 Drawing Sheets

(56) **References Cited**

U.S. PATENT DOCUMENTS

D474,440 S * 5/2003 Oh D12/211
D506,172 S * 6/2005 Pfeiffer D12/211
D535,606 S * 1/2007 Hernandez D12/211
D546,263 S * 7/2007 Hernandez D12/211



(56)

References Cited

U.S. PATENT DOCUMENTS

10,046,598 B2 * 8/2018 Taylor B60B 25/18
D883,174 S * 5/2020 Sempek D12/211

* cited by examiner

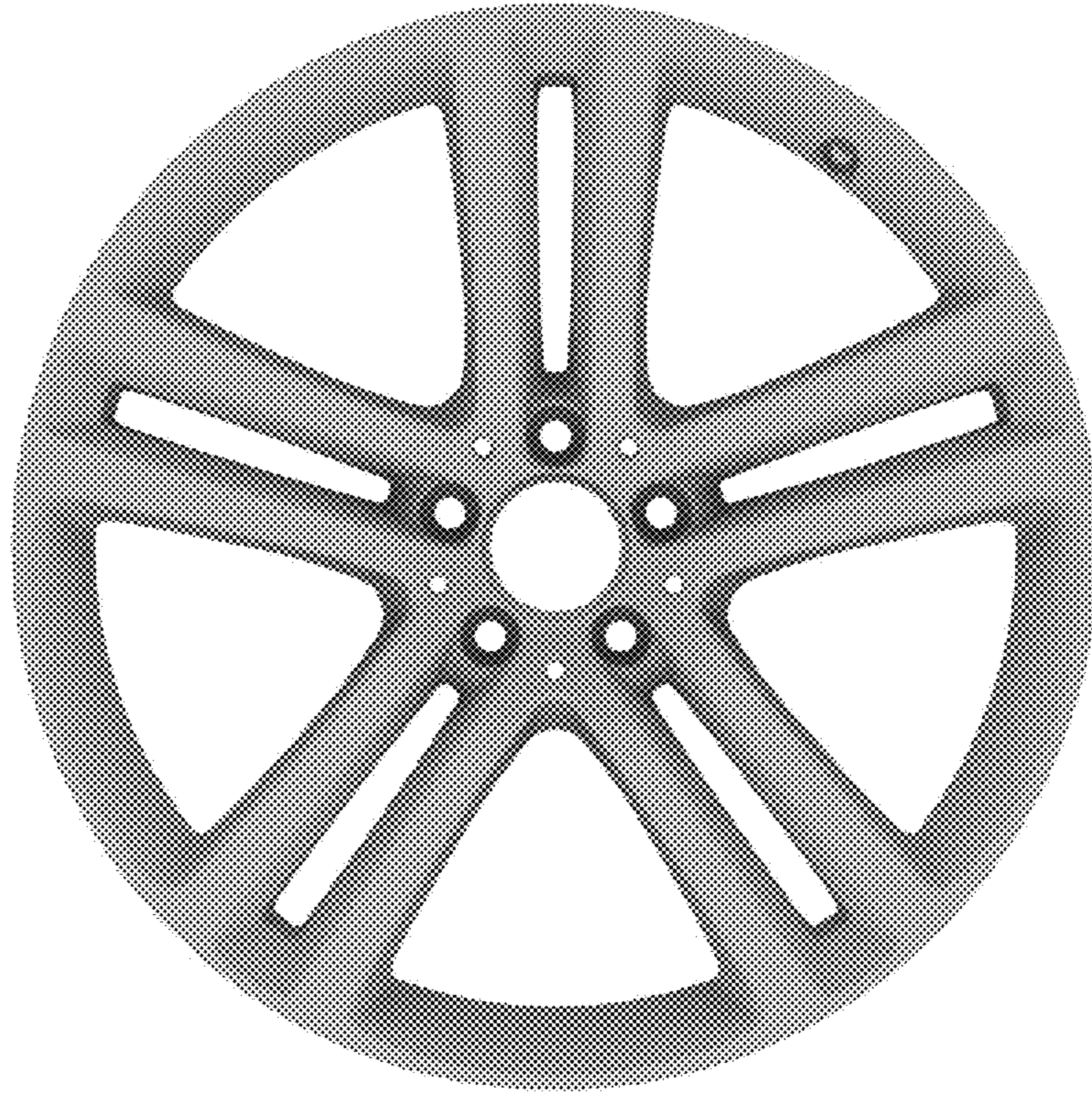


Fig. 1

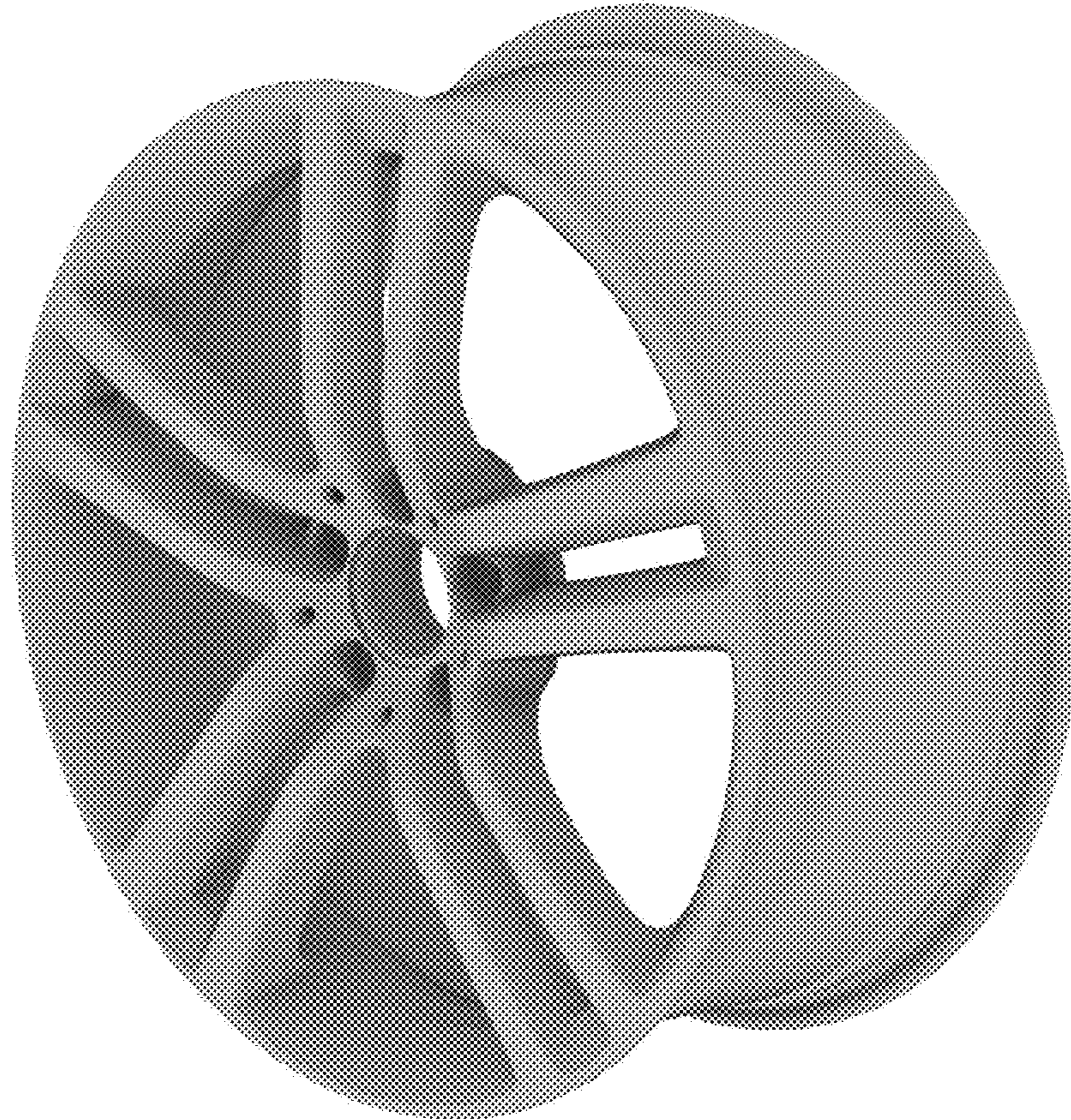


Fig. 2

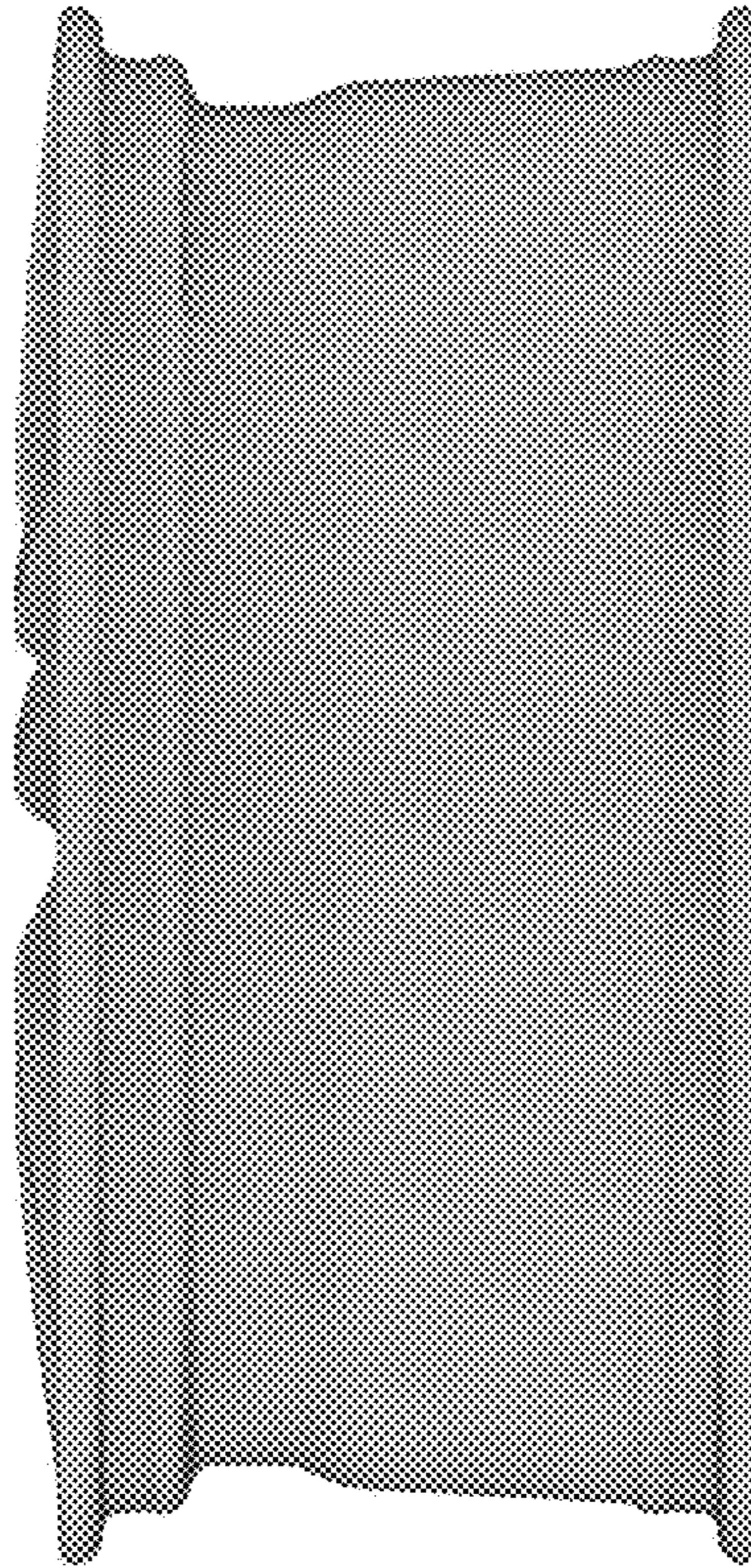


Fig. 3

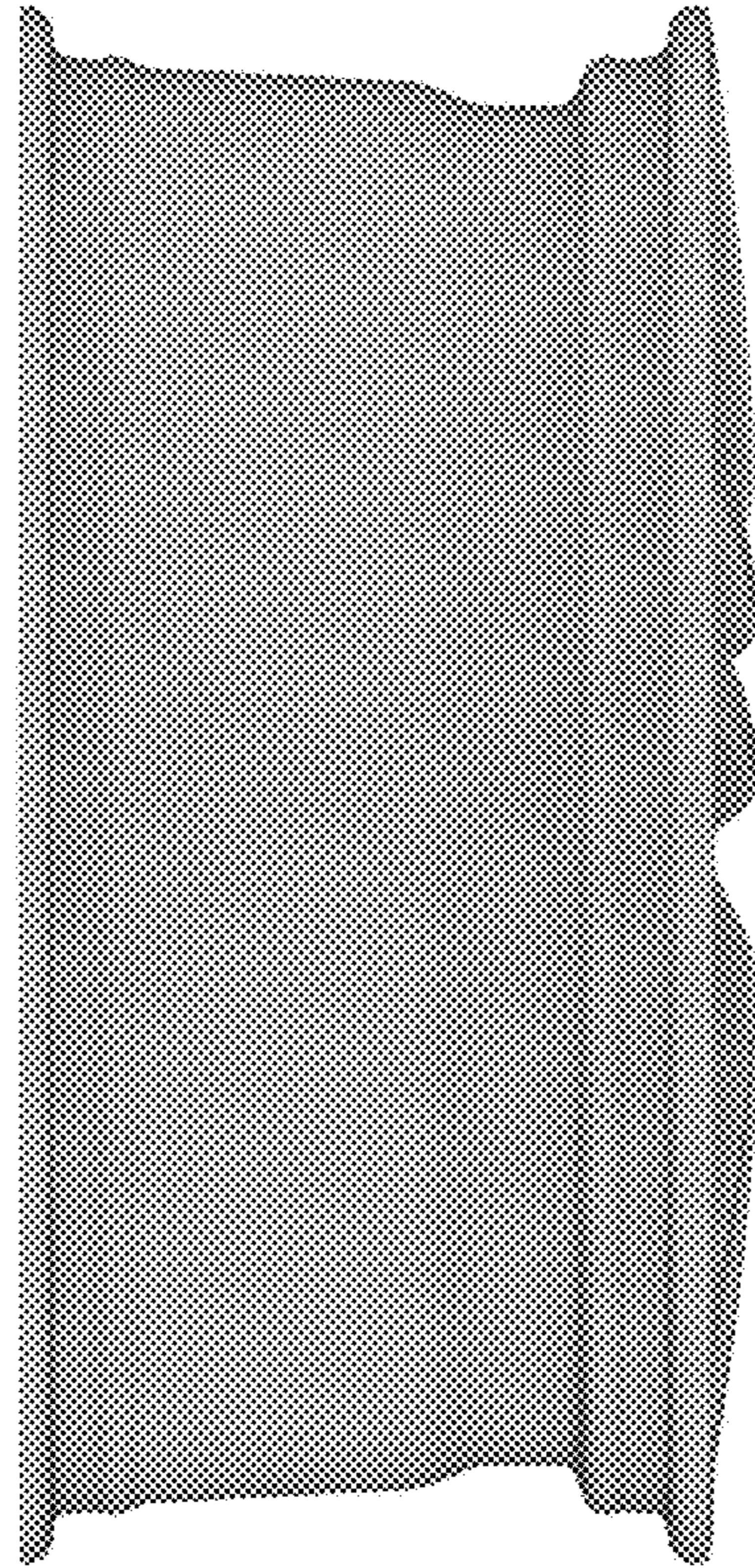


Fig. 4

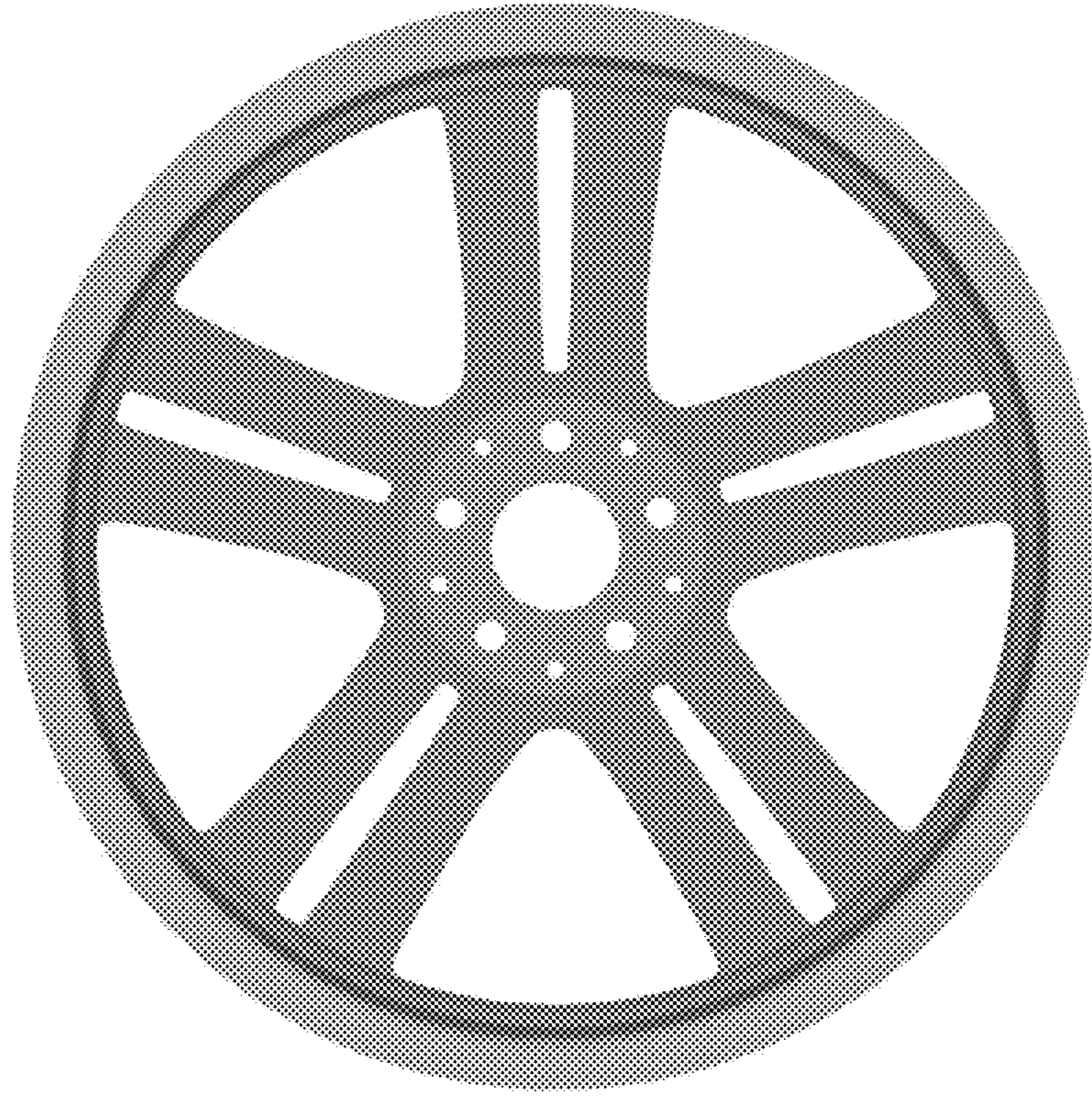


Fig. 5

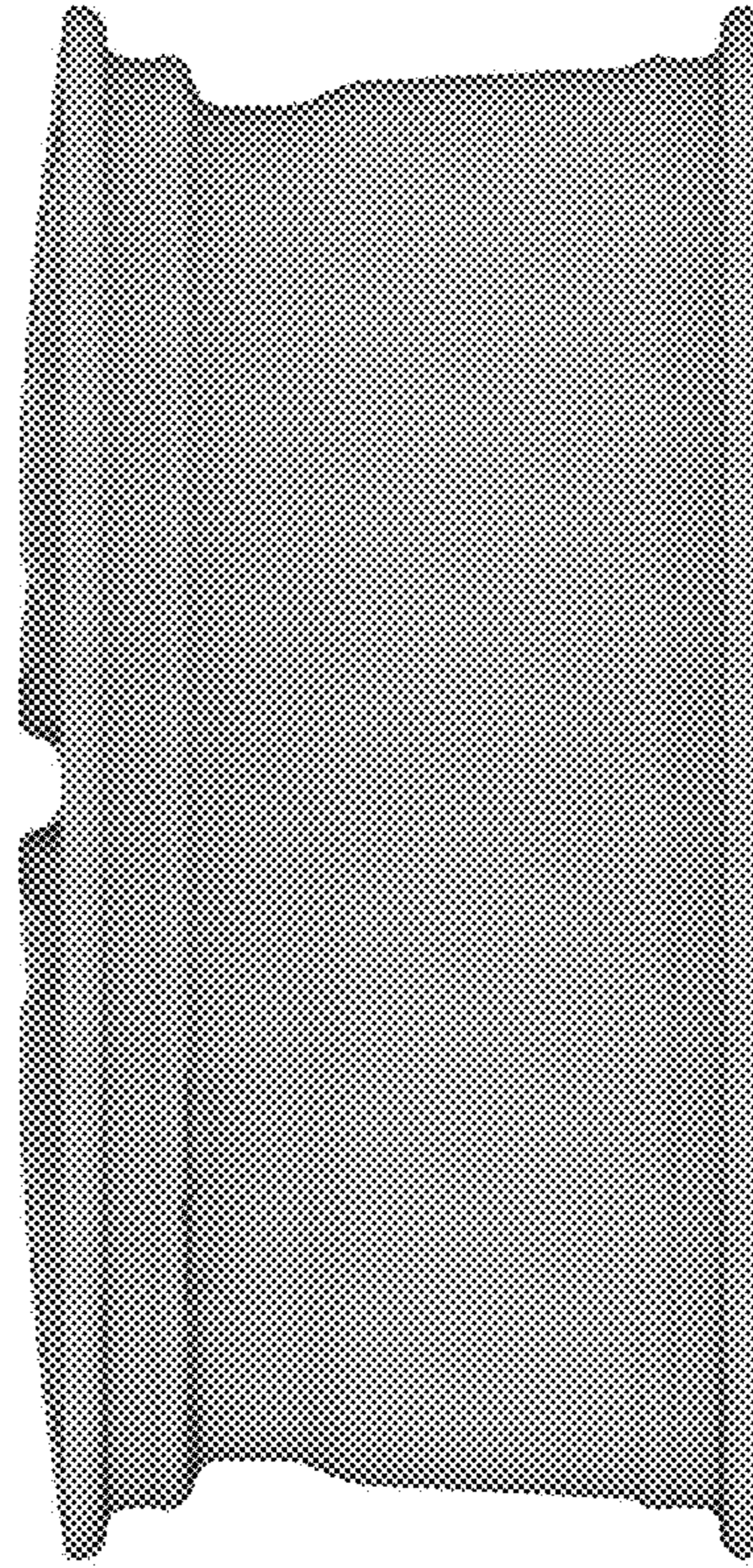


Fig. 6

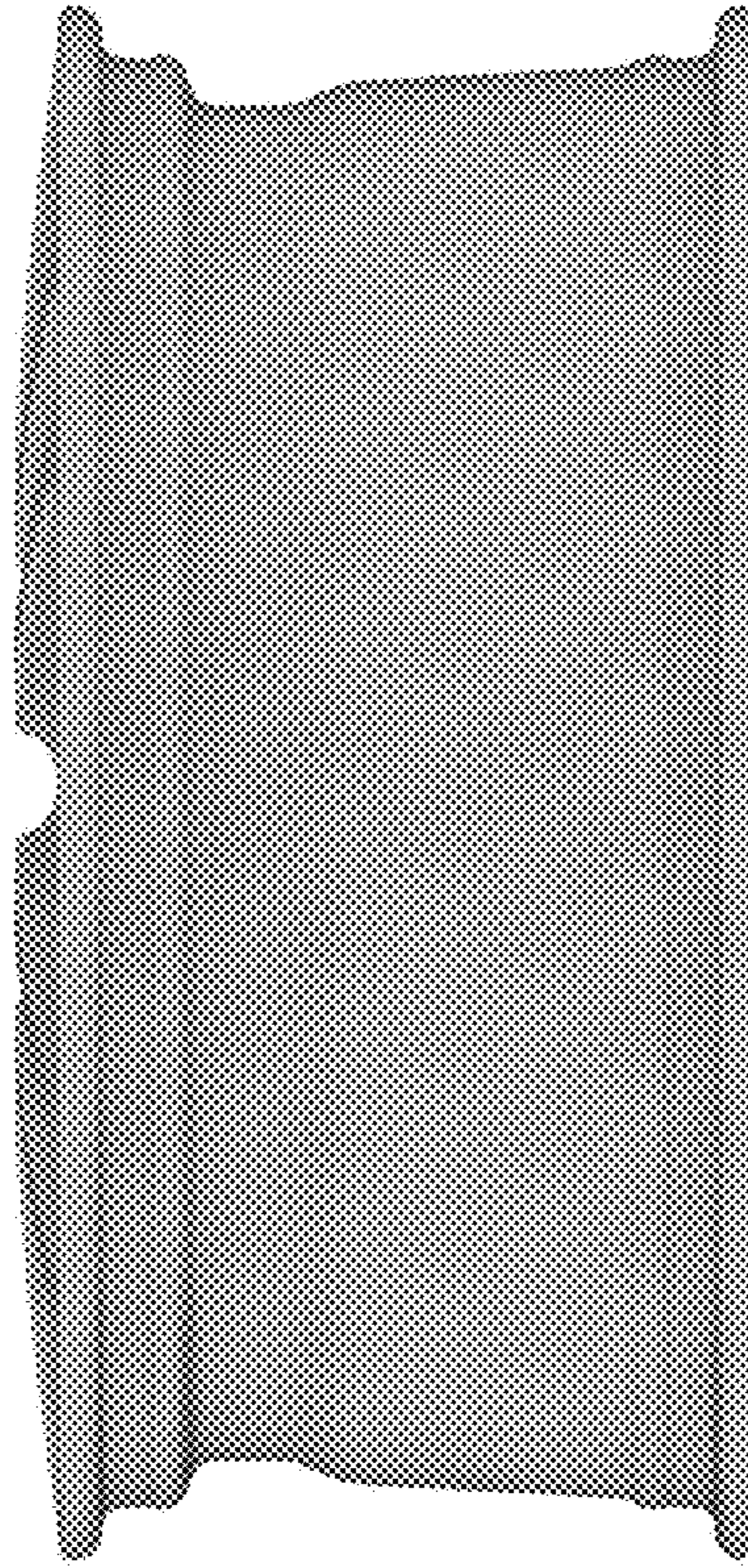


Fig. 7