



US00D895517S

(12) **United States Design Patent** (10) **Patent No.:** **US D895,517 S**
Badstuebner et al. (45) **Date of Patent:** **** Sep. 8, 2020**

(54) **VEHICLE WHEEL**
(71) Applicant: **Daimler AG**, Stuttgart (DE)
(72) Inventors: **Achim-Dietrich Badstuebner**, Munich (DE); **Karen Harutyunyan**, Rodgau (DE); **Robert Lesnik**, Leonberg (DE); **Peter Riedel**, Holzgerlingen (DE)
(73) Assignee: **Daimler AG**, Stuttgart (DE)
(**) Term: **15 Years**
(21) Appl. No.: **29/717,973**
(22) Filed: **Dec. 20, 2019**

D666,952 S * 9/2012 Pollmann D12/209
D670,632 S * 11/2012 Schweizer D12/211
D673,104 S * 12/2012 Lemke D12/211
D682,764 S * 5/2013 Amezketta D12/211
D682,768 S * 5/2013 Hale D12/211
8,490,665 B2 * 7/2013 Nagata B60B 1/06
152/381.6
D689,809 S * 9/2013 Kim D12/209
D715,715 S * 10/2014 Pollmann D12/209
D718,206 S * 11/2014 Song D12/211
D747,252 S * 1/2016 Buckingham D12/211
9,327,547 B2 * 5/2016 Morishita B60B 3/10
9,375,977 B2 * 6/2016 Tanaka B60B 3/005
D761,182 S * 7/2016 Valencia Pollex D12/211
D767,466 S * 9/2016 Juergens D12/211
D769,169 S * 10/2016 Kumeya D12/211
9,493,031 B2 * 11/2016 Dick B60B 3/02
D784,898 S * 4/2017 Setter D12/211
D787,409 S * 5/2017 Smith D12/211
D794,529 S * 8/2017 Valencia Pollex D12/211

(Continued)

Related U.S. Application Data

(62) Division of application No. 35/506,446, filed on Aug. 2, 2018 (U.S. filing date under 35 U.S.C. 384), and having an international filing date of Aug. 2, 2018, now Pat. No. Des. 886,022.
(51) **LOC (12) Cl.** **12-16**
(52) **U.S. Cl.**
USPC **D12/211**; D12/209
(58) **Field of Classification Search**
USPC D12/204–213
CPC B60B 1/00; B60B 1/08; B60B 1/10; B60B 1/12; B60B 3/04; B60B 3/06; B60B 3/10; B60B 3/02; B60B 7/00; B60B 7/01; B60B 7/02; B60B 7/04; B60B 7/06
See application file for complete search history.

FOREIGN PATENT DOCUMENTS

EM 002512673-0006 2/2017

Primary Examiner — Darlington Ly

(74) *Attorney, Agent, or Firm* — Crowell & Moring LLP

(57) **CLAIM**

The ornamental design for a vehicle wheel, as shown and described.

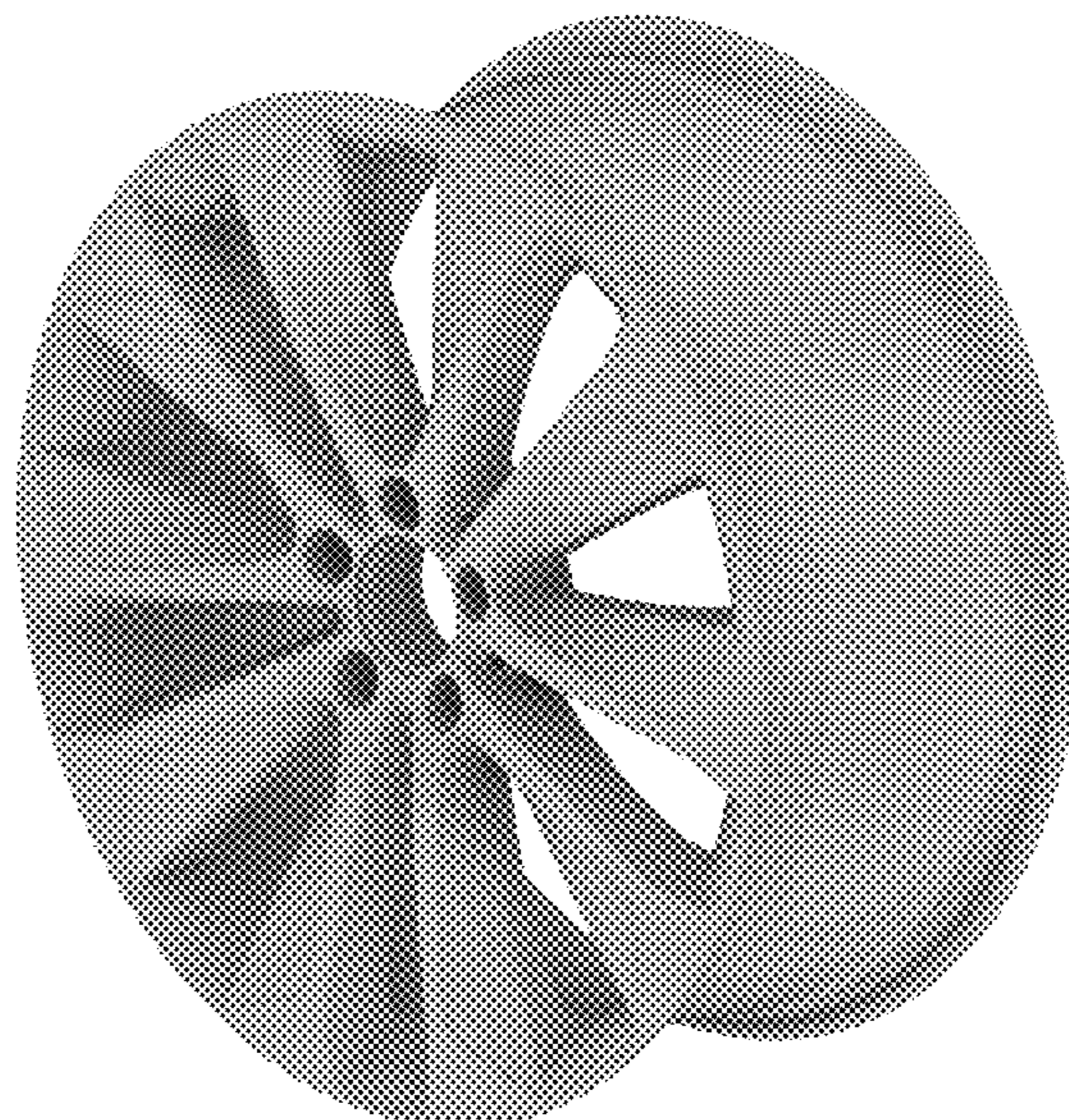
DESCRIPTION

FIG. 1 is a front elevation view of a vehicle wheel showing our new design;
FIG. 2 is a front perspective view thereof;
FIG. 3 is a left side elevation view thereof;
FIG. 4 is a right side elevation view thereof;
FIG. 5 is a rear elevation view thereof;
FIG. 6 is a top plan view thereof; and,
FIG. 7 is a bottom plan view thereof.

1 Claim, 7 Drawing Sheets

(56) **References Cited**
U.S. PATENT DOCUMENTS

D460,037 S * 7/2002 Takechi D12/211
D477,262 S * 7/2003 Koch D12/209
D587,177 S * 2/2009 Scheu D12/209
D594,397 S * 6/2009 Laengerer D12/211
D660,768 S * 5/2012 De Bono D12/211



(56)

References Cited

U.S. PATENT DOCUMENTS

D826,824 S *	8/2018	Platto	D12/209
D849,656 S *	5/2019	Peat	D12/211
D858,402 S *	9/2019	Betancourt	D12/209
D858,414 S *	9/2019	Fischer	D12/211
D858,416 S *	9/2019	Dewitt	D12/211
D859,275 S *	9/2019	Valencia Pollex	D12/211
D860,913 S *	9/2019	Groth	D12/211
D861,570 S *	10/2019	Bjerke	D12/211
D864,836 S *	10/2019	Preyss	D12/211
D867,965 S *	11/2019	Wheel	D12/211
10,500,905 B2 *	12/2019	Dunning	B60C 23/003
D872,675 S *	1/2020	O'Neill	D12/211
D877,035 S *	3/2020	Park	D12/211
D877,682 S *	3/2020	Nakajima	D12/211
D883,888 S *	5/2020	Daniel	D12/209

* cited by examiner

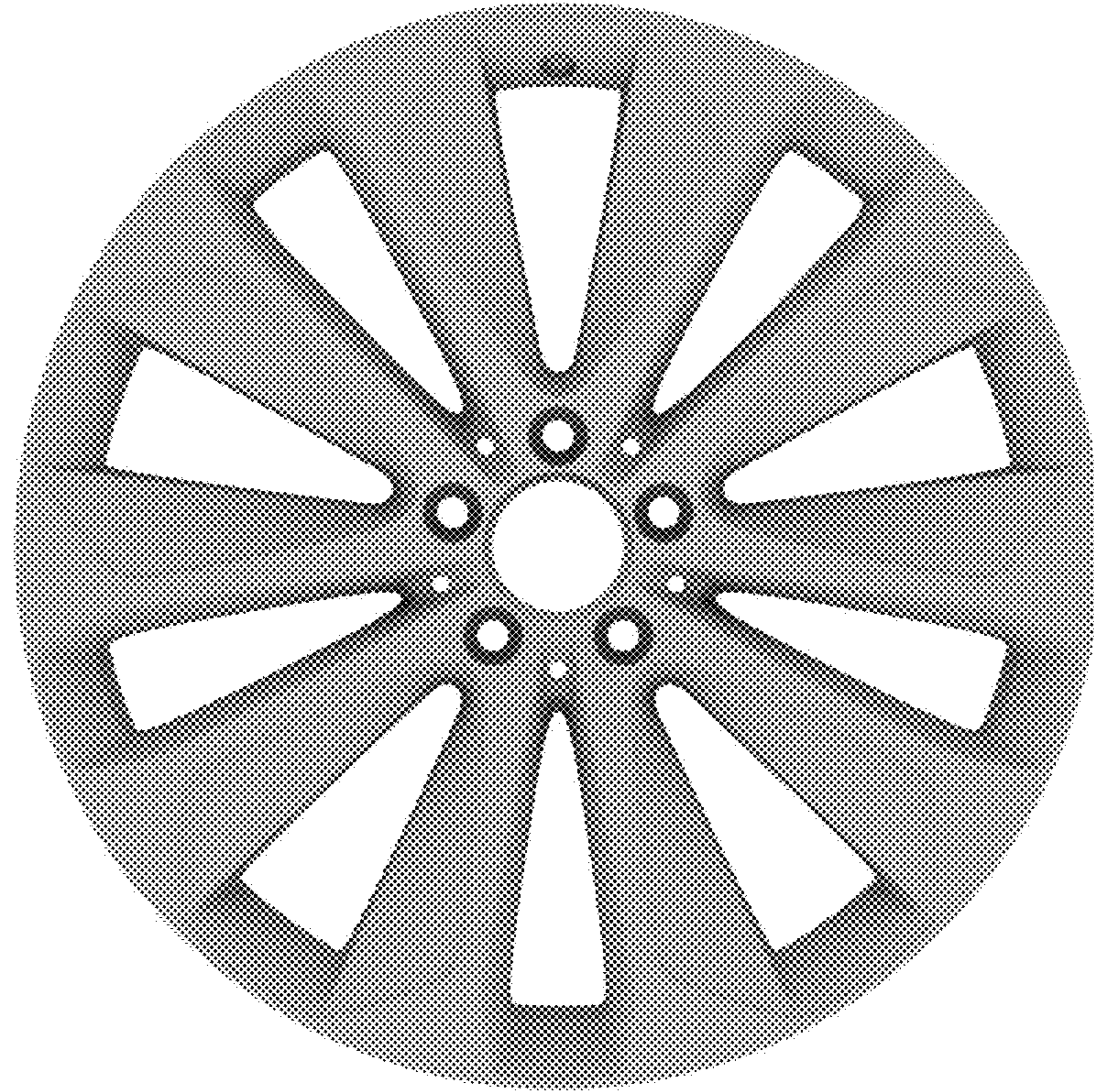


Fig. 1

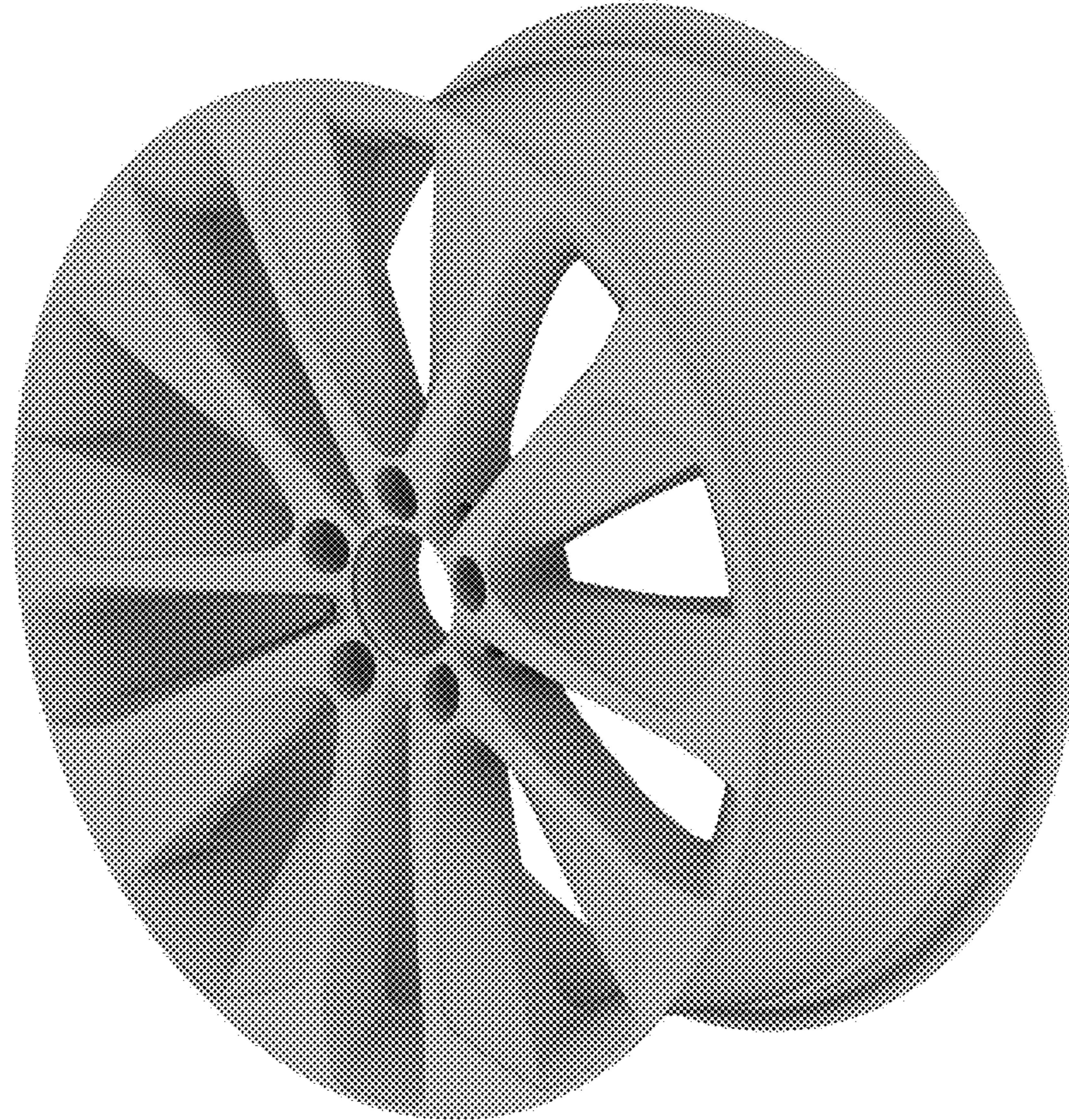


Fig. 2

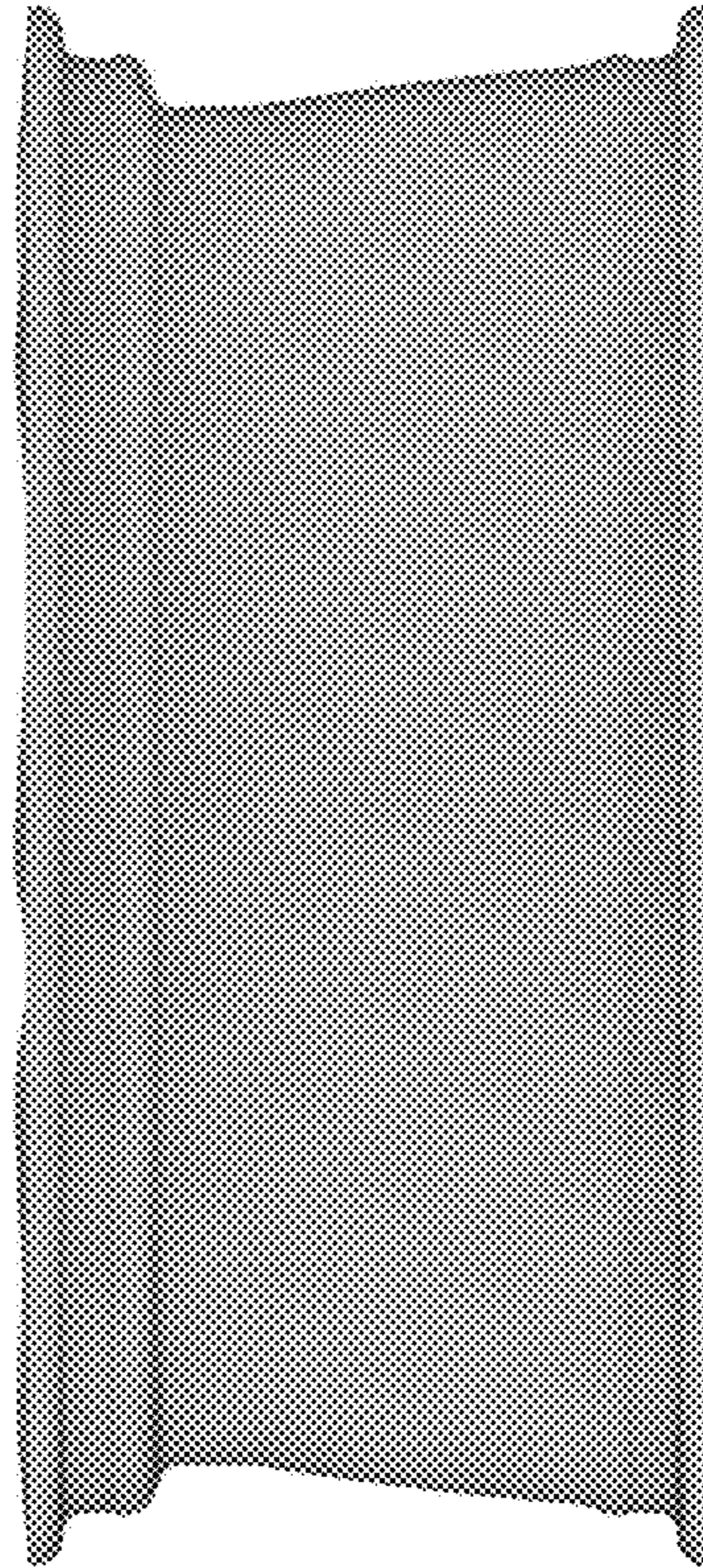


Fig. 3

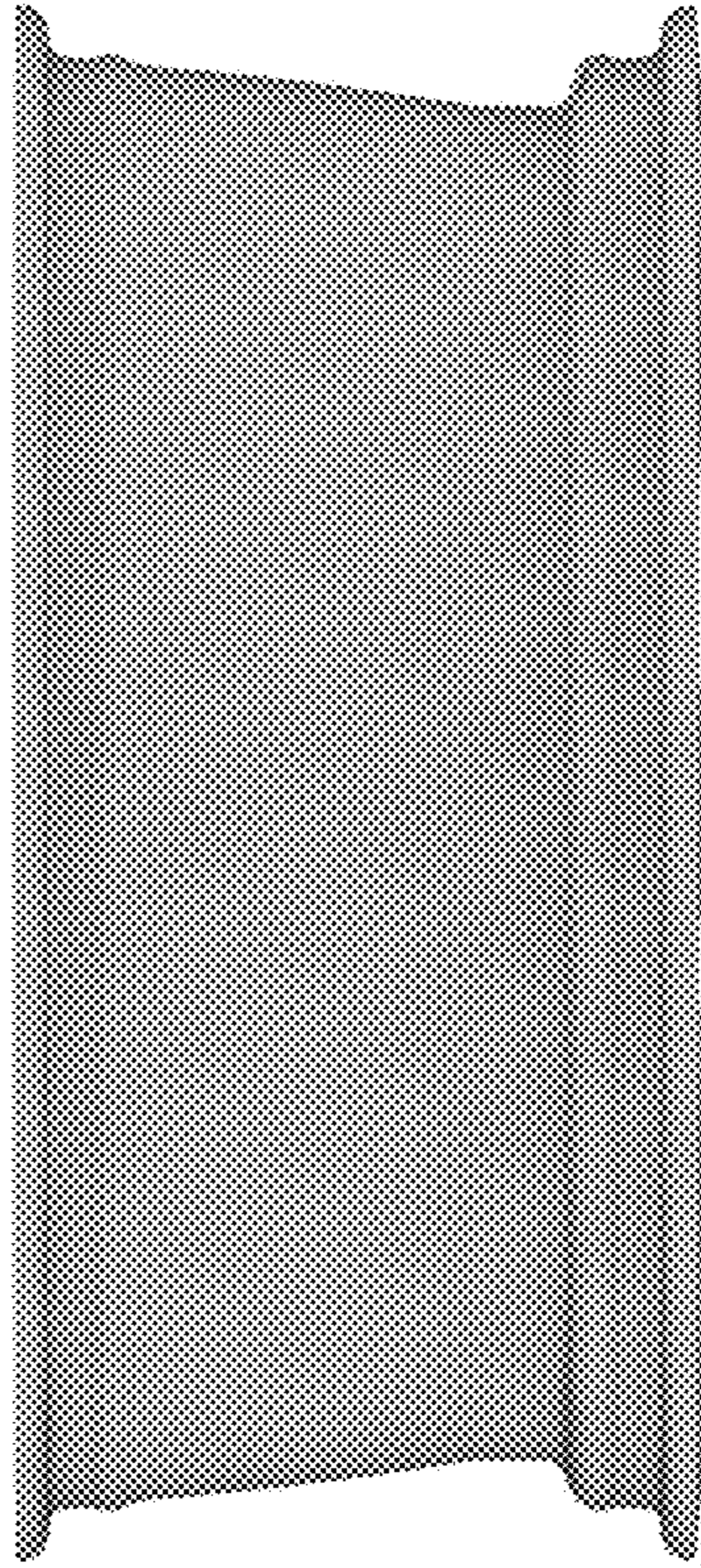


Fig. 4

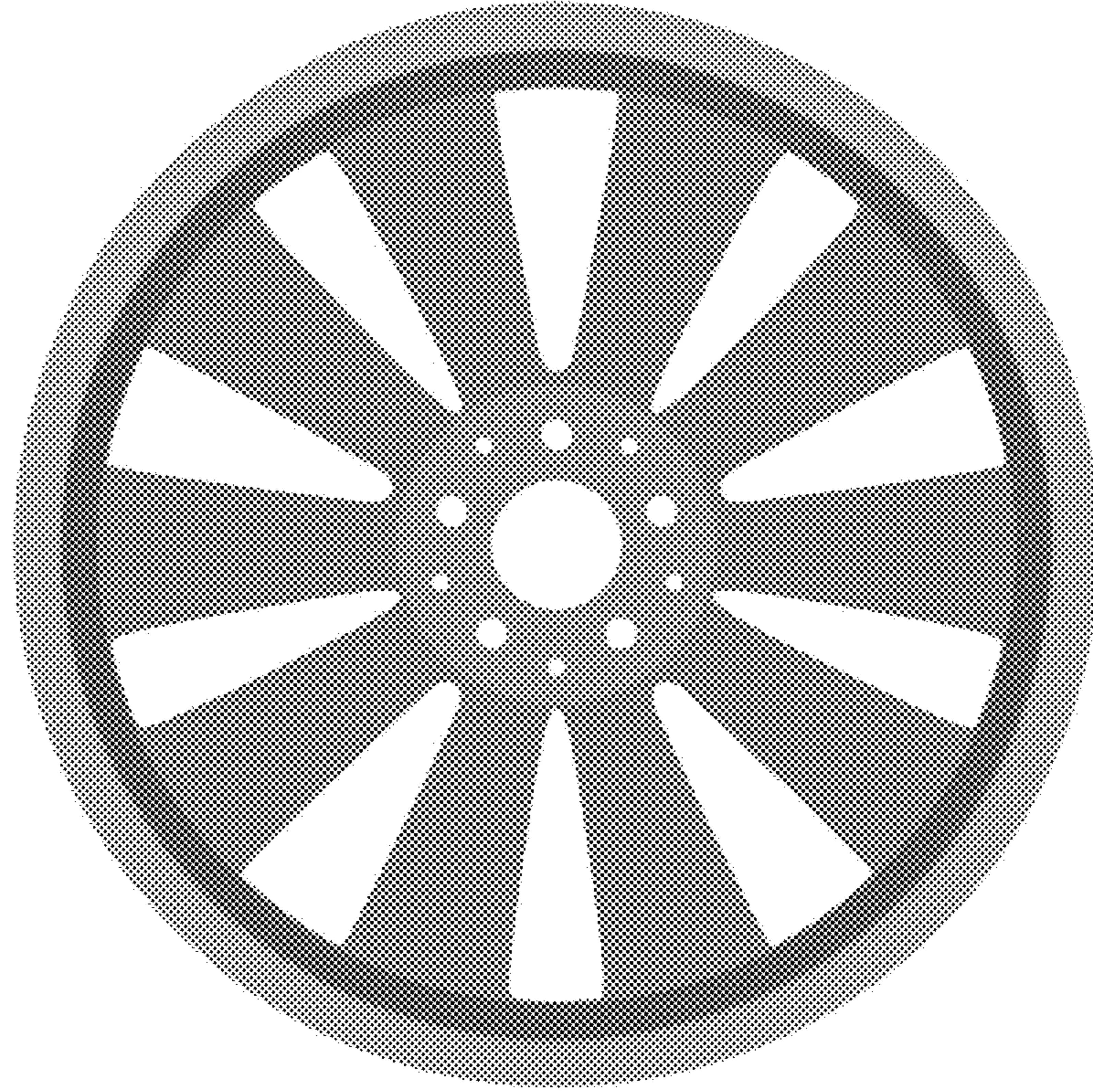


Fig. 5

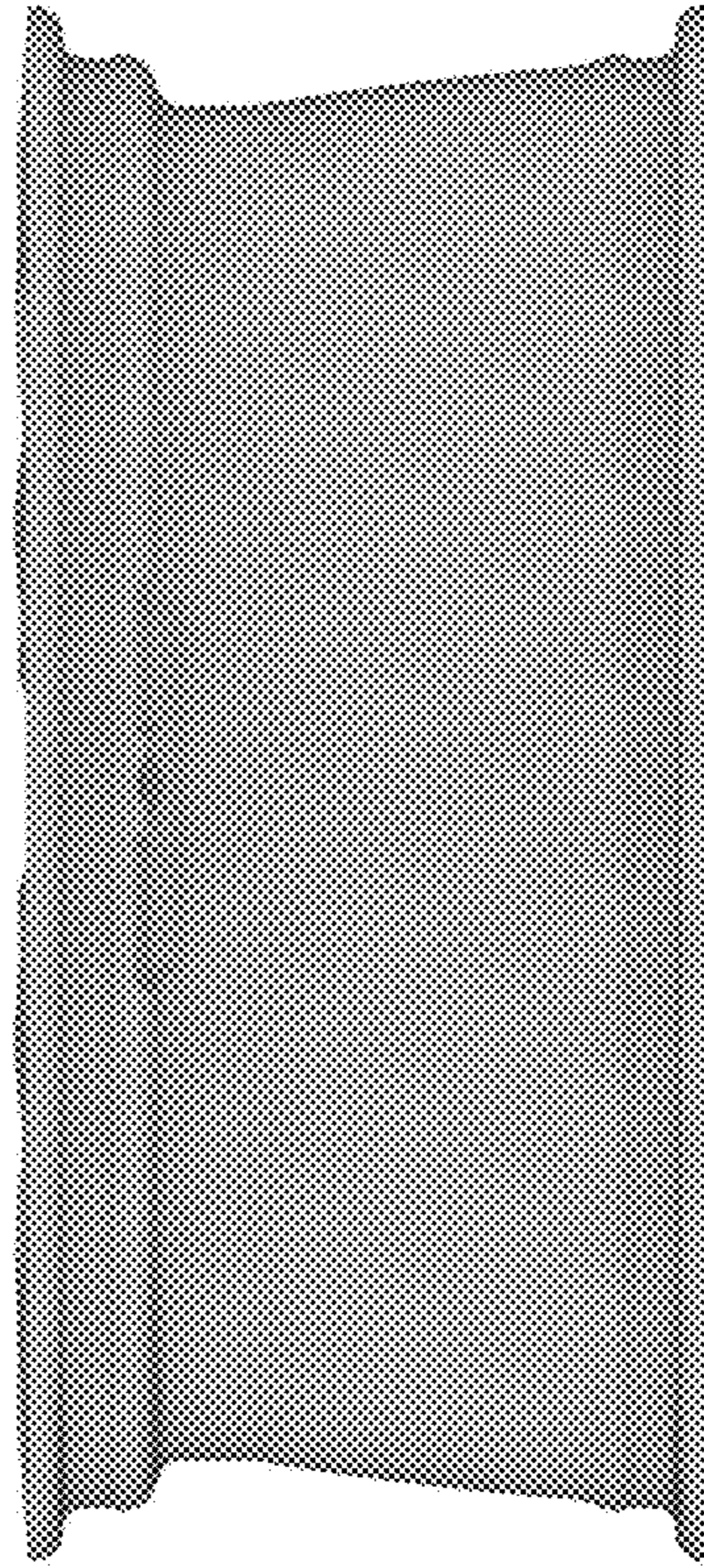


Fig. 6

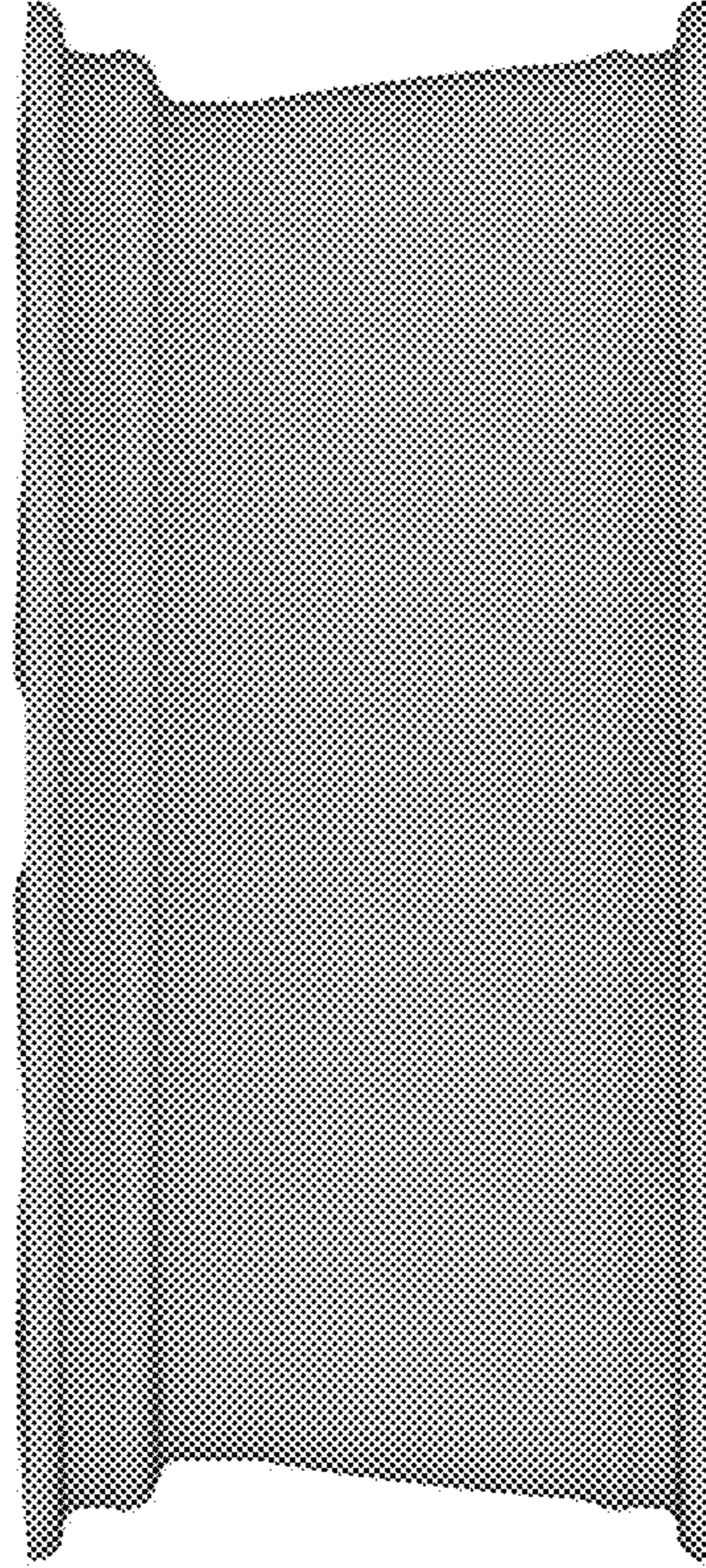


Fig. 7