

US00D895516S

(12) **United States Design Patent** (10) **Patent No.:** **US D895,516 S**
Badstuebner et al. (45) **Date of Patent:** **** Sep. 8, 2020**

- (54) **VEHICLE WHEEL**
- (71) Applicant: **Daimler AG**, Stuttgart (DE)
- (72) Inventors: **Achim-Dietrich Badstuebner**, Munich (DE); **Patrick Guth**, Huefflenhardt (DE); **Robert Lesnik**, Leonberg (DE); **Peter Riedel**, Holzgerlingen (DE)
- (73) Assignee: **Daimler AG**, Stuttgart (DE)
- (**) Term: **15 Years**
- (21) Appl. No.: **29/717,972**
- (22) Filed: **Dec. 20, 2019**

D578,948 S *	10/2008	Asada	D12/211
D585,353 S *	1/2009	Scheu	D12/211
D591,663 S *	5/2009	Chung	D12/211
D604,685 S *	11/2009	Zhou	D12/211
D605,999 S *	12/2009	Stopp	D12/211
D610,064 S *	2/2010	Dilber	D12/211
D625,245 S *	10/2010	Hans	D12/211
D656,878 S *	4/2012	Johnson	D12/211
D688,189 S *	8/2013	Alfonso	D12/211
D698,720 S *	2/2014	Farh-Becker	D12/211
D702,613 S *	4/2014	Scheinhutte	D12/211
D709,019 S *	7/2014	Hale, Jr.	D12/211
D714,208 S *	9/2014	Chung	D12/211
D722,938 S *	2/2015	Chung	D12/211
D736,135 S *	8/2015	Grake	D12/211
D763,767 S *	8/2016	Alfonso	D12/211
D763,772 S *	8/2016	Chung	D12/211
D765,005 S *	8/2016	Garbas	D12/211
D781,768 S *	3/2017	Buck	D12/211
D787,414 S *	5/2017	Alfonso	D12/211

(Continued)

Related U.S. Application Data

- (62) Division of application No. 35/506,446, filed on Aug. 2, 2018 (U.S. filing date under 35 U.S.C. 384), and having an international filing date of Aug. 2, 2018, now Pat. No. Des. 886,022.
- (51) **LOC (12) Cl.** **12-16**
- (52) **U.S. Cl.**
USPC **D12/211; D12/209**
- (58) **Field of Classification Search**
USPC D12/204–213
CPC B60B 1/00; B60B 1/08; B60B 1/10; B60B 1/12; B60B 3/04; B60B 3/06; B60B 3/10; B60B 3/02; B60B 7/00; B60B 7/01; B60B 7/02; B60B 7/04; B60B 7/06
See application file for complete search history.

(56) **References Cited**

U.S. PATENT DOCUMENTS

D474,440 S *	5/2003	Oh	D12/211
D506,172 S *	6/2005	Pfeiffer	D12/211
D535,606 S *	1/2007	Hernandez	D12/211
D546,263 S *	7/2007	Hernandez	D12/211

FOREIGN PATENT DOCUMENTS

WO WO DM/086239 10/2017

Primary Examiner — Darlington Ly

(74) *Attorney, Agent, or Firm* — Crowell & Moring LLP

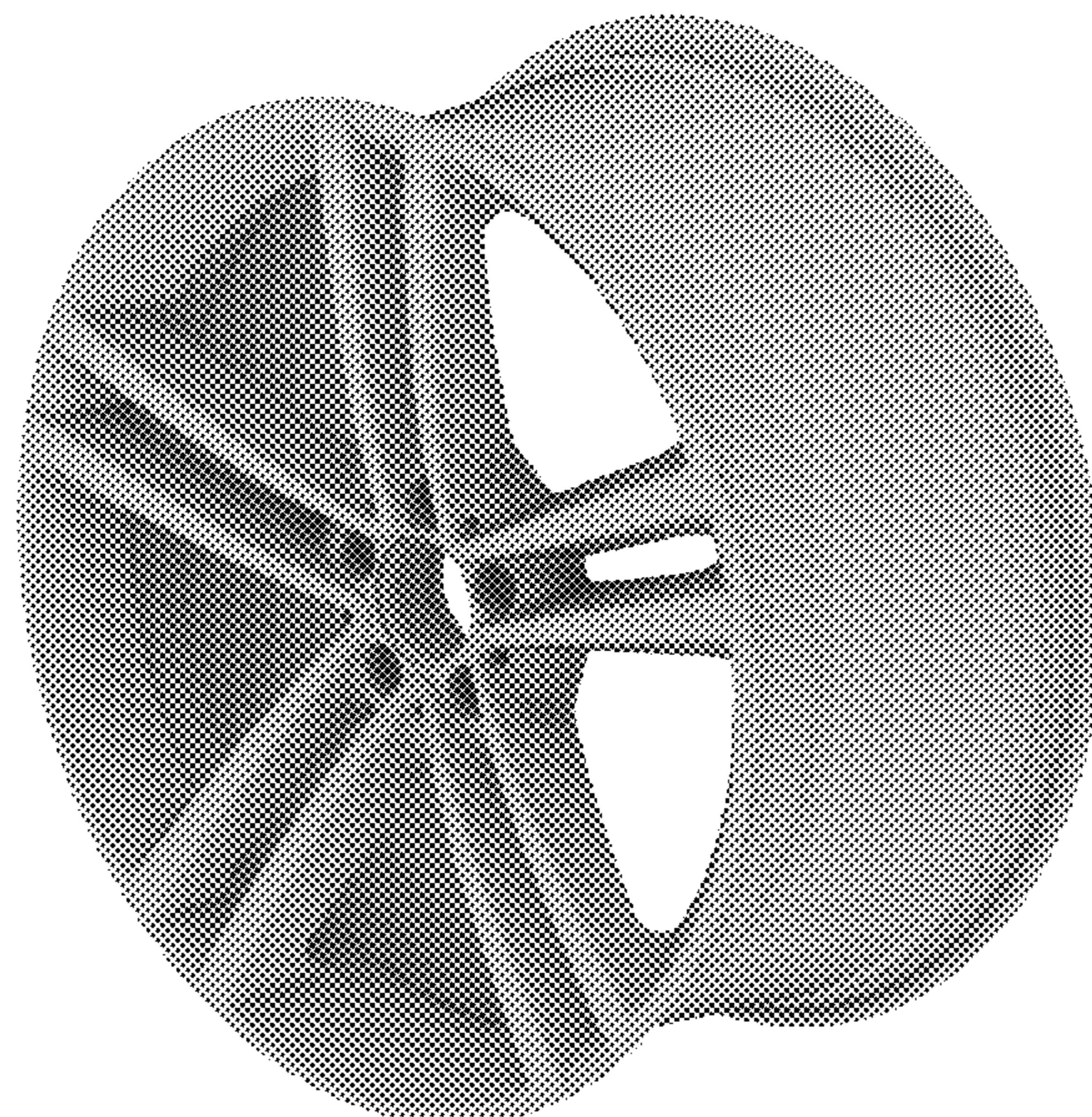
(57) **CLAIM**

The ornamental design for a vehicle wheel, as shown and described.

DESCRIPTION

FIG. 1 is a front elevation view of a vehicle wheel showing our new design;
 FIG. 2 is a front perspective view thereof;
 FIG. 3 is a left side elevation view thereof;
 FIG. 4 is a right side elevation view thereof;
 FIG. 5 is a rear elevation view thereof;
 FIG. 6 is a top plan view thereof; and,
 FIG. 7 is a bottom plan view thereof.

1 Claim, 7 Drawing Sheets



(56)

References Cited

U.S. PATENT DOCUMENTS

10,046,598 B2 * 8/2018 Taylor B60B 25/18
D883,174 S * 5/2020 Sempek D12/211

* cited by examiner



Fig. 1

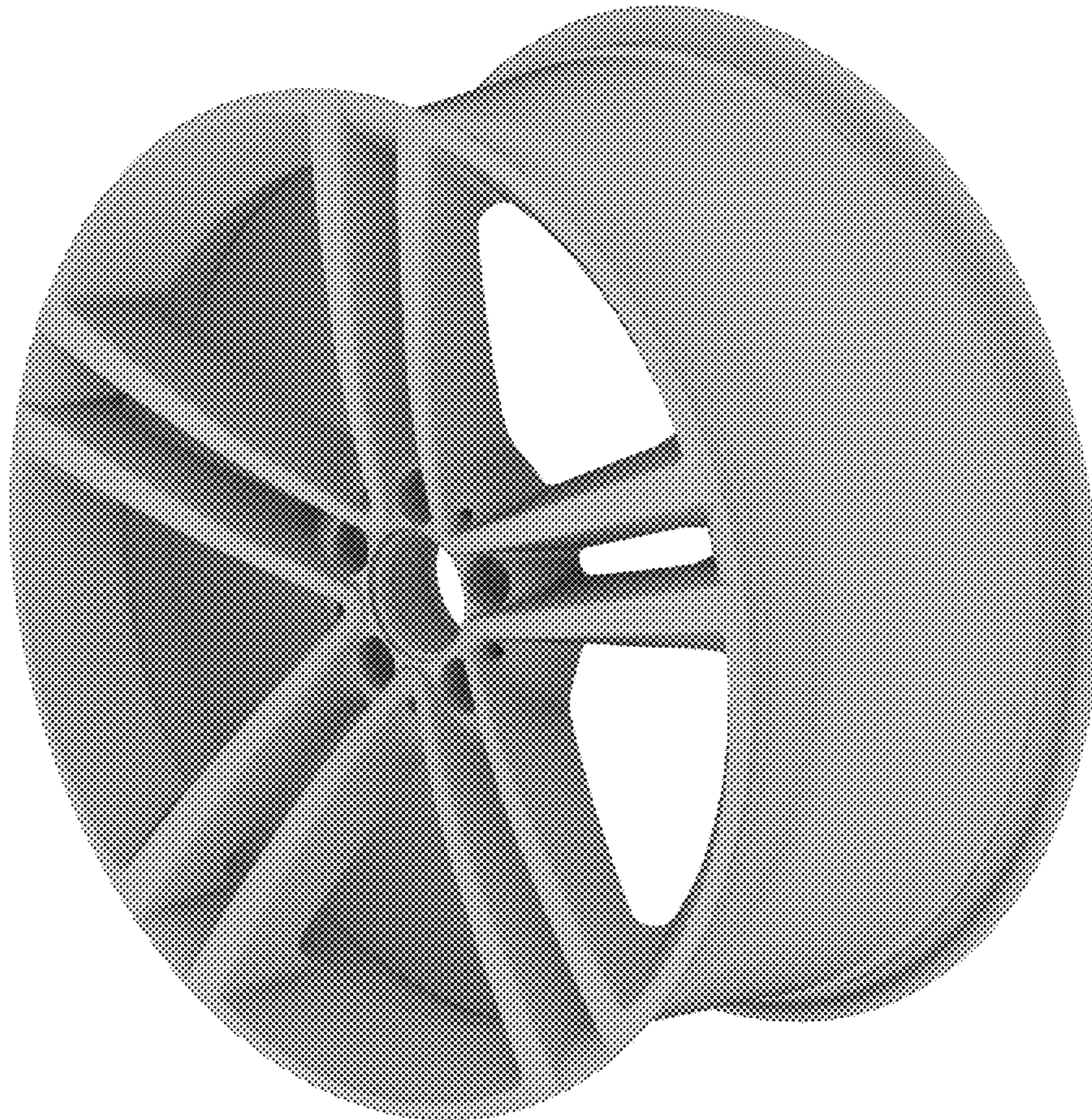


Fig. 2

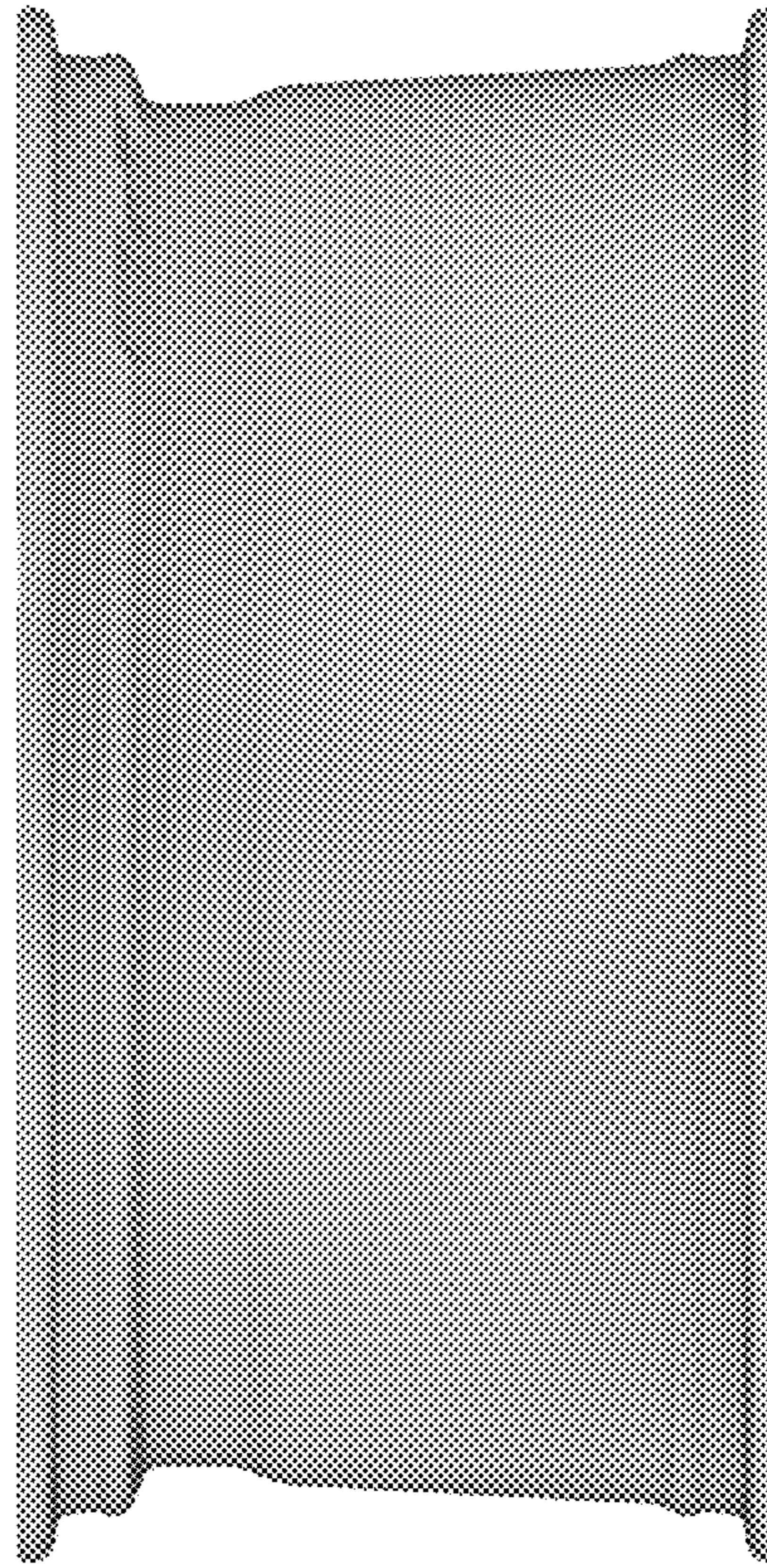


Fig. 3

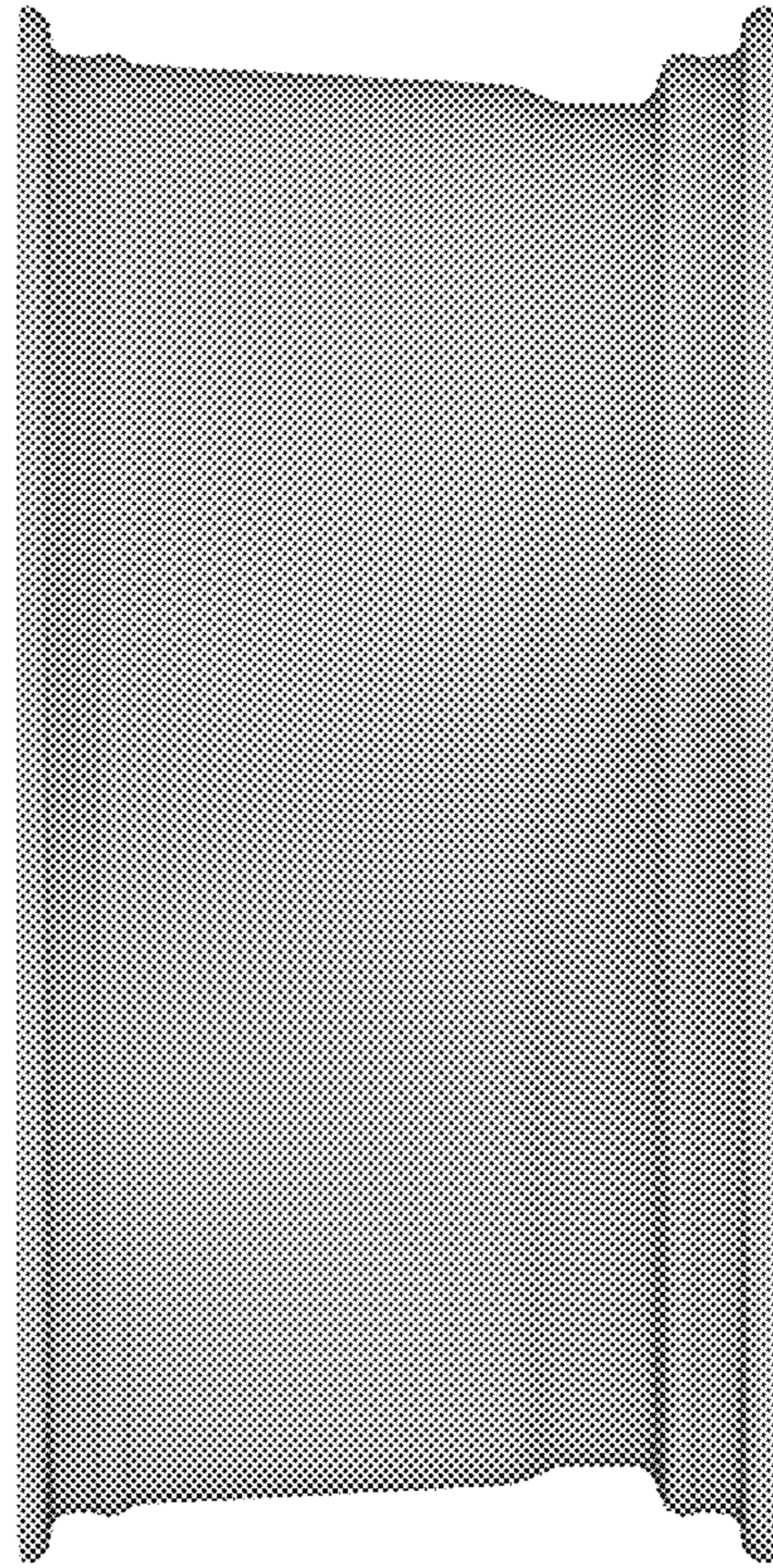


Fig. 4

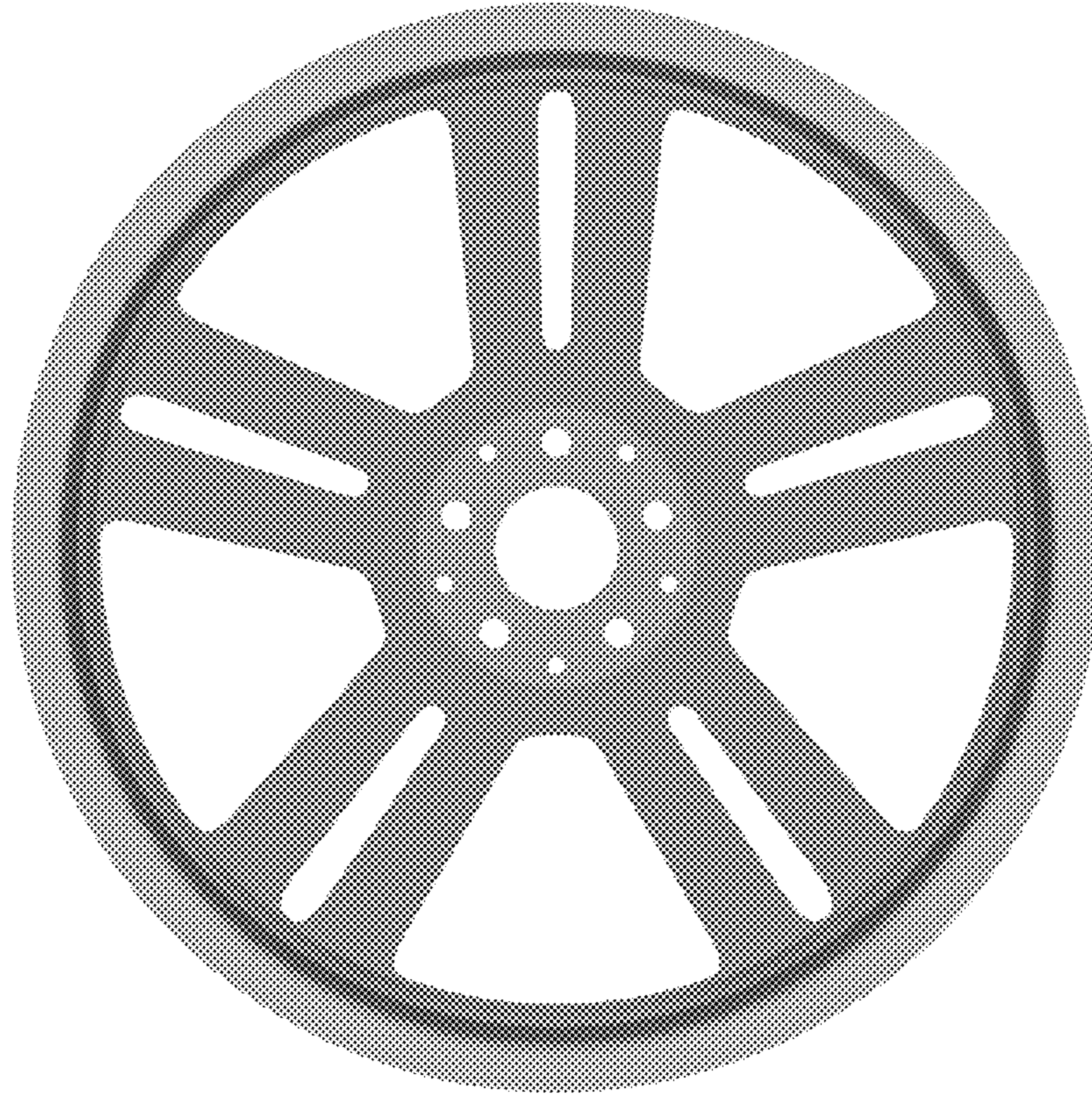


Fig. 5

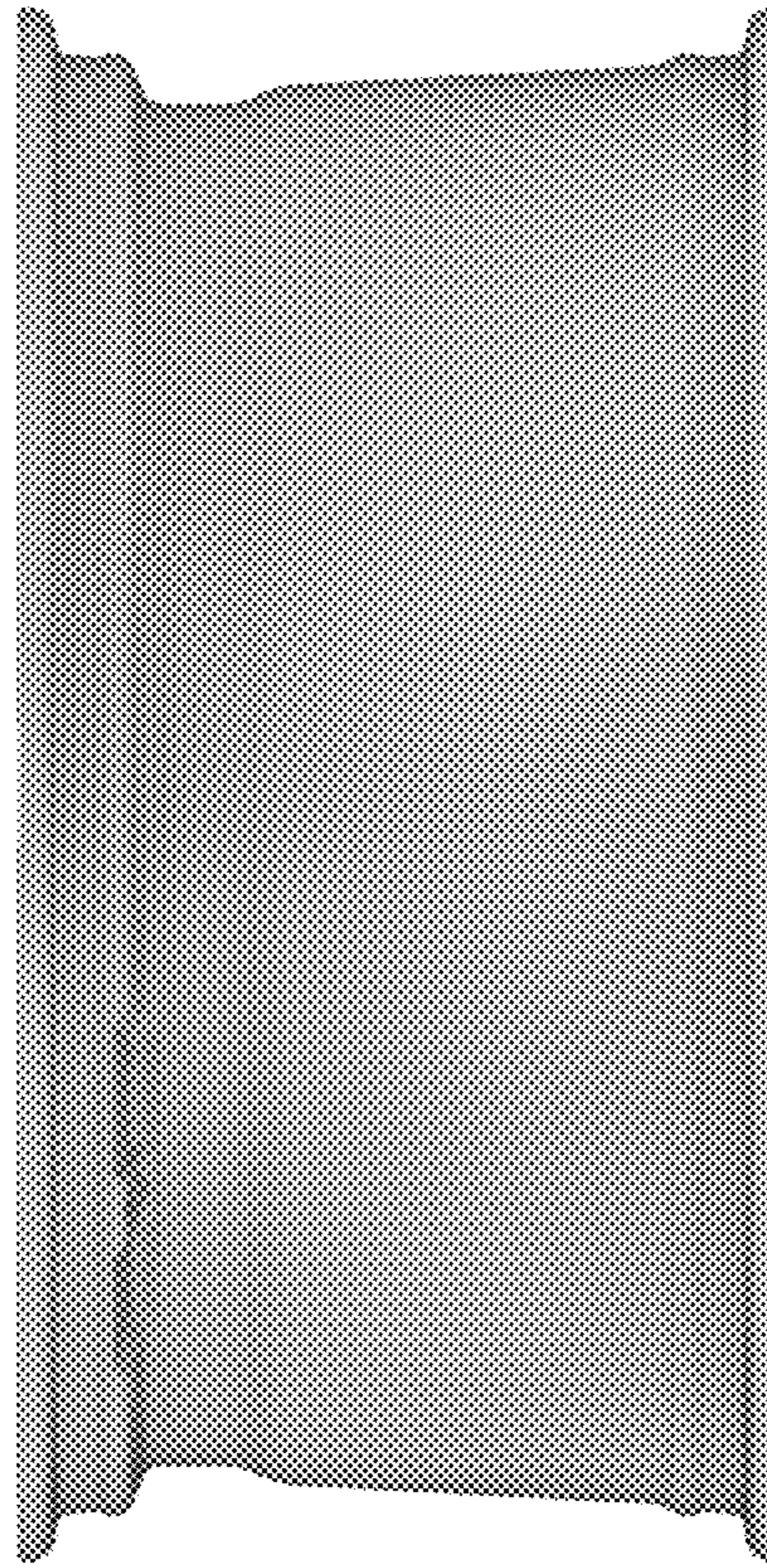


Fig. 6

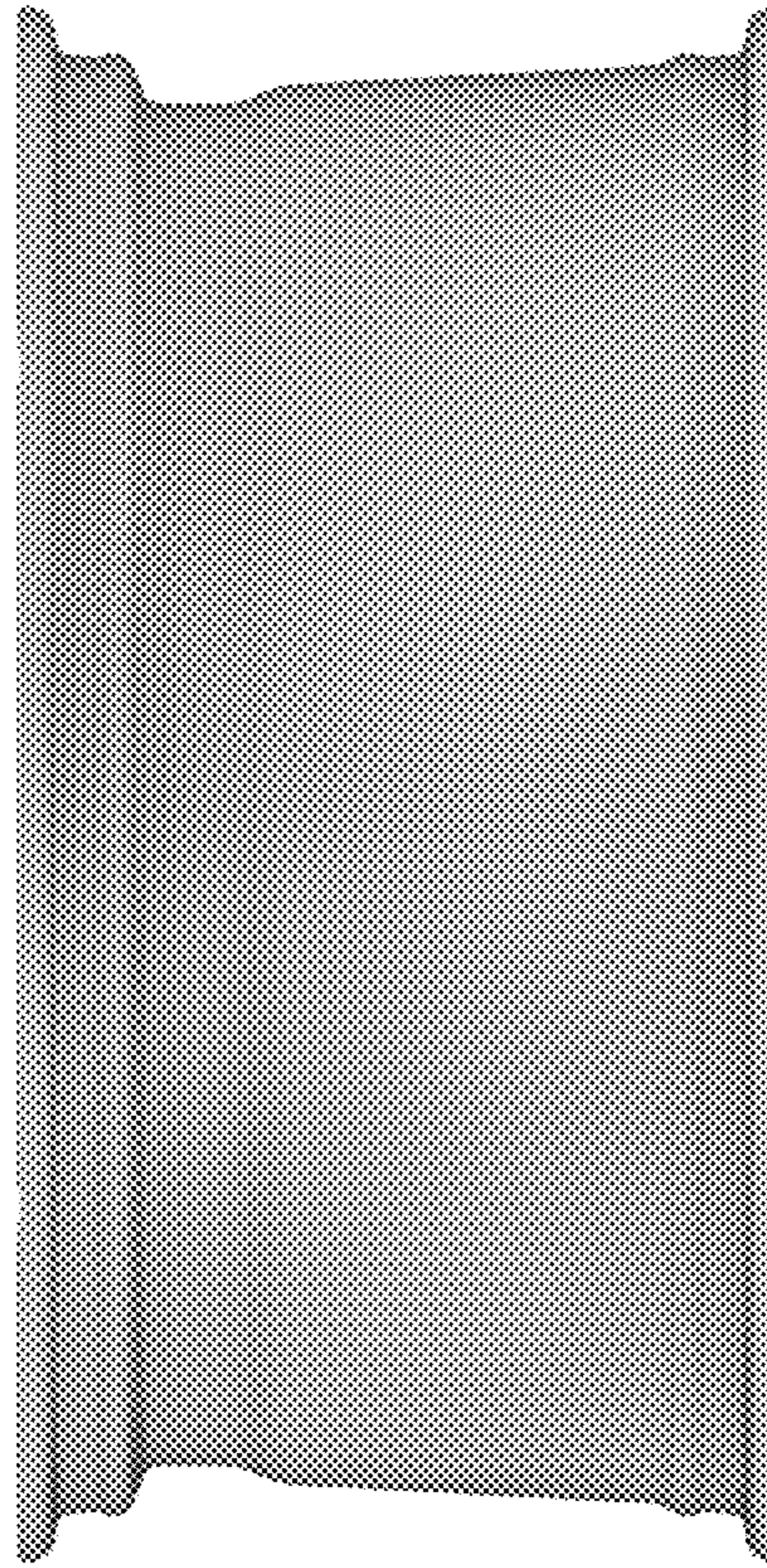


Fig. 7