



US00D895512S

(12) **United States Design Patent**  
**Patel**

(10) **Patent No.:** **US D895,512 S**

(45) **Date of Patent:** **\*\* Sep. 8, 2020**

(54) **WHEEL**

(71) Applicant: **Jaguar Land Rover Limited**, Whitley, Coventry (GB)

(72) Inventor: **Paven Patel**, Whitley Coventry (GB)

(73) Assignee: **Jaguar Land Rover Limited**, Whitley, Coventry (GB)

(\*\*) Term: **15 Years**

(21) Appl. No.: **29/687,363**

(22) Filed: **Apr. 12, 2019**

(30) **Foreign Application Priority Data**

Oct. 25, 2018 (EM) ..... 005808441

(51) **LOC (12) Cl.** ..... **12-16**

(52) **U.S. Cl.**  
USPC ..... **D12/209**

(58) **Field of Classification Search**

USPC ..... D12/204-213; D21/563

CPC .... B60B 7/00; B60B 7/02; B60B 7/04; B60B 7/01; B60B 7/06; B60B 3/02; B60B 3/04; B60B 3/06; B60B 3/10; B60B 1/00; B60B 1/08; B60B 1/10; B60B 1/12

See application file for complete search history.

(56) **References Cited**

**U.S. PATENT DOCUMENTS**

D491,124 S \* 6/2004 Rice ..... D12/209  
D512,007 S \* 11/2005 Sze ..... D12/209

D560,585 S \* 1/2008 Blasi ..... D12/209  
D593,018 S \* 5/2009 Juergens ..... D12/209  
D617,712 S \* 6/2010 Juergens ..... D12/209  
D734,701 S \* 7/2015 Mielke ..... D12/209  
D757,624 S \* 5/2016 Hammoud ..... D12/209  
D760,139 S \* 6/2016 Dionisopoulos ..... D12/209  
D782,383 S \* 3/2017 Owens ..... D12/209  
D803,135 S \* 11/2017 Bucher ..... D12/209  
D849,644 S \* 5/2019 Chan ..... D12/209  
D858,408 S \* 9/2019 Kikuchi ..... D12/209  
D872,672 S \* 1/2020 Grewer ..... D12/209  
D879,698 S \* 3/2020 Chan ..... D12/209

\* cited by examiner

*Primary Examiner* — Stacia A Cadmus

(74) *Attorney, Agent, or Firm* — Wood Herron & Evans LLP

(57) **CLAIM**

The ornamental design for a wheel, as shown and described.

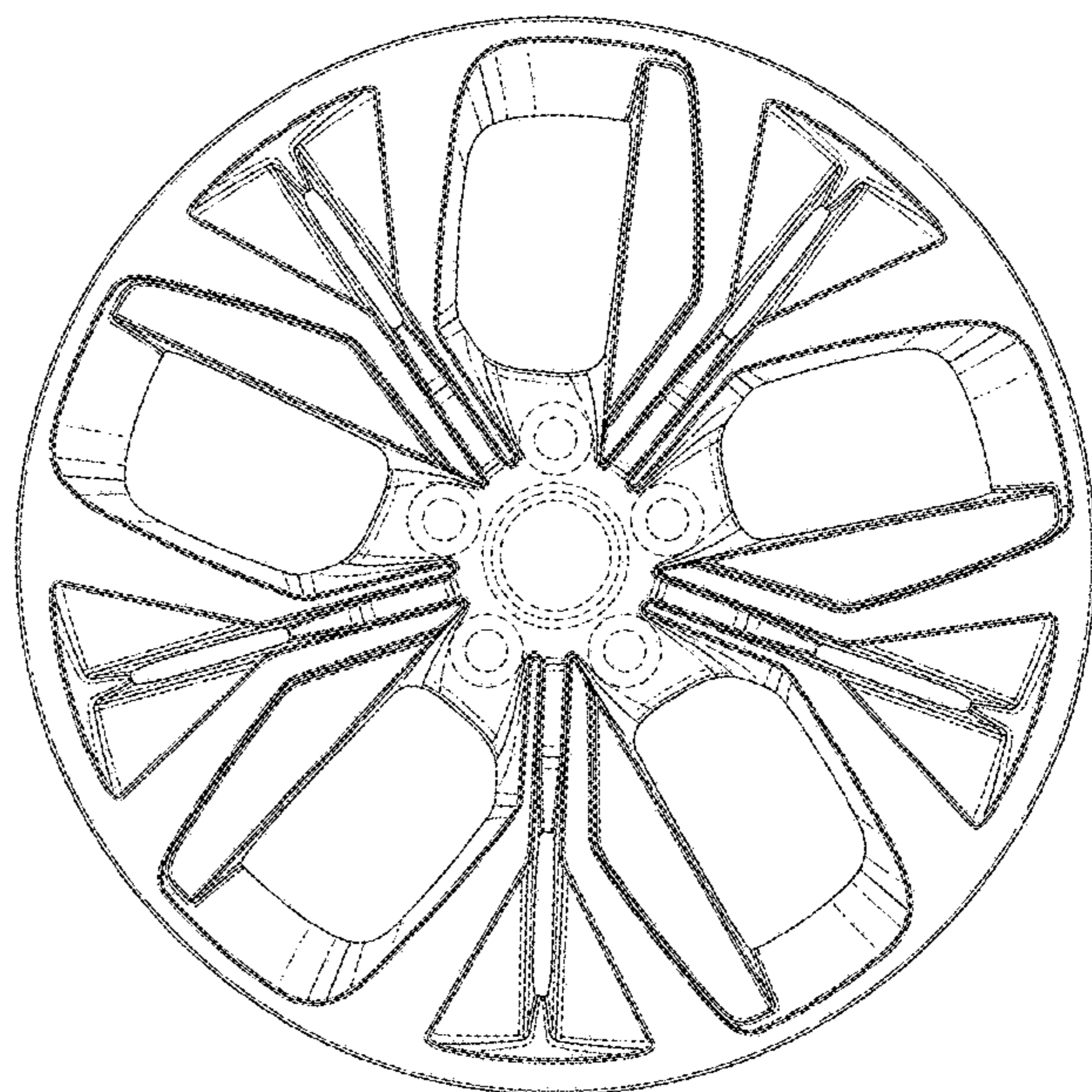
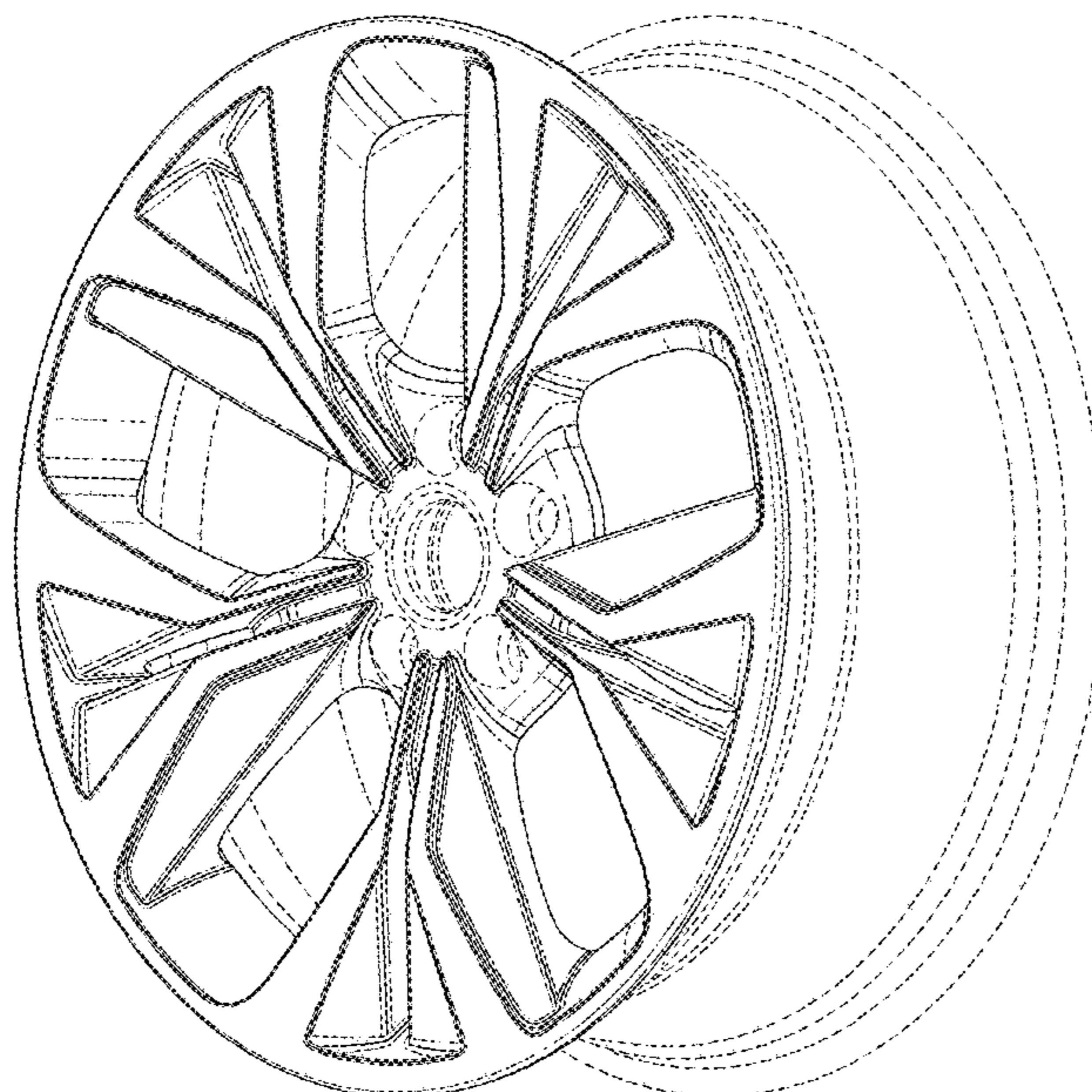
**DESCRIPTION**

FIG. 1 is a front right perspective view of a wheel according to the present invention.

FIG. 2 is a front view of the wheel shown in FIG. 1; and, FIG. 3 is a left side view thereof, the right side view being a mirror image thereof.

The broken lines form no part of the claimed design, but are instead included to show environmental structure.

**1 Claim, 3 Drawing Sheets**



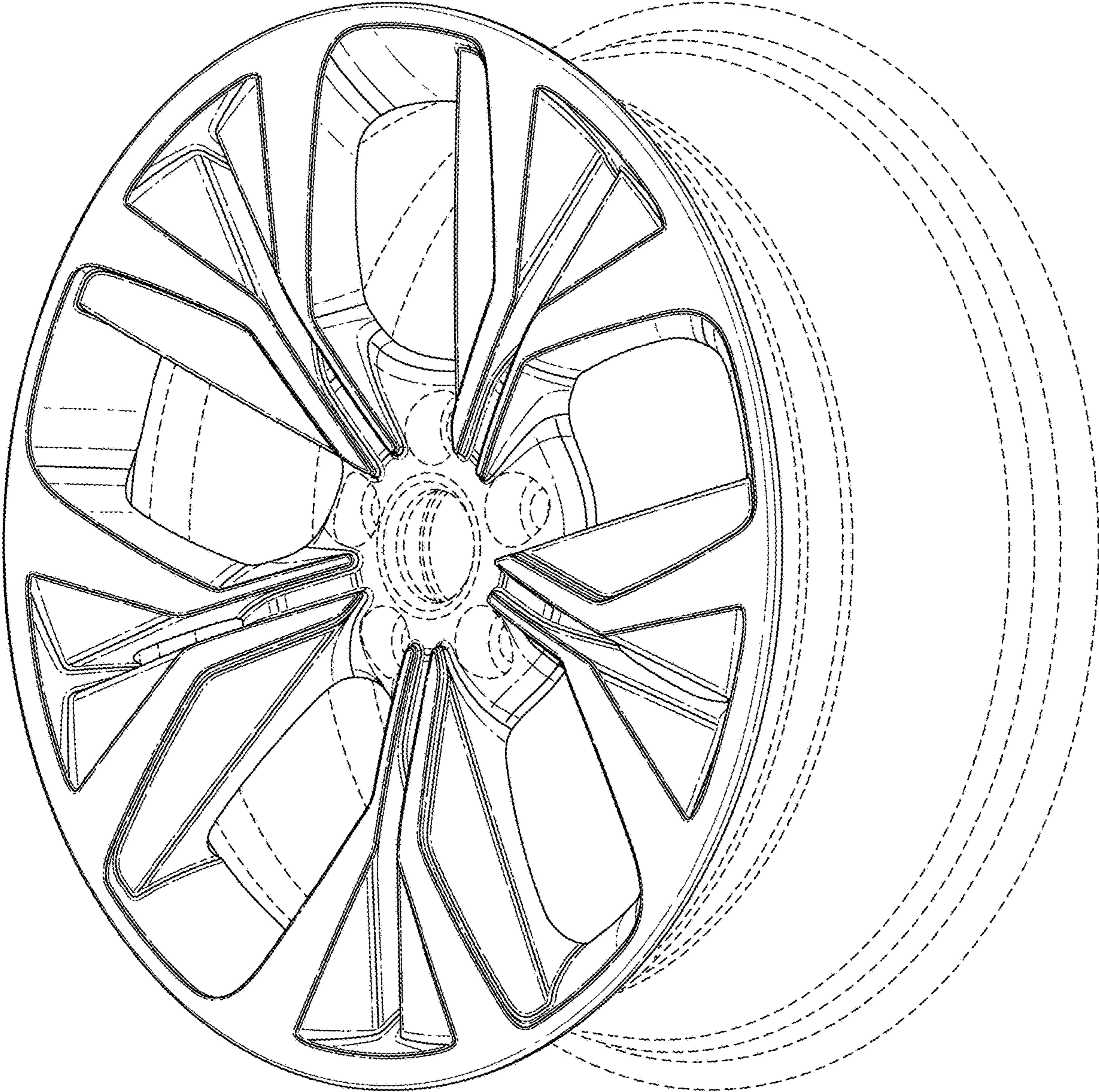


FIG. 1

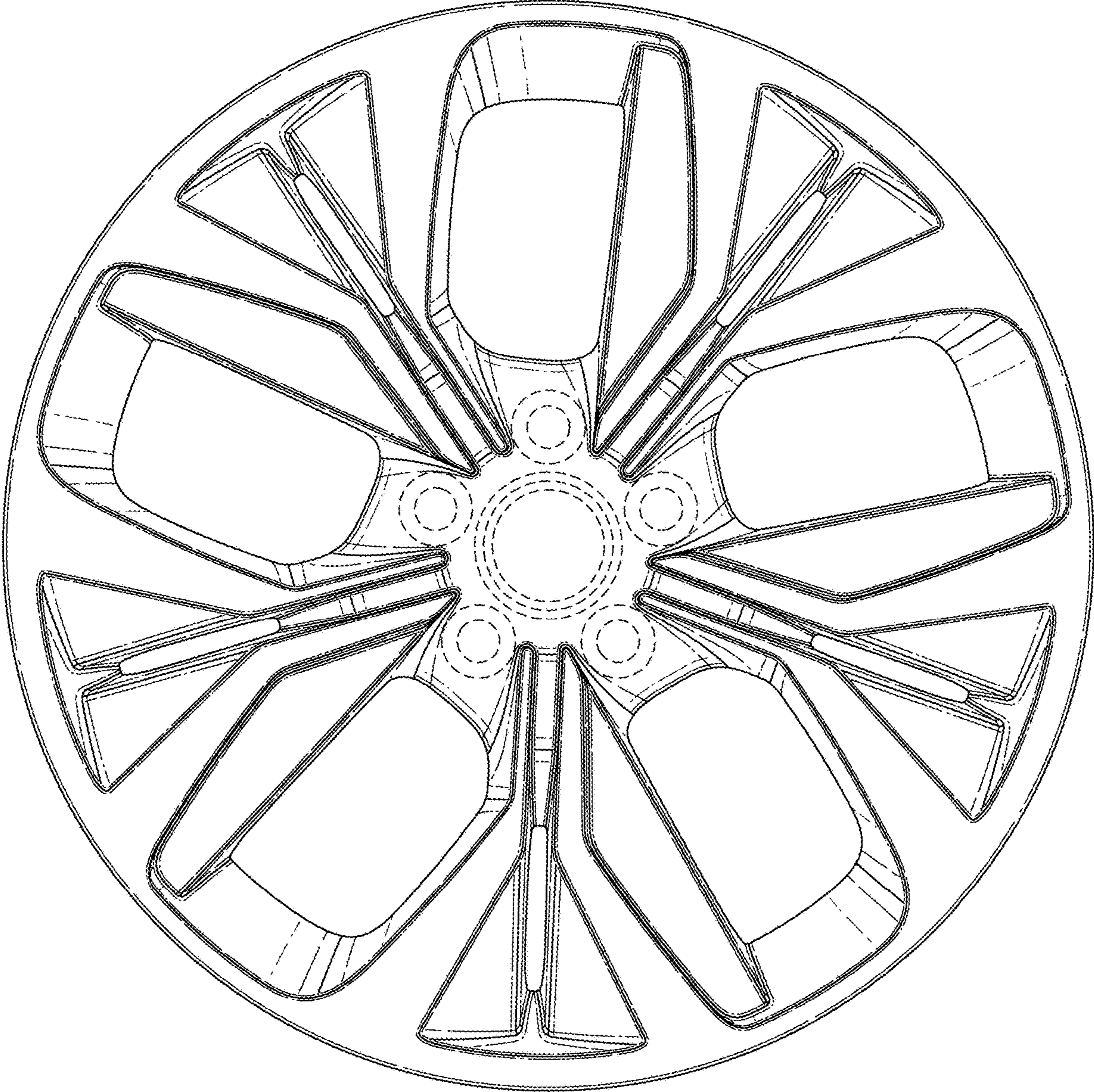


FIG. 2

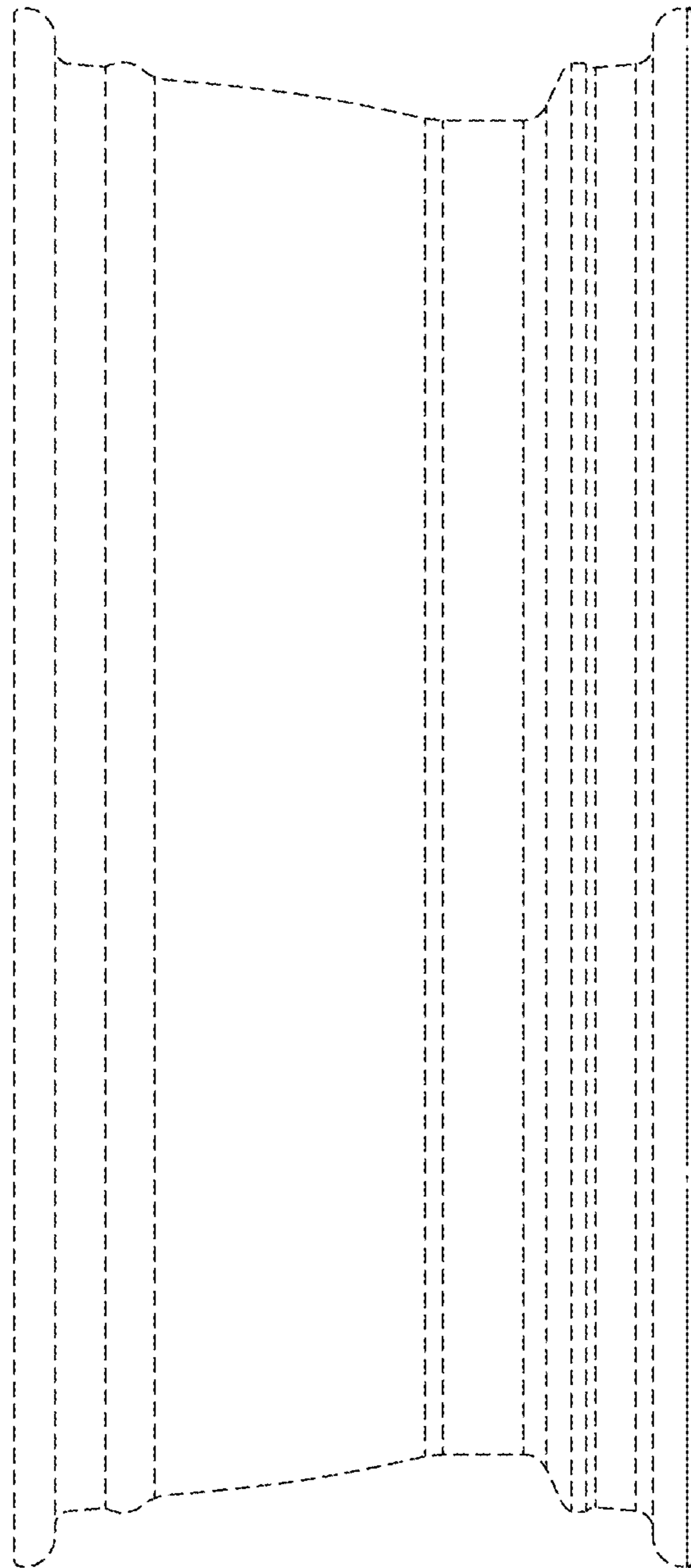


FIG. 3