



US00D895502S

(12) **United States Design Patent**
Marovic

(10) **Patent No.:** **US D895,502 S**

(45) **Date of Patent:** **** Sep. 8, 2020**

(54) **DECORATIVE EXHAUST SYSTEM CAP**

(71) Applicant: **Gorazd Marovic**, Ptuj (SI)

(72) Inventor: **Gorazd Marovic**, Ptuj (SI)

(**) Term: **15 Years**

(21) Appl. No.: **29/660,873**

(22) Filed: **Aug. 23, 2018**

(30) **Foreign Application Priority Data**

Jul. 15, 2018 (SI) 0055035210001

(51) **LOC (12) Cl.** **12-16**

(52) **U.S. Cl.**
USPC **D12/194**

(58) **Field of Classification Search**
USPC D12/194; D15/5
CPC F01N 2590/04
See application file for complete search history.

(56) **References Cited**

U.S. PATENT DOCUMENTS

D550,134 S *	9/2007	Akrapovic	D12/194
D573,520 S *	7/2008	Kouchi	D12/194
D658,099 S *	4/2012	Marovič	D12/194
D804,381 S *	12/2017	Akrapovic	D12/194
D804,383 S *	12/2017	Akrapovic	D12/194
D833,936 S *	11/2018	Akrapovic	D12/194
D836,514 S *	12/2018	Akrapovic	D12/194

D837,119 S *	1/2019	Akrapovic	D12/194
D840,887 S *	2/2019	Akrapovic	D12/194
D854,476 S *	7/2019	Akrapovic	D12/194
D864,818 S *	10/2019	Akrapovic	D12/194

* cited by examiner

Primary Examiner — Michael A. Pratt

(74) *Attorney, Agent, or Firm* — Robert G. Lev

(57) **CLAIM**

I claim the ornamental design for an decorative exhaust system cap, as shown and described.

DESCRIPTION

FIG. 1 is a rear view of the decorative exhaust system cap according to Applicant's new design.

FIG. 2 is a rear perspective view of the decorative exhaust system cap of Applicant's new design.

FIG. 3 is a side view of the decorative exhaust system cap of Applicant's new design.

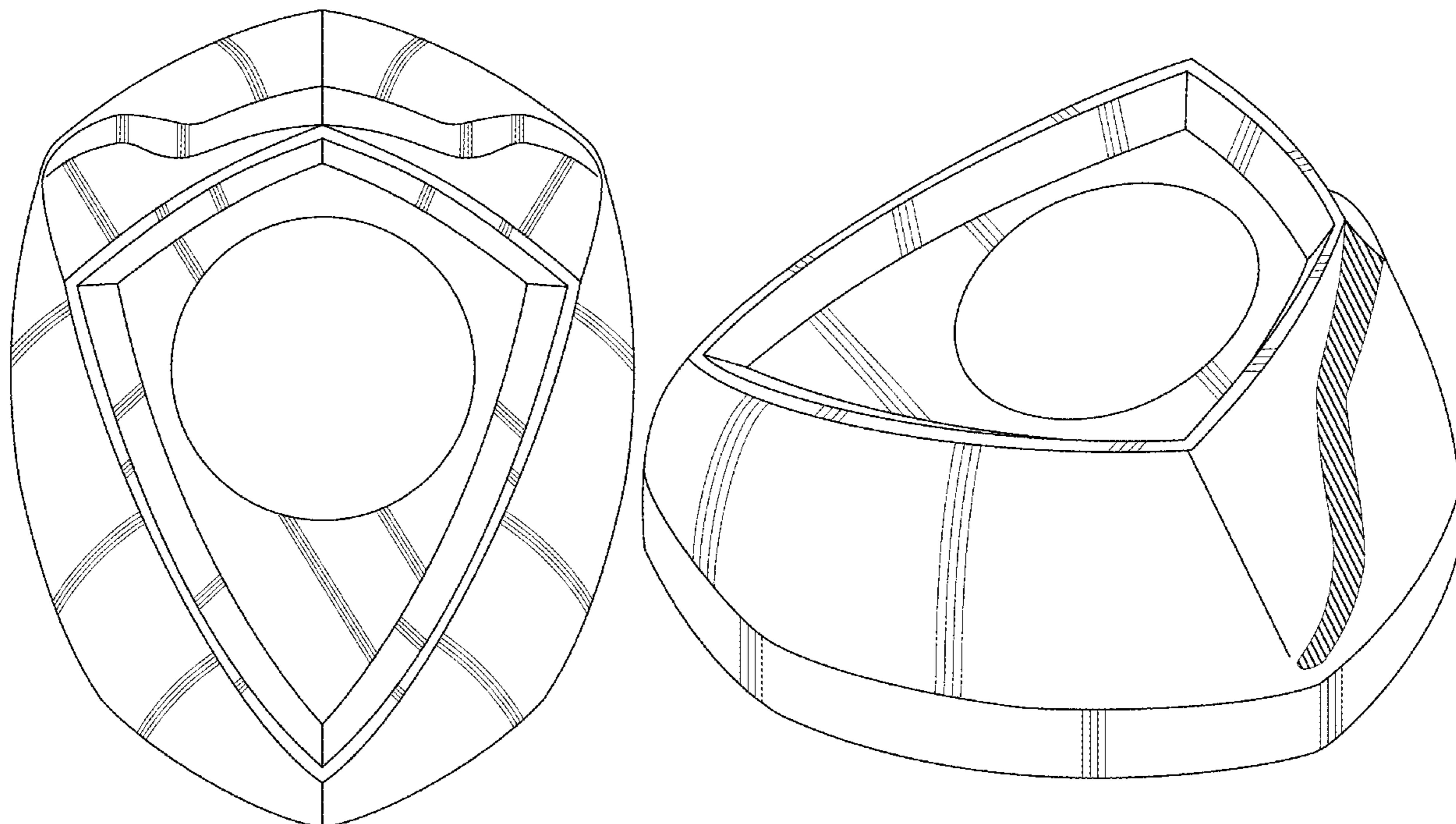
FIG. 4 is a top perspective view of the decorative exhaust system cap of Applicant's new design.

FIG. 5 is a top view of the decorative exhaust system cap of Applicant's new design; and,

FIG. 6 is a rear perspective view of the decorative exhaust system cap of Applicant's the new design, shown attached to a muffler depicted in broken lines.

The broken lines depicting the external environment in which the decorative exhaust system cap is mounted, (FIG. 6), represent unclaimed structure.

1 Claim, 6 Drawing Sheets



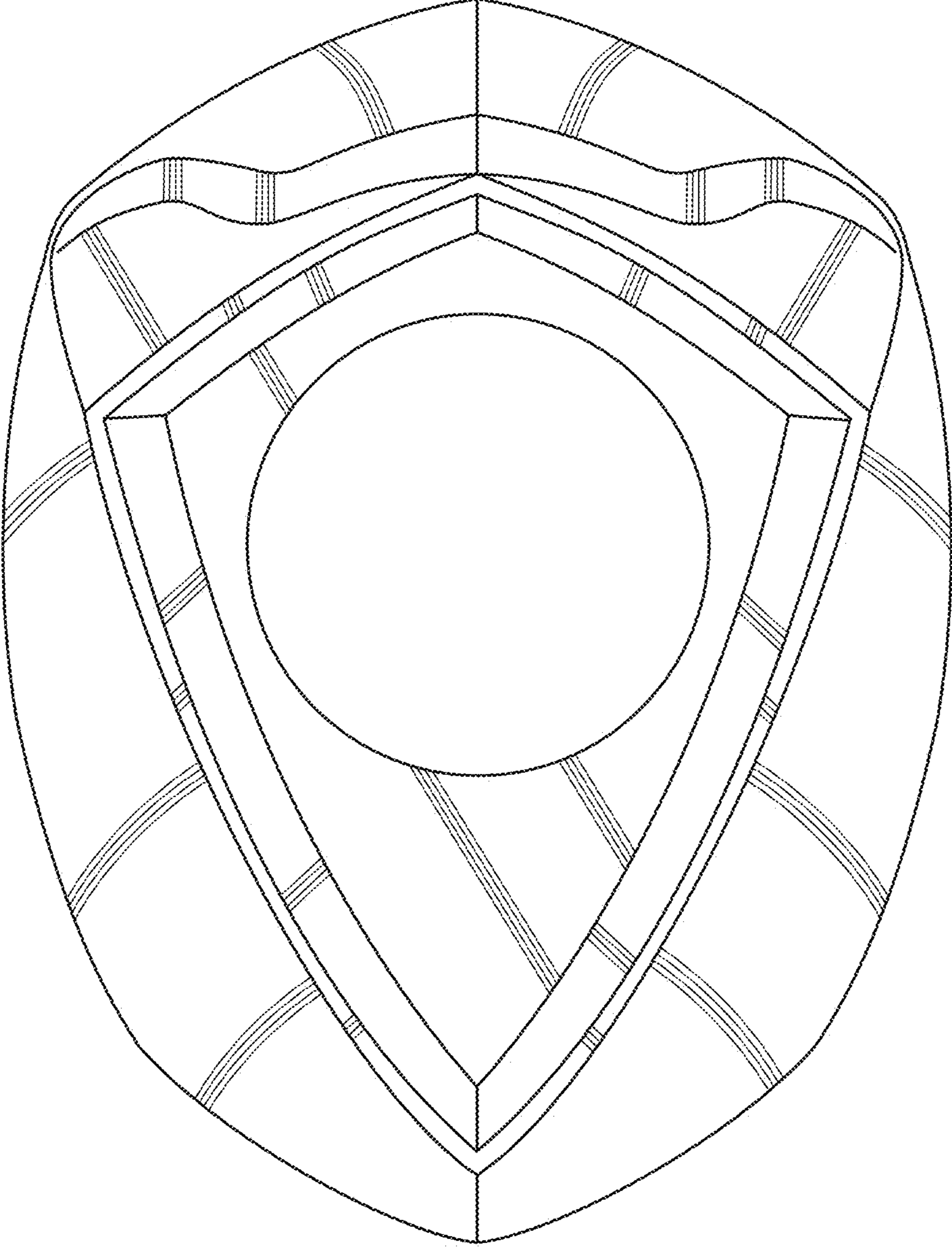


FIG. 1

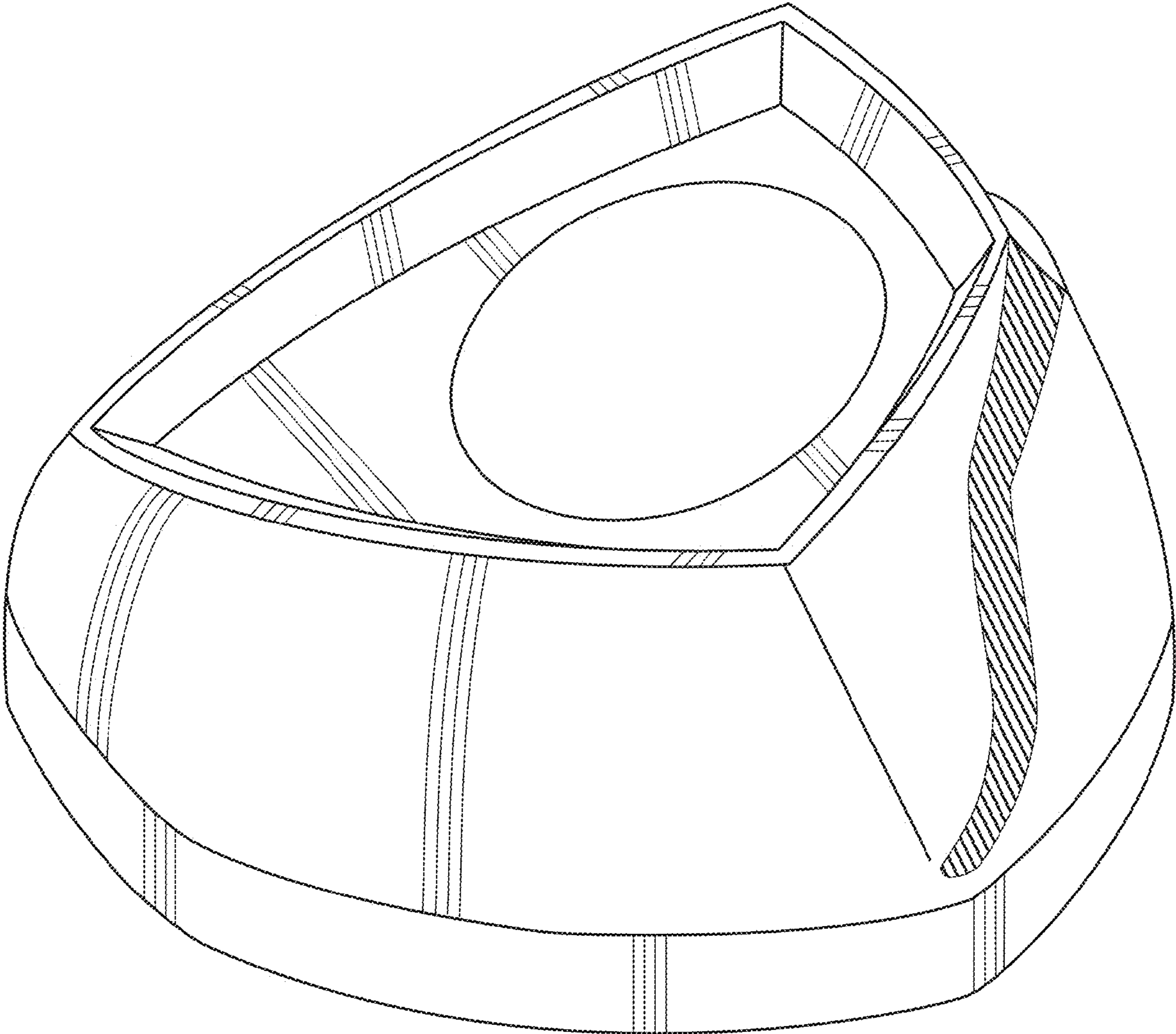


FIG. 2

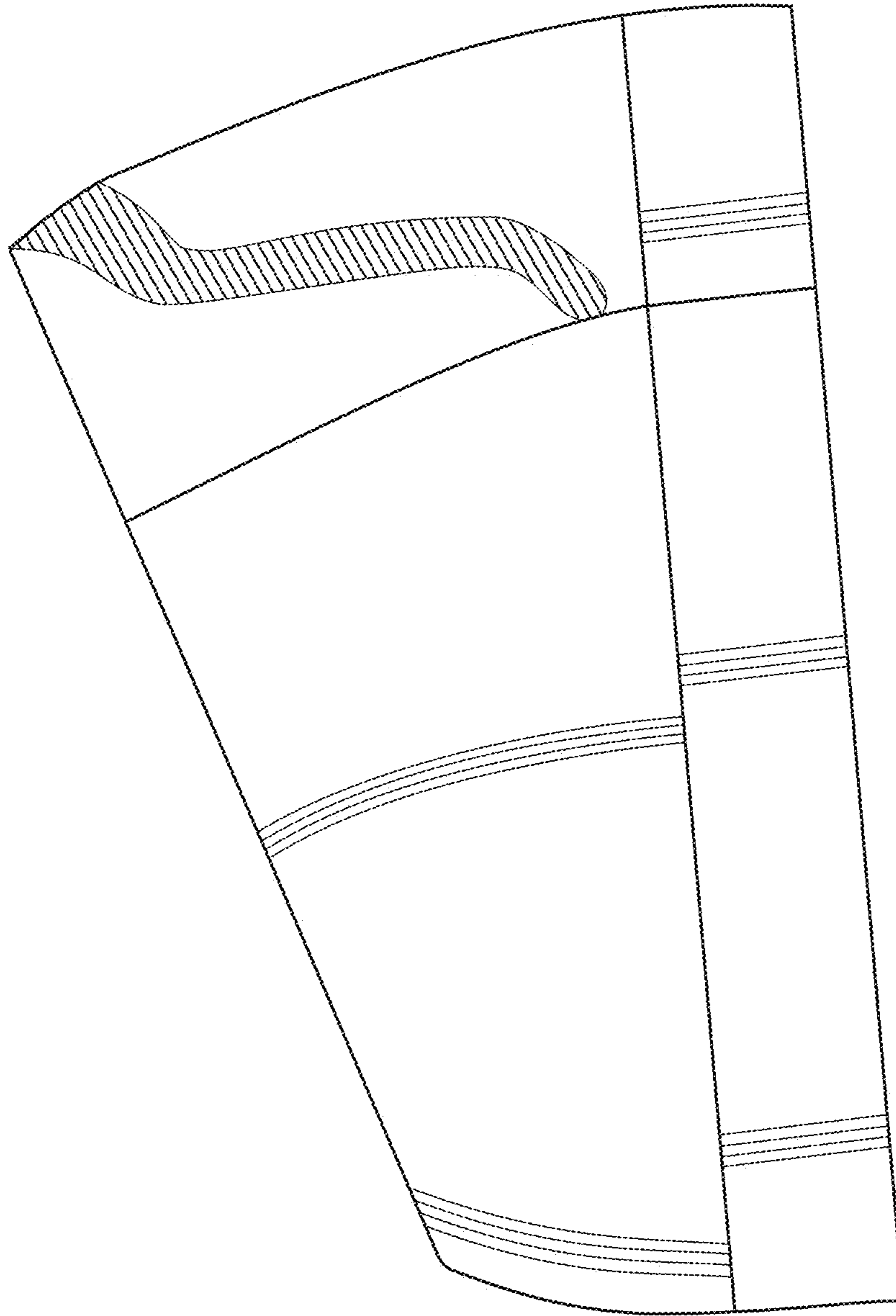


FIG. 3

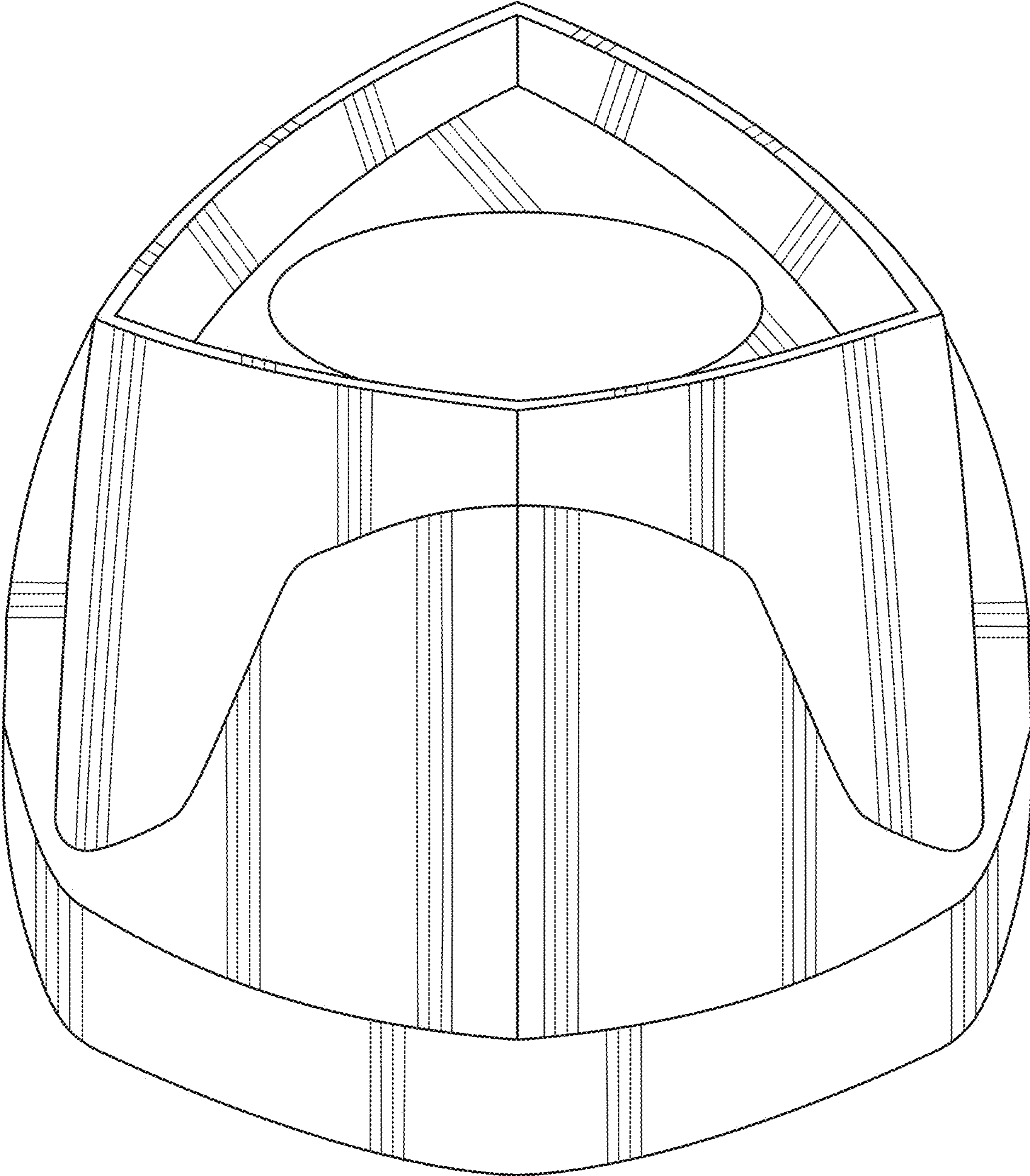


FIG. 4

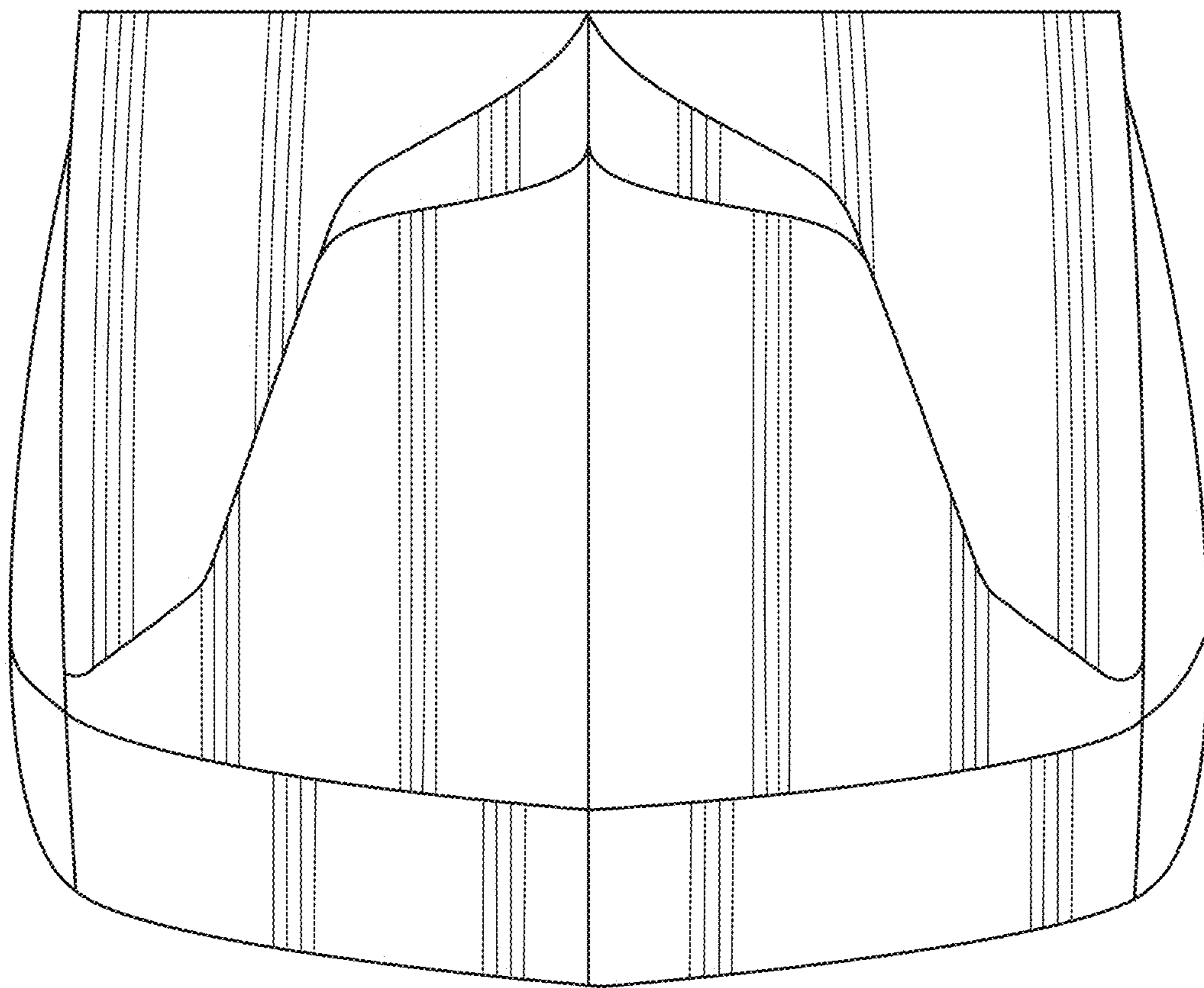


FIG. 5

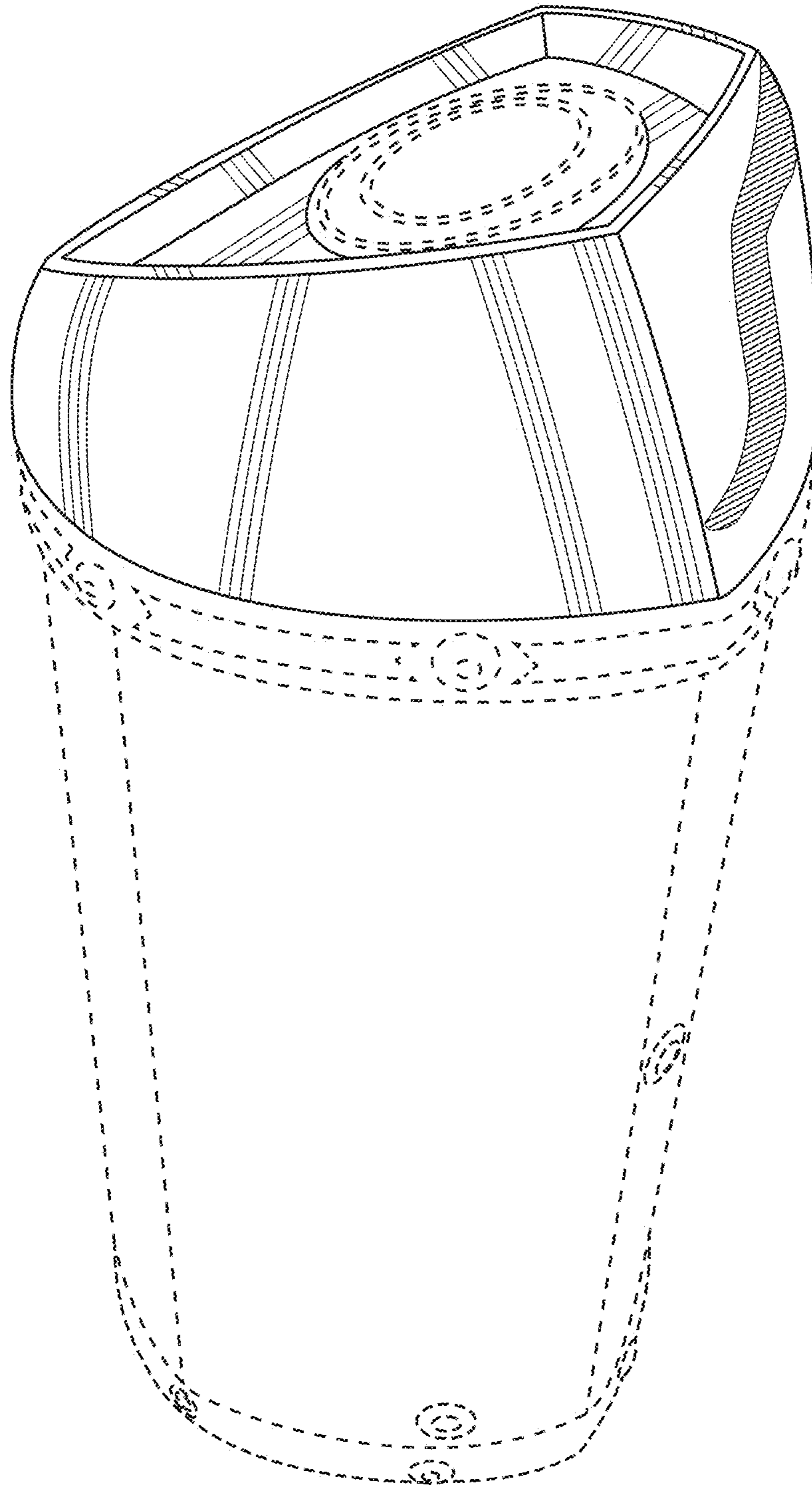


FIG. 6