



US00D895501S

(12) **United States Design Patent** (10) **Patent No.:** **US D895,501 S**
Baty (45) **Date of Patent:** **** Sep. 8, 2020**

(54) **LICENSE PLATE FRAME**

(57) **CLAIM**

(71) Applicant: **Gregory Lee Baty**, Foothill Ranch, CA (US)

I claim, the ornamental design for a license plate frame, as shown and described.

(72) Inventor: **Gregory Lee Baty**, Foothill Ranch, CA (US)

(**) Term: **15 Years**

(21) Appl. No.: **29/604,496**

(22) Filed: **May 18, 2017**

(51) **LOC (12) Cl.** **12-16**

(52) **U.S. Cl.**
USPC **D12/193**

(58) **Field of Classification Search**
USPC D12/193; D6/300, 301, 302, 310, 311, D6/312, 313, 314; D20/13 B60R 13/10; B60R 13/105; B60R 19/24; B60R 19/52
See application file for complete search history.

(56) **References Cited**

U.S. PATENT DOCUMENTS

D377,776	S	*	2/1997	Kheyfets	D12/193
D380,430	S	*	7/1997	Spencer	D12/193
D411,975	S	*	7/1999	Spencer	D12/193
D464,300	S	*	10/2002	Ohm	D12/193
D469,392	S	*	1/2003	Ohm	D12/193
6,526,680	B1	*	3/2003	Yu	B60R 13/10 362/497
D494,519	S	*	8/2004	Huang	D12/193
D494,520	S	*	8/2004	Huang	D12/193
D507,218	S	*	7/2005	Spencer	D12/193
D517,454	S	*	3/2006	Chambers	D12/126
D518,428	S	*	4/2006	Marchese	D12/190
D546,935	S	*	7/2007	Arrowood	D23/393
D564,430	S	*	3/2008	Hu	D12/193
D601,070	S	*	9/2009	Boyce	D12/193
D644,152	S	*	8/2011	Hu	D12/190
D645,386	S	*	9/2011	Hu	D12/193
D689,806	S	*	9/2013	Spencer	D12/193

* cited by examiner

Primary Examiner — Natasha Vujcic

(74) *Attorney, Agent, or Firm* — Jeffrey Roddy

DESCRIPTION

FIG. 1 is a top plan view of a first embodiment of a license plate frame, with claw(s), and scratch mark(s);
 FIG. 2 is a top perspective view thereof;
 FIG. 3 is a front elevational view thereof;
 FIG. 4 is a right side elevational view thereof;
 FIG. 5 is a bottom view thereof; and
 FIG. 6 is a bottom perspective view thereof.
 FIG. 7 is a top plan view of a second embodiment of a license plate frame, with claw(s), and scratch mark(s);
 FIG. 8 is a top perspective view thereof;
 FIG. 9 is a front elevational view thereof;
 FIG. 10 is a right side elevational view thereof;
 FIG. 11 is a bottom view thereof; and
 FIG. 12 is a bottom perspective view thereof.
 FIG. 13 is a top plan view of a third embodiment of a license plate frame, with claw(s), and scratch mark(s);
 FIG. 14 is a top perspective view thereof;
 FIG. 15 is a front elevational view thereof;
 FIG. 16 is a right side elevational view thereof;
 FIG. 17 is a bottom view thereof; and
 FIG. 18 is a bottom perspective view thereof.
 FIG. 19 is a top plan view of a fourth embodiment of a license plate frame, with claw(s), and scratch mark(s);
 FIG. 20 is a top perspective view thereof;
 FIG. 21 is a front elevational view thereof;
 FIG. 22 is a right side elevational view thereof;
 FIG. 23 is a bottom view thereof; and
 FIG. 24 is a bottom perspective view thereof.
 FIG. 25 is a top plan view of a fifth embodiment of a license plate frame, with claw(s), and scratch mark(s);
 FIG. 26 is a top perspective view thereof;
 FIG. 27 is a front elevational view thereof;
 FIG. 28 is a right side elevational view thereof;
 FIG. 29 is a bottom view thereof; and
 FIG. 30 is a bottom perspective view thereof.

(Continued)

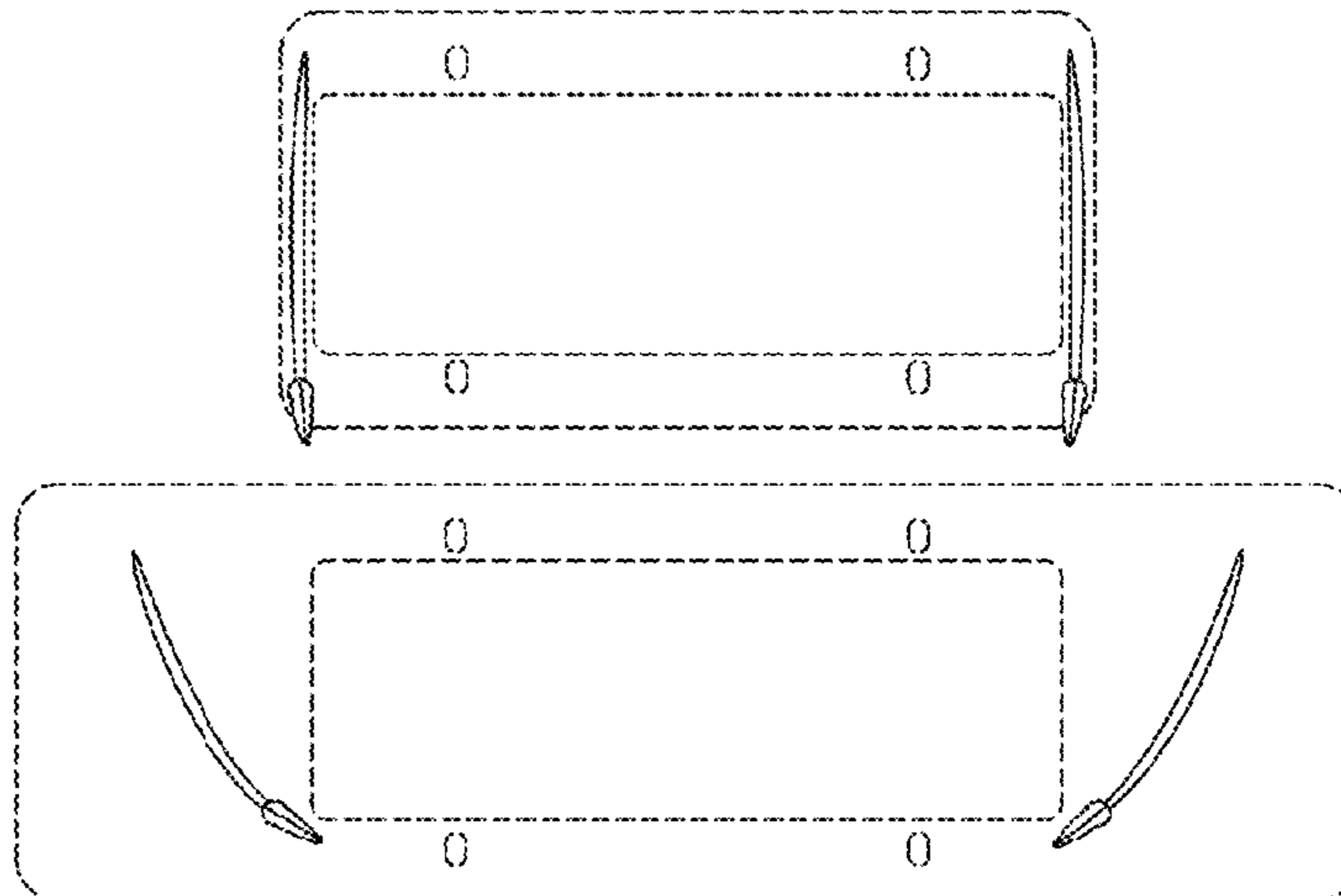


FIG. 31 is a top plan view of a sixth embodiment of a license plate frame, with claw(s), and scratch mark(s);

FIG. 32 is a top perspective view thereof;

FIG. 33 is a front elevational view thereof;

FIG. 34 is a right side elevational view thereof;

FIG. 35 is a bottom view thereof; and

FIG. 36 is a bottom perspective view thereof.

FIG. 37 is a top plan view of a seventh embodiment of a license plate frame, with claw(s), and scratch mark(s);

FIG. 38 is a top perspective view thereof;

FIG. 39 is a front elevational view thereof;

FIG. 40 is a right side elevational view thereof;

FIG. 41 is a bottom view thereof; and

FIG. 42 is a bottom perspective view thereof.

FIG. 43 is a top plan view of a eighth embodiment of a license plate frame, with claw(s), and scratch mark(s);

FIG. 44 is a top perspective view thereof;

FIG. 45 is a front elevational view thereof;

FIG. 46 is a right side elevational view thereof;

FIG. 47 is a bottom view thereof; and,

FIG. 48 is a bottom perspective view thereof.

The broken lines in the drawings illustrate portions of the license plate frame which forms no part of the claimed design.

1 Claim, 8 Drawing Sheets

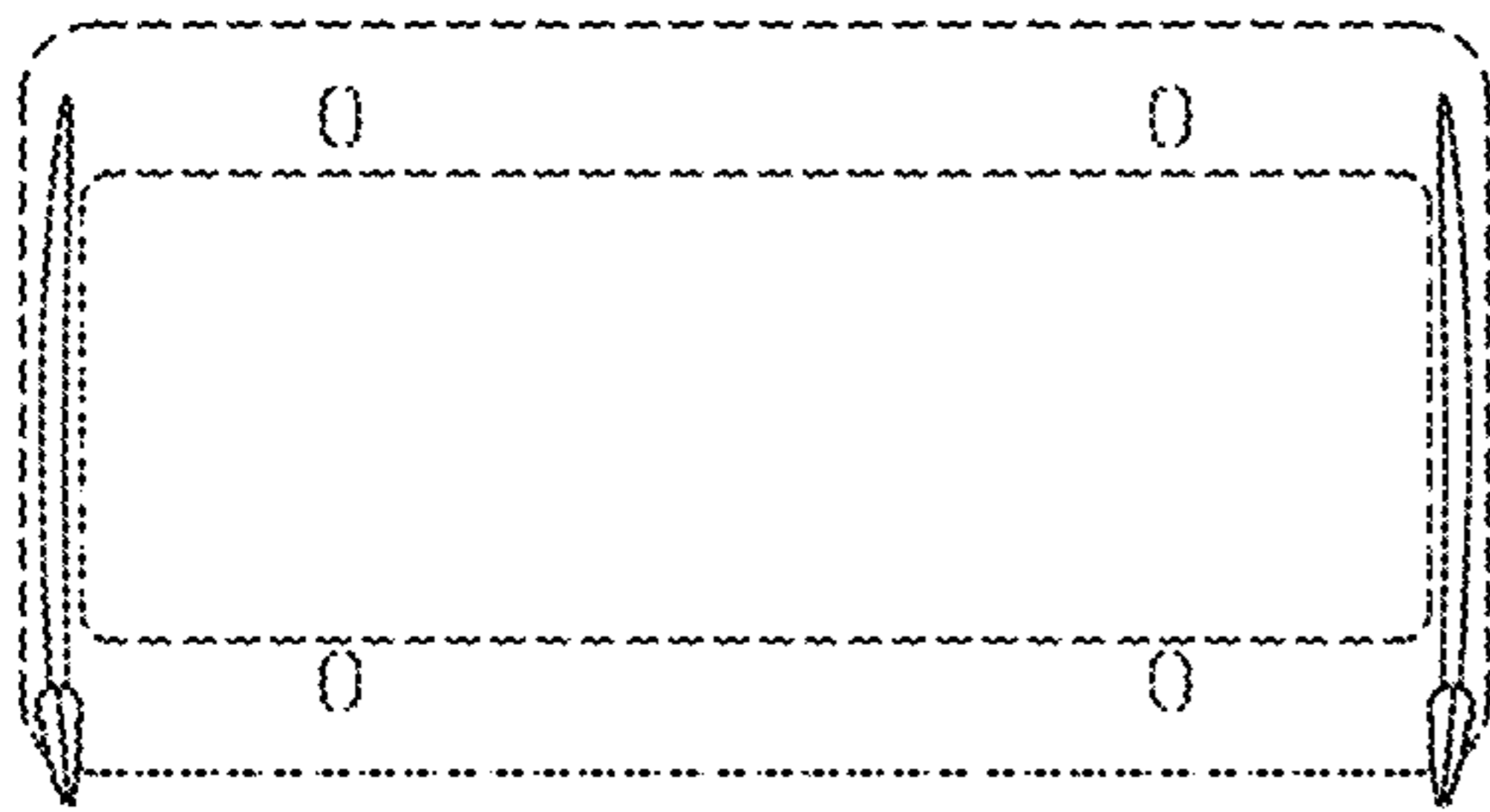


Fig. 1

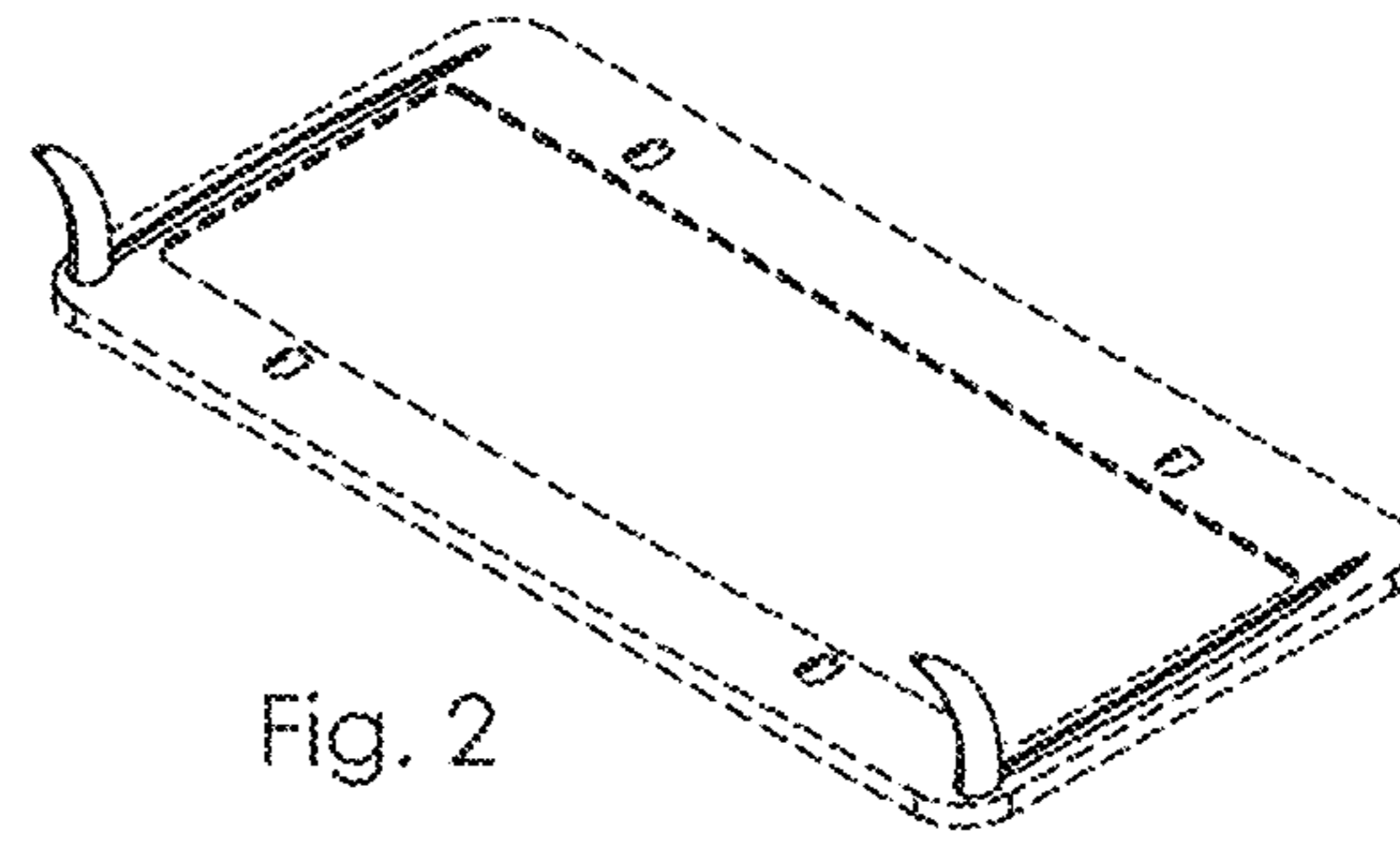


Fig. 2

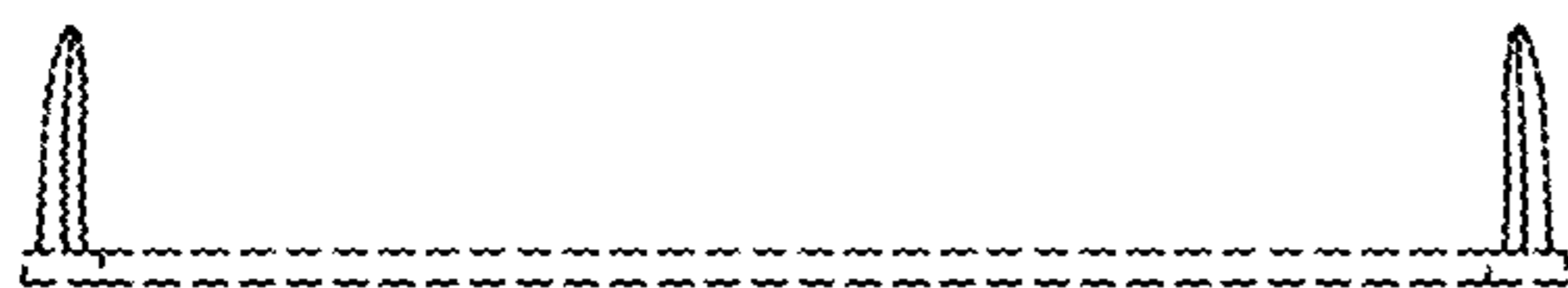


Fig. 3

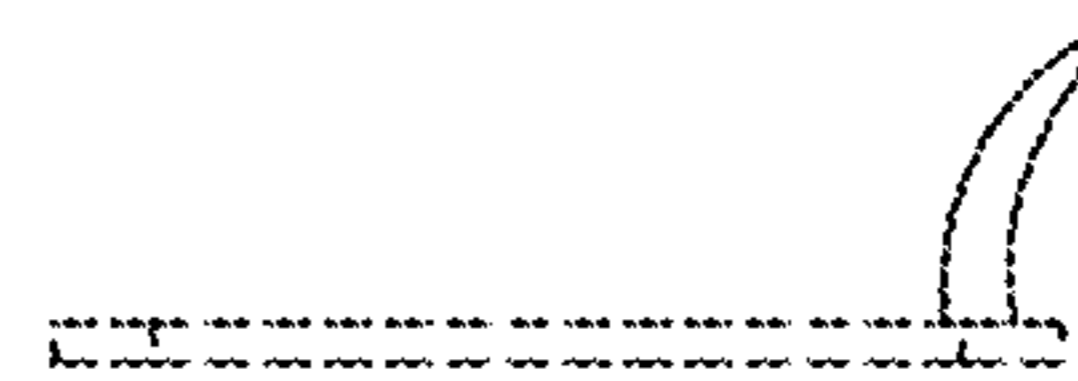


Fig. 4

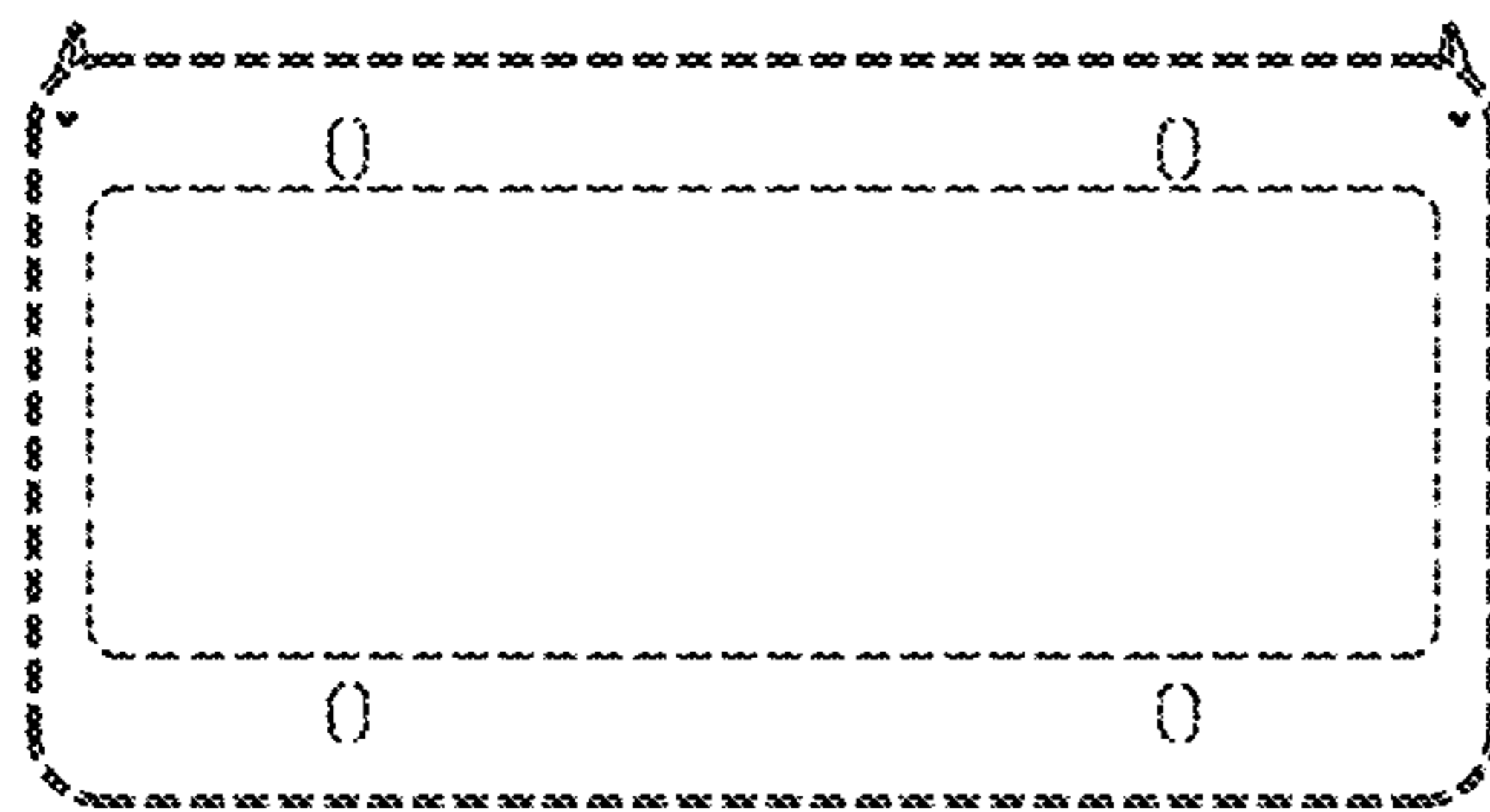


Fig. 5

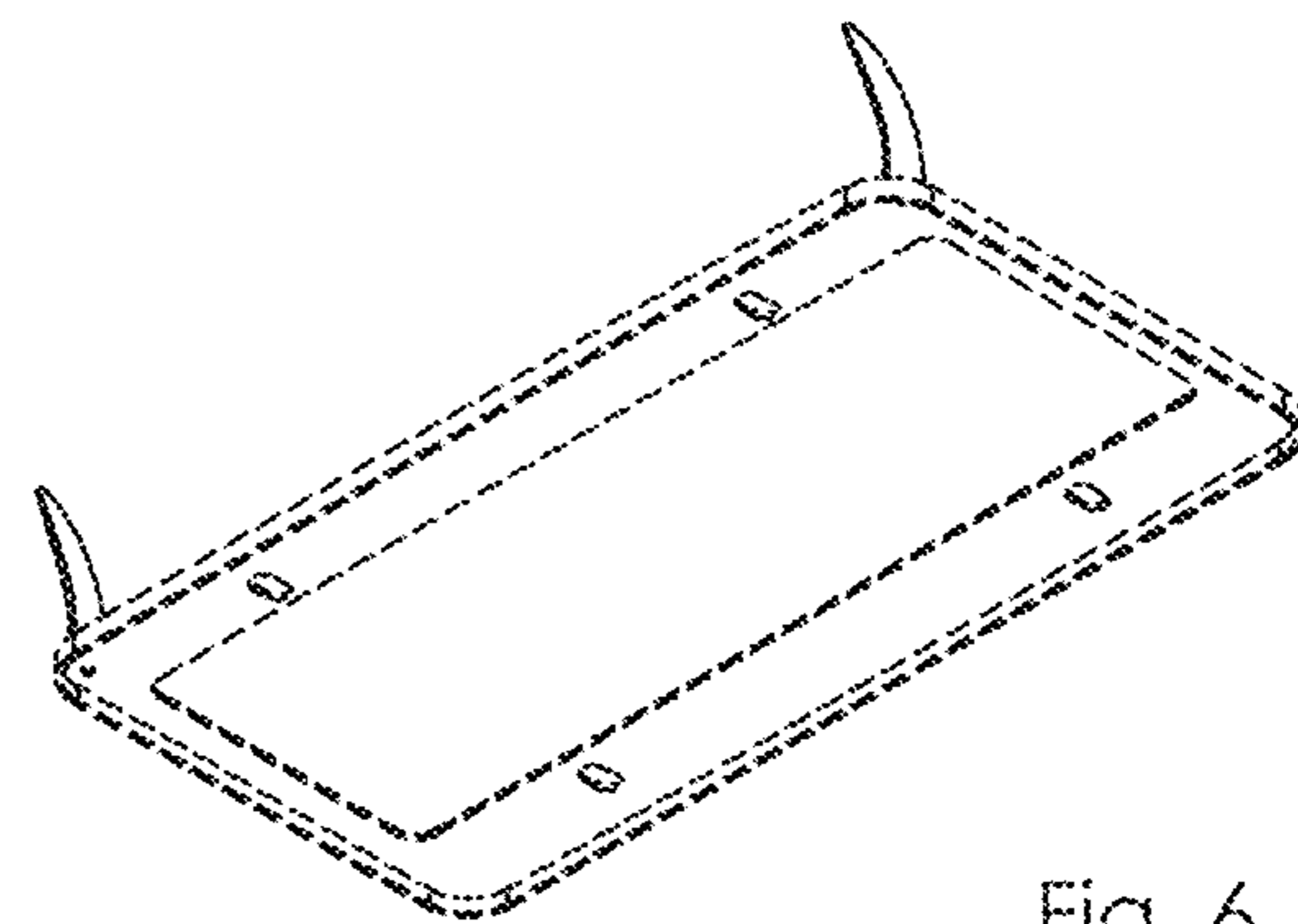


Fig. 6

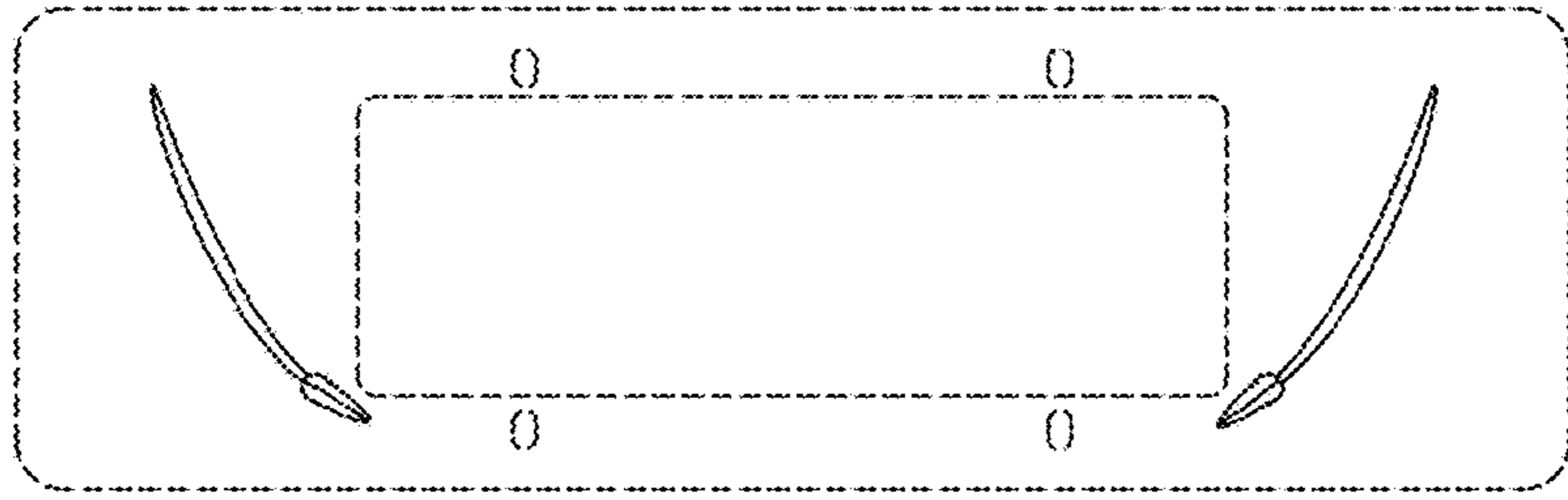


Fig. 7

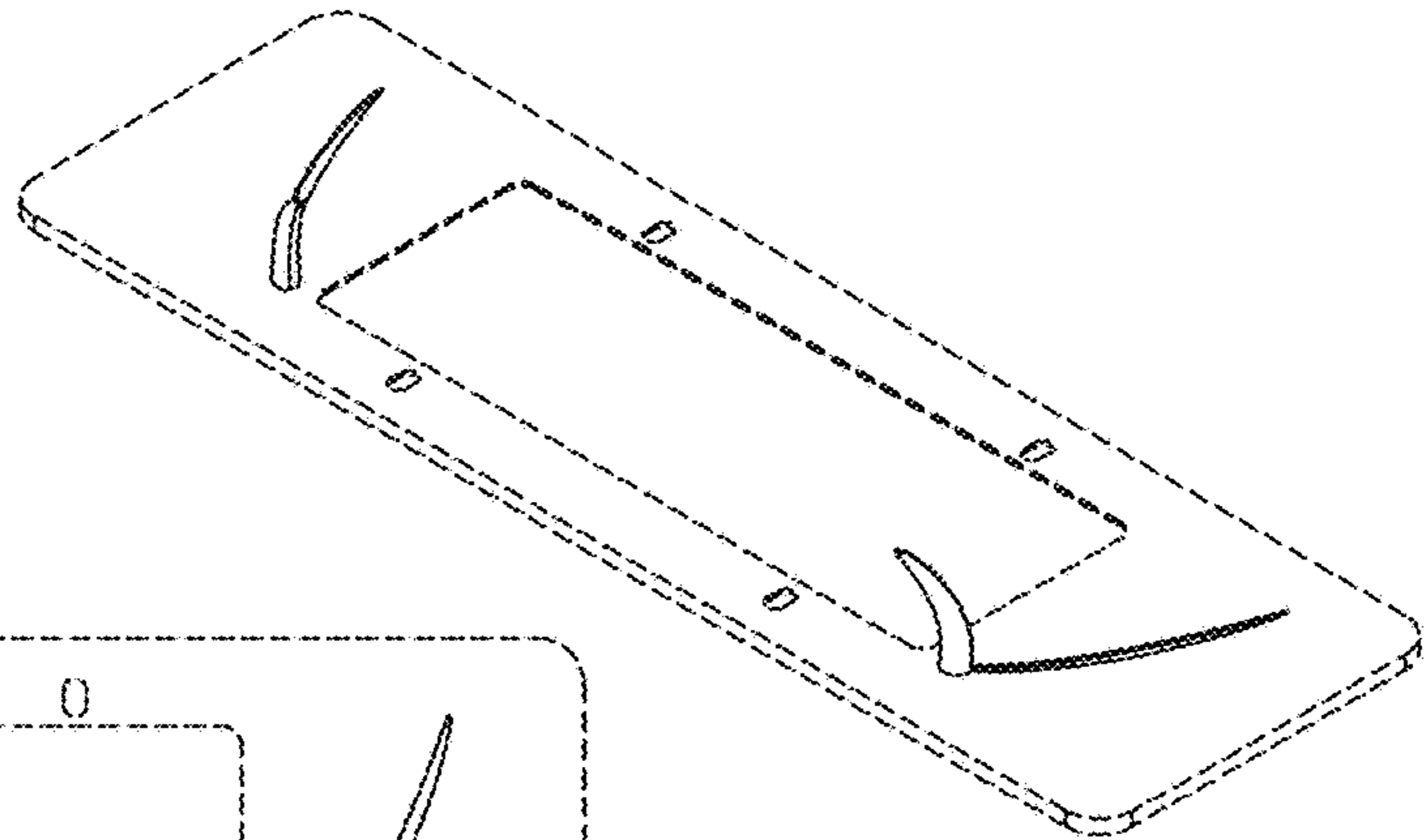


Fig. 8

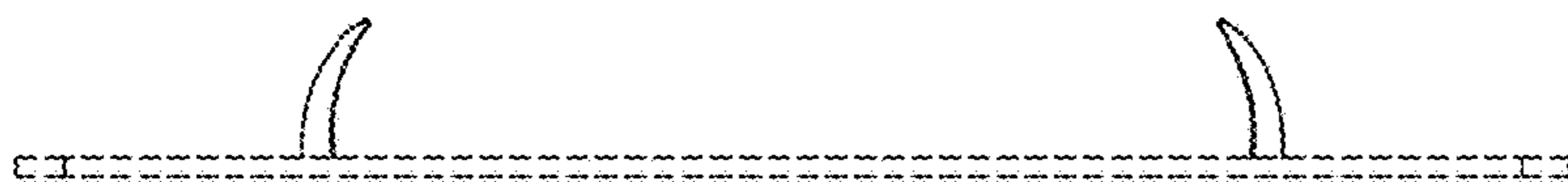


Fig. 9

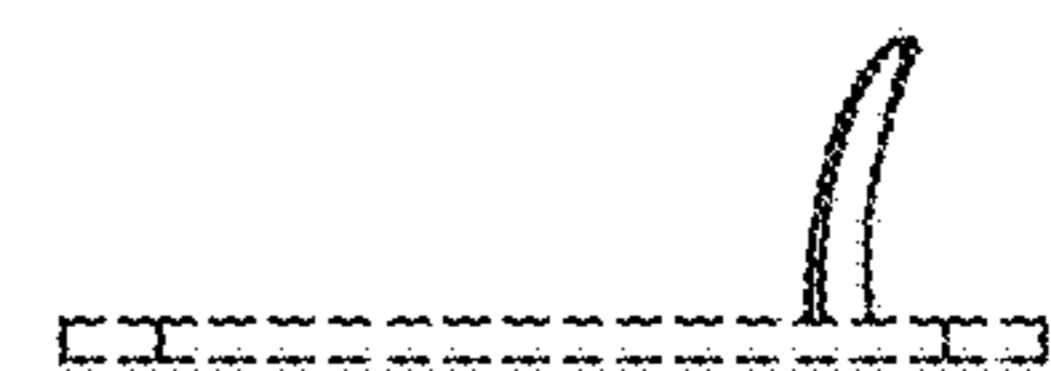


Fig. 10

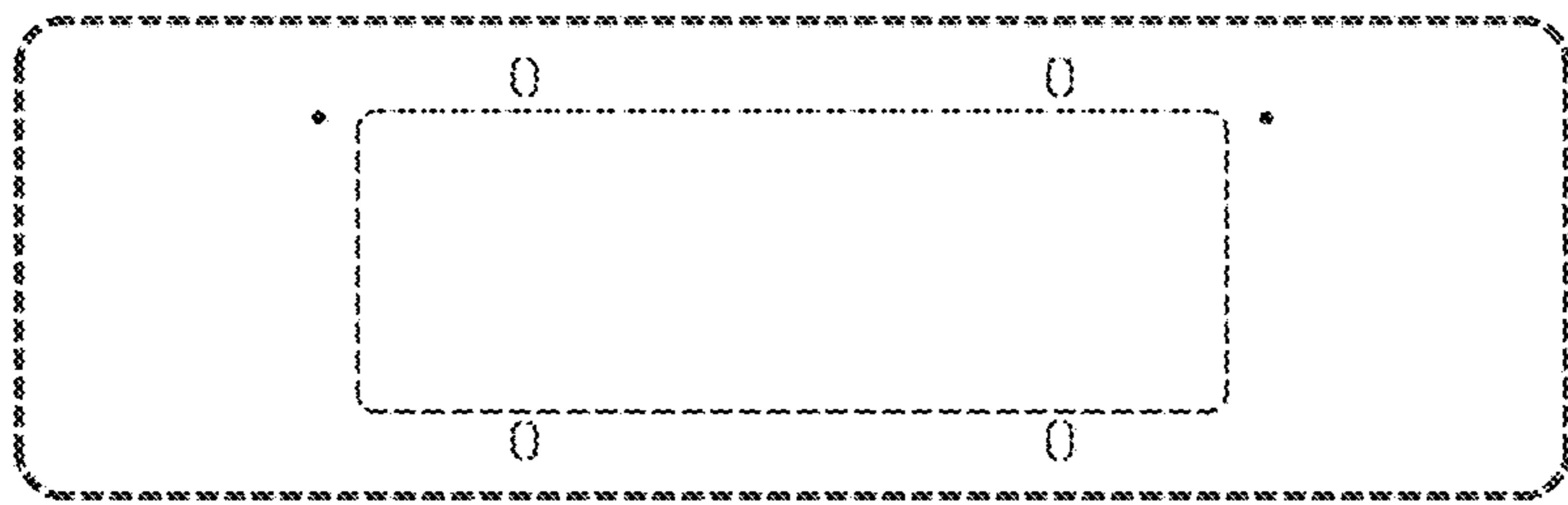


Fig. 11

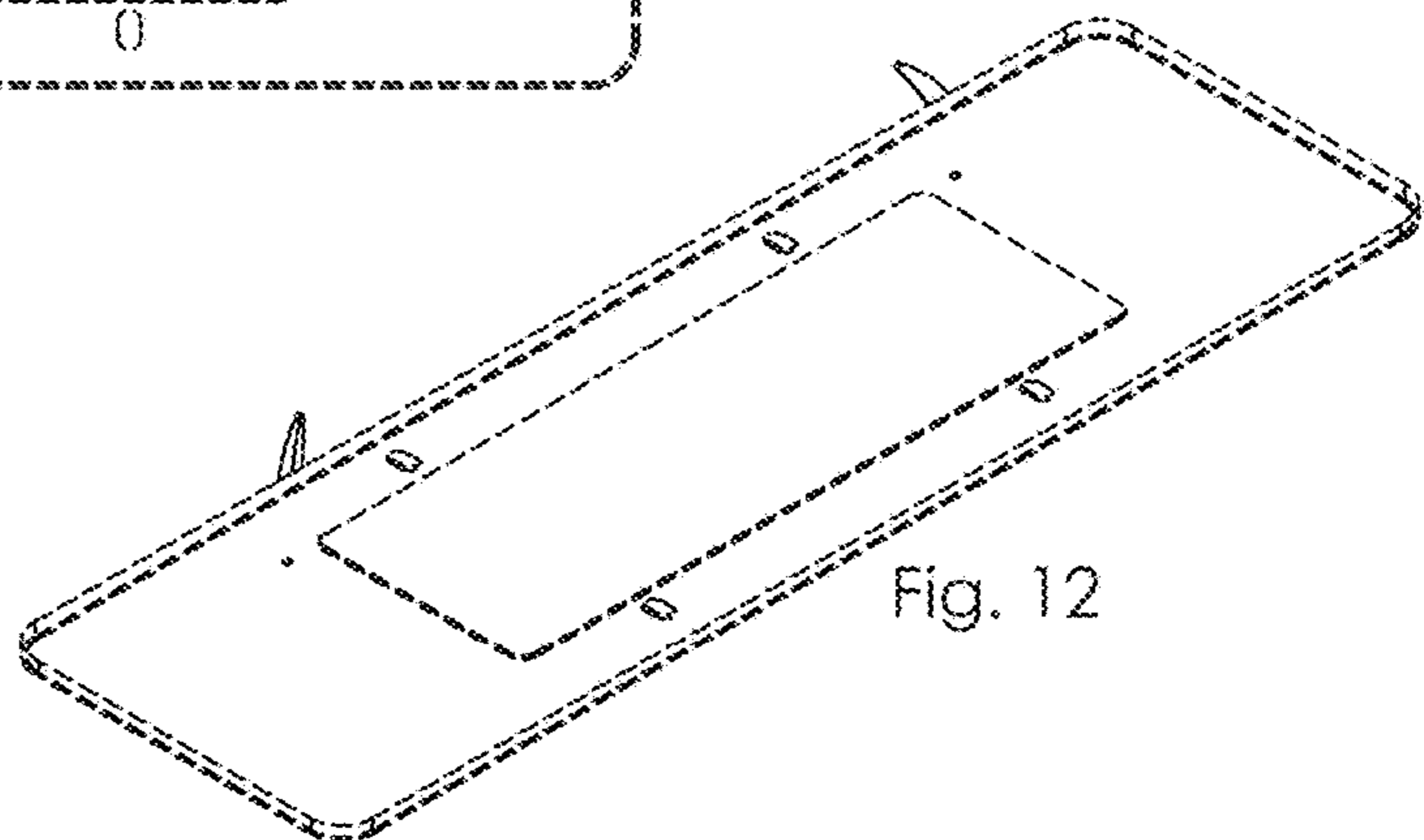


Fig. 12

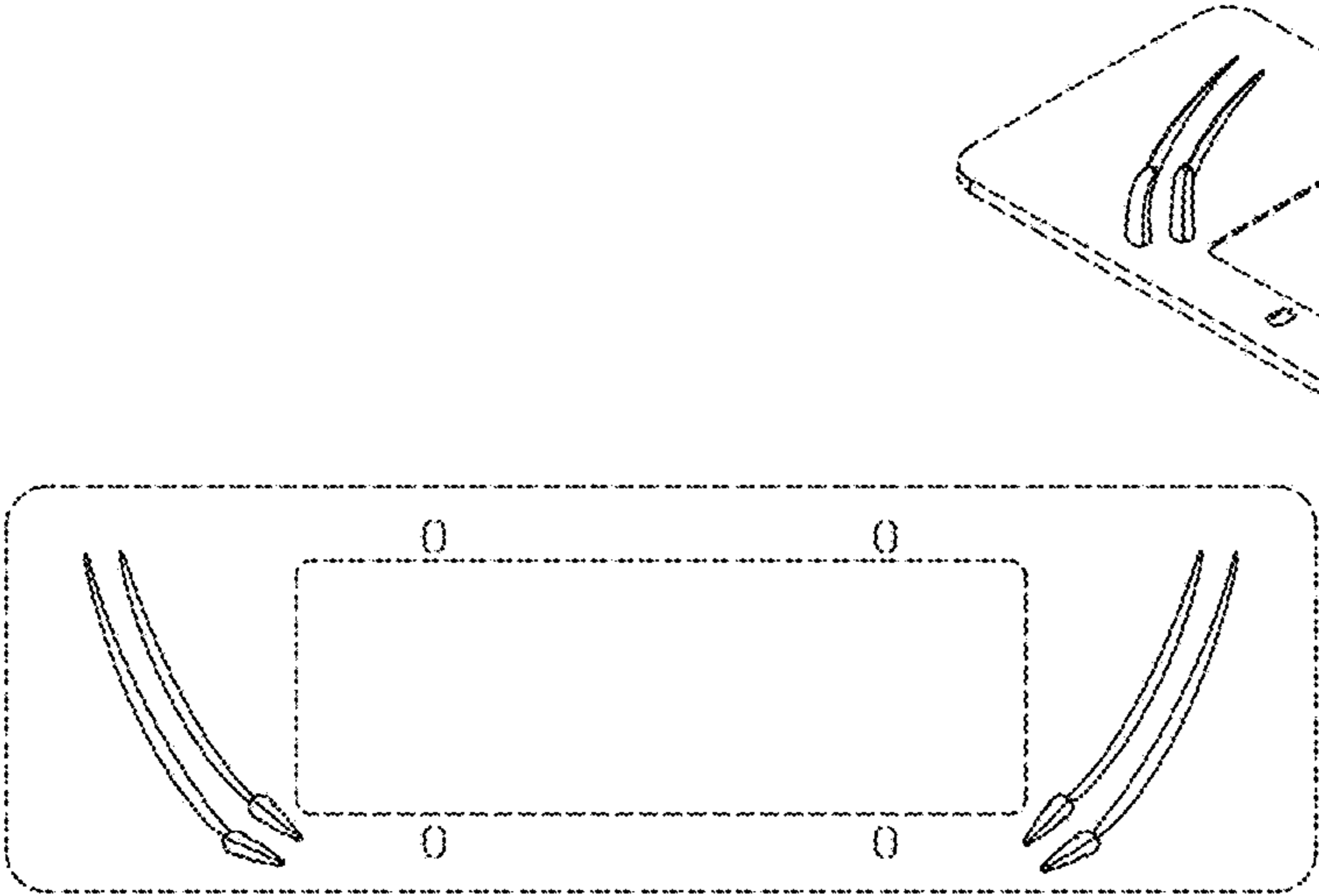


Fig. 13

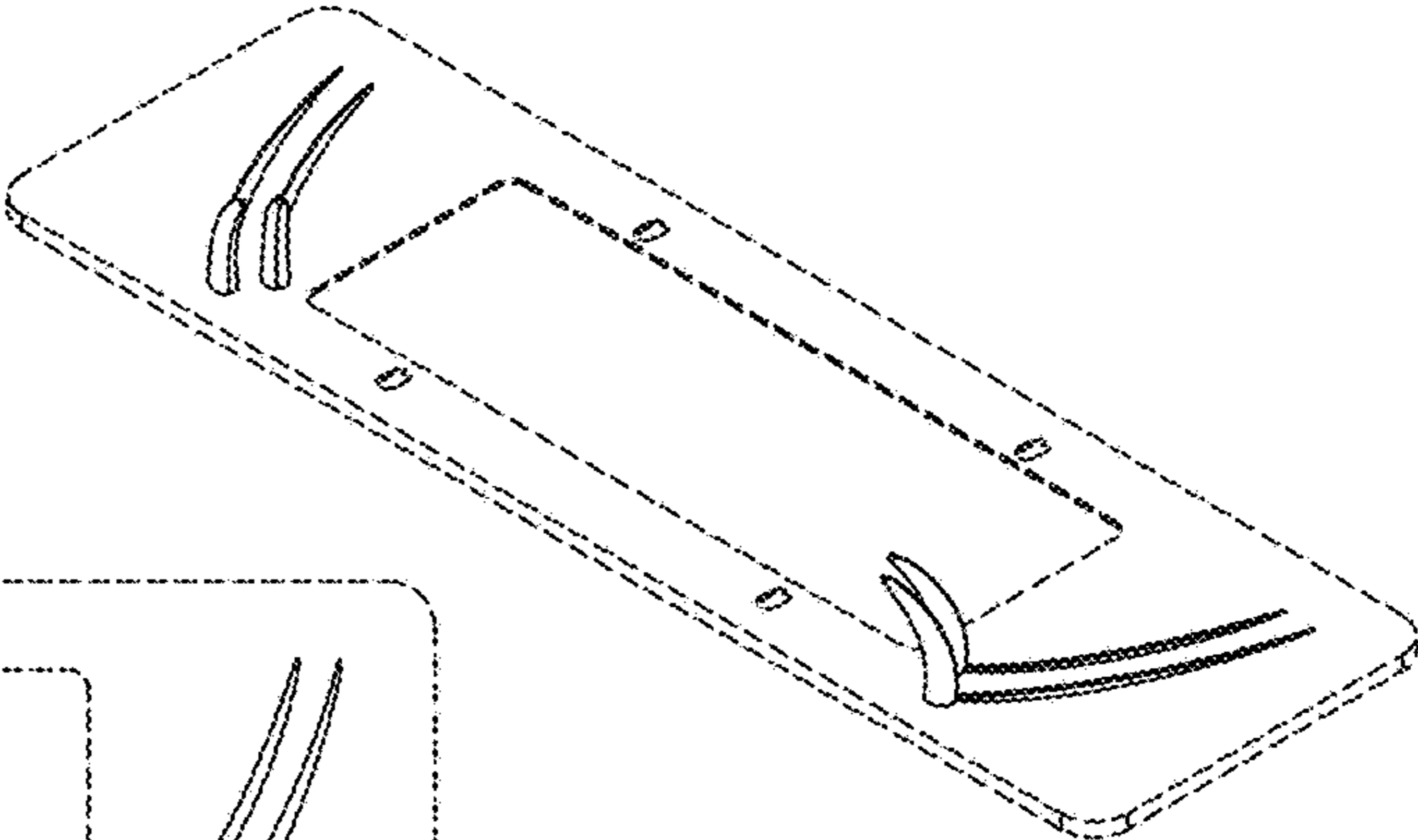


Fig. 14



Fig. 15



Fig. 16



Fig. 17

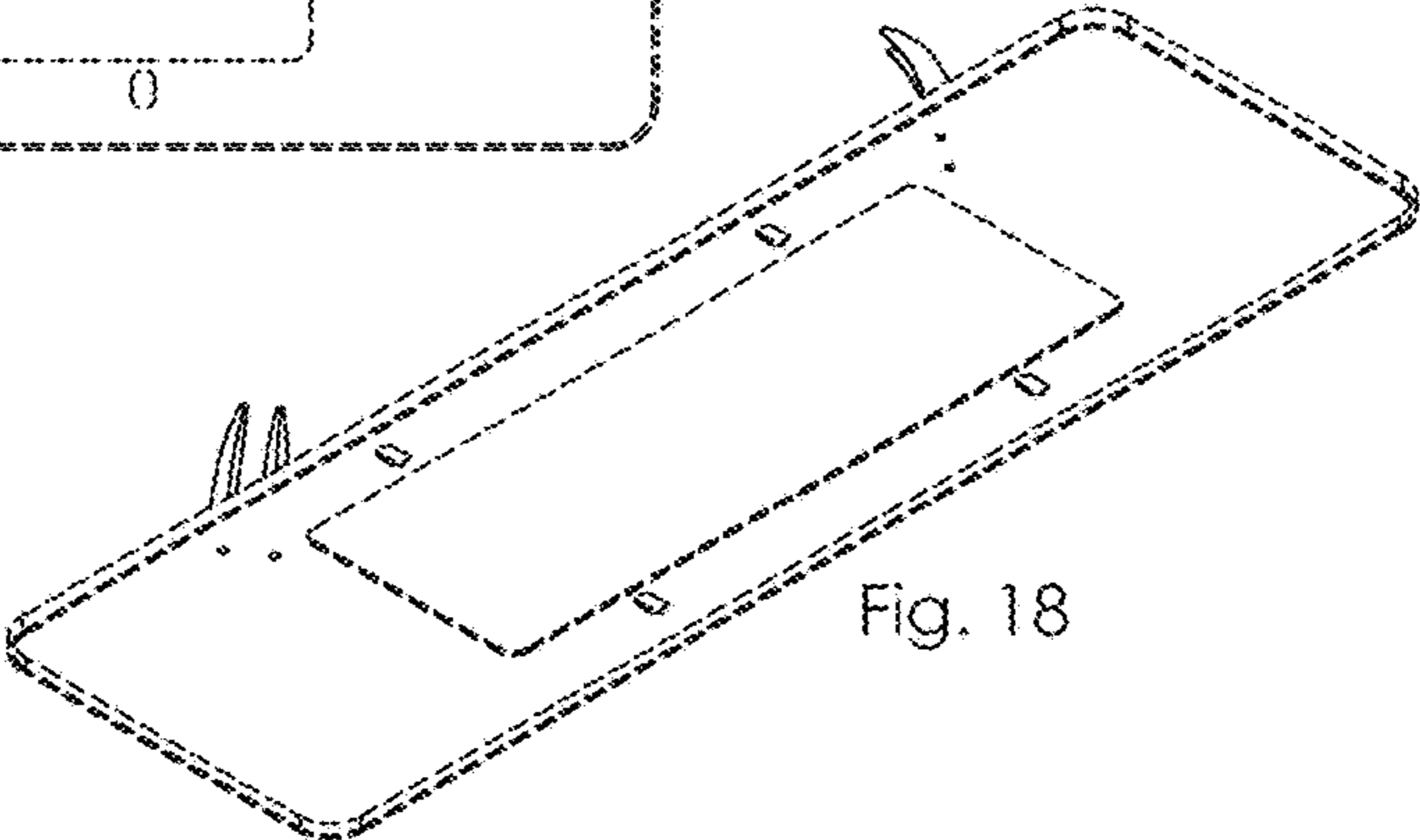


Fig. 18

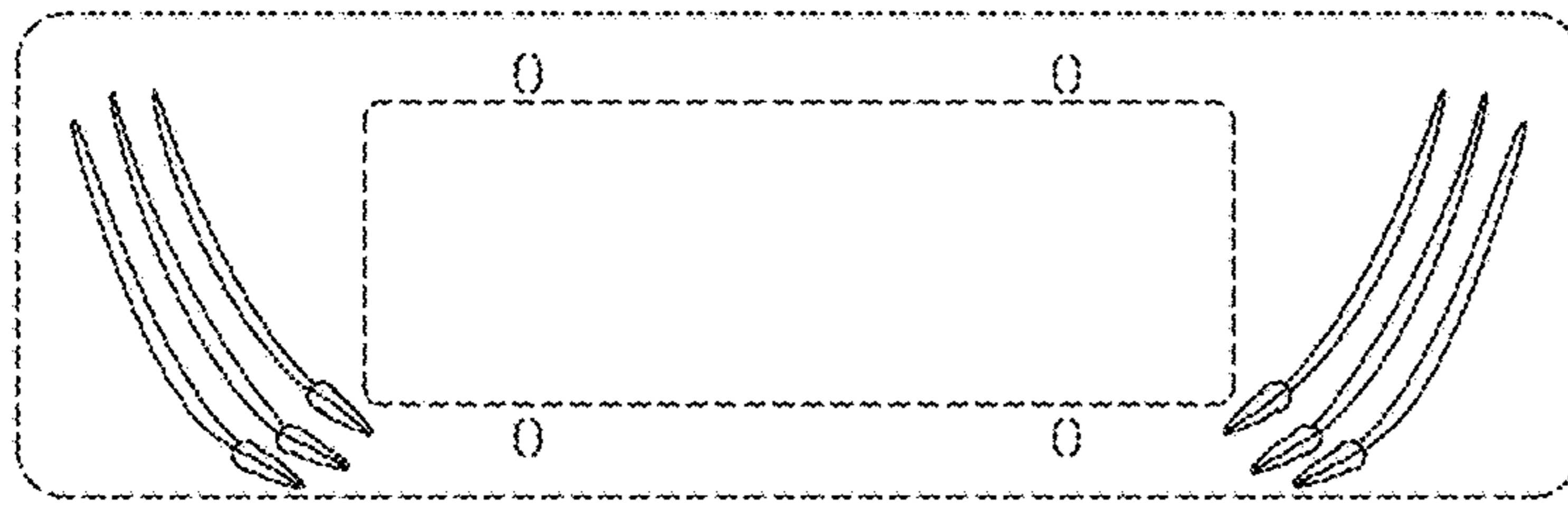


Fig. 19

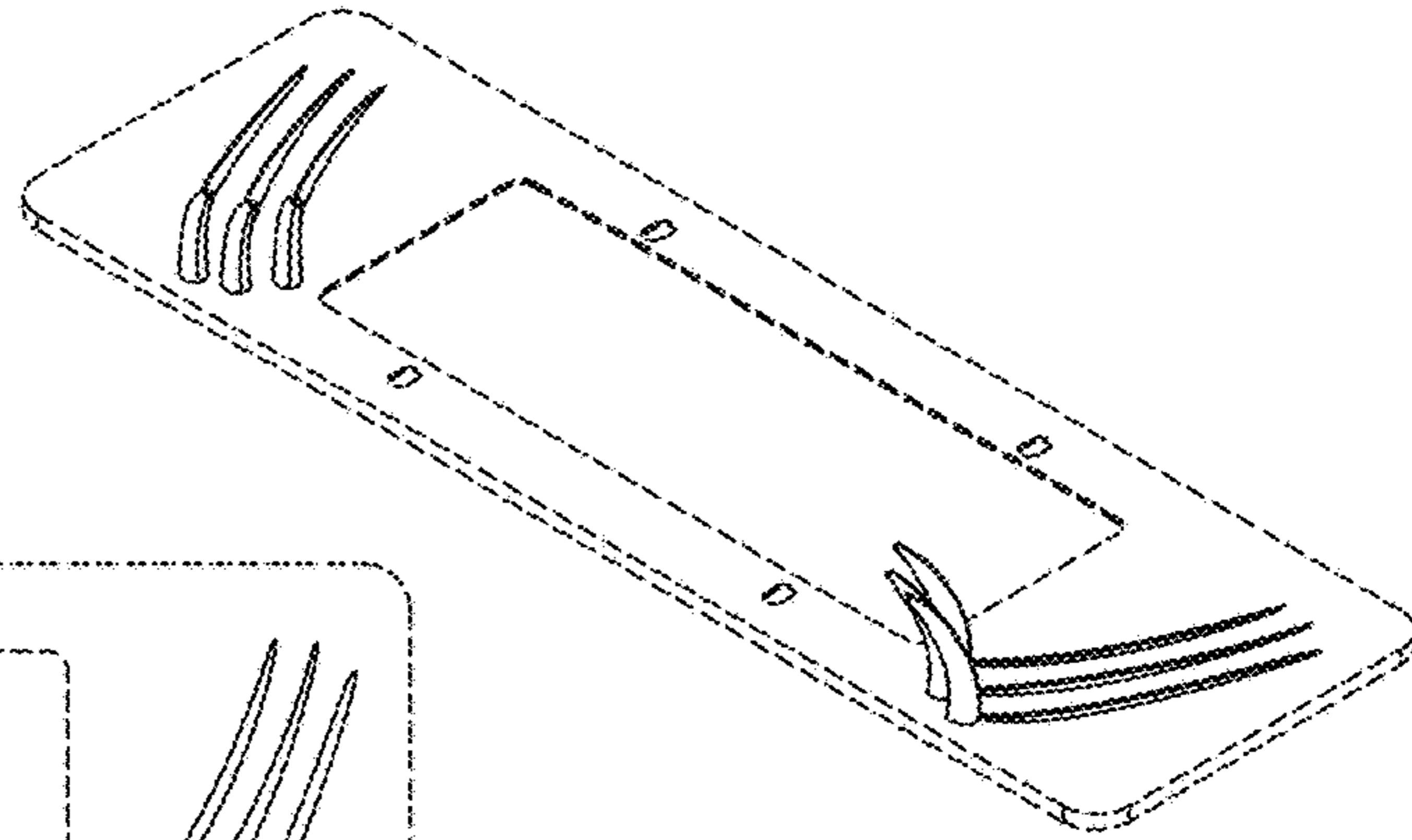


Fig. 20

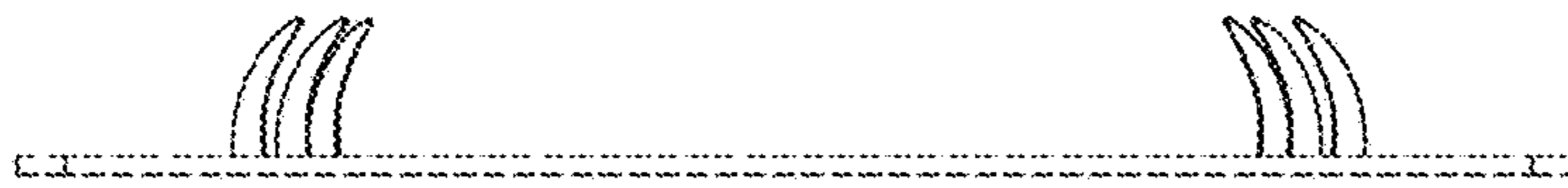


Fig. 21



Fig. 22

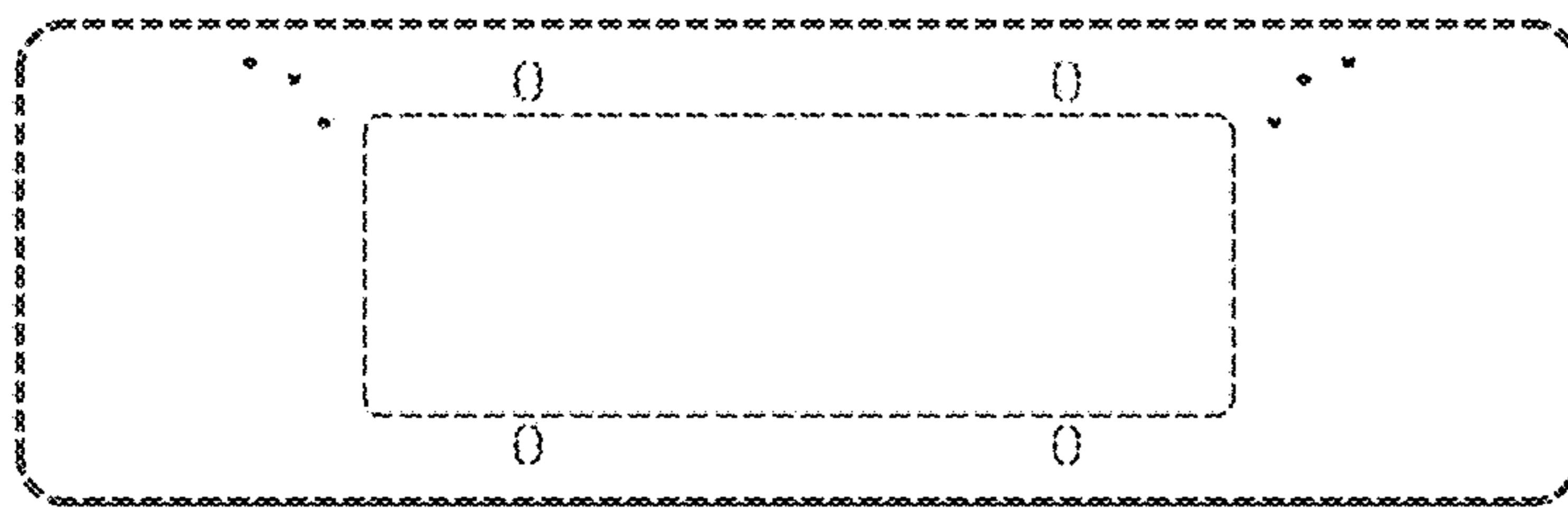


Fig. 23

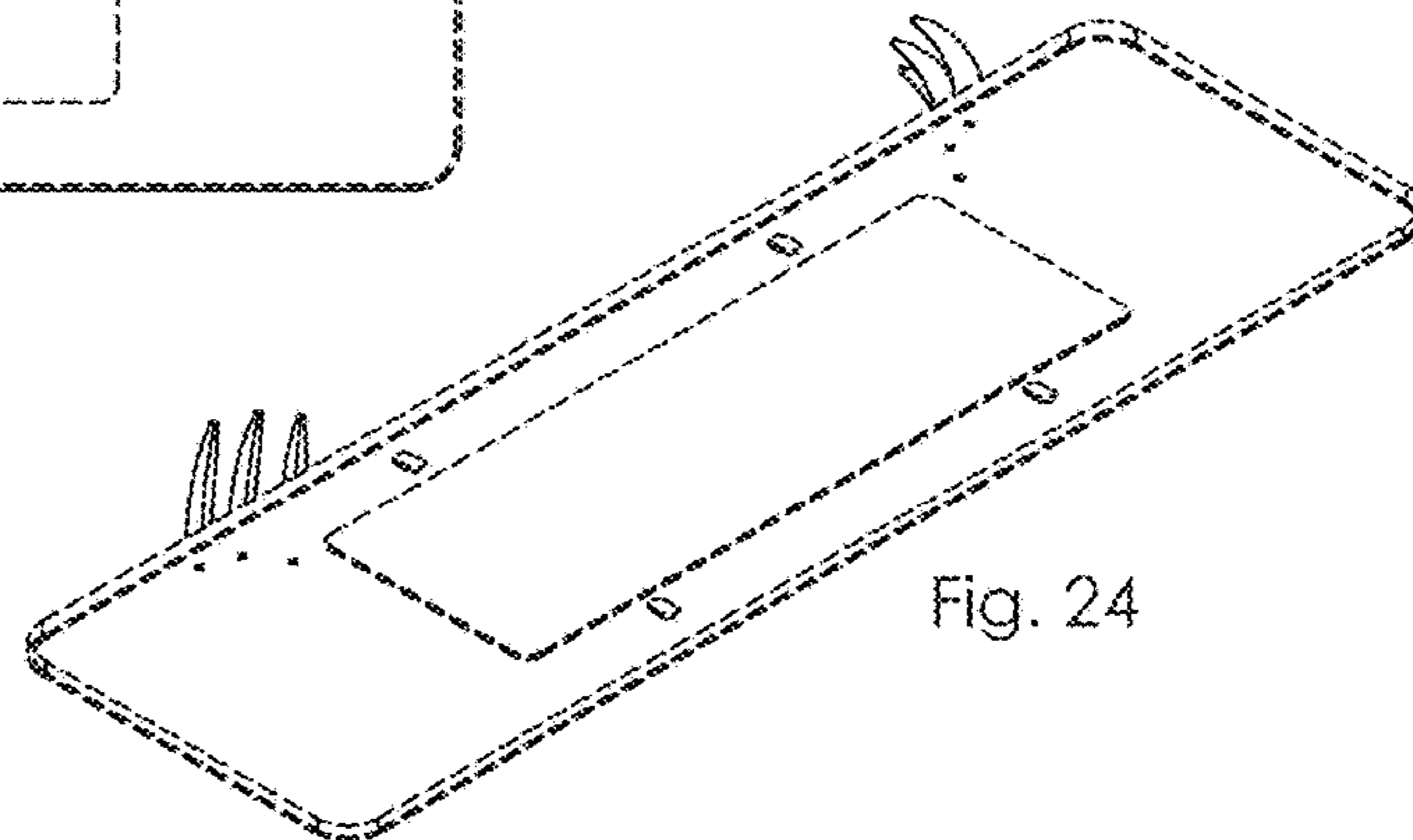


Fig. 24

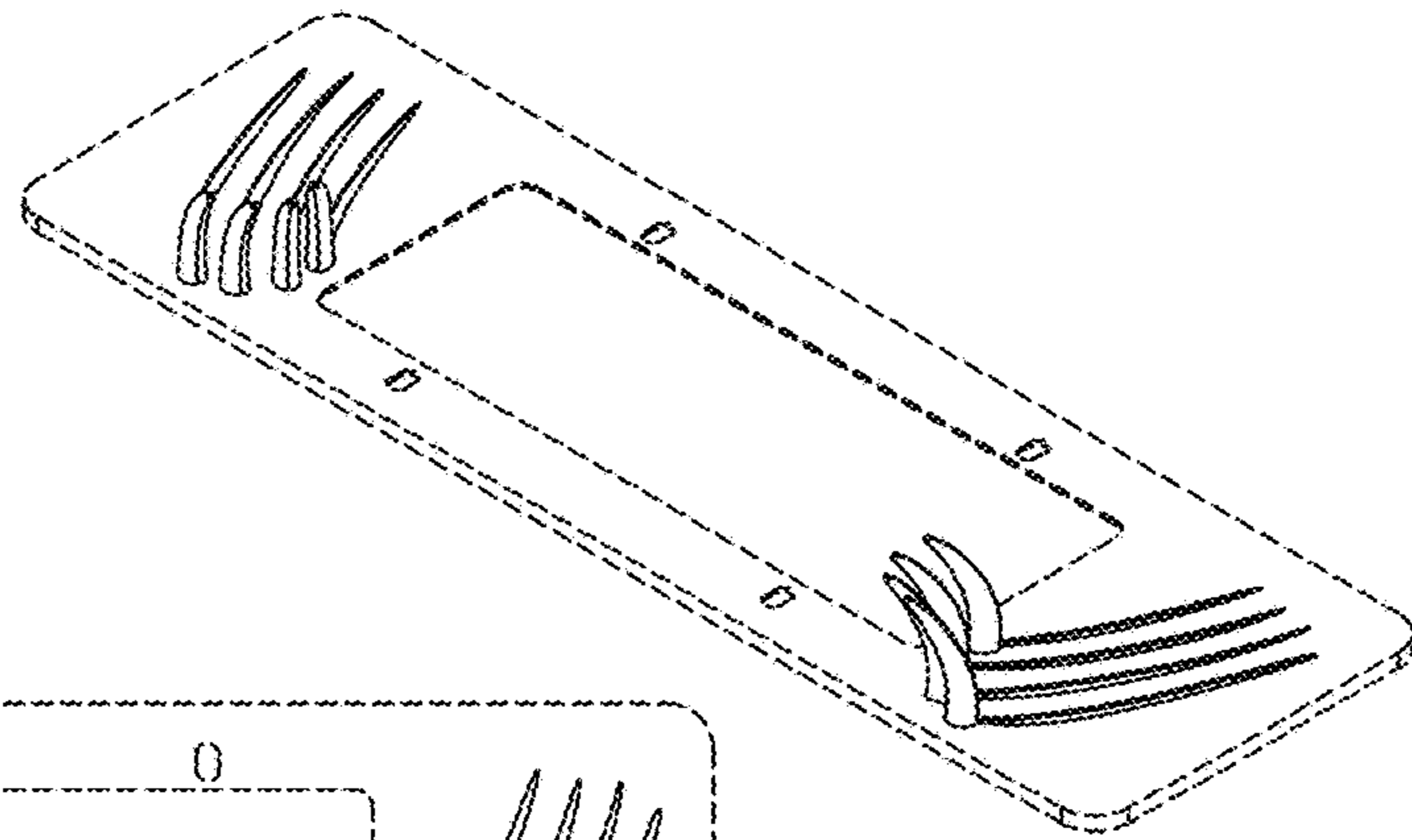


Fig. 26

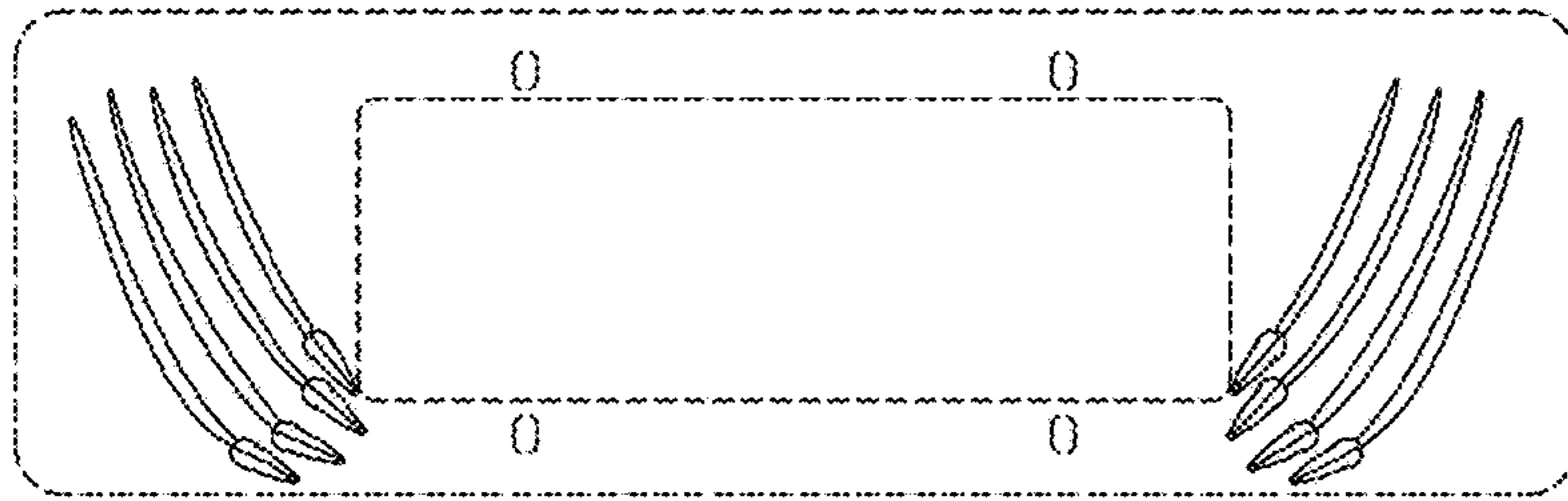


Fig. 25

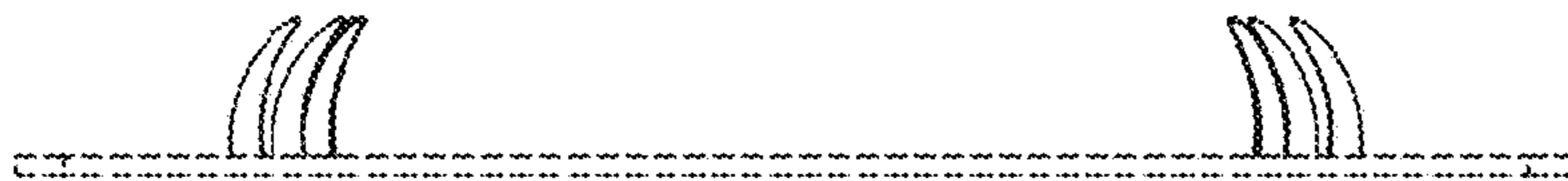


Fig. 27

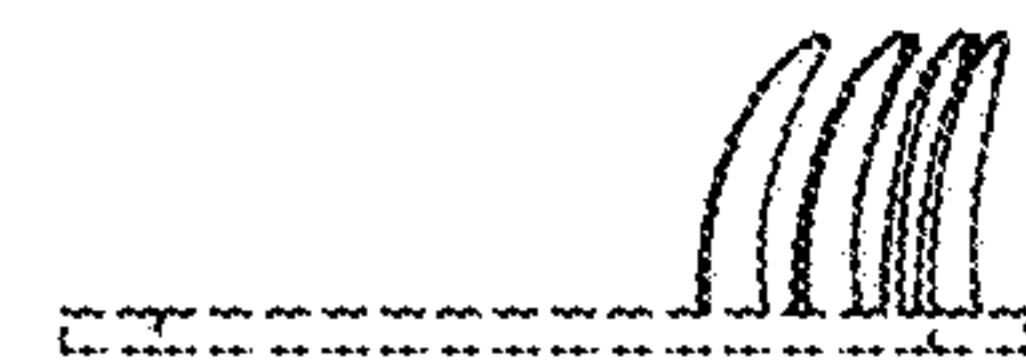


Fig. 28

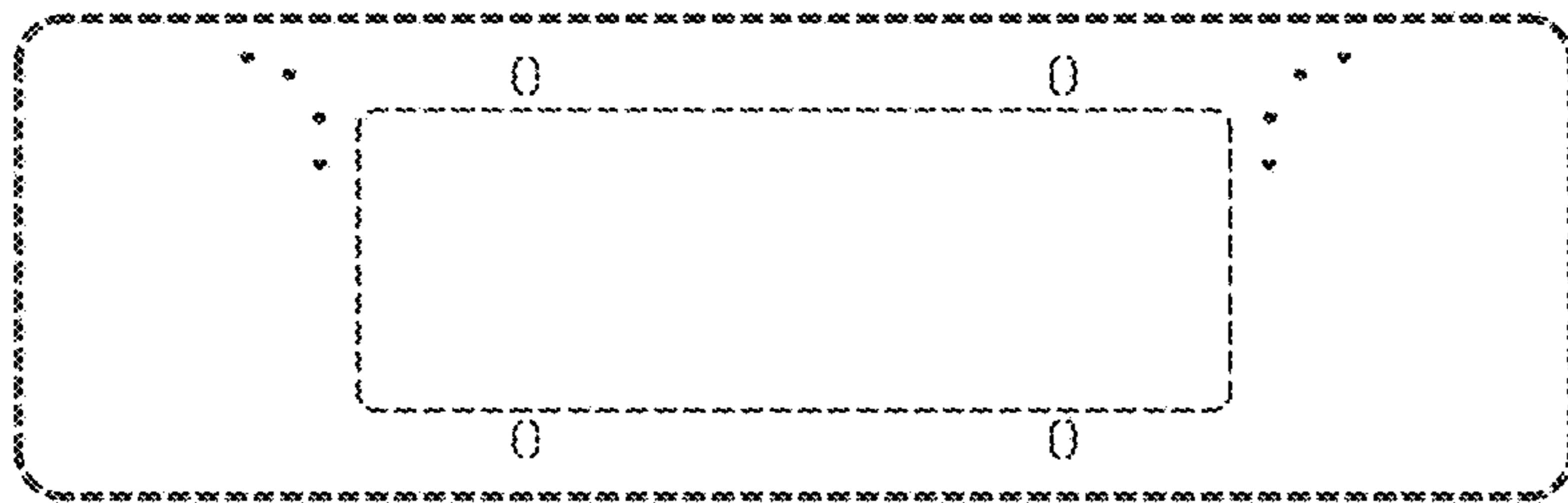


Fig. 29

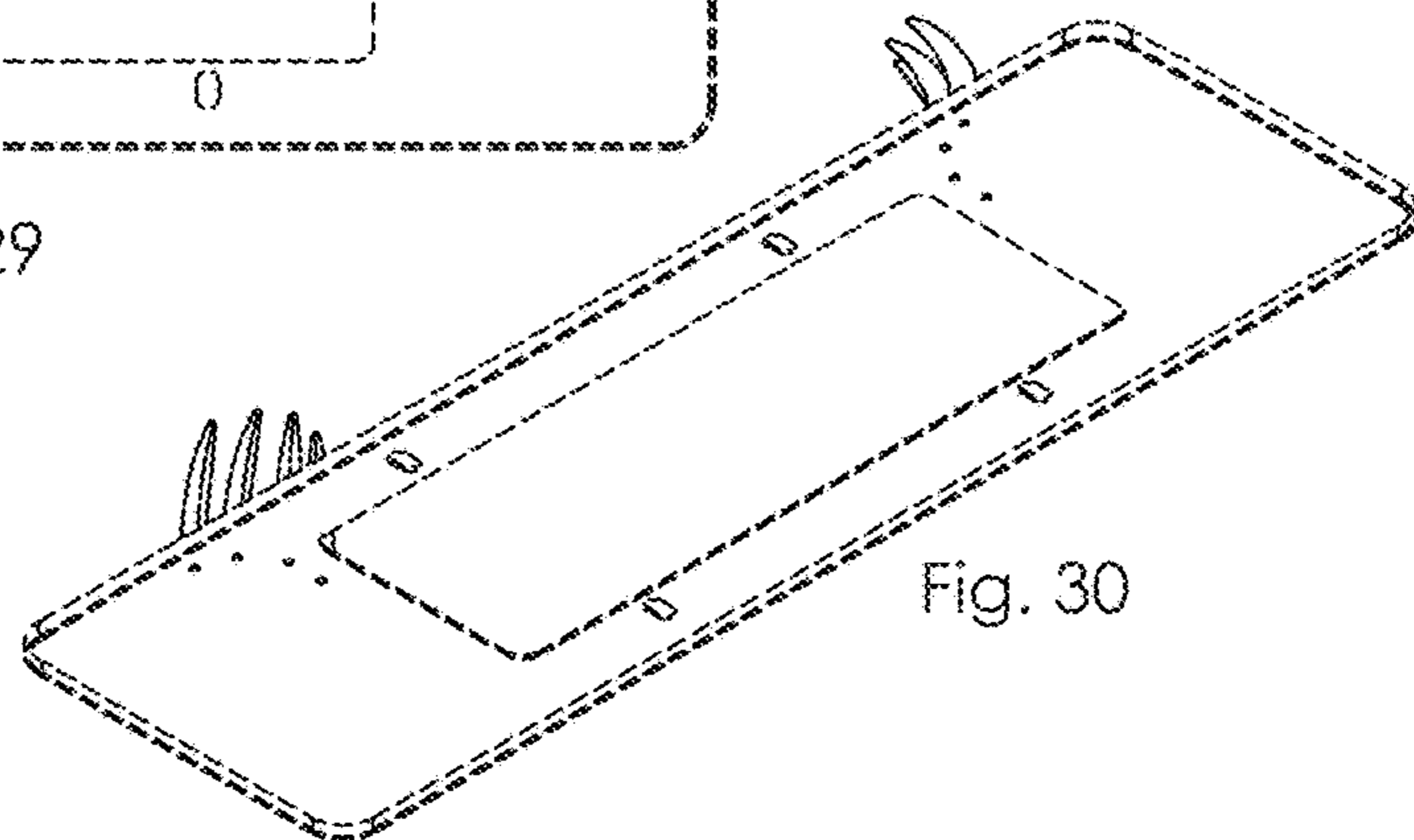


Fig. 30

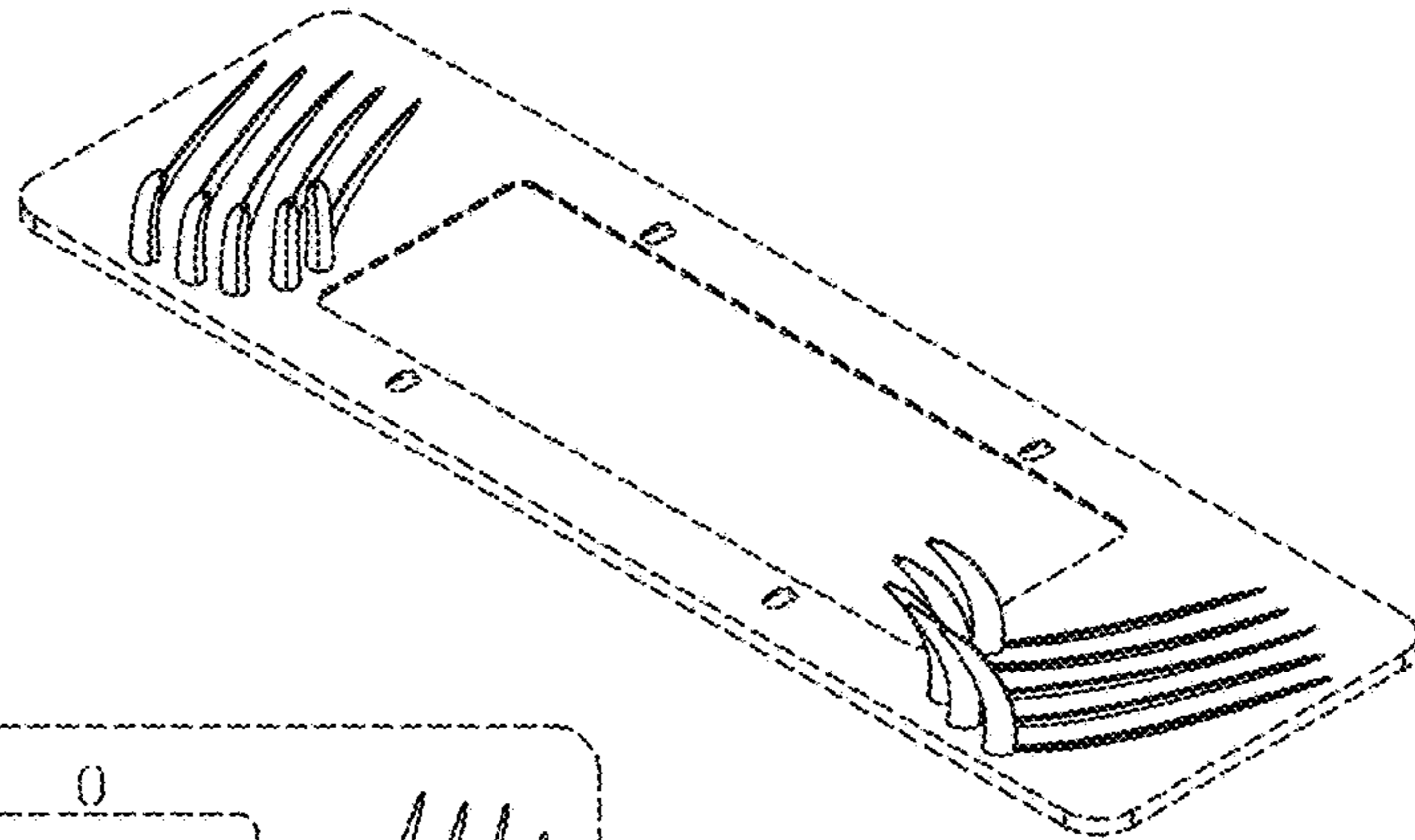


Fig. 32

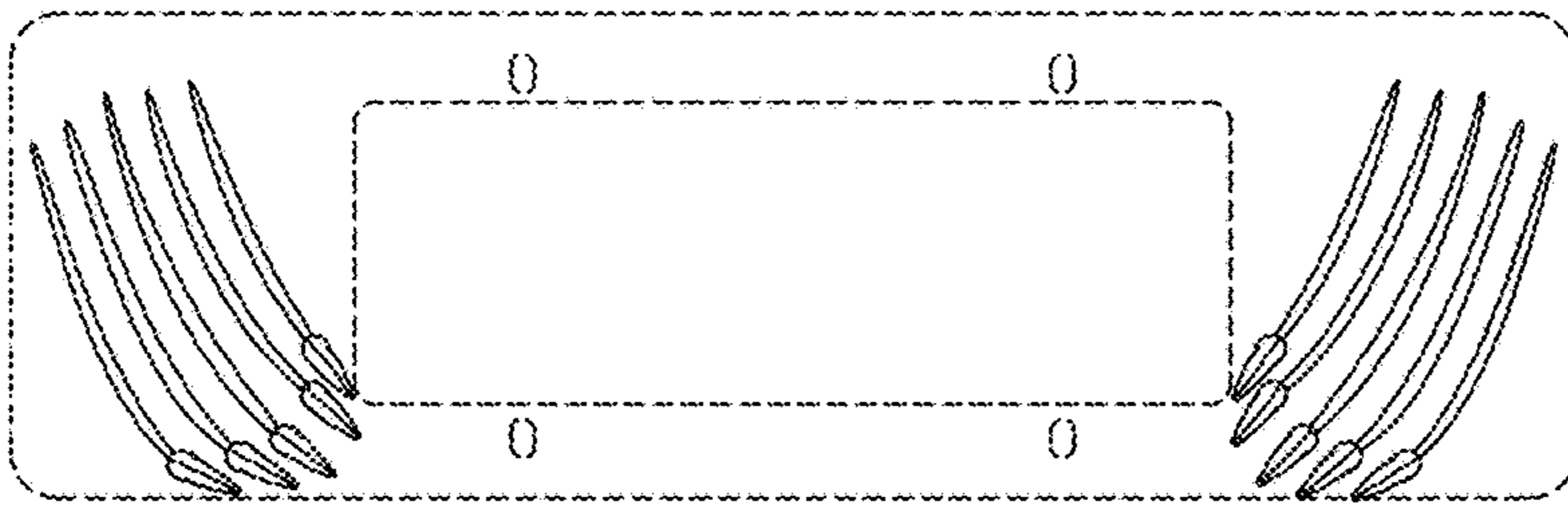


Fig. 31



Fig. 33

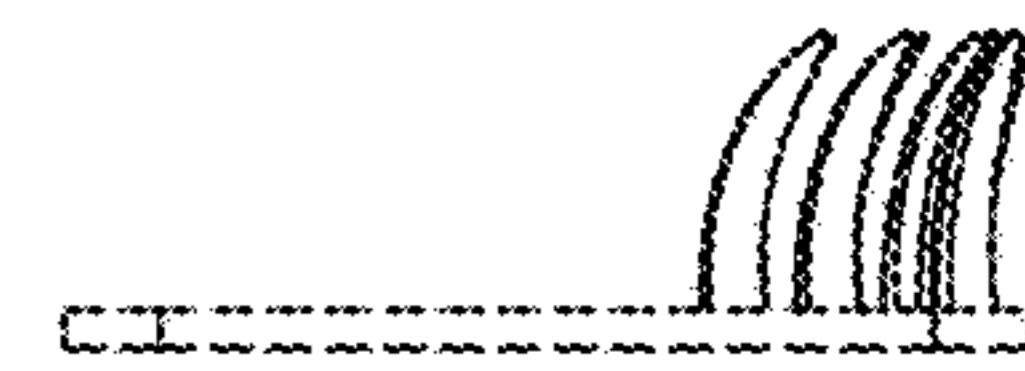


Fig. 34

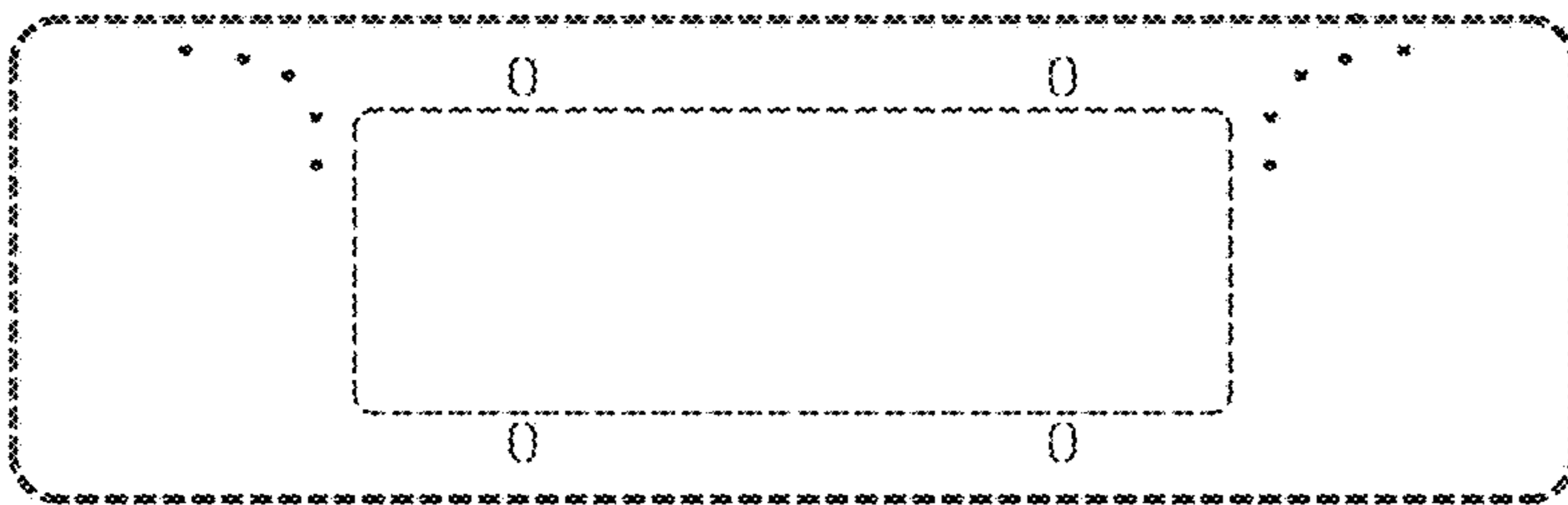


Fig. 35

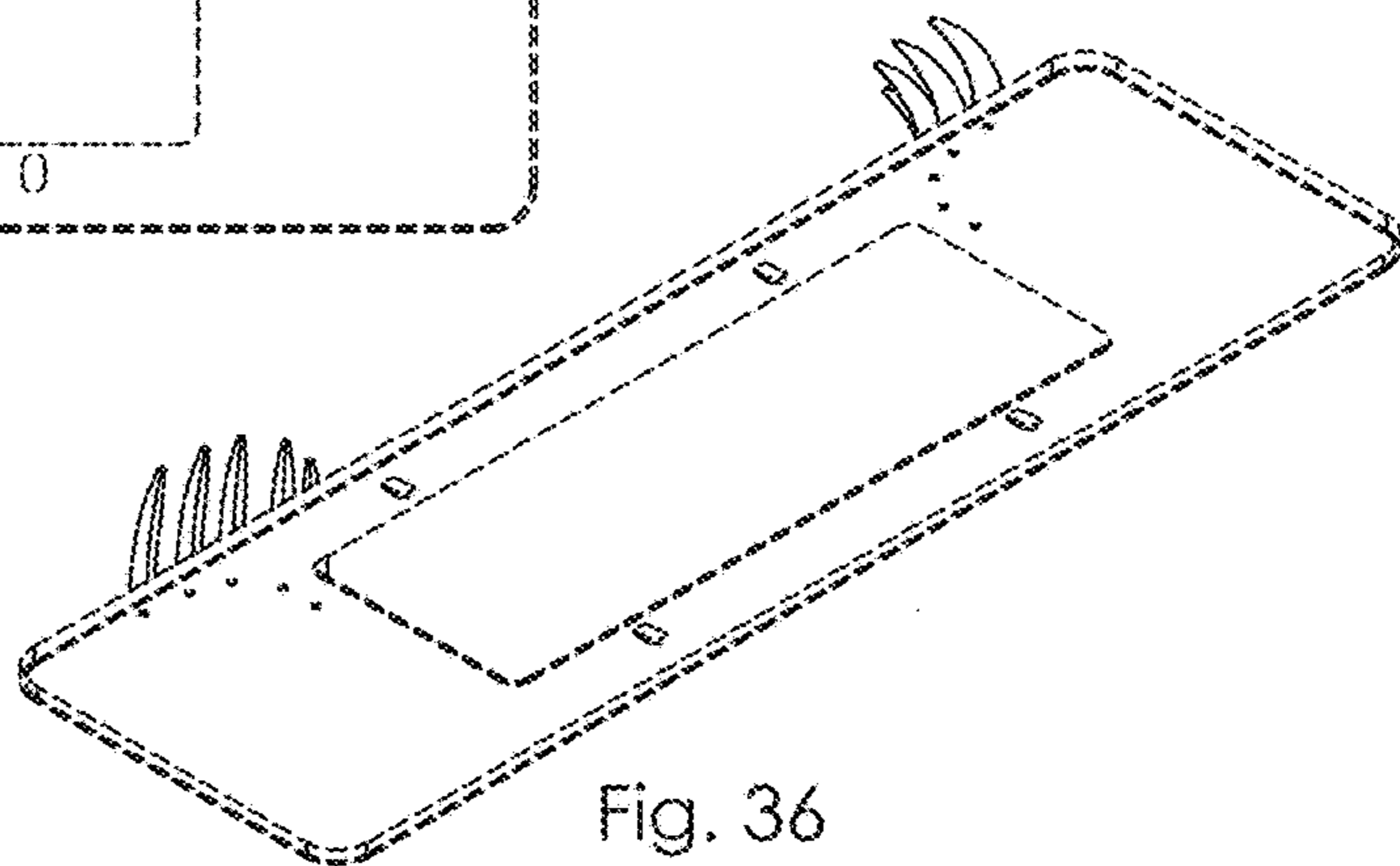


Fig. 36

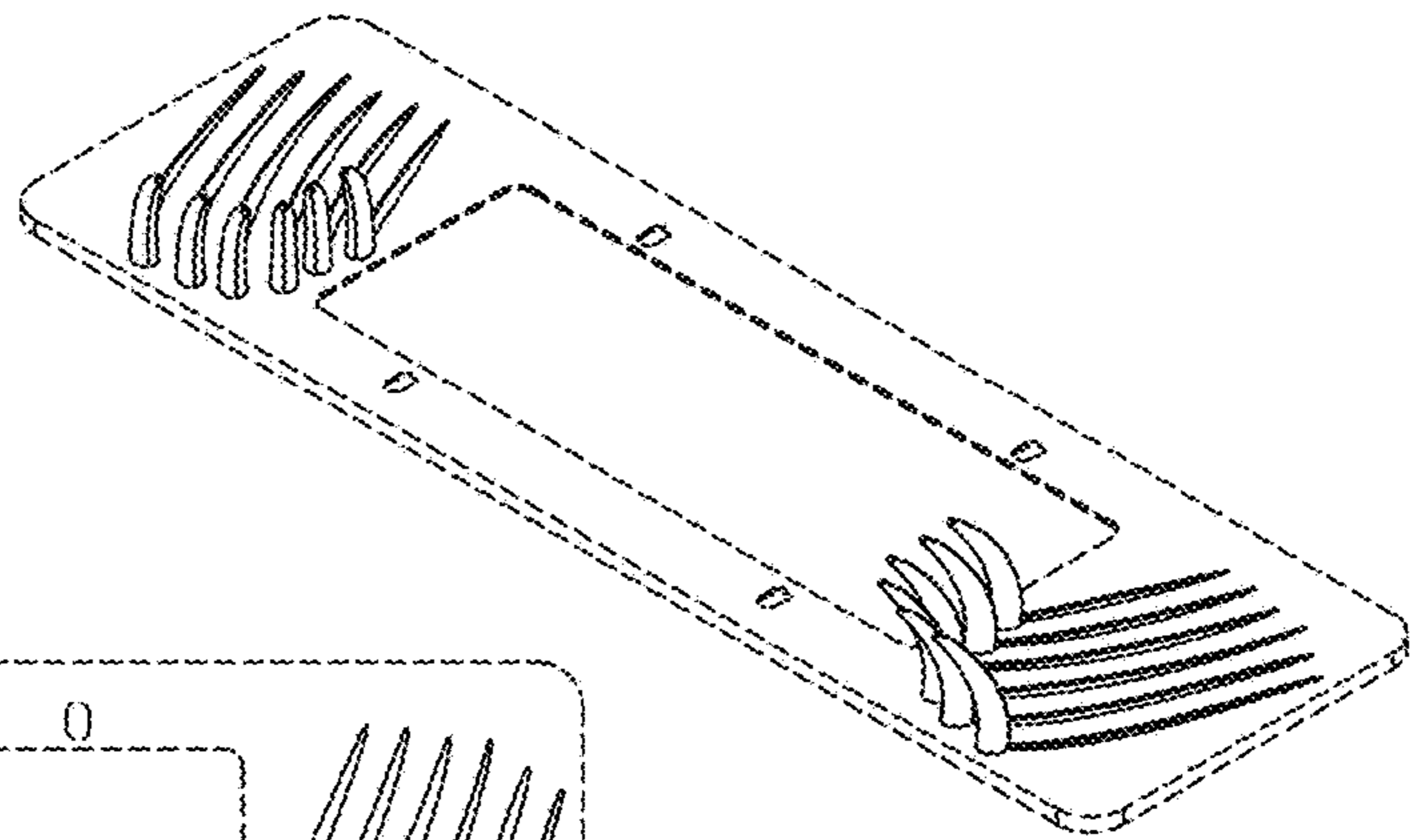


Fig. 38

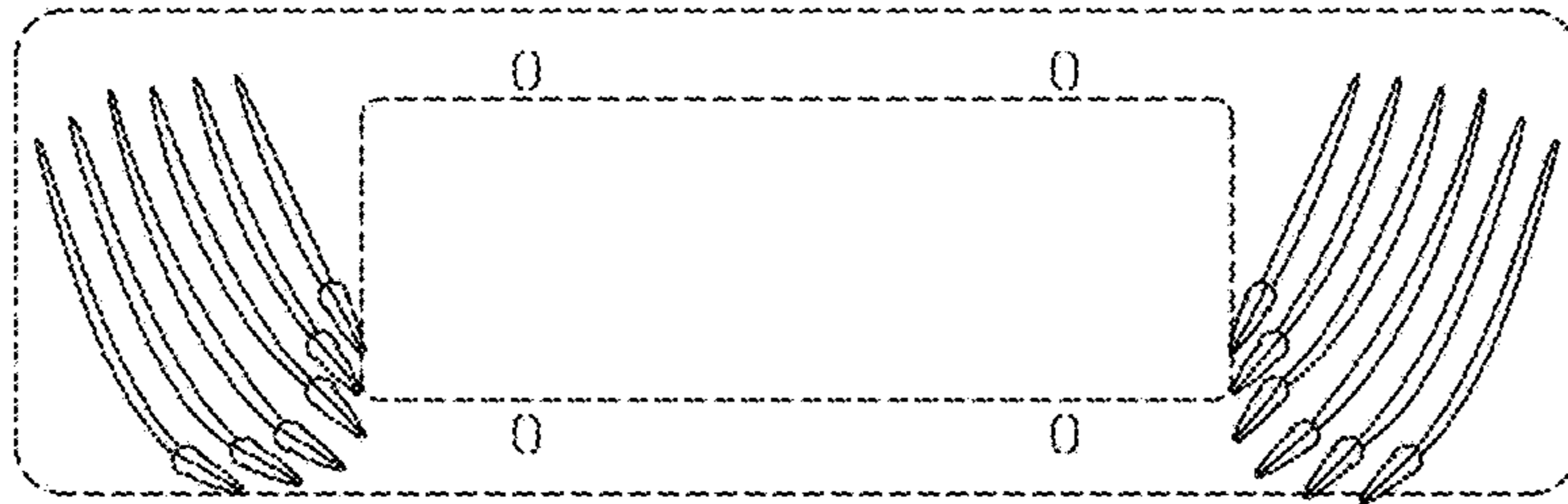


Fig. 37

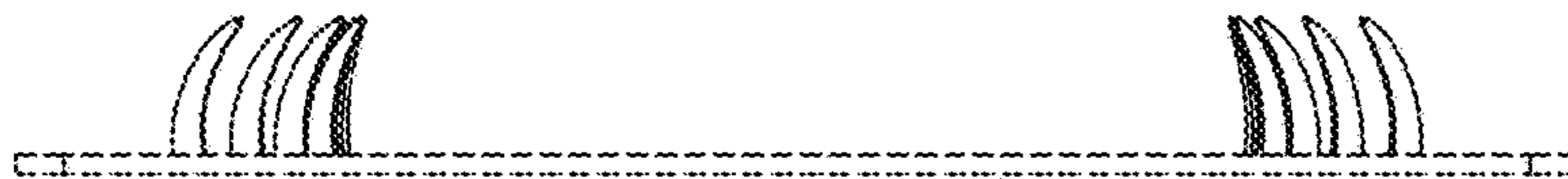


Fig. 39

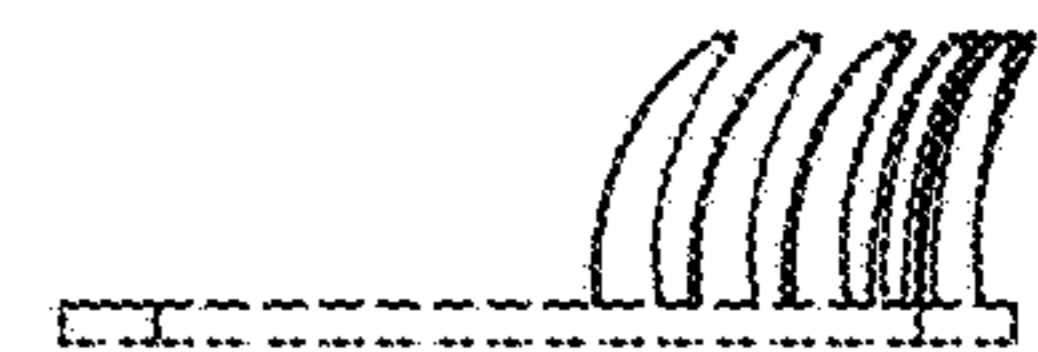


Fig. 40

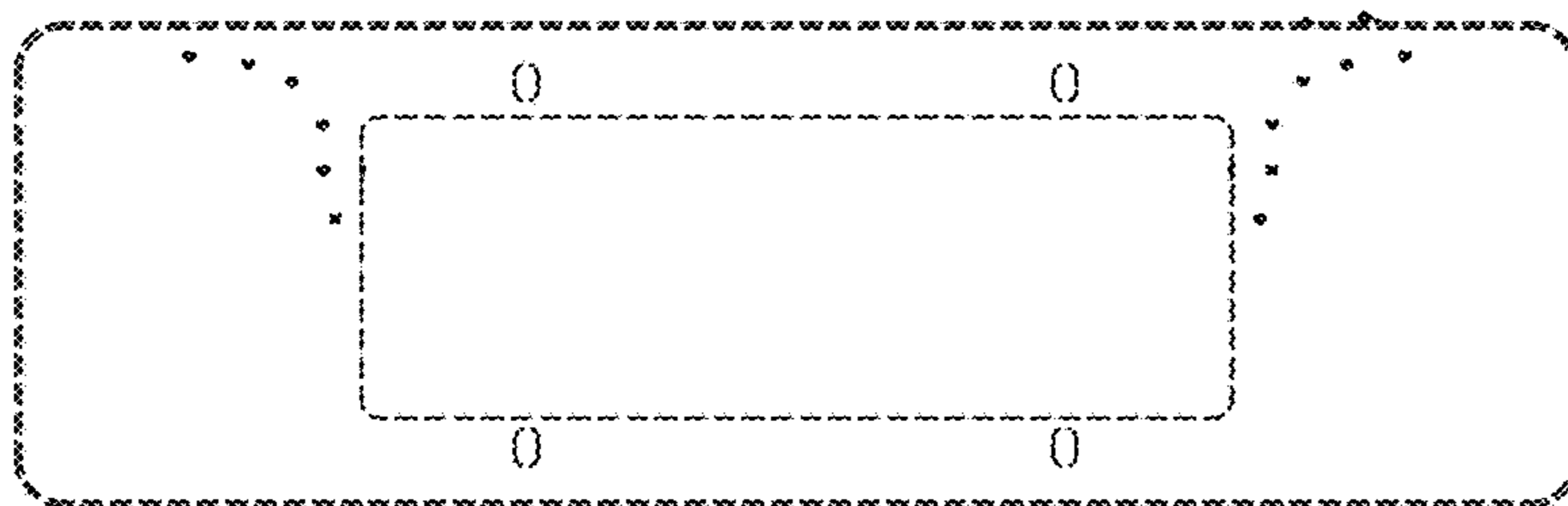


Fig. 41

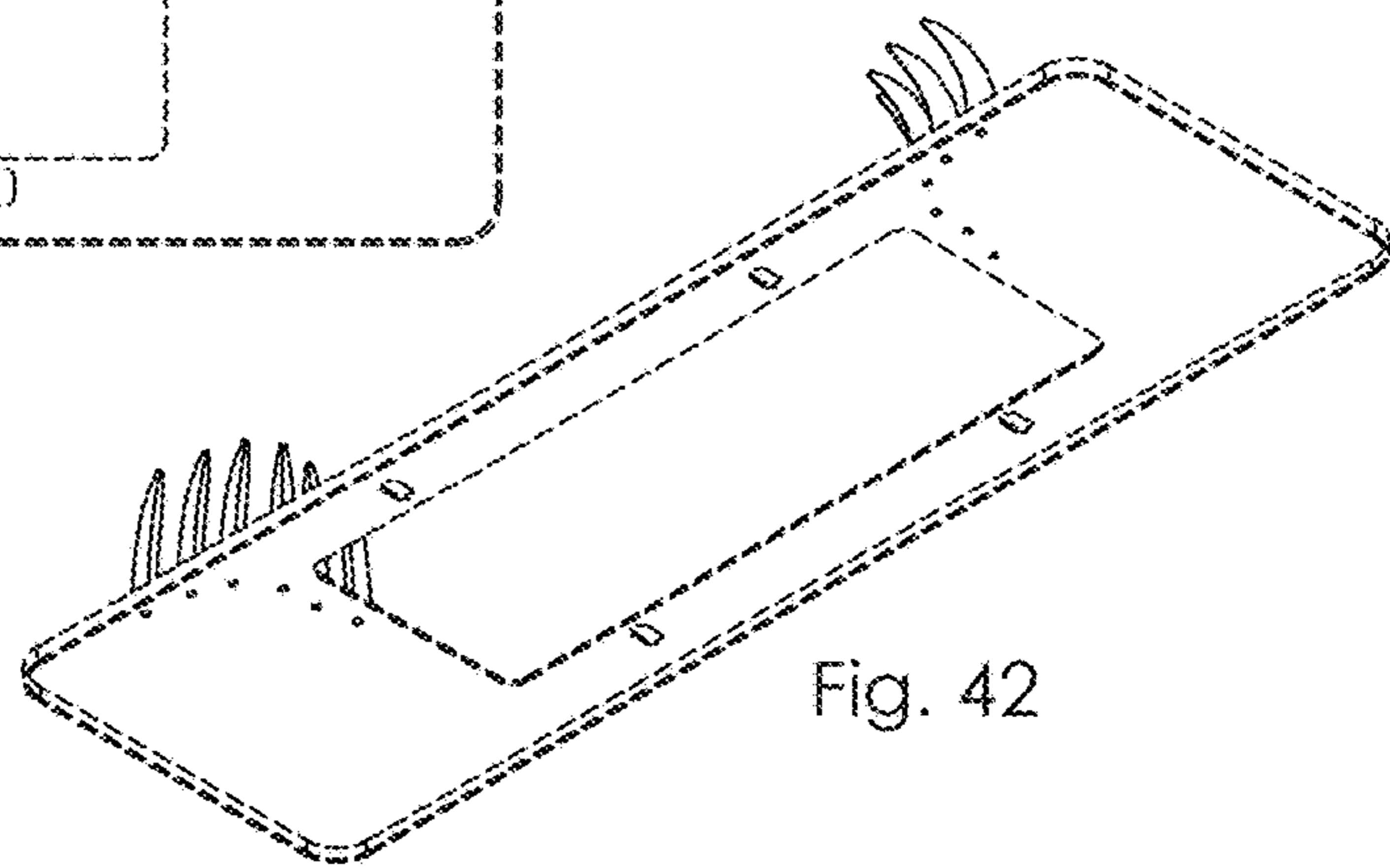


Fig. 42

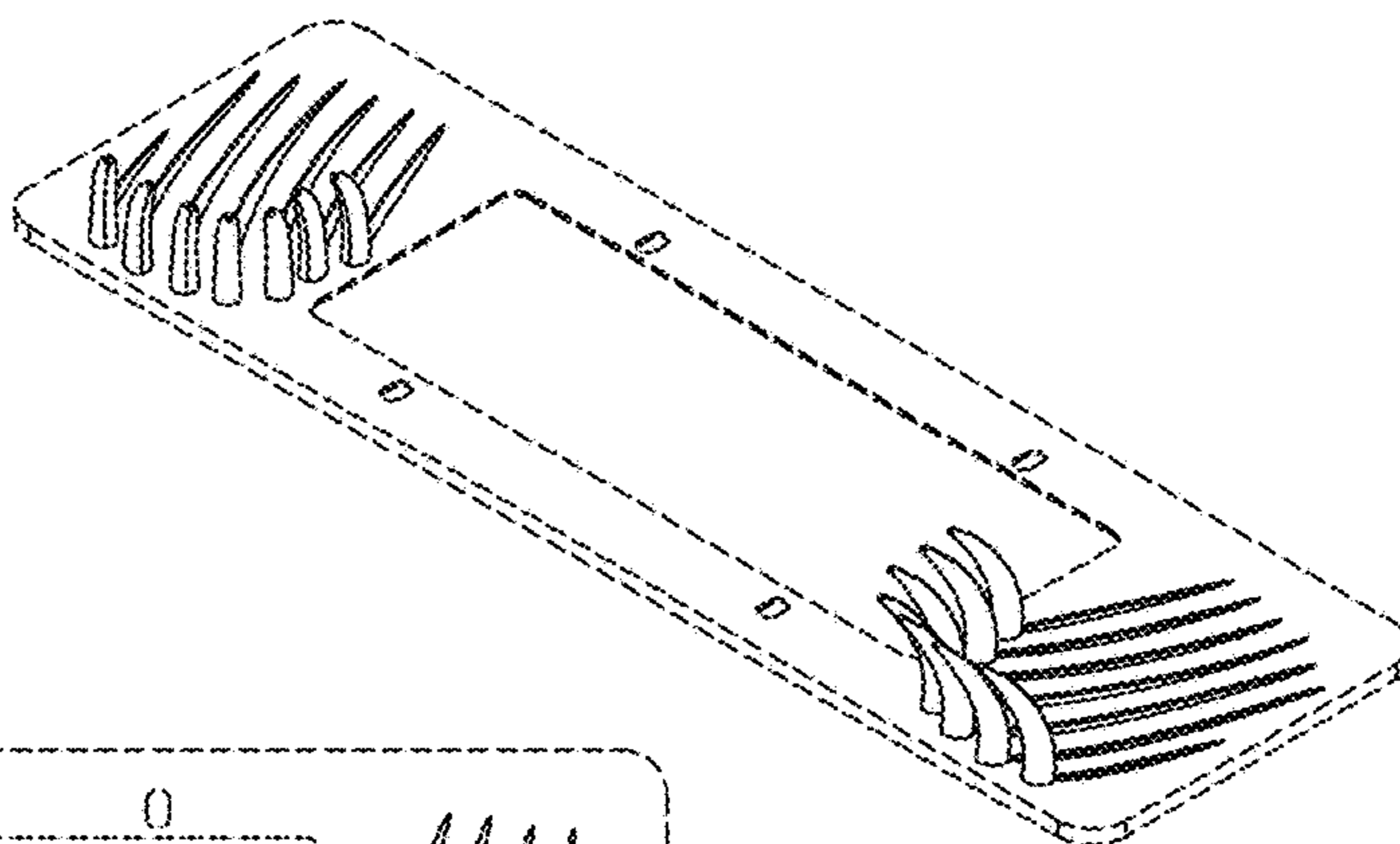


Fig. 44

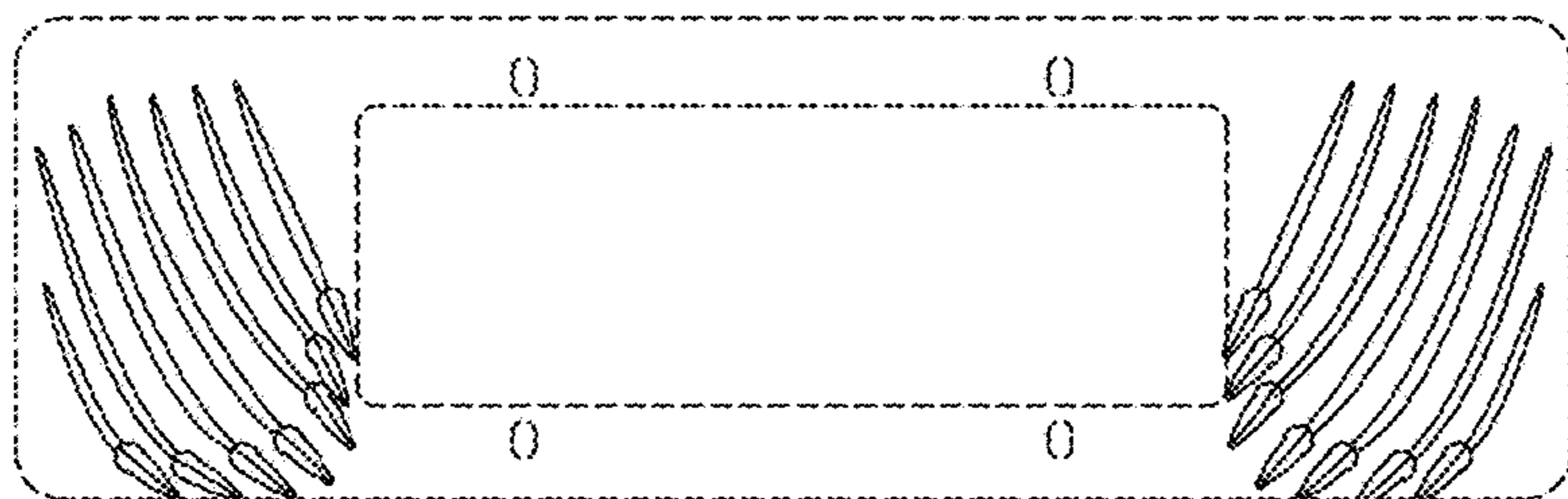


Fig. 43



Fig. 45

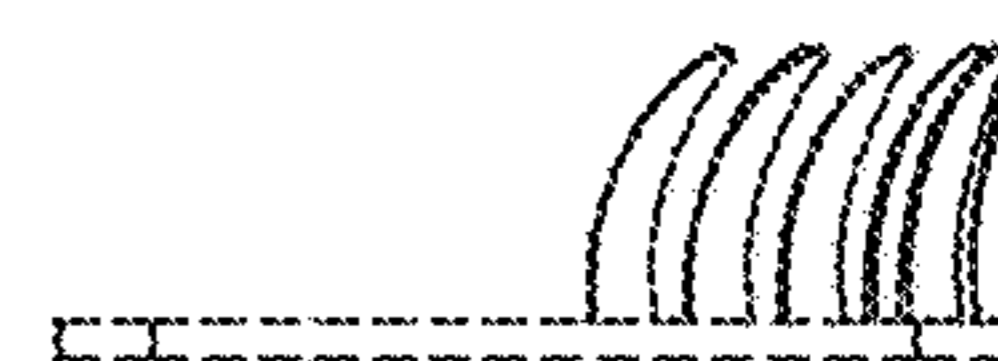


Fig. 46

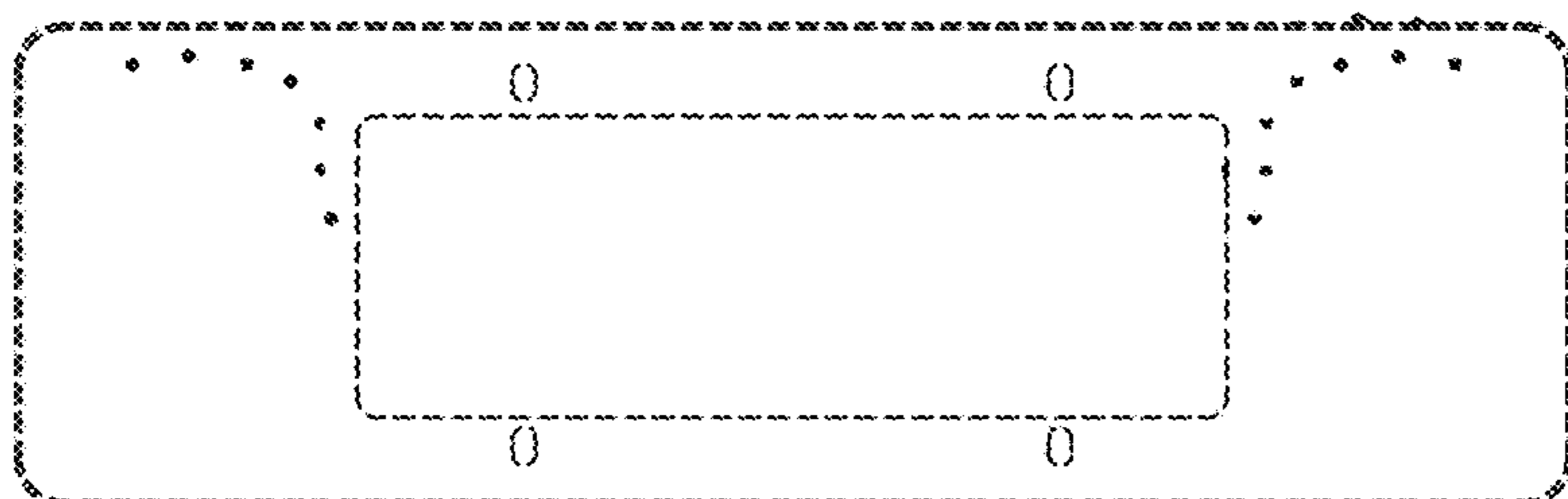


Fig. 47

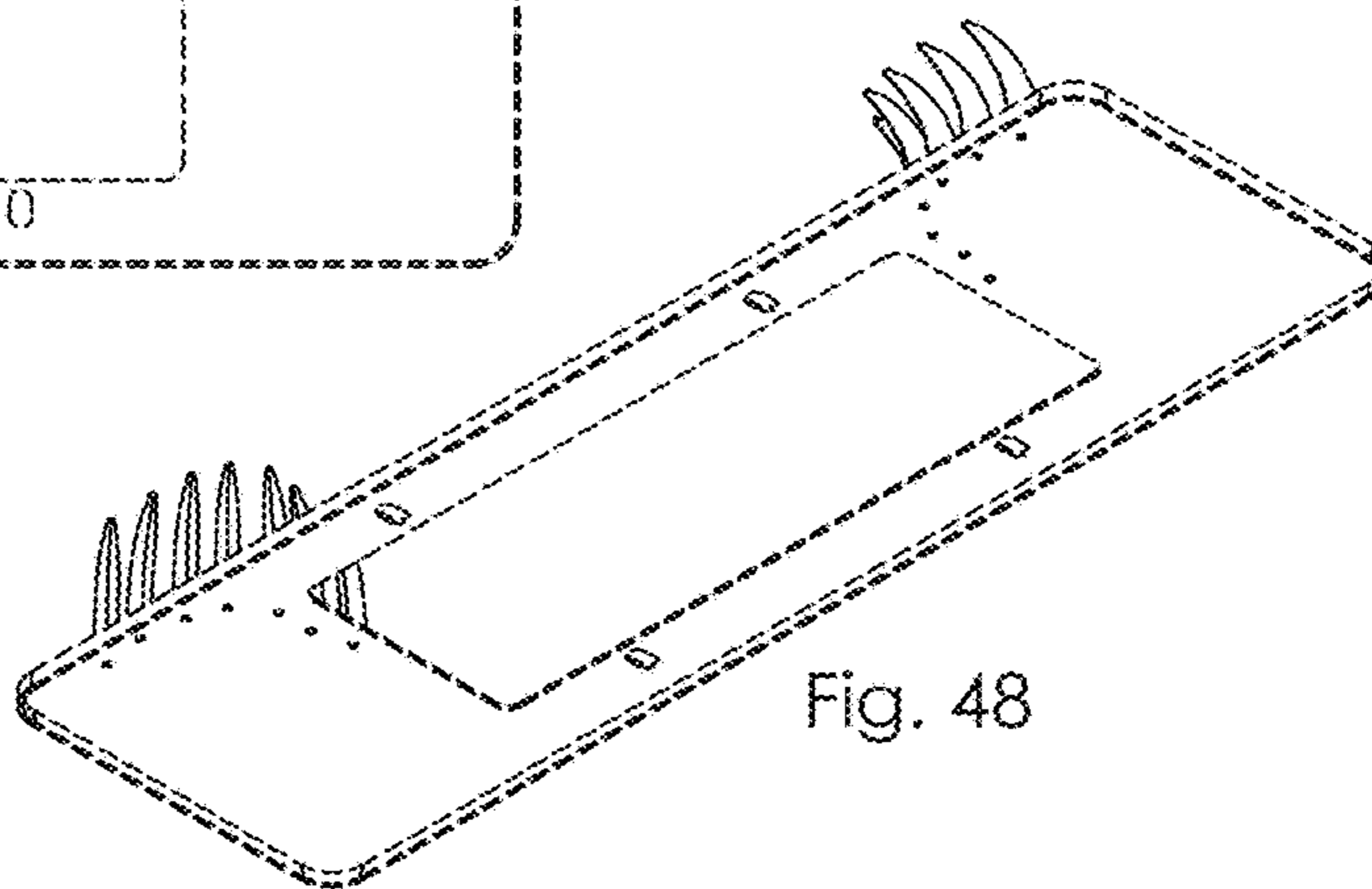


Fig. 48