



US00D895500S

(12) **United States Design Patent**
Nakao et al.

(10) **Patent No.:** **US D895,500 S**
(45) **Date of Patent:** **** Sep. 8, 2020**

(54) **INSTRUMENT PANEL FOR AUTOMOBILE**

(71) Applicant: **Nissan Motor Co., Ltd.**, Yokohama,
Kanagawa (JP)

(72) Inventors: **Akifumi Nakao**, Kanagawa (JP);
Mitsukuni Itou, Kanagawa (JP)

(73) Assignee: **Nissan Motor Co., Ltd.**, Yokohama
(JP)

(**) Term: **15 Years**

(21) Appl. No.: **29/663,221**

(22) Filed: **Sep. 13, 2018**

(30) **Foreign Application Priority Data**

Mar. 15, 2018 (JP) 2018-005502

(51) **LOC (12) Cl.** **12-16**

(52) **U.S. Cl.**
USPC **D12/192**

(58) **Field of Classification Search**
USPC D12/192, 415, 418, 419, 110, 114, 345;
D10/46, 98, 102, 103, 122-127; D15/17,
D15/29

CPC G08G 1/096883; G01C 21/16; G01C
21/3668; G01C 21/30

See application file for complete search history.

(56) **References Cited**

U.S. PATENT DOCUMENTS

D697,849 S * 1/2014 Tanaka D12/192
D730,793 S * 6/2015 Ishikawa D12/192
D737,186 S * 8/2015 Nakao D12/192
D756,279 S * 5/2016 Shouno D12/192
D771,541 S * 11/2016 Shouno D12/192

D791,664 S * 7/2017 Igarashi D12/192
D803,743 S * 11/2017 Igarashi D12/192
D807,266 S * 1/2018 Hasegawa D12/192
D810,643 S * 2/2018 Takamura D12/192
D813,769 S * 3/2018 Yaguchi D12/192
D819,533 S * 6/2018 Choi D12/192
D830,927 S * 10/2018 Tanaka D12/192
D847,054 S * 4/2019 Yamada D12/192
D847,056 S * 4/2019 Myoi D12/192
D847,058 S * 4/2019 Ohtake D12/192
D853,918 S * 7/2019 Satou D12/192
D853,919 S * 7/2019 Hazumi D12/192

* cited by examiner

Primary Examiner — Susan E Krakower

Assistant Examiner — Jerry Shiu-an-Hua Hsu

(74) *Attorney, Agent, or Firm* — Global IP Counselors,
LLP

(57) **CLAIM**

The ornamental design for an instrument panel for an automobile, as shown and described.

DESCRIPTION

FIG. 1 is a front elevational view of an instrument panel for an automobile in accordance with our new design, the mirror image of which is similarly understood and considered part of the claim;

FIG. 2 is a top plan view thereof;

FIG. 3 is a bottom plan view thereof;

FIG. 4 is a left side elevational view thereof;

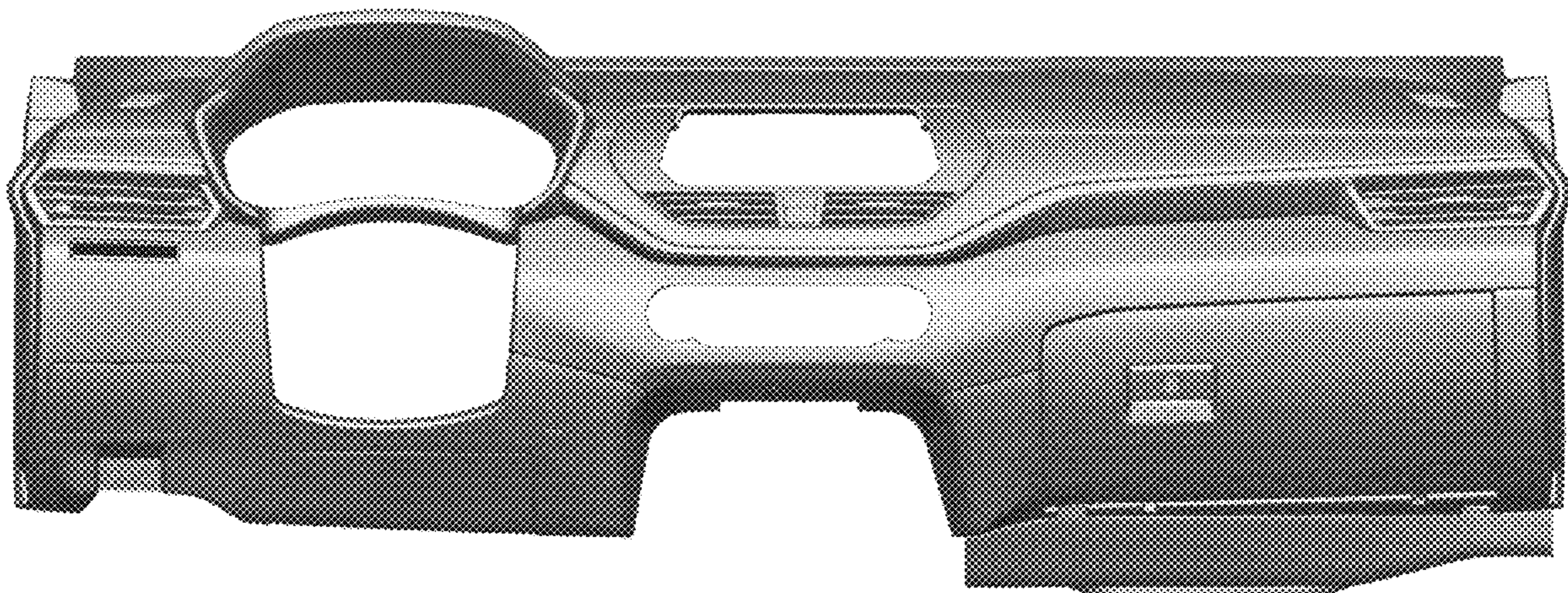
FIG. 5 is a right side elevational view thereof;

FIG. 6 is a front, top, left perspective view thereof; and,

FIG. 7 is a front, top, right perspective view thereof.

The broken lines illustrate portions of the instrument panel for an automobile that form no part of the claimed design.

1 Claim, 7 Drawing Sheets



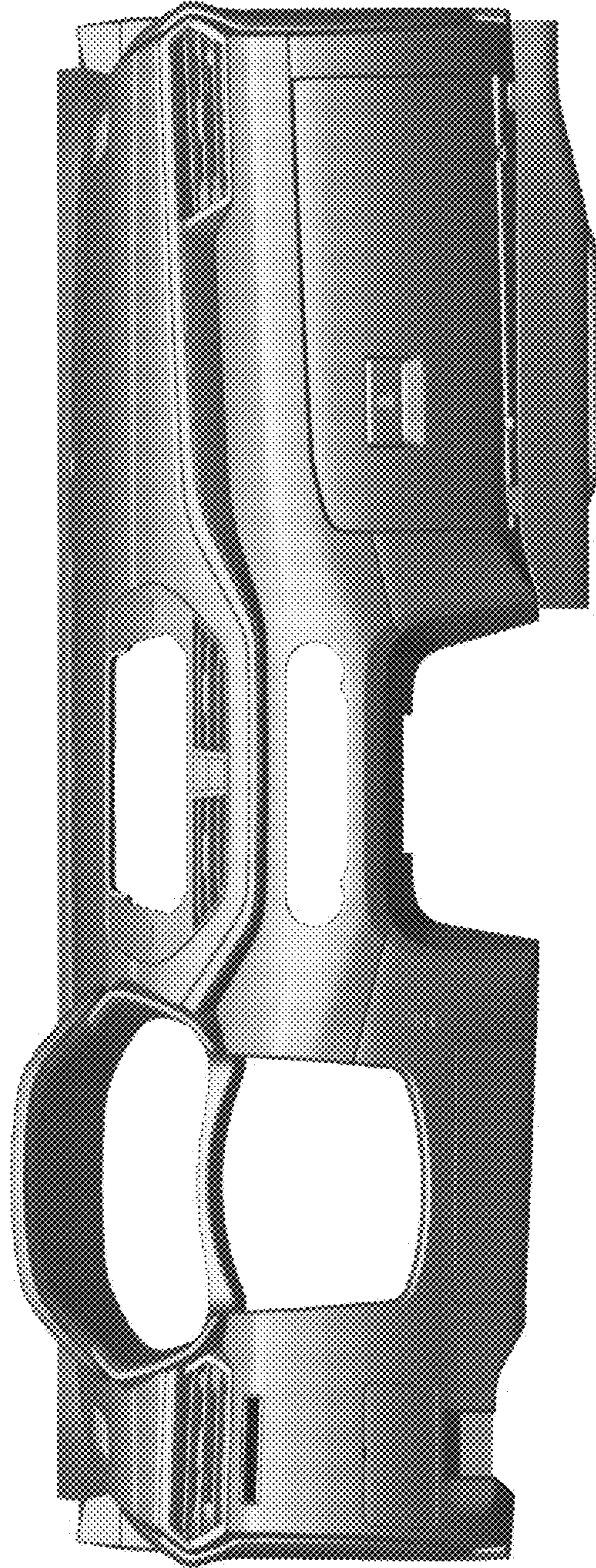


FIG. 1

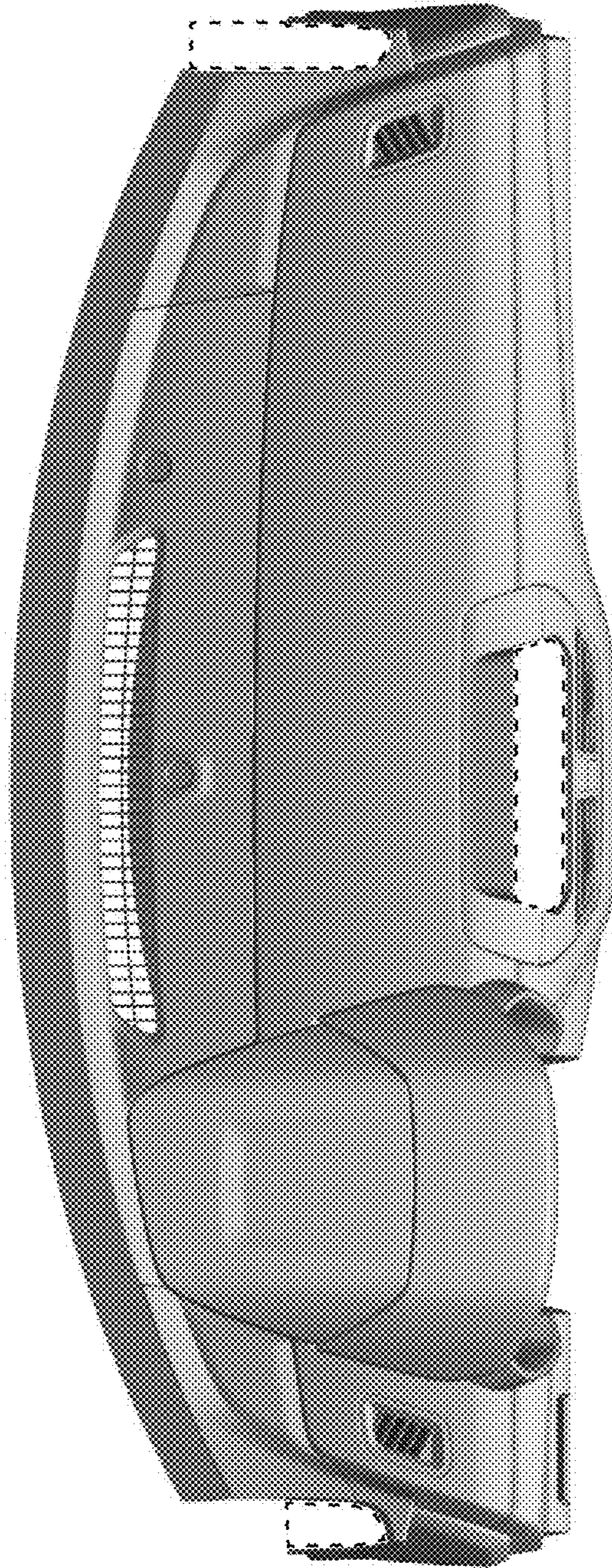


FIG. 2

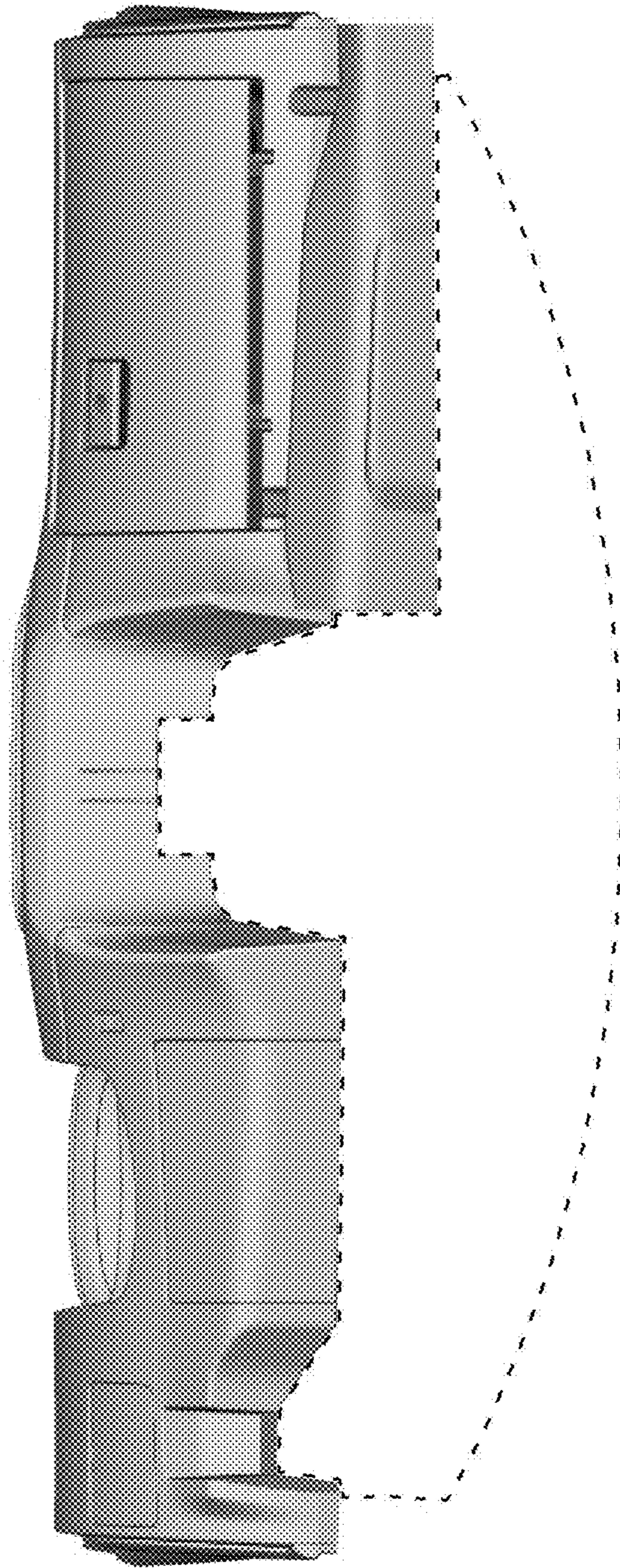


FIG. 3

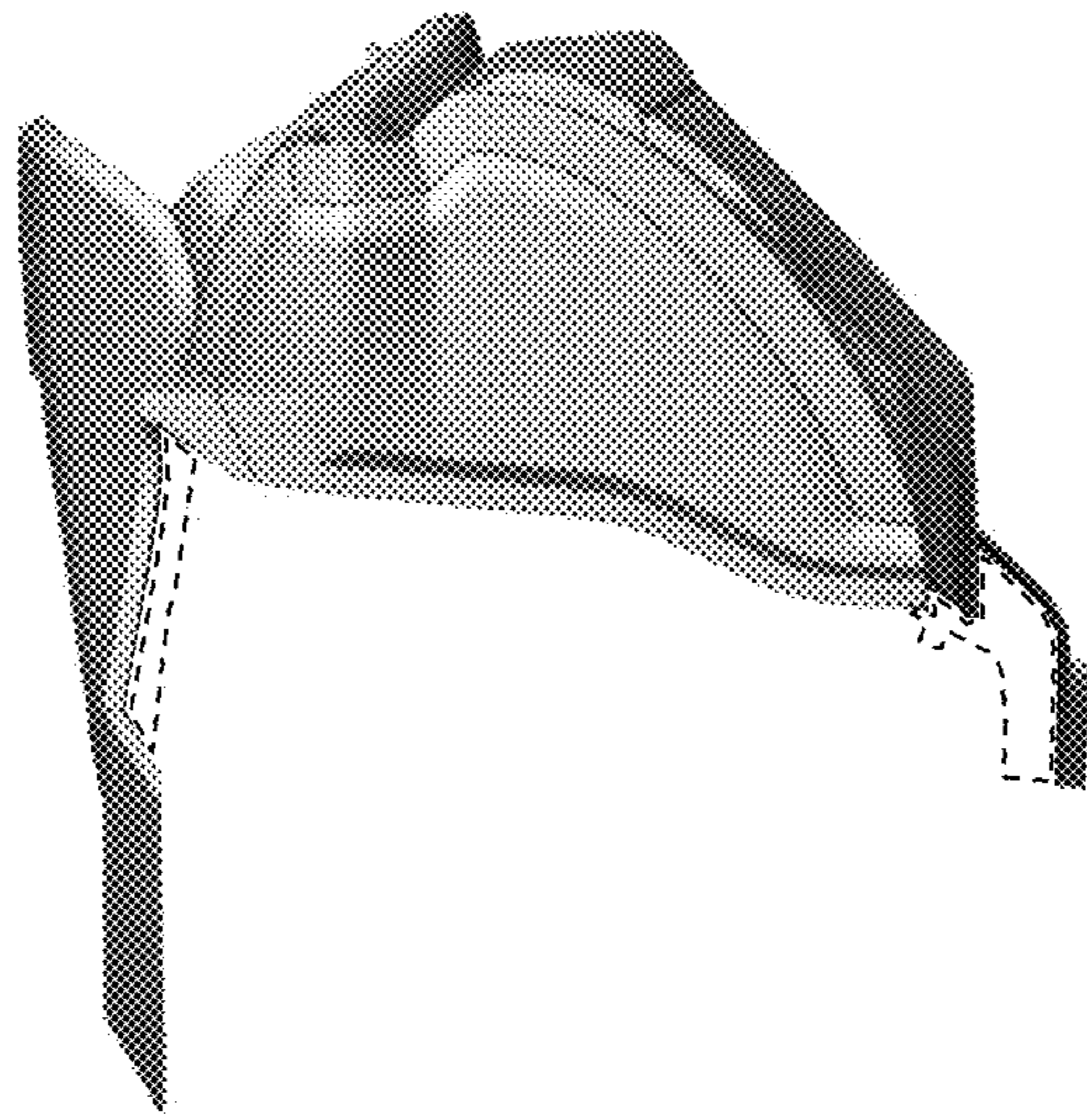


FIG. 4

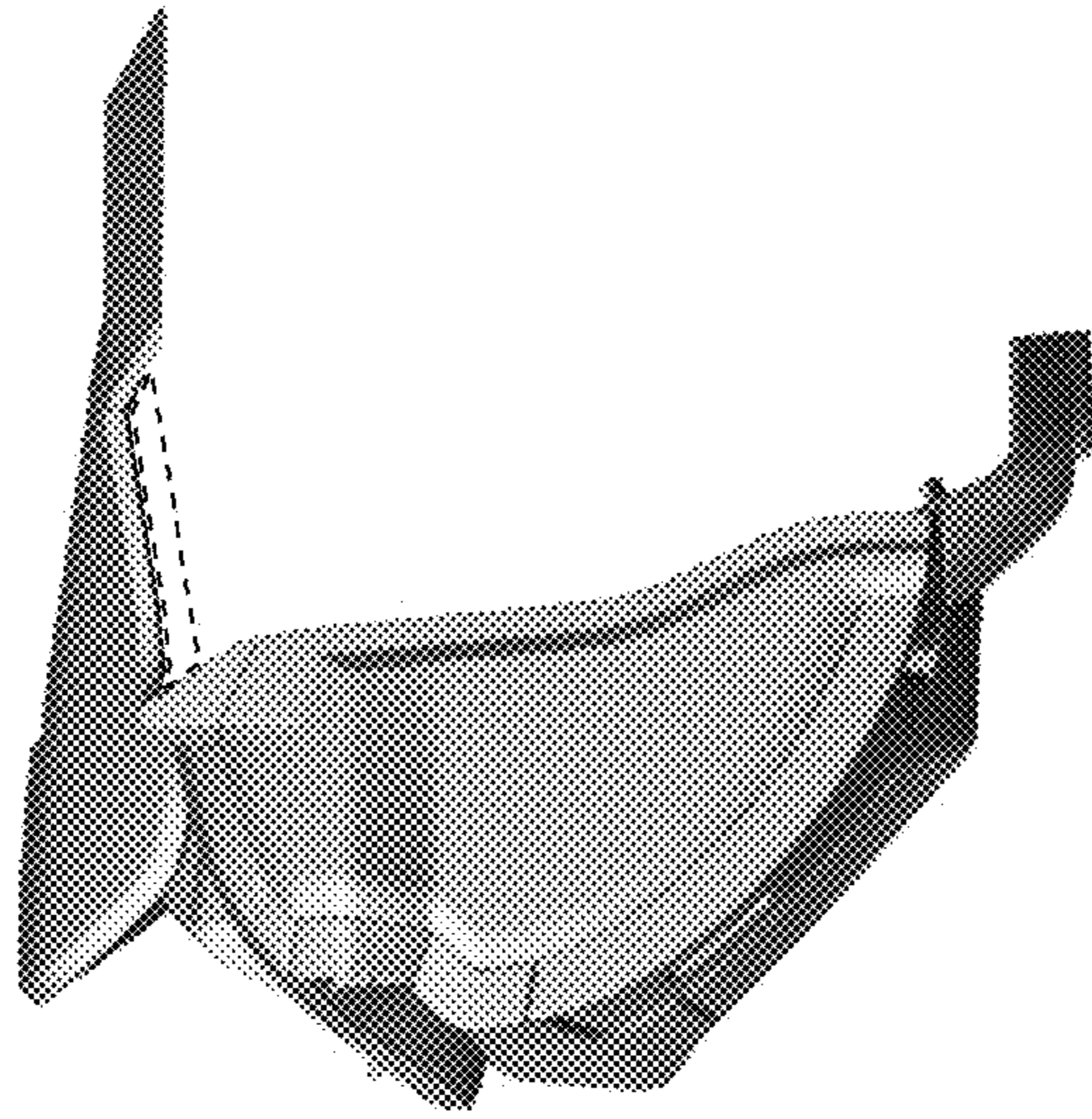


FIG. 5

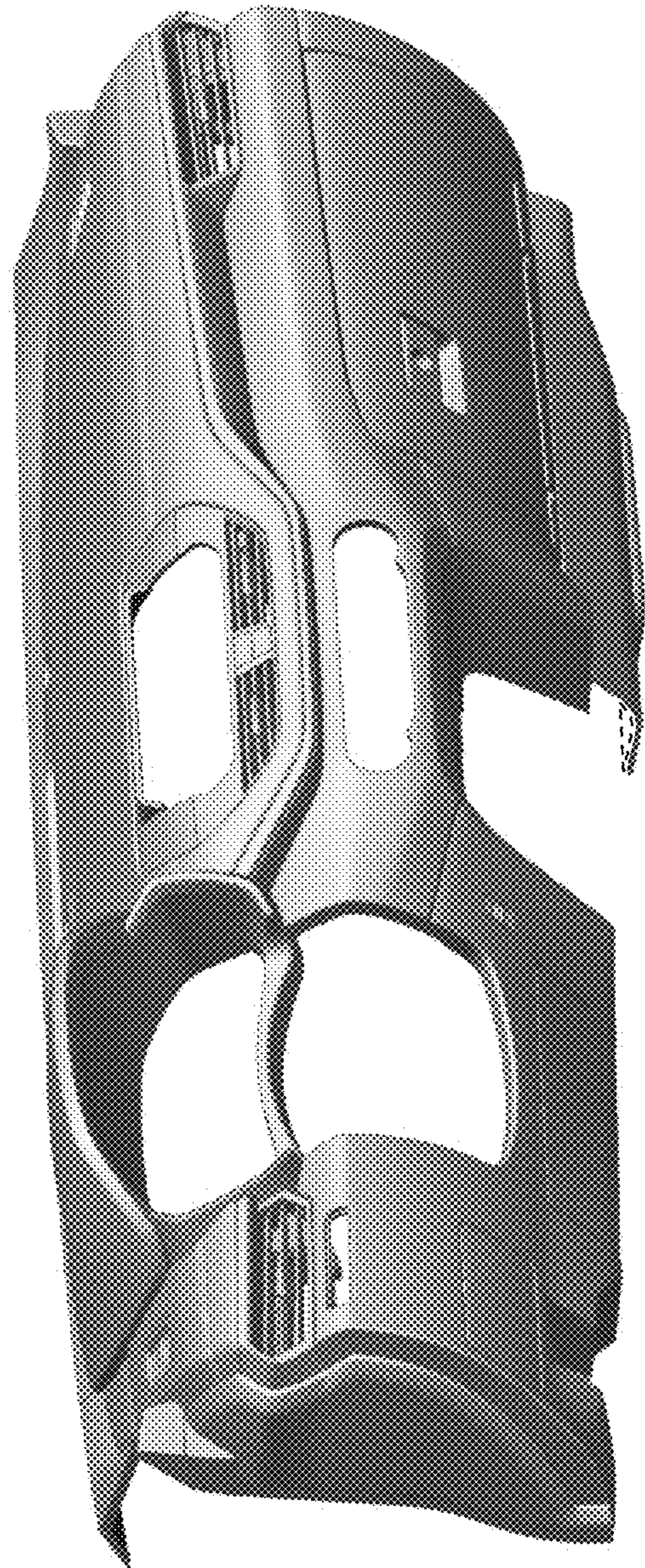


FIG. 6

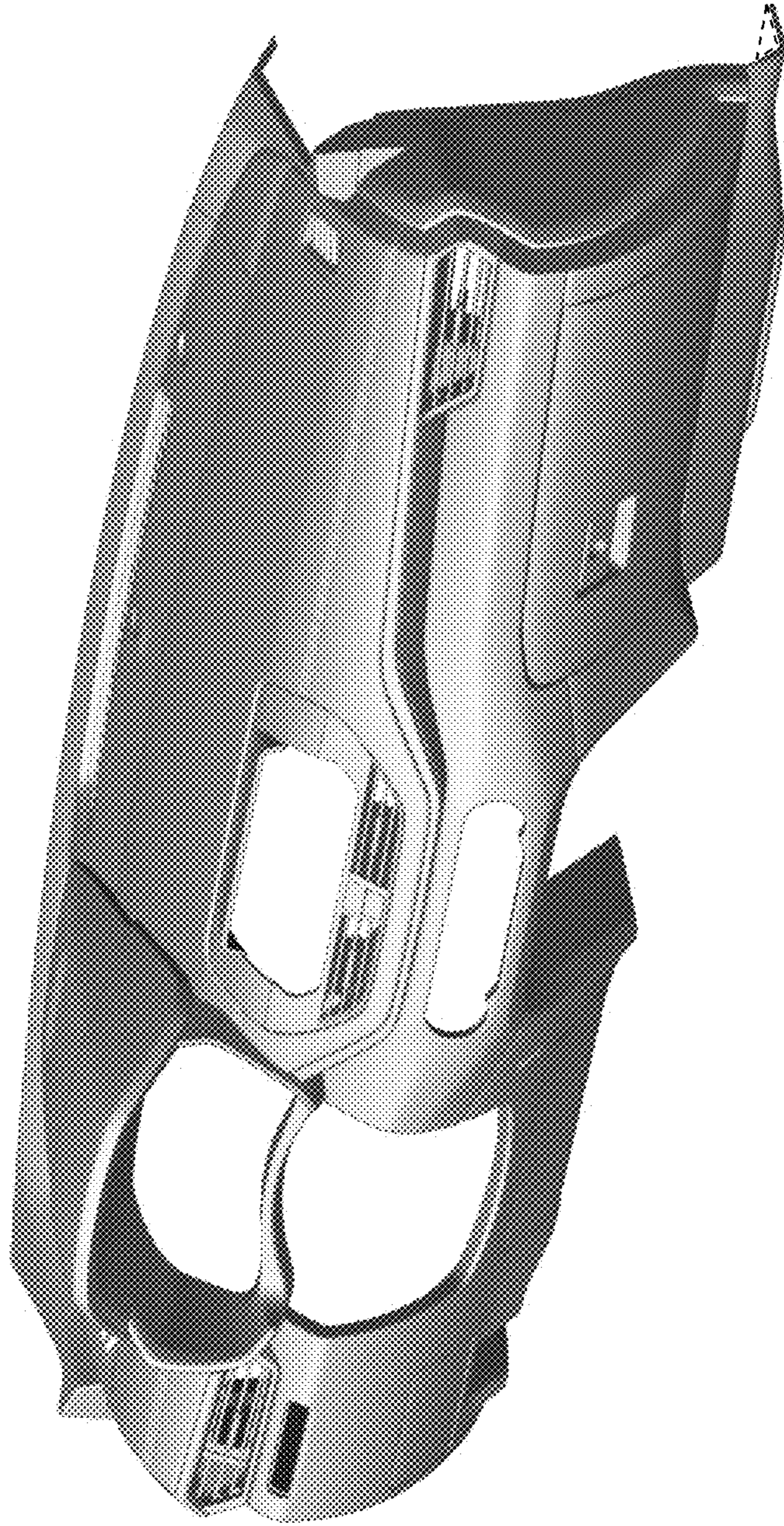


FIG. 7