



US00D895496S

(12) **United States Design Patent**
Fish, Jr. et al.

(10) **Patent No.:** **US D895,496 S**

(45) **Date of Patent:** **** Sep. 8, 2020**

(54) **BUTTON DISPLAY FOR A VEHICLE**

(71) Applicant: **Gentex Corporation**, Zeeland, MI (US)

(72) Inventors: **Richard T. Fish, Jr.**, Hudsonville, MI (US); **Luke A. Bomers**, Grandville, MI (US); **Bradley R. Hamlin**, Allendale, MI (US)

(73) Assignee: **GENTEX CORPORATION**, Zeeland, MI (US)

(**) Term: **15 Years**

(21) Appl. No.: **29/675,966**

(22) Filed: **Jan. 7, 2019**

(51) **LOC (12) Cl.** **12-08**

(52) **U.S. Cl.**
USPC **D12/190**

(58) **Field of Classification Search**
USPC D14/126, 127-129, 133, 374, 388, 389;
D12/114, 192, 400, 415, 421; D10/46,
D10/98, 102, 103
CPC B60K 2350/2004; B60K 2350/2008; B60K
2350/1056; B60K 2350/206; B60K 37/00;
B60K 37/04; B60R 2300/205; B60R
2300/207

See application file for complete search history.

(56) **References Cited**

U.S. PATENT DOCUMENTS

D327,061 S	6/1992	Soren et al.	
D348,674 S	7/1994	Lindeman et al.	
D441,703 S	5/2001	Rumsey et al.	
D450,281 S	11/2001	Ypma et al.	
D451,869 S	12/2001	Knapp et al.	
6,471,362 B1	10/2002	Carter et al.	
D466,456 S	12/2002	Carter et al.	
D524,207 S *	7/2006	Seidel	D12/192
D543,916 S	6/2007	Carter et al.	
D543,917 S	6/2007	Carter et al.	

D737,227 S	8/2015	Hamlin	
D765,610 S	9/2016	Hamlin	
D776,590 S *	1/2017	Womack, Sr.	D12/192
D778,205 S	2/2017	Roth	
D778,337 S	2/2017	Roth	
D848,919 S *	5/2019	Kang	D12/192
D863,204 S *	10/2019	Ryou	D12/415

* cited by examiner

Primary Examiner — Abraham Bahta

(74) *Attorney, Agent, or Firm* — Price Heneveld LLP;
Bradley D. Johnson

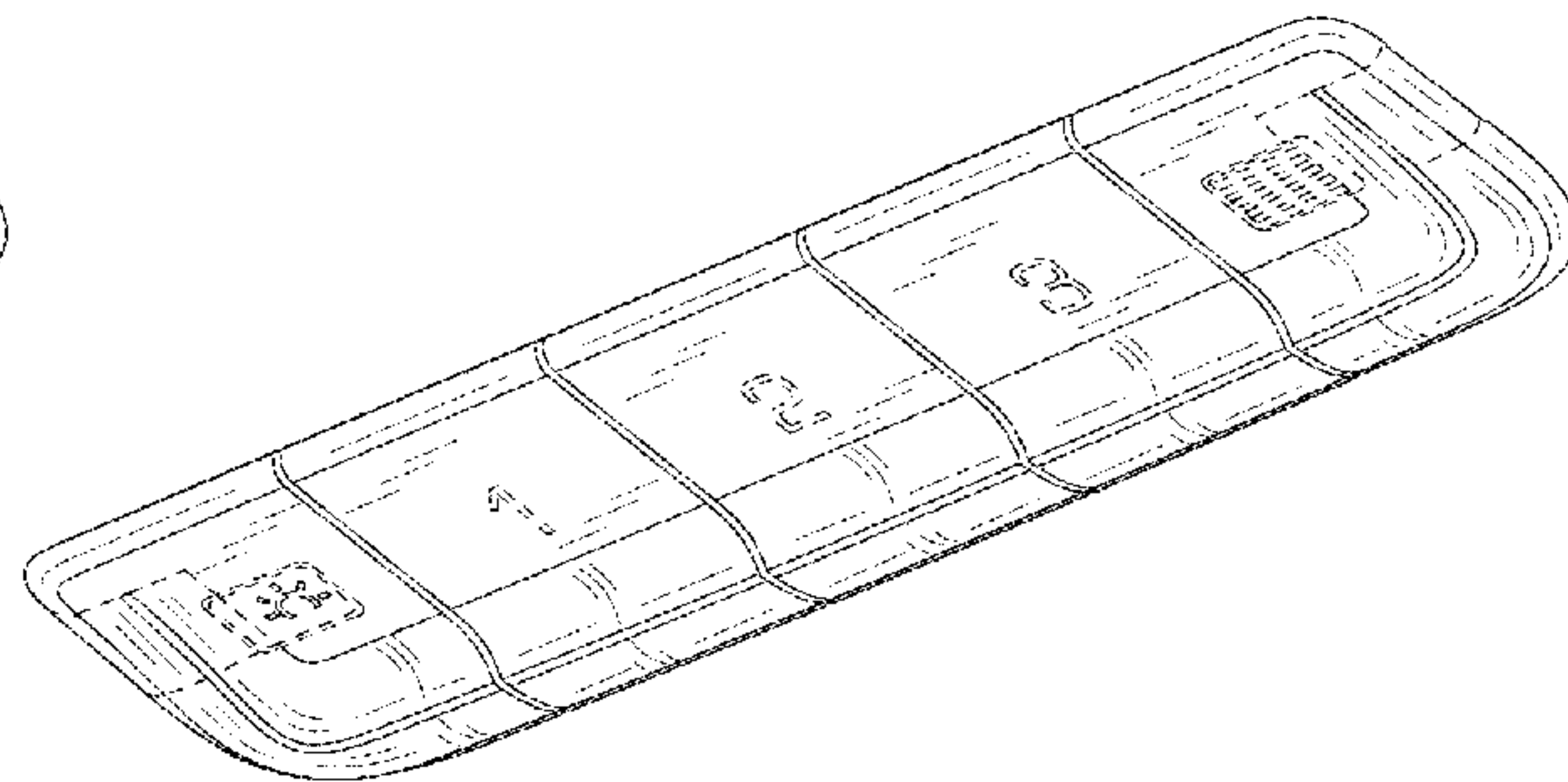
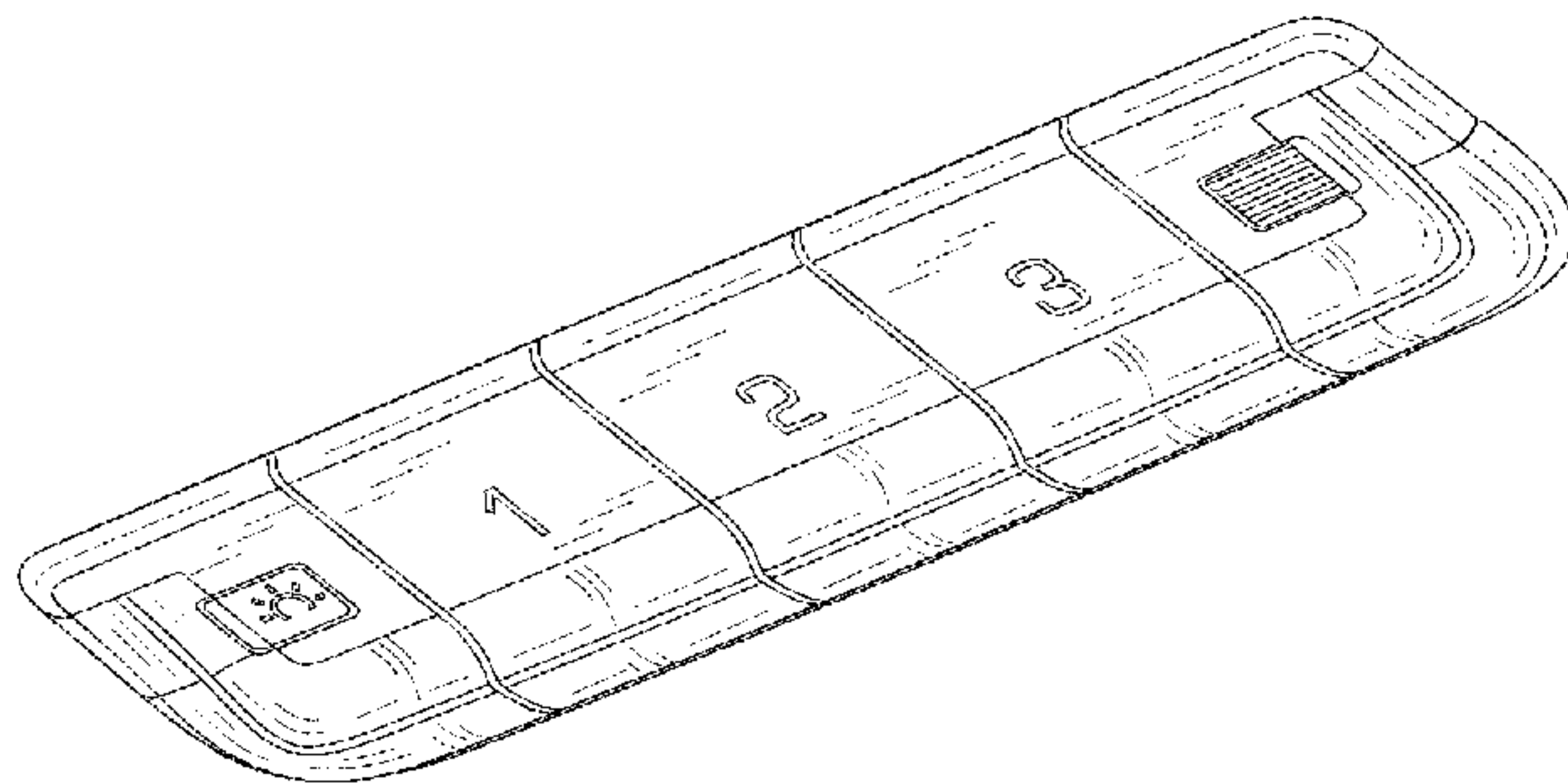
(57) **CLAIM**

The ornamental design for a button display for a vehicle, as shown and described.

DESCRIPTION

FIG. 1 is a front side perspective view of a button display for a vehicle of the present disclosure;
 FIG. 2 is a rear side perspective view of the button display of FIG. 1;
 FIG. 3 is a bottom elevational view of the button display of FIG. 1;
 FIG. 4 is a front perspective view of the button display of FIG. 1;
 FIG. 5 is a rear perspective view of the button display of FIG. 1;
 FIG. 6 is a front side perspective view of a button display of the present disclosure;
 FIG. 7 is a rear side perspective view of the button display of FIG. 6;
 FIG. 8 is a bottom elevational view of the button display of FIG. 6;
 FIG. 9 is a front perspective view of the button display of FIG. 6; and,
 FIG. 10 is a rear perspective view of the button display of FIG. 6.
 The broken lines depict portions of the article that form no part of the claimed design.

1 Claim, 8 Drawing Sheets



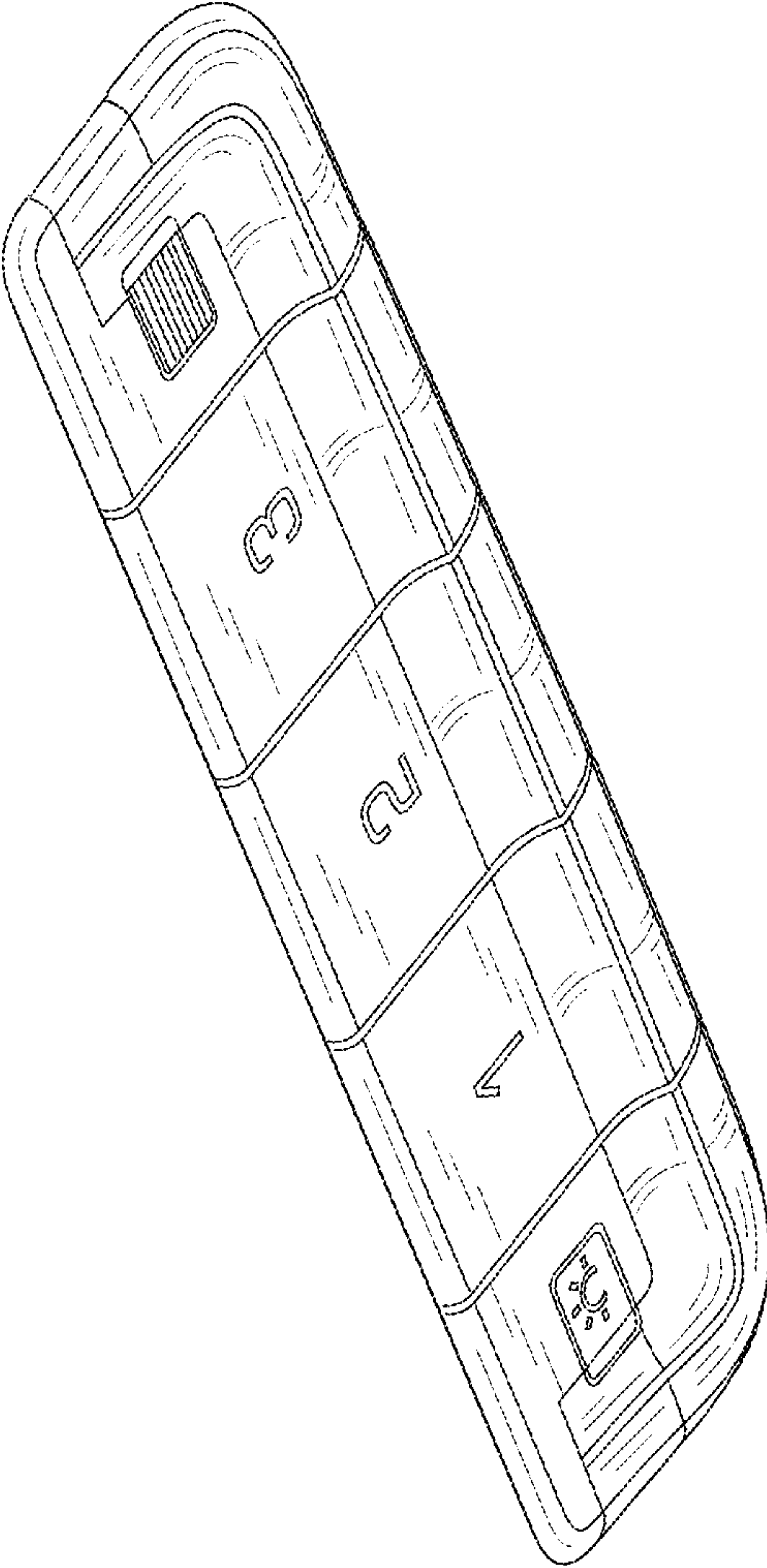


FIG. 1

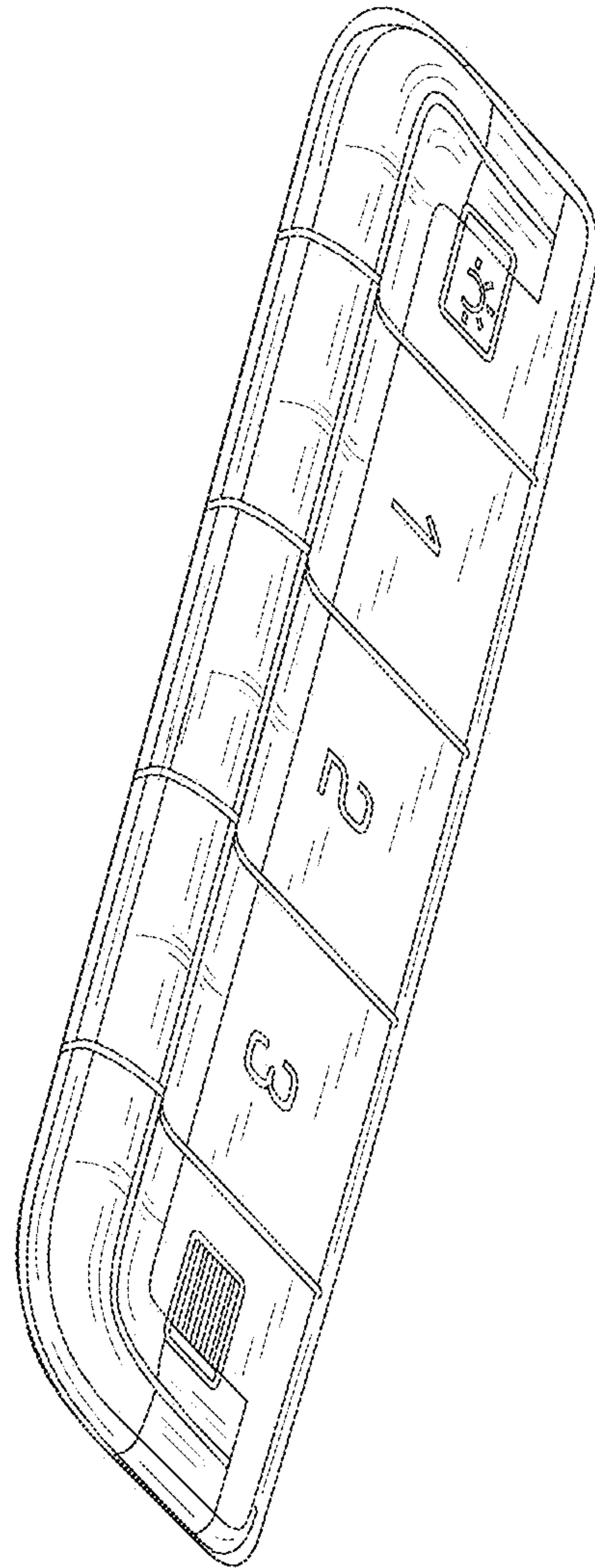


FIG. 2

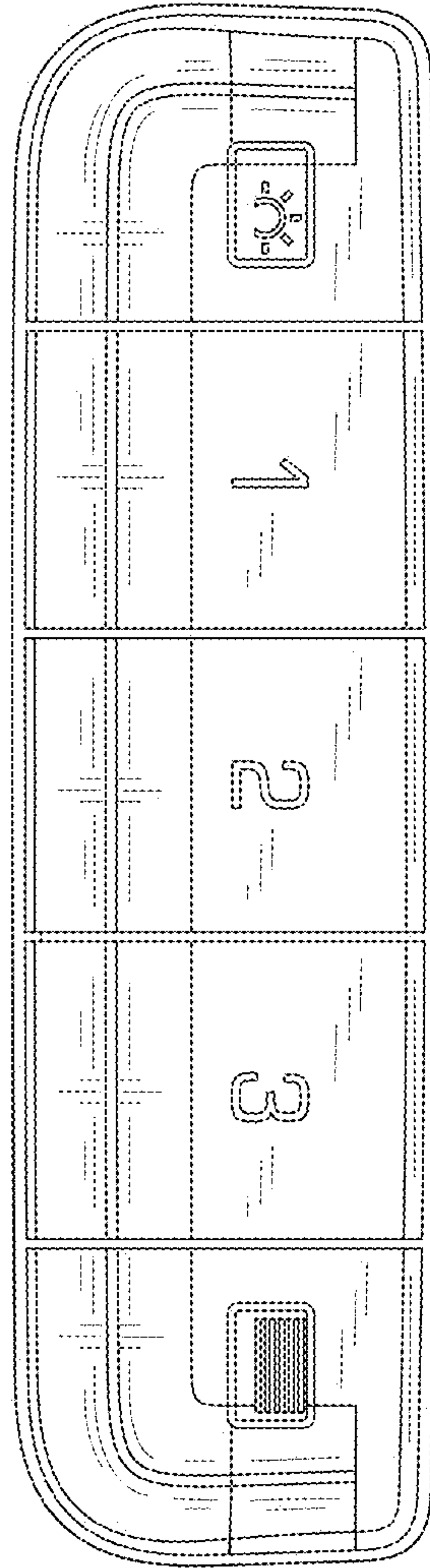


FIG. 3

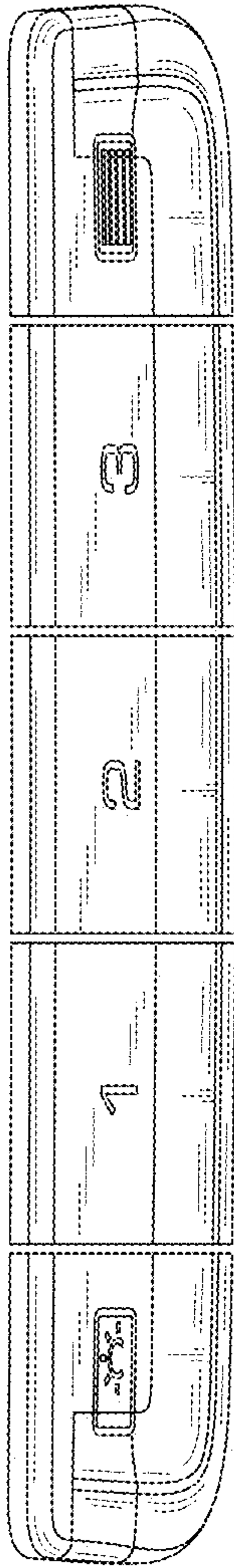


FIG. 4

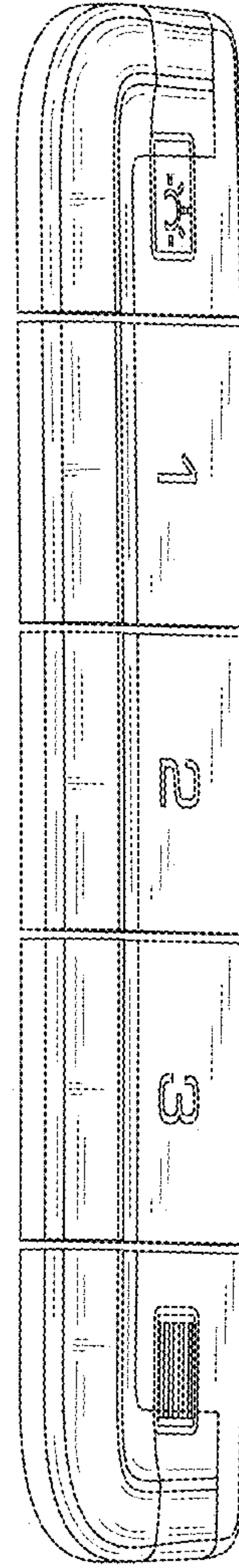


FIG. 5

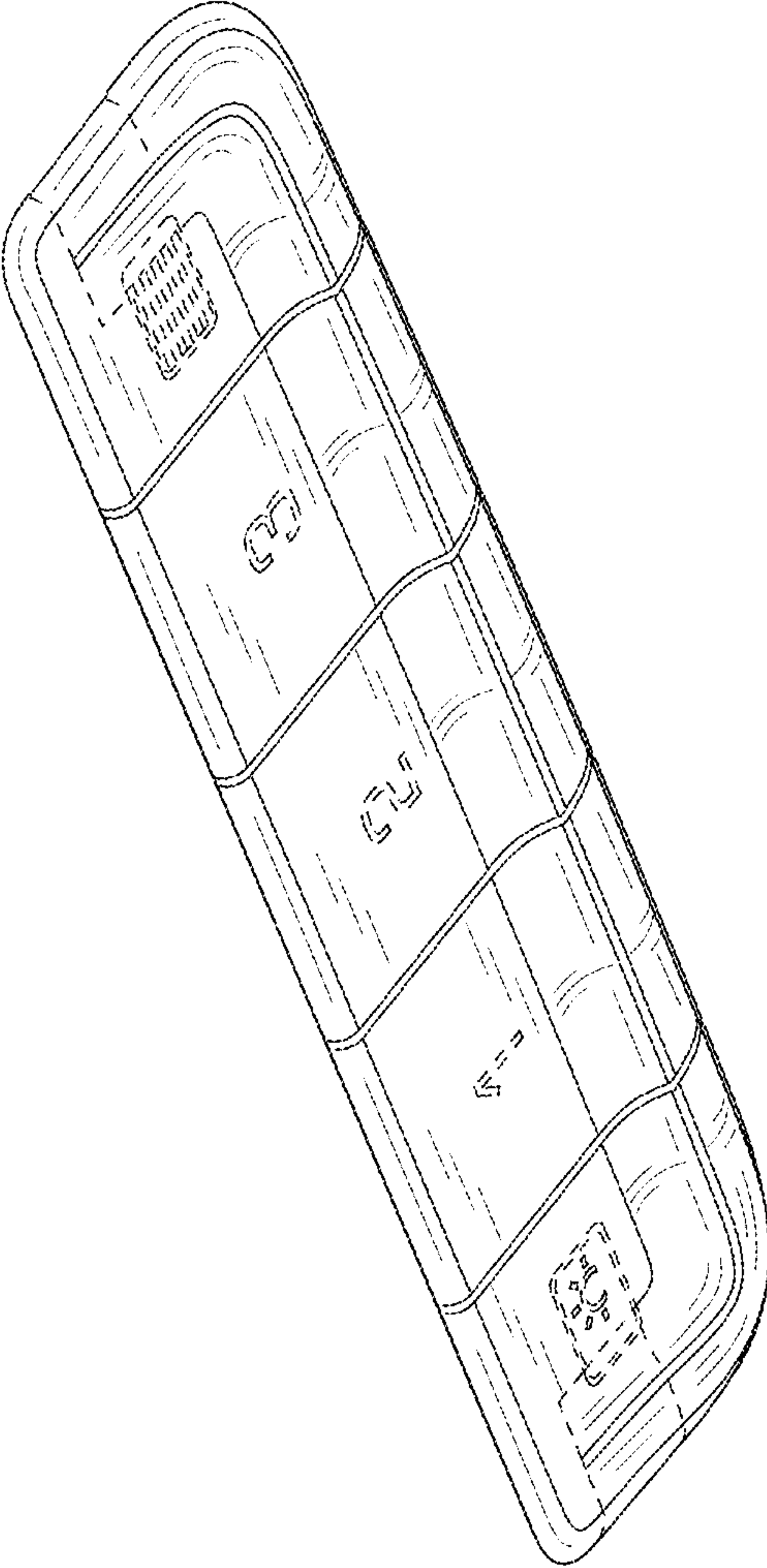


FIG. 6

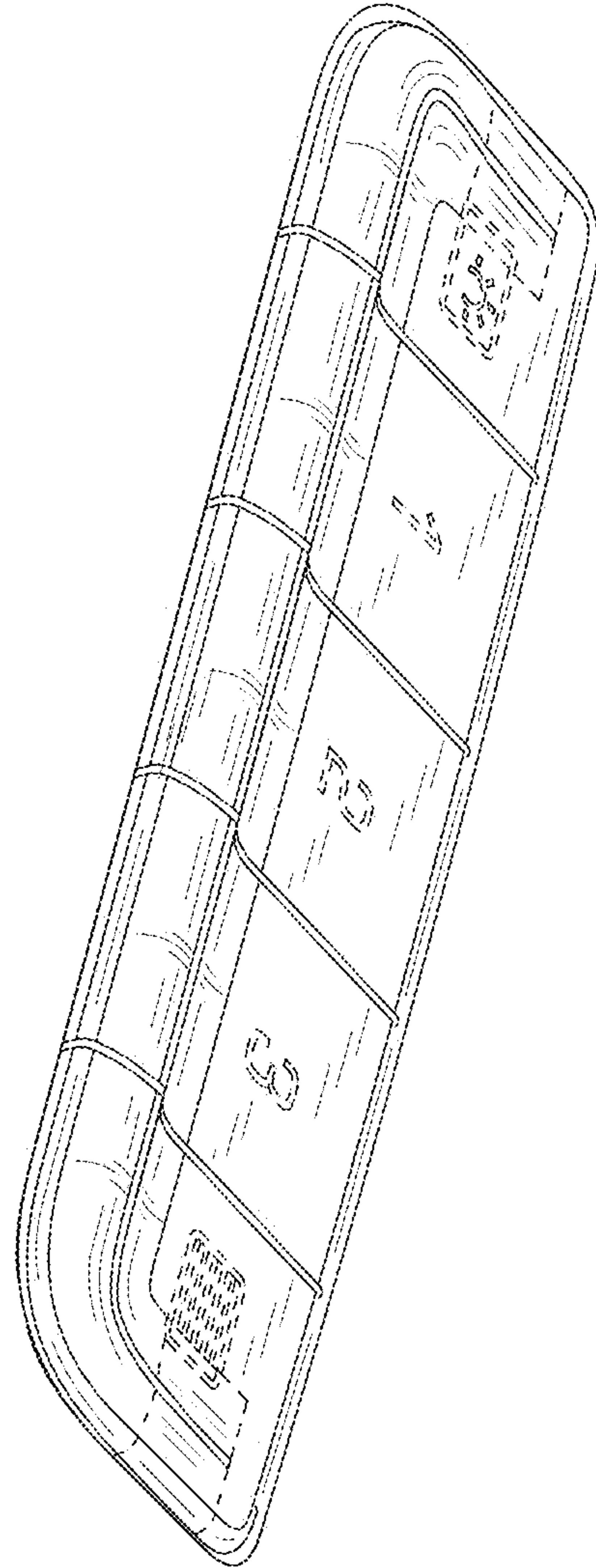


FIG. 7

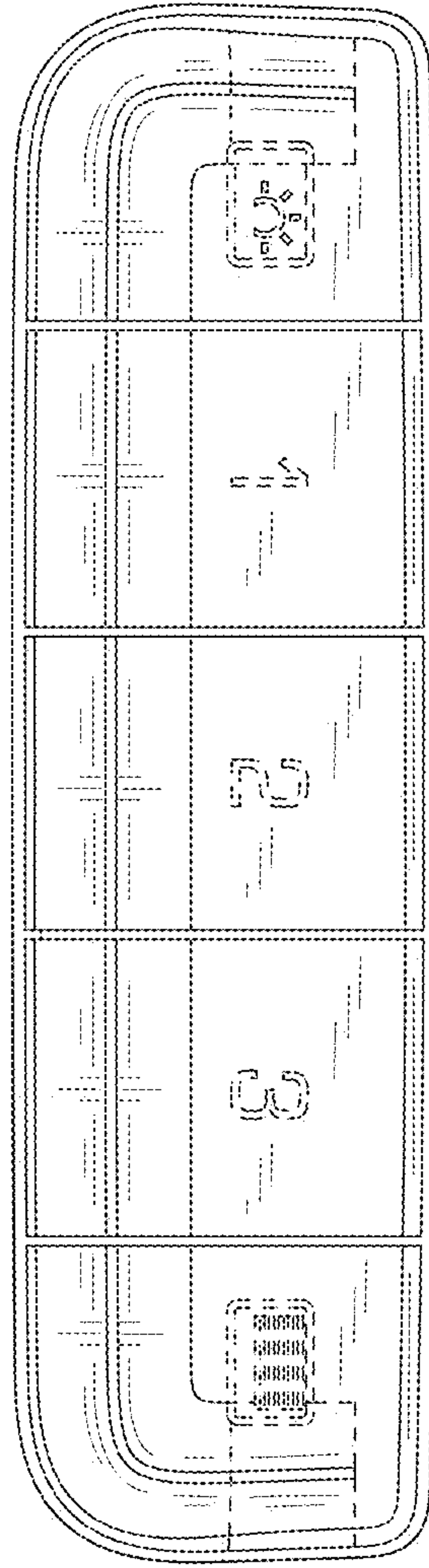


FIG. 8

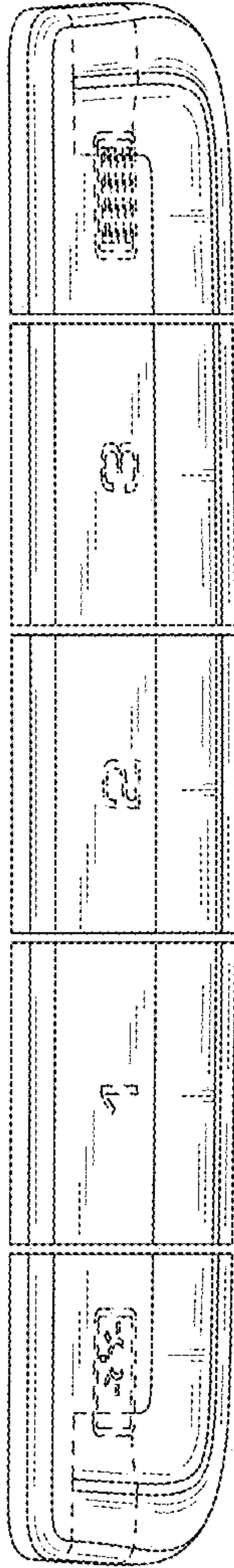


FIG. 9

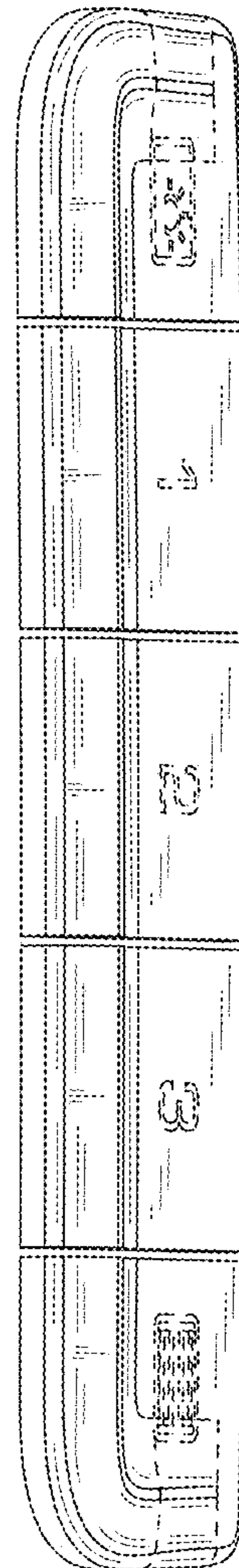


FIG. 10