



US00D895493S

(12) **United States Design Patent** (10) **Patent No.:** **US D895,493 S**
Fidler (45) **Date of Patent:** **** Sep. 8, 2020**

- (54) **RECREATIONAL VEHICLE GRILL**
- (71) Applicant: **Furrion Property Holding Limited,**
Hong Kong (HK)
- (72) Inventor: **Matthew David Fidler,** Hong Kong
(HK)
- (73) Assignee: **Furrion Property Holding Limited,**
Hong Kong (HK)
- (**) Term: **15 Years**
- (21) Appl. No.: **29/677,776**
- (22) Filed: **Jan. 23, 2019**

D452,464 S *	12/2001	Beigel	D12/163
D455,381 S *	4/2002	Maher	D12/163
D459,411 S	6/2002	Berger	
D460,721 S	7/2002	Rex	
D510,299 S	10/2005	Gunby	
D516,955 S	3/2006	Gunby	
D522,936 S *	6/2006	Beigel	D12/163
7,100,967 B2	9/2006	Shea	
D531,549 S	11/2006	Gunby	
D532,719 S	11/2006	Gunby	
D533,115 S	12/2006	Delamour	
D542,715 S *	5/2007	Beigel	D12/96
D545,730 S *	7/2007	Lee	D12/163
D551,599 S *	9/2007	Simons	D12/163
D551,600 S *	9/2007	Simons	D12/163
D558,643 S *	1/2008	Beigel	D12/96
7,500,690 B2	3/2009	Hermon et al.	
D592,561 S *	5/2009	Otto	D12/163
7,644,971 B1	1/2010	Ludwick	

(Continued)

Related U.S. Application Data

- (63) Continuation of application No. 29/604,339, filed on
May 17, 2017, now Pat. No. Des. 844,491.
- (51) **LOC (12) Cl.** **12-16**
- (52) **U.S. Cl.**
USPC **D12/163**
- (58) **Field of Classification Search**
USPC D12/86, 90, 91, 92, 163, 169, 196, 171,
D12/216; D15/31
CPC . B60R 19/52; B60R 2019/525; B60K 11/085;
B62D 25/084; H01Q 1/32
See application file for complete search history.

Primary Examiner — Darlington Ly

(74) *Attorney, Agent, or Firm* — Faegre Drinker Biddle & Reath LLP

(57) **CLAIM**

The ornamental design for a recreational vehicle grille, as shown and described.

DESCRIPTION

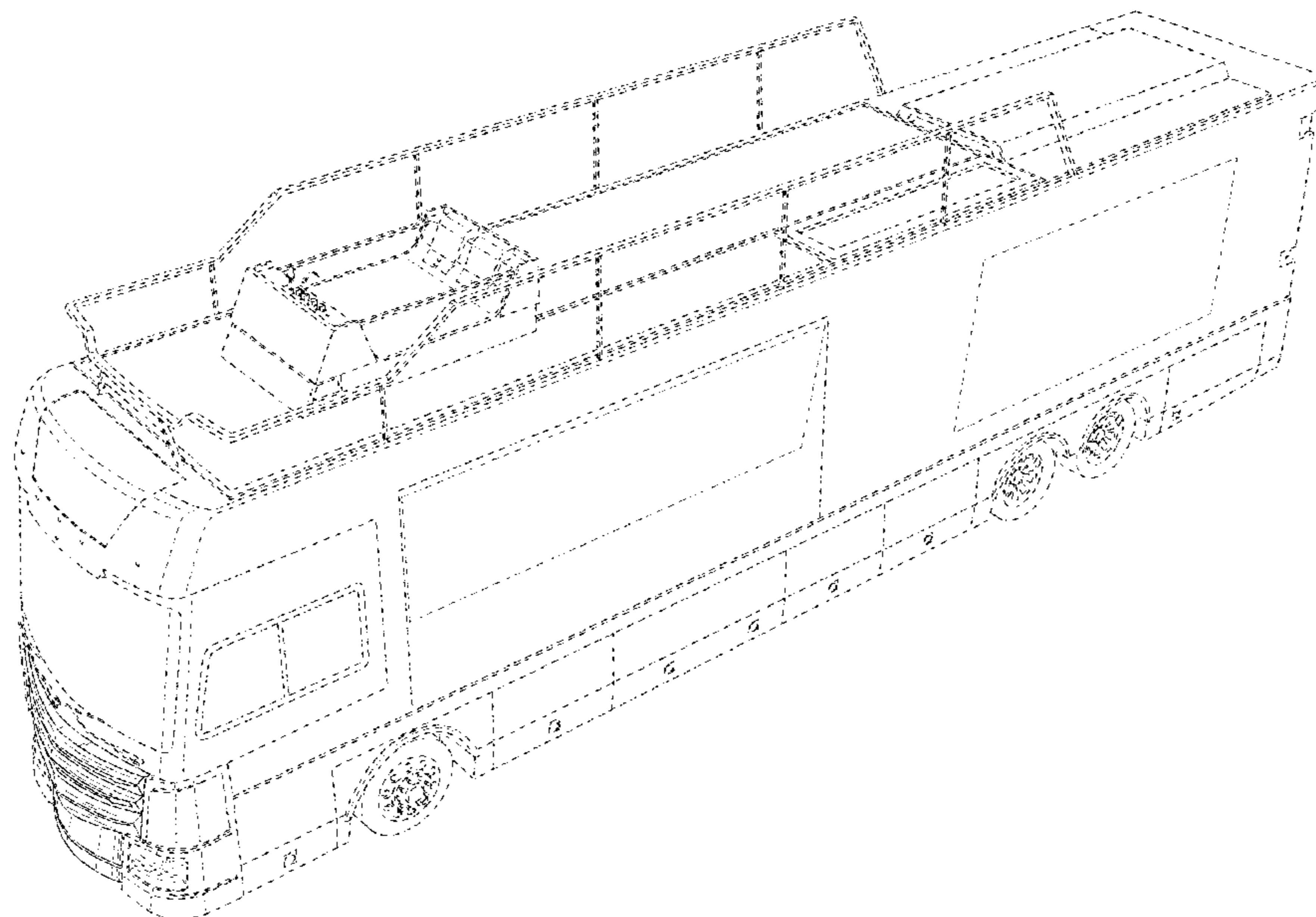
FIG. 1 is a front perspective view of a recreational vehicle grille;
 FIG. 2 is a front view thereof;
 FIG. 3 is a rear view thereof;
 FIG. 4 is a left side view thereof;
 FIG. 5 is a right side view thereof;
 FIG. 6 is a top view thereof; and,
 FIG. 7 is a bottom view thereof.
 The broken line showing portions of the recreational vehicle is provided for the purpose of illustrating environmental structure and form no part of the claimed design.

(56) **References Cited**

U.S. PATENT DOCUMENTS

D323,476 S	1/1992	Shea, Sr.	
D338,432 S	8/1993	Slayter et al.	
D376,562 S	12/1996	Sealy et al.	
5,785,373 A	7/1998	Futrell et al.	
D419,921 S	2/2000	Mishler	
D447,099 S *	8/2001	Tirey	D12/163
D449,797 S	10/2001	Gerzeny et al.	

1 Claim, 7 Drawing Sheets



(56)

References Cited

U.S. PATENT DOCUMENTS

D614,536 S	4/2010	Schneider	
D619,054 S *	7/2010	Beigel	D12/163
D627,692 S *	11/2010	Cheng	D12/163
D637,530 S *	5/2011	Aris	D12/163
D640,175 S *	6/2011	Villamizar	D12/163
D645,797 S *	9/2011	Beigel	D12/163
D647,827 S *	11/2011	Medina	D12/163
D649,089 S	11/2011	Marchi	
D663,653 S	7/2012	Marchi	
D678,822 S	3/2013	Armigliato et al.	
8,511,741 B2	8/2013	Engelbrecht et al.	
D691,072 S *	10/2013	Cheng	D12/163
D698,288 S *	1/2014	Riggs	D12/163
D708,992 S *	7/2014	Ito	D12/163
D709,410 S *	7/2014	Conway	D12/163
D710,765 S *	8/2014	Conway	D12/163
D741,230 S	10/2015	Marchi	
D742,287 S *	11/2015	Hanson	D12/163
D759,550 S *	6/2016	Vena	D12/163
D787,384 S *	5/2017	Ito	D12/163
D790,410 S *	6/2017	Ito	D12/163
D803,730 S *	11/2017	Ito	D12/163
D823,184 S *	7/2018	Yates	D12/163
D844,491 S	4/2019	Fidler	
2009/0085361 A1 *	4/2009	Rosen	B60R 13/04 293/120
2013/0025954 A1 *	1/2013	Miller	B62D 25/10 180/69.21

* cited by examiner

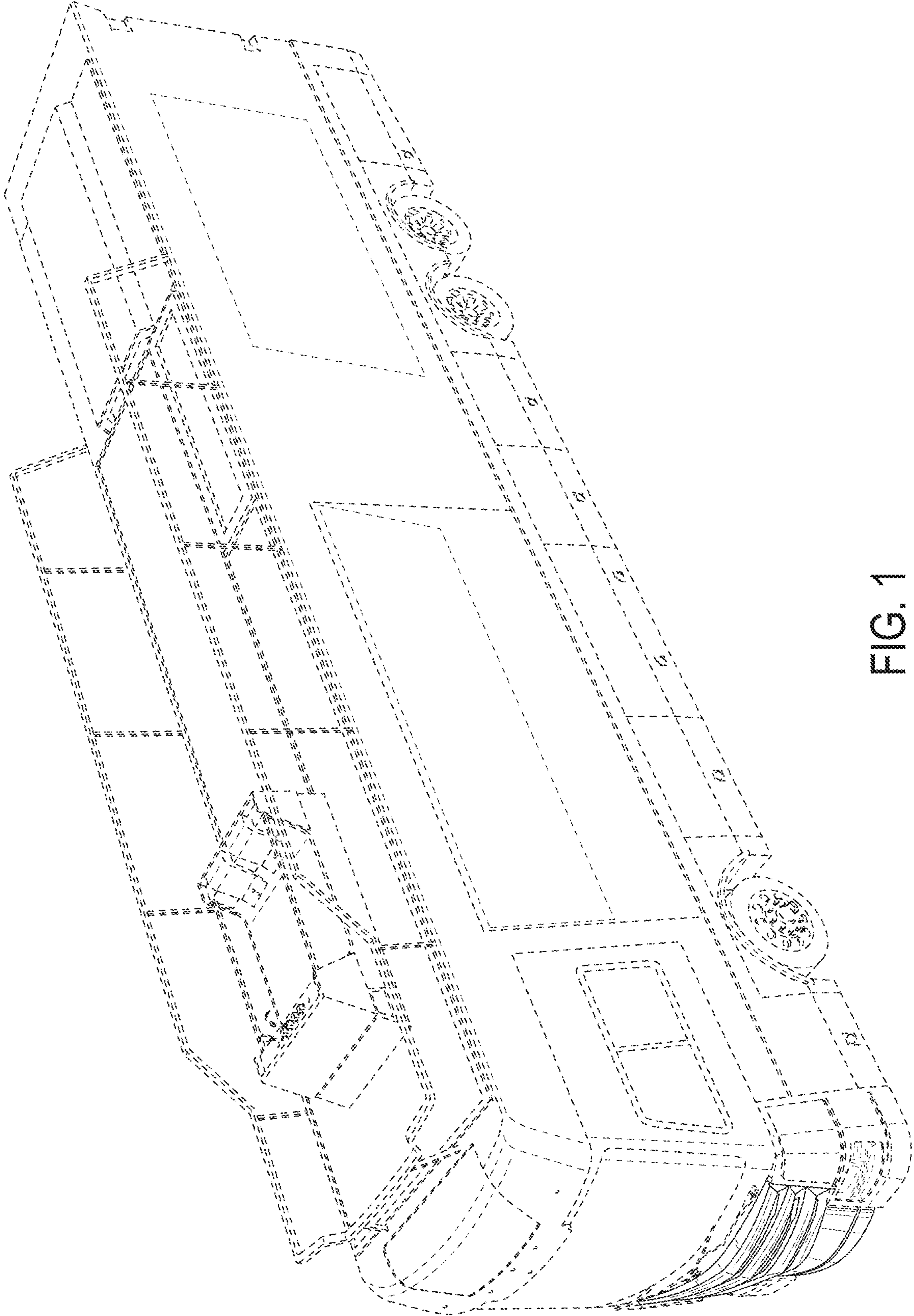


FIG. 1

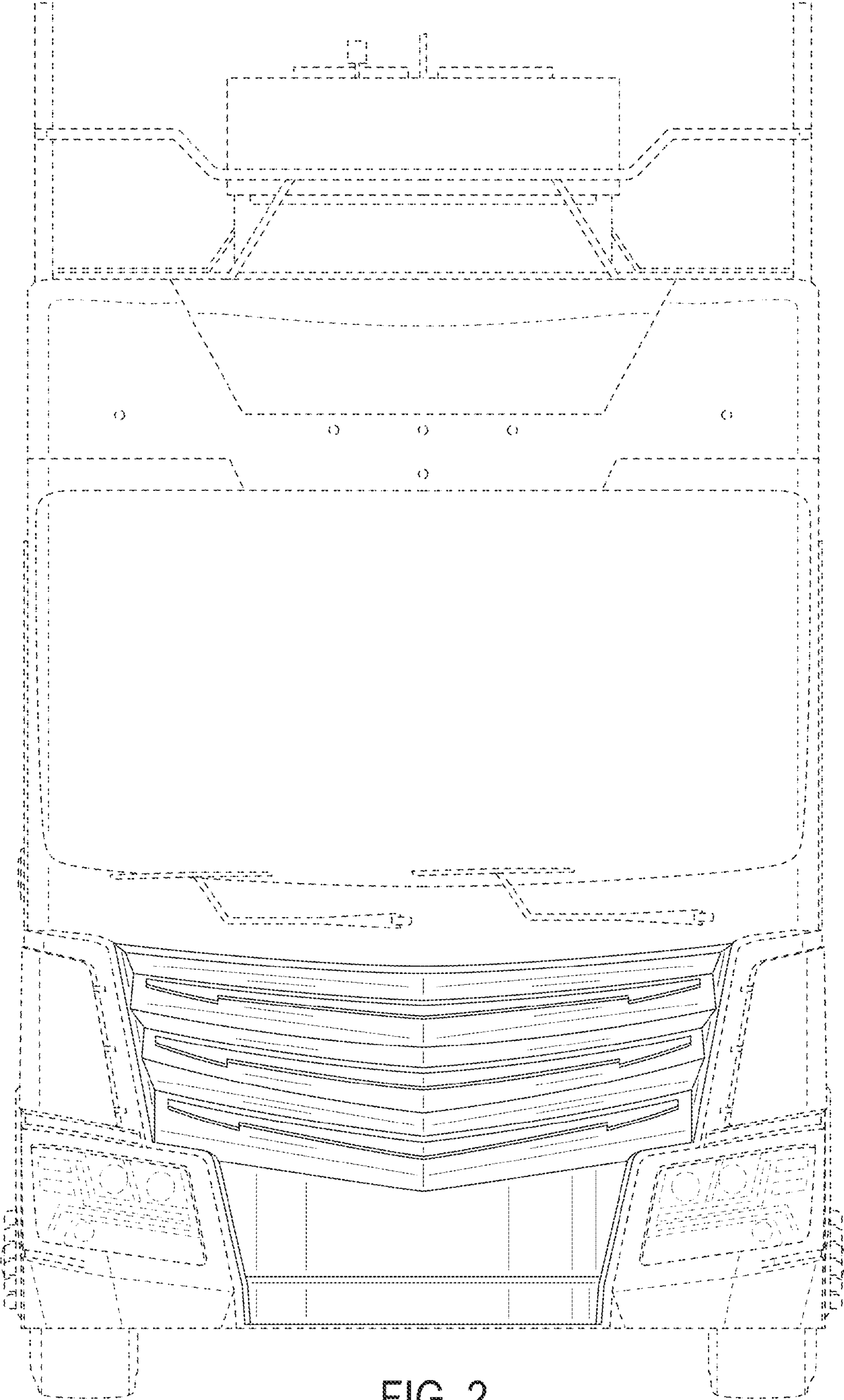


FIG. 2

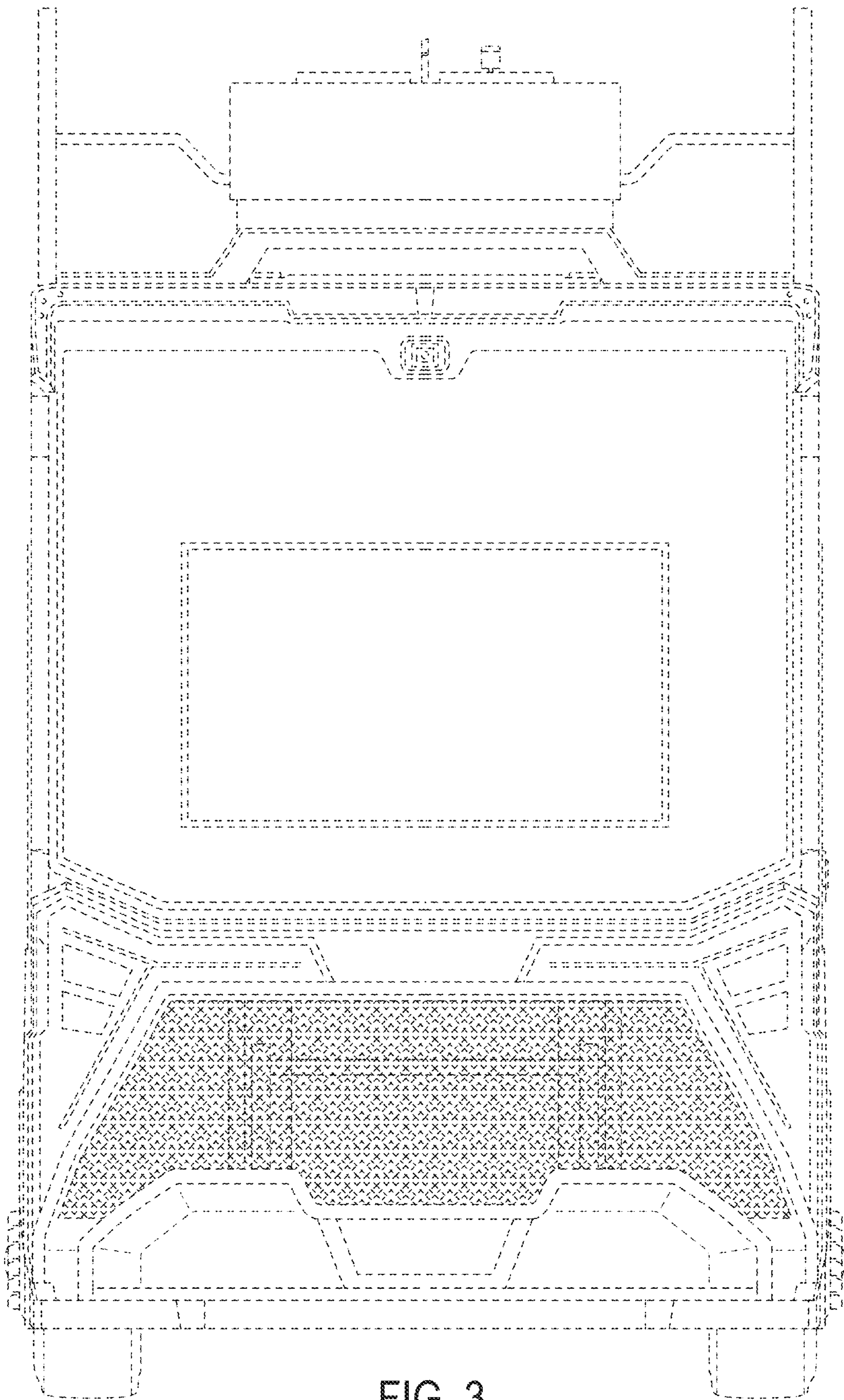


FIG. 3

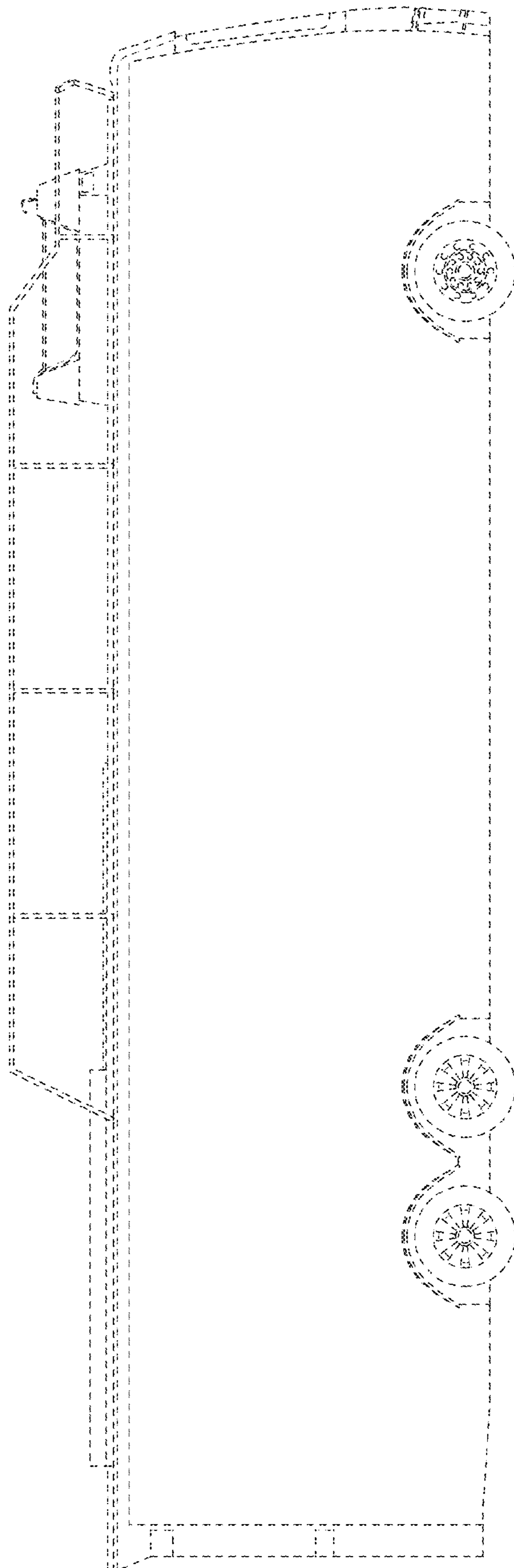


FIG. 4

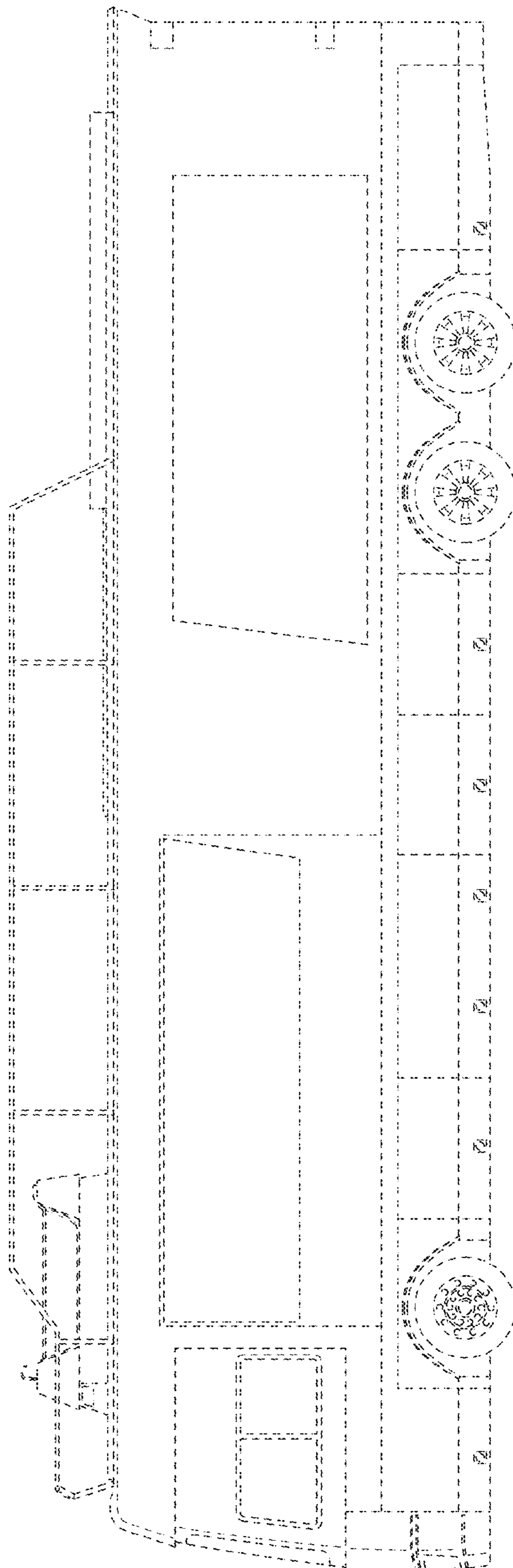


FIG. 5

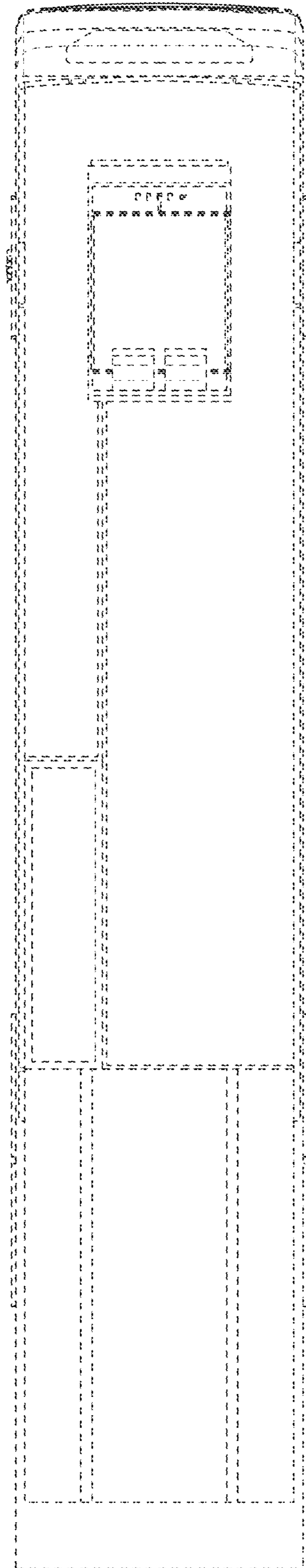


FIG. 6

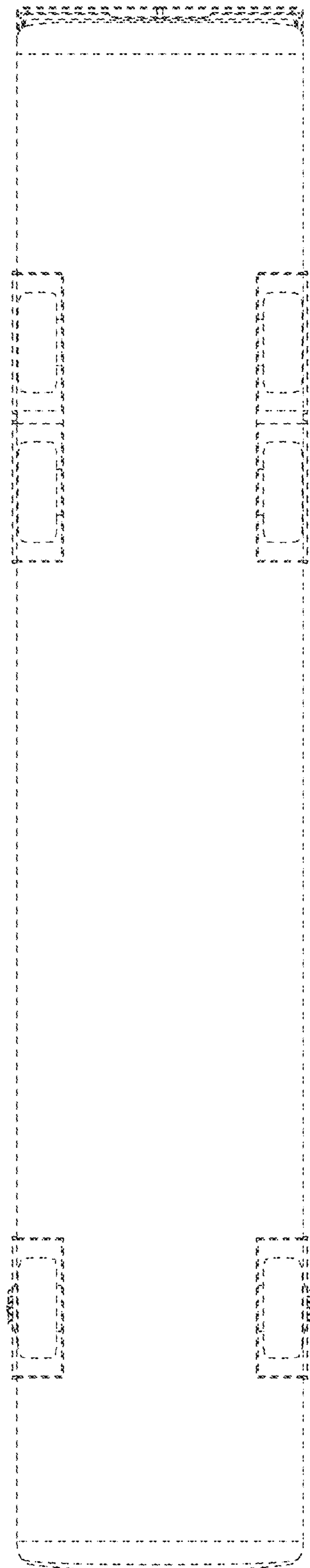


FIG. 7