



US00D895490S

(12) **United States Design Patent** (10) **Patent No.:** **US D895,490 S**
Sakurai et al. (45) **Date of Patent:** **** Sep. 8, 2020**

(54) **ROLLING WALKER AND WHEELCHAIR**

D653,591 S * 2/2012 Horvath D12/128
 9,084,708 B2 * 7/2015 Horvath A61G 5/1059
 D744,909 S * 12/2015 Birk D12/130

(71) Applicant: **Suzuki Motor Corporation**,
Hamamatsu-shi, Shizuoka-ken (JP)

(72) Inventors: **Shunya Sakurai**, Hamamatsu (JP);
Baku Matsuura, Hamamatsu (JP)

(73) Assignee: **SUZUKI MOTOR CORPORATION**
(JP)

(**) Term: **15 Years**

(21) Appl. No.: **29/689,558**

(22) Filed: **Apr. 30, 2019**

(30) **Foreign Application Priority Data**

Nov. 5, 2018 (JP) 2018-024298

(51) **LOC (12) Cl.** **12-12**

(52) **U.S. Cl.**
USPC **D12/130**

(58) **Field of Classification Search**
USPC D12/128–133
See application file for complete search history.

(56) **References Cited**

U.S. PATENT DOCUMENTS

- 3,284,126 A * 11/1966 Piazza A61G 5/006
296/20
5,352,020 A * 10/1994 Wade B64D 11/0643
297/423.26
5,673,967 A * 10/1997 Wempe A61G 5/006
297/423.26
6,158,810 A * 12/2000 Galloway A61G 5/1067
297/343
6,585,279 B1 * 7/2003 Galloway A61G 5/006
280/304.1

OTHER PUBLICATIONS

Suzuki Motor Corporation, Press Release, “Suzuki Exhibits The Concept Model “Kupo” at 2020, Shibuya . . . ”[online], Nov. 2, 2018, [retrieved on Jul. 26, 2019]. Retrieved from the internet <URL: <http://www.suzuki.co.jp/release/c/2018/1102/>>. 2 pages, Japan.

* cited by examiner

Primary Examiner — Charles D Hanson

(57) **CLAIM**

The ornamental design for a rolling walker and wheelchair, as shown and described.

DESCRIPTION

FIG. 1 is a front perspective view of the rolling walker and wheelchair according to a first embodiment of our new design;
 FIG. 2 is a rear perspective view thereof;
 FIG. 3 is a front view thereof;
 FIG. 4 is a rear view thereof;
 FIG. 5 is a top view thereof;
 FIG. 6 is a bottom view thereof;
 FIG. 7 is a left side view thereof;
 FIG. 8 is a right side view thereof;
 FIG. 9 is a front perspective view of the rolling walker and wheelchair in an expanded position according to a second embodiment of our new design, wherein in this second embodiment, FIGS. 1-8 illustrate views of the rolling walker and wheelchair in a closed position; and,
 FIG. 10 is a rear perspective view of FIG. 9.

1 Claim, 10 Drawing Sheets

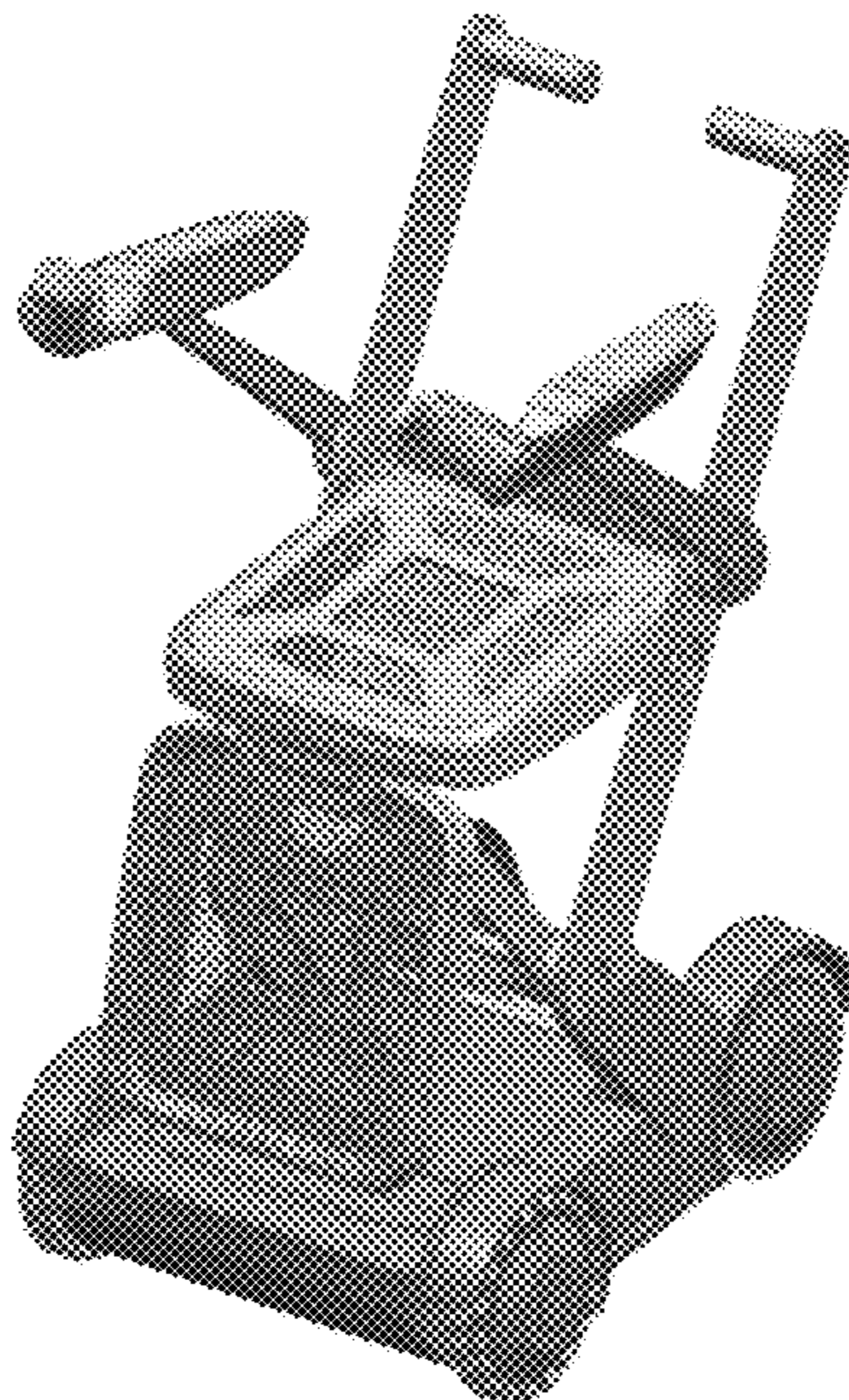




FIG. 1



FIG. 2

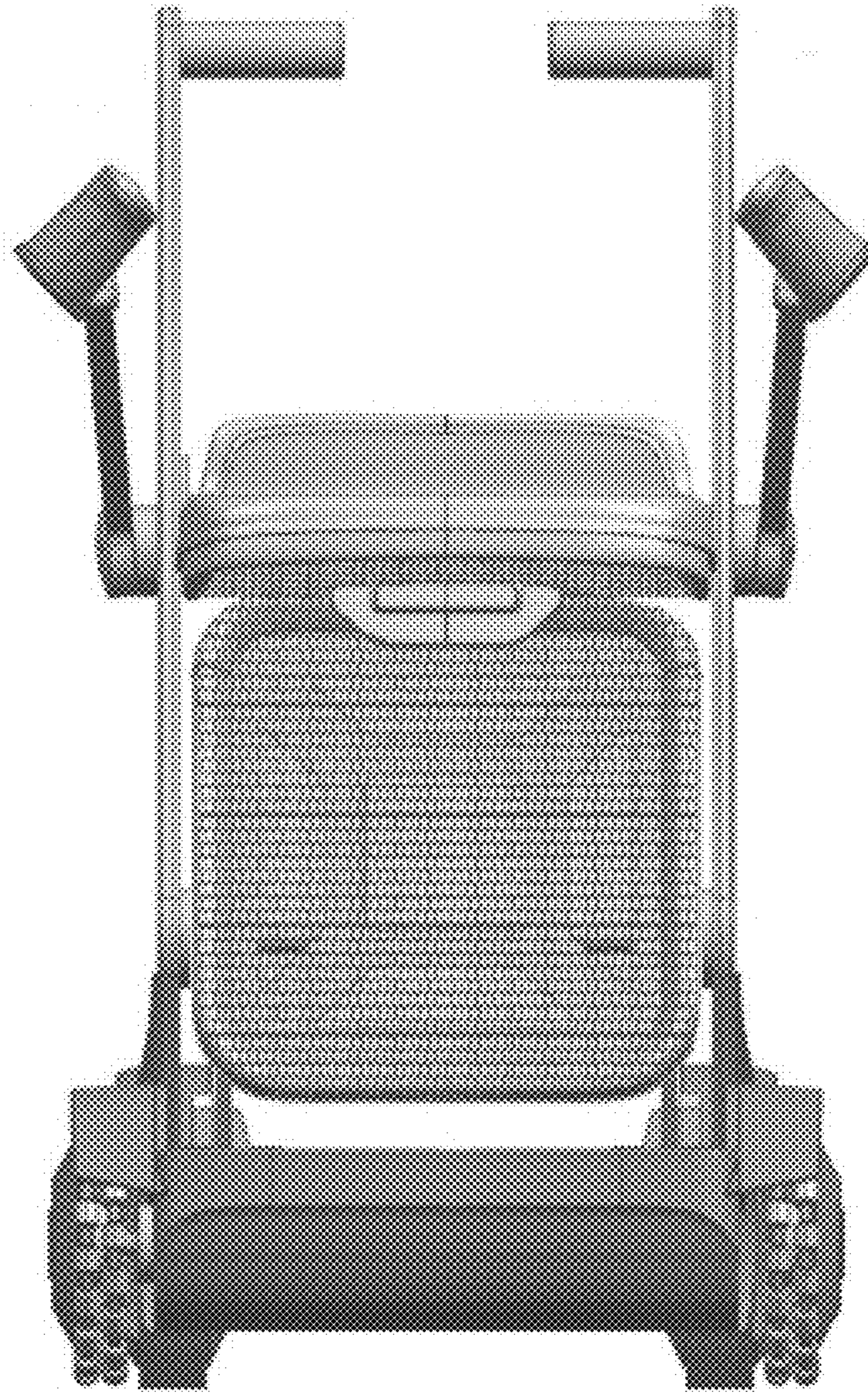


FIG. 3

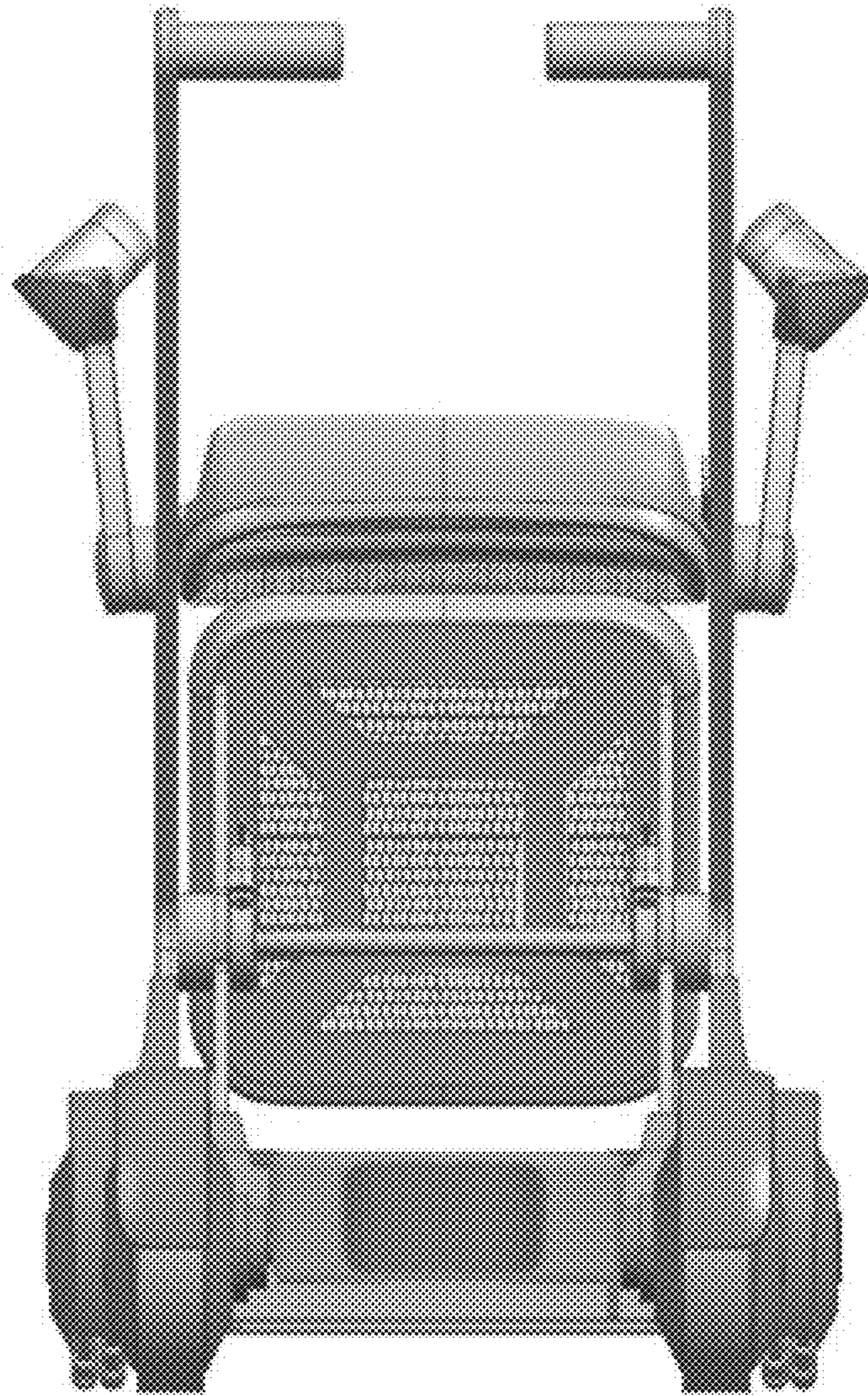


FIG. 4

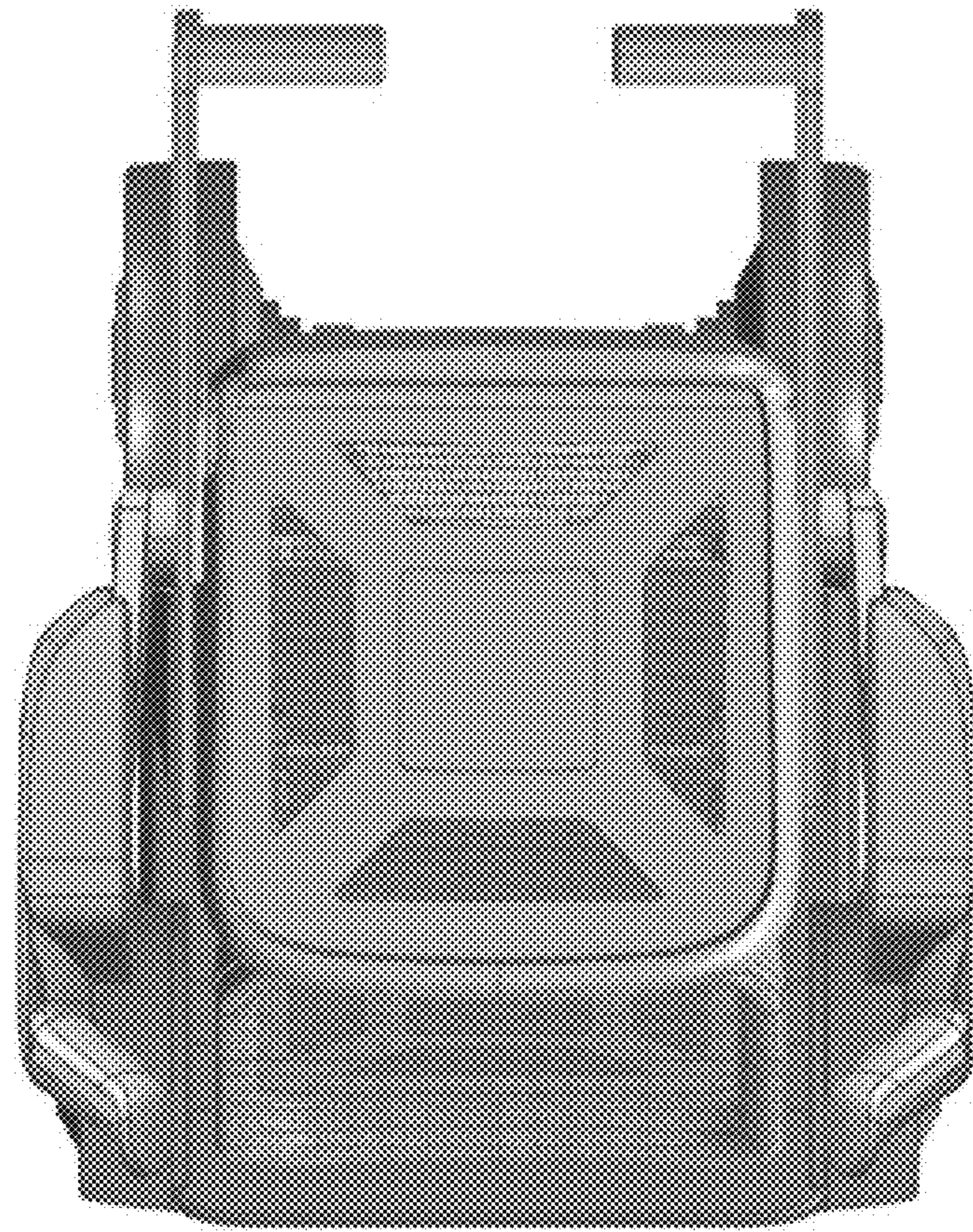


FIG. 5

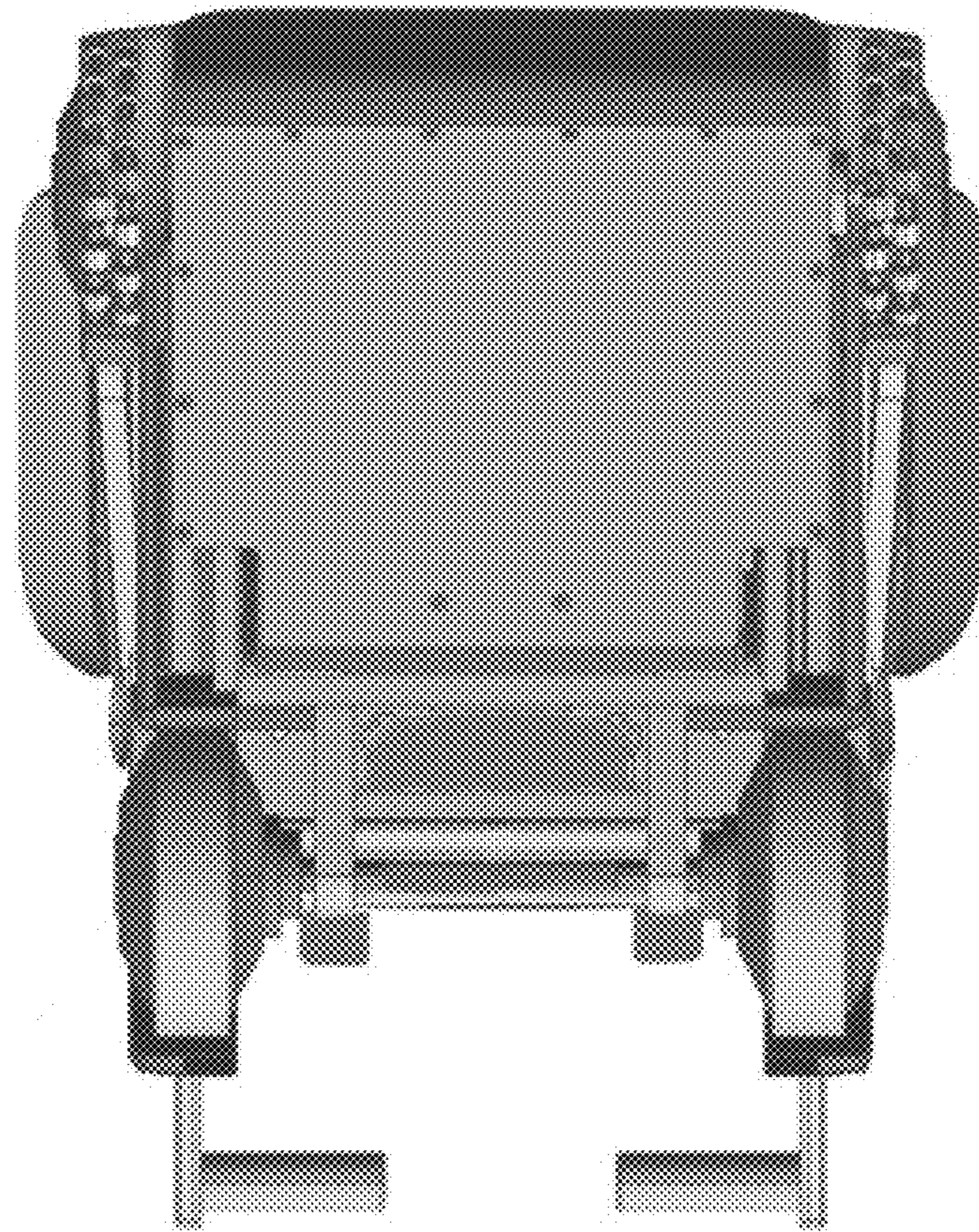


FIG. 6

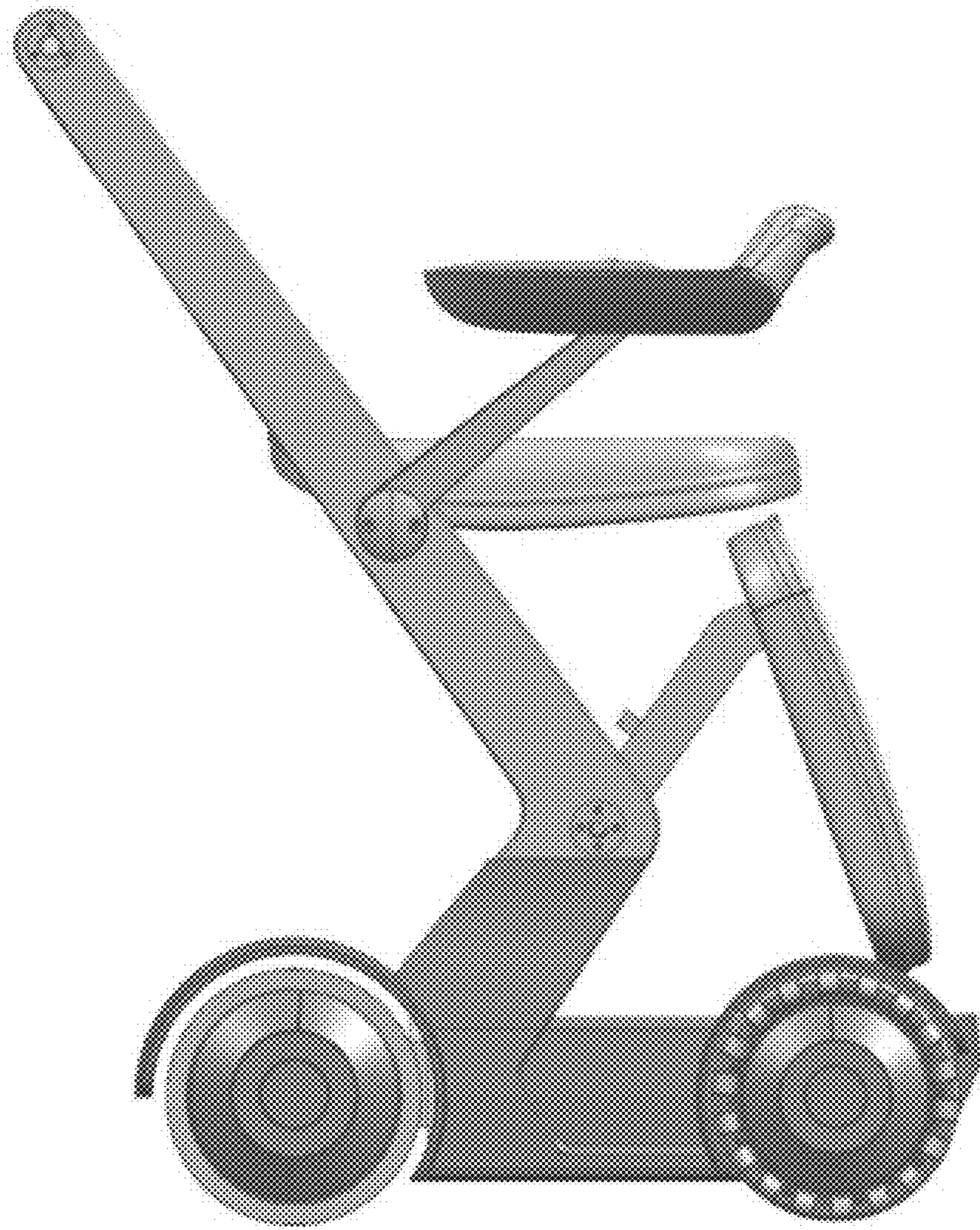


FIG. 7



FIG. 8



FIG. 9



FIG. 10