



US00D895488S

(12) **United States Design Patent** (10) **Patent No.:** **US D895,488 S**
Corder (45) **Date of Patent:** **** Sep. 8, 2020**

(54) **CRANK DEVICE**

(71) Applicant: **John Daniel Corder**, Upland, CA (US)

(72) Inventor: **John Daniel Corder**, Upland, CA (US)

(**) Term: **15 Years**

(21) Appl. No.: **29/676,949**

(22) Filed: **Jan. 16, 2019**

(51) **LOC (12) Cl.** **12-11**

(52) **U.S. Cl.**
USPC **D12/123; D8/17**

(58) **Field of Classification Search**
USPC D8/395, 394, 396, 398, 399, 15-29,
D8/51-61, 70, 70.1, 72, 73, 74, 330, 331,
D8/333, 335, 349, 350, 352, 354, 355,
D8/356, 14, 44; D12/114, 124, 125, 123,
D12/122, 117, 120
CPC F16B 19/1081; B65D 41/56; B25B 5/00;
B42F 1/006; B42F 1/08; B42F 9/001;
B42F 1/02; B25J 1/00; B25J 1/04; B25J
15/00; Y10T 74/2164; Y10T 24/203;
B62M 3/00
See application file for complete search history.

(56) **References Cited**

U.S. PATENT DOCUMENTS

| | | | | | |
|--------------|------|---------|----------|-------|------------------------|
| 4,960,017 | A * | 10/1990 | Hsiao | | B25B 27/0071 81/459 |
| 5,179,873 | A * | 1/1993 | Girvin | | B62K 19/20 280/259 |
| D498,710 | S * | 11/2004 | Chiang | | D12/123 |
| D791,023 | S * | 7/2017 | Roy | | D12/114 |
| D869,995 | S * | 12/2019 | Fukuda | | D12/114 |
| 2007/0227293 | A1 * | 10/2007 | Valle | | B62M 3/00 74/594.1 |
| 2010/0319483 | A1 * | 12/2010 | Lin | | B62M 3/08 74/594.4 |
| 2013/0087011 | A1 * | 4/2013 | Yamanaka | | B62M 3/003 74/594.1 |
| 2014/0060243 | A1 * | 3/2014 | Morelli | | B62M 3/08 74/594.4 |

(Continued)

FOREIGN PATENT DOCUMENTS

CN 3421290 * 4/2004
CN 305311408 * 12/2018

(Continued)

Primary Examiner — Keli L Hill
Assistant Examiner — Sara S Sahneh

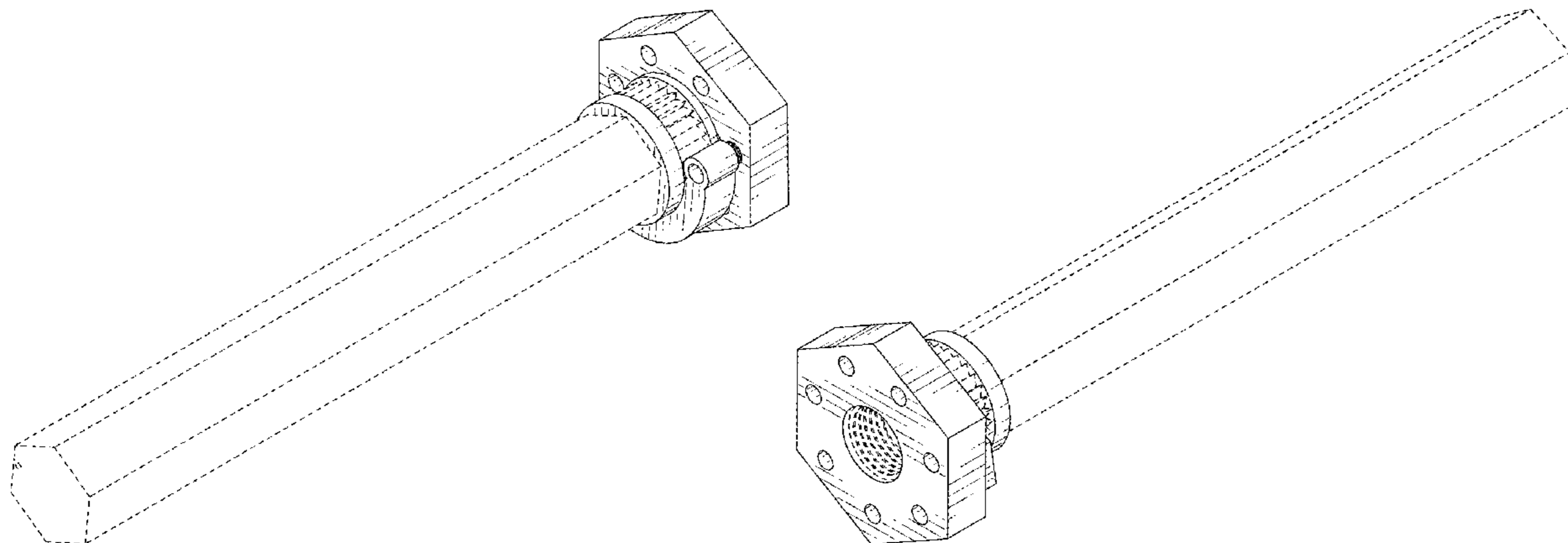
(57) **CLAIM**

The ornamental design for a crank device, as shown and described.

DESCRIPTION

FIG. 1 is a front-top perspective view of the new design of the crank device;
FIG. 2 is a front-bottom perspective view thereof;
FIG. 3 is a rear-top perspective view thereof;
FIG. 4 is a rear-bottom perspective view thereof;
FIG. 5 is a front elevational view thereof;
FIG. 6 is a rear elevational view thereof;
FIG. 7 is a left elevational view thereof;
FIG. 8 is a right elevational view thereof;
FIG. 9 is a top plan view thereof;
FIG. 10 is a bottom plan view thereof;
FIG. 11 is a top exploded view thereof;
FIG. 12 is a bottom exploded view thereof;
FIG. 13 is a front-top perspective view thereof, showing the foot pedal and the crankarm installed on to the crank device; and,
FIG. 14 is a magnified top perspective view of the leaf spring as shown in FIG. 11.
The broken lines showing: a crank sleeve, a plurality of gear teeth, a plurality of pawl teeth, a hex nut thread, and a coil spring shown in FIGS. 1-13, are included for the purpose of illustrating environmental structure and form no part of the claimed design.

1 Claim, 14 Drawing Sheets



(56)

References Cited

U.S. PATENT DOCUMENTS

2014/0360314 A1* 12/2014 Sams B62M 3/00
74/594.2
2015/0047460 A1* 2/2015 Torino B62M 3/003
74/594.4
2020/0070932 A1* 3/2020 Corder B62M 1/10
2020/0102036 A1* 4/2020 Chen G01L 3/1457

FOREIGN PATENT DOCUMENTS

EP 002699256-0001 * 5/2015
EP 002863548-0002 * 11/2015
JP D1391116 * 10/2000

* cited by examiner

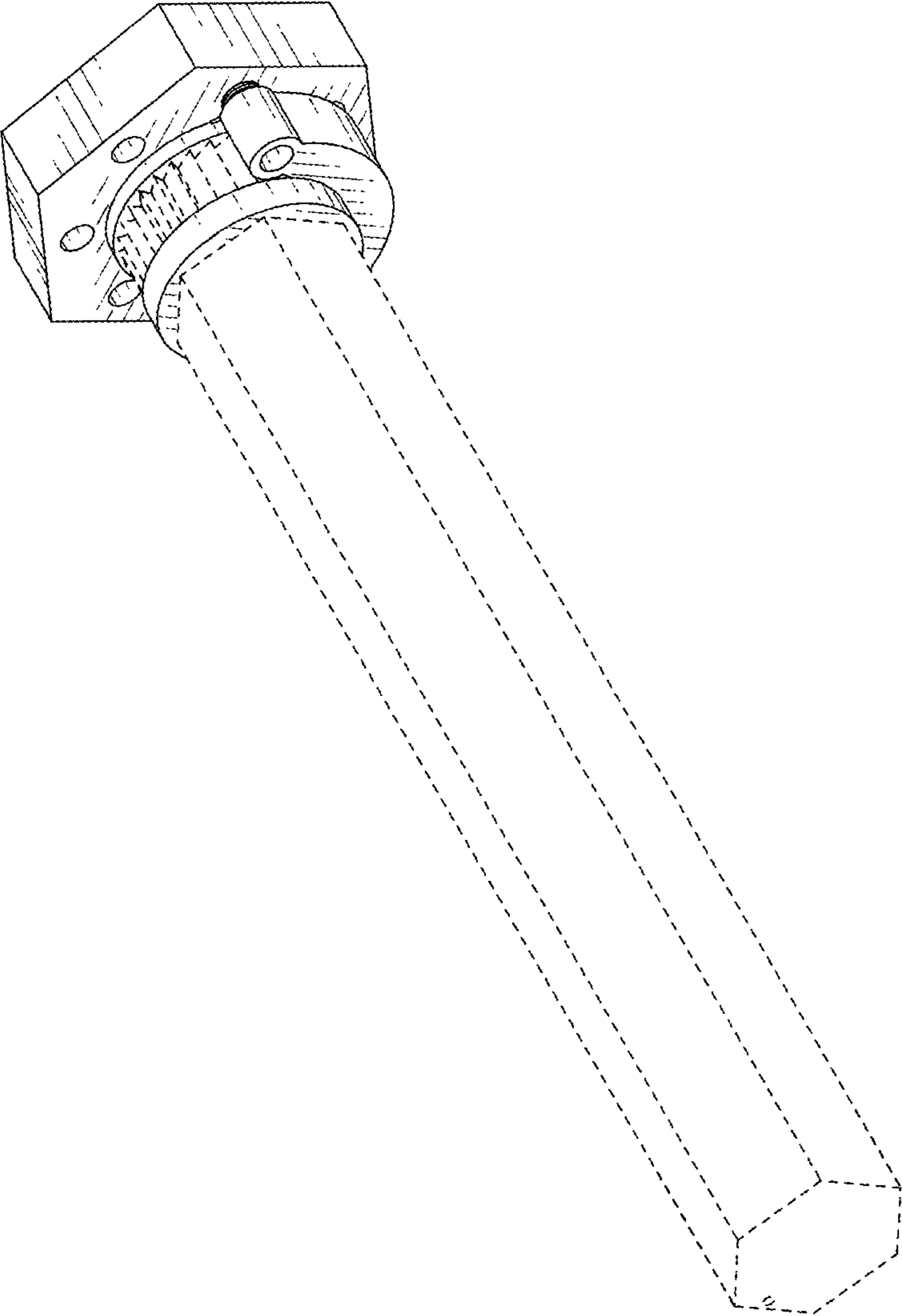


FIG.1

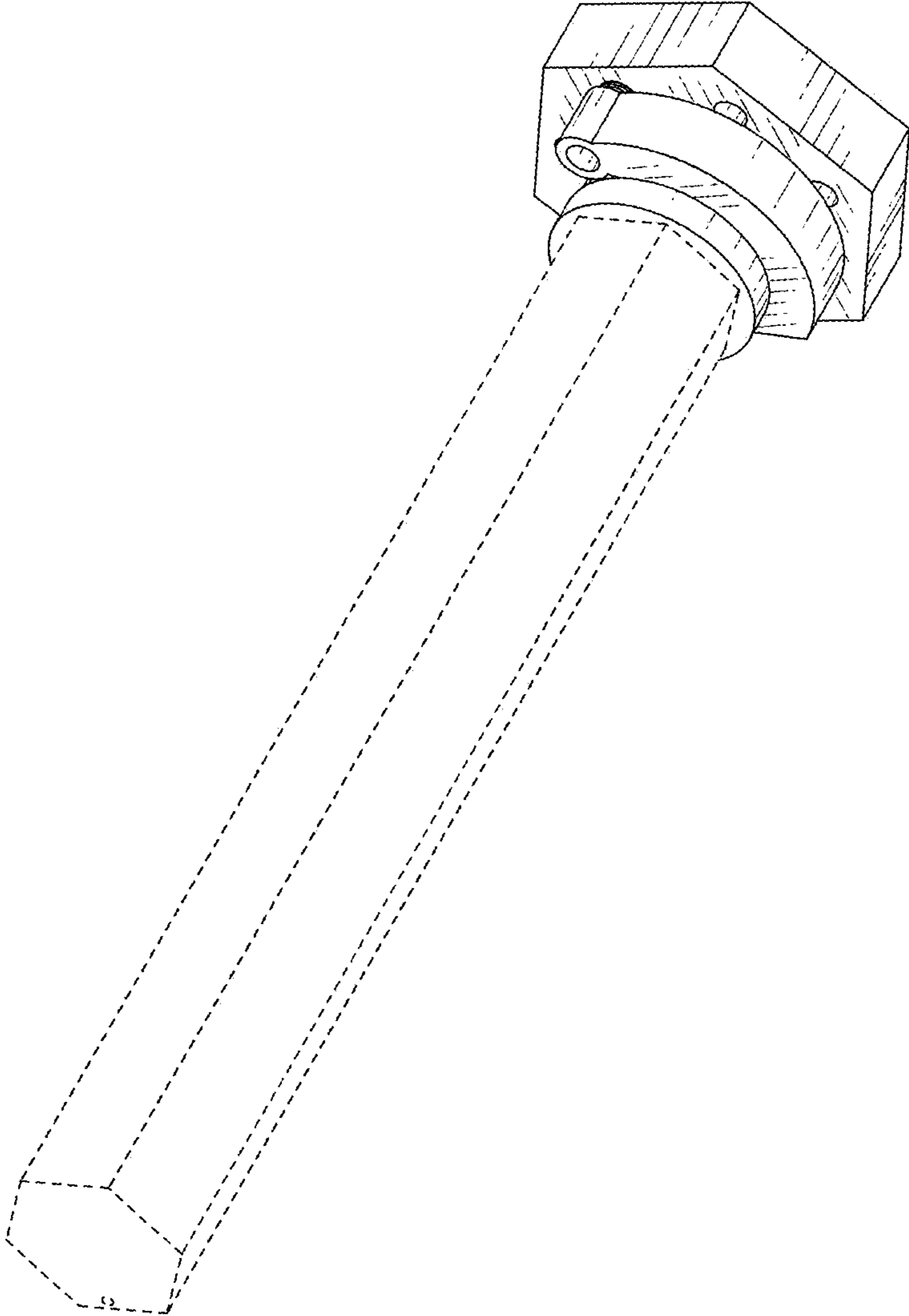


FIG.2

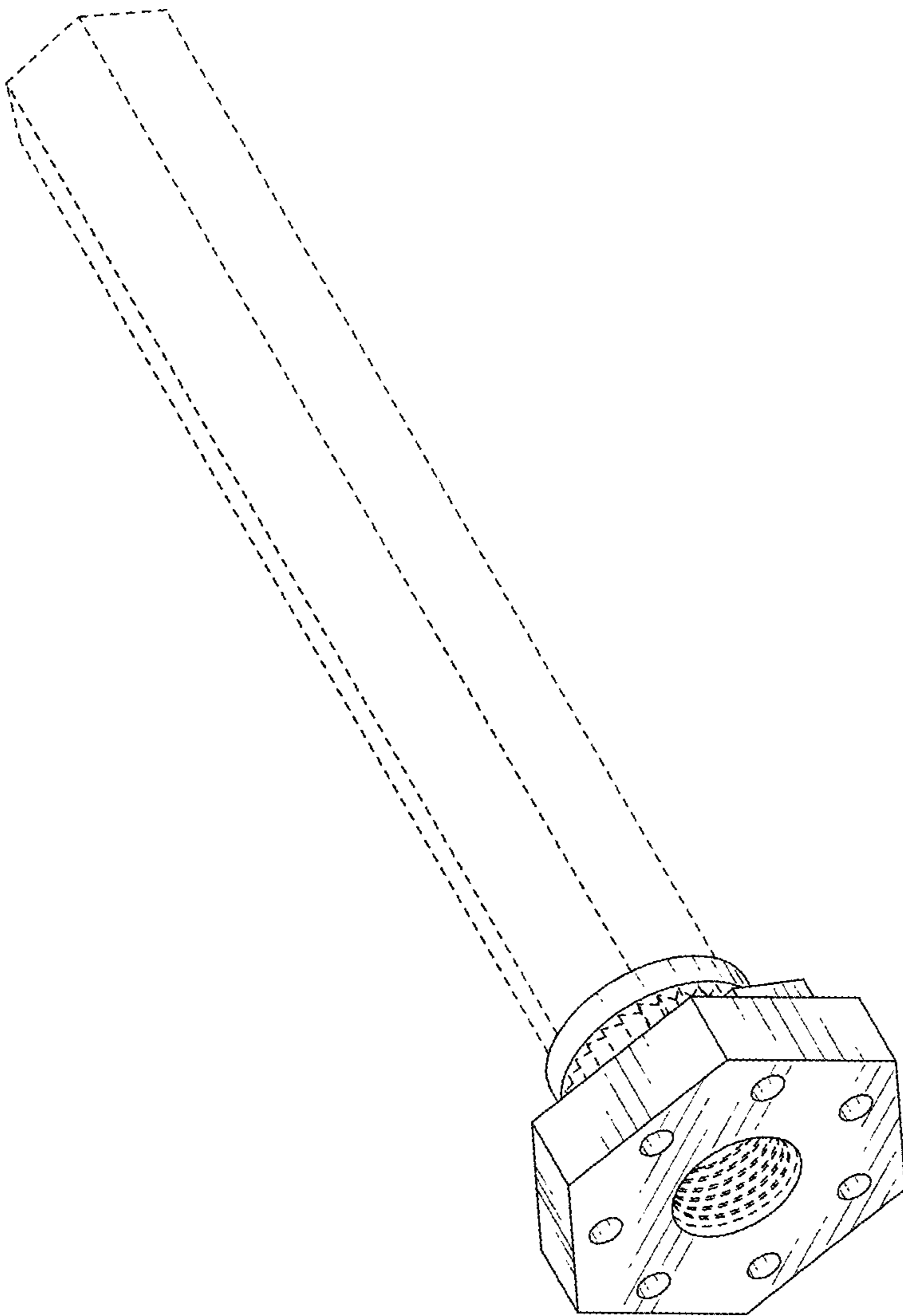


FIG.3

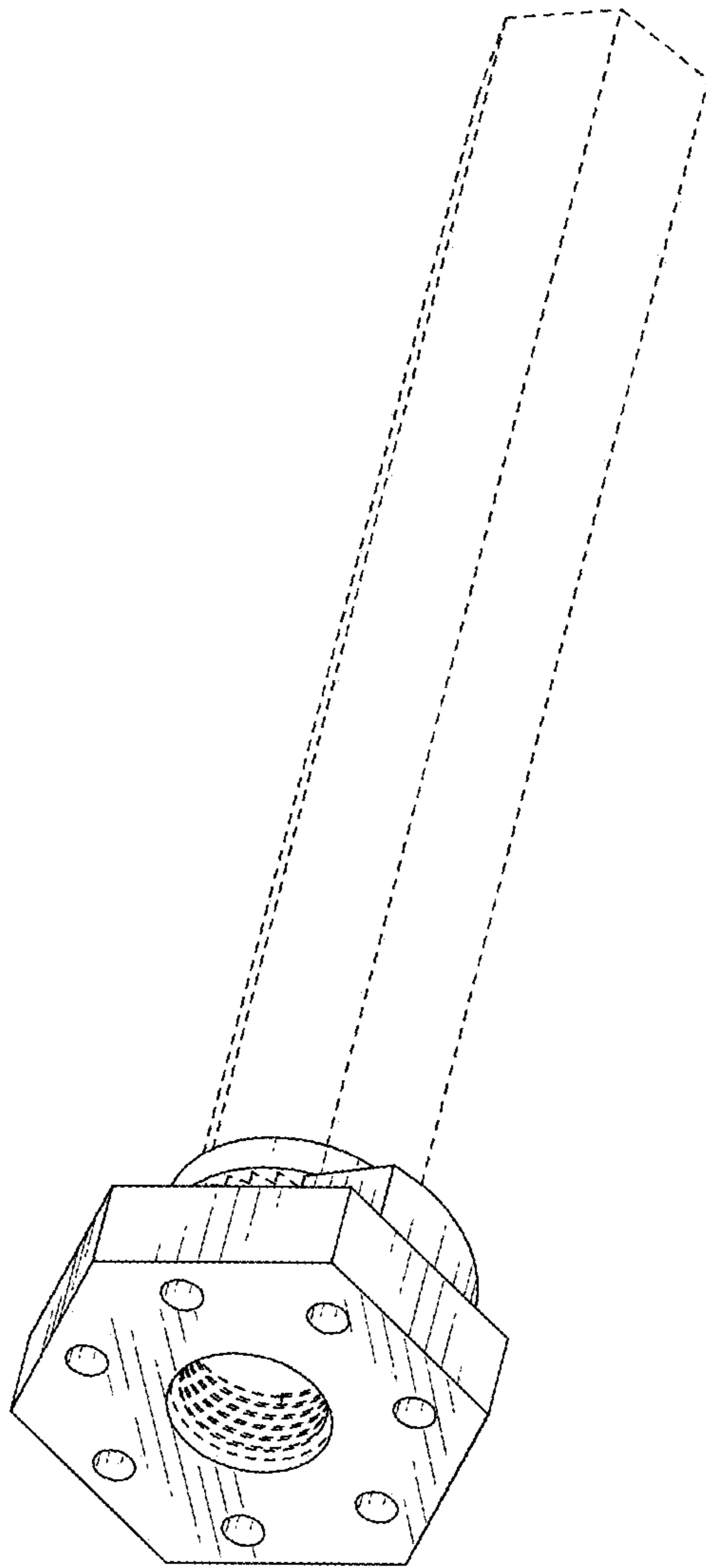


FIG.4

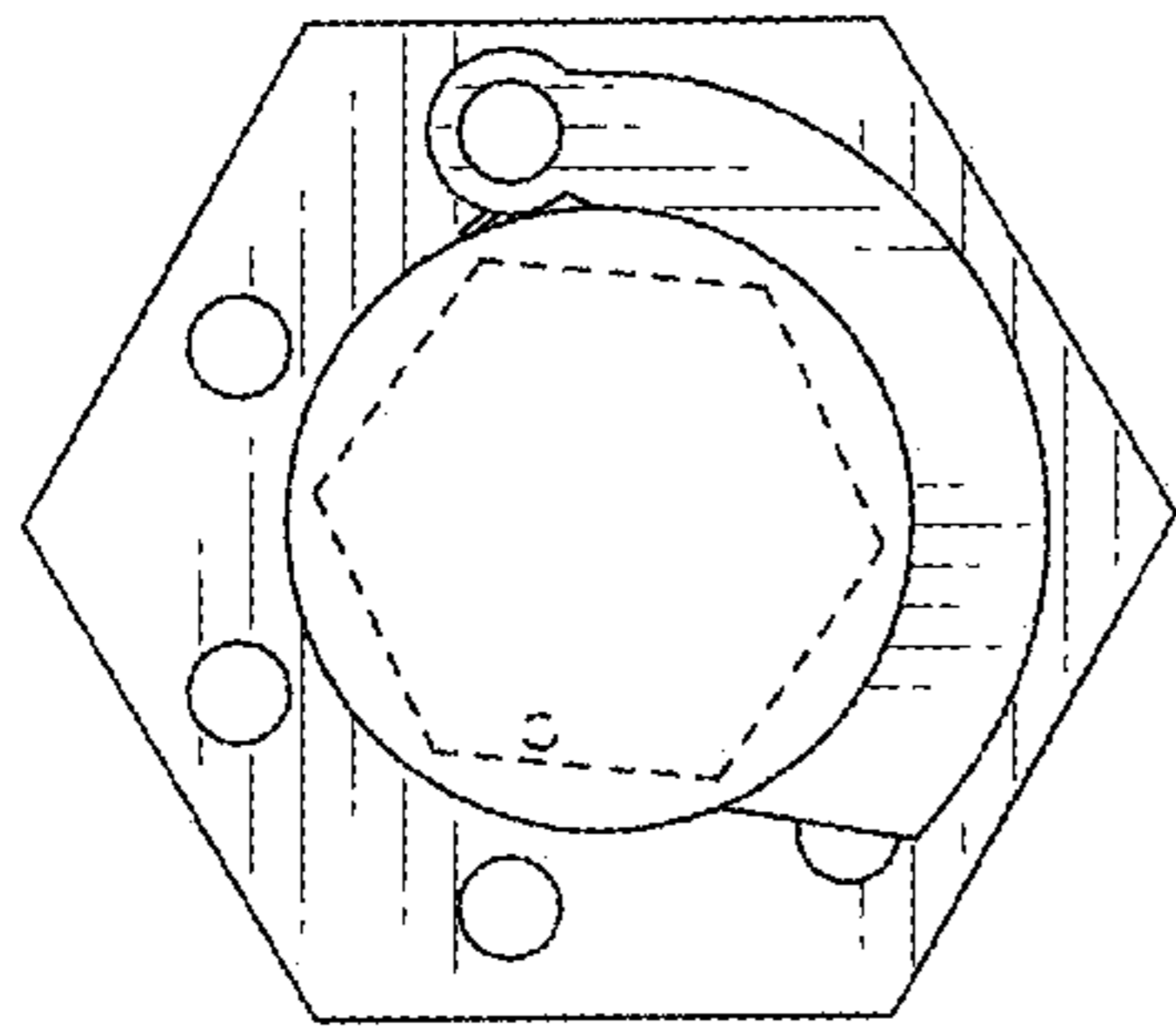


FIG.5

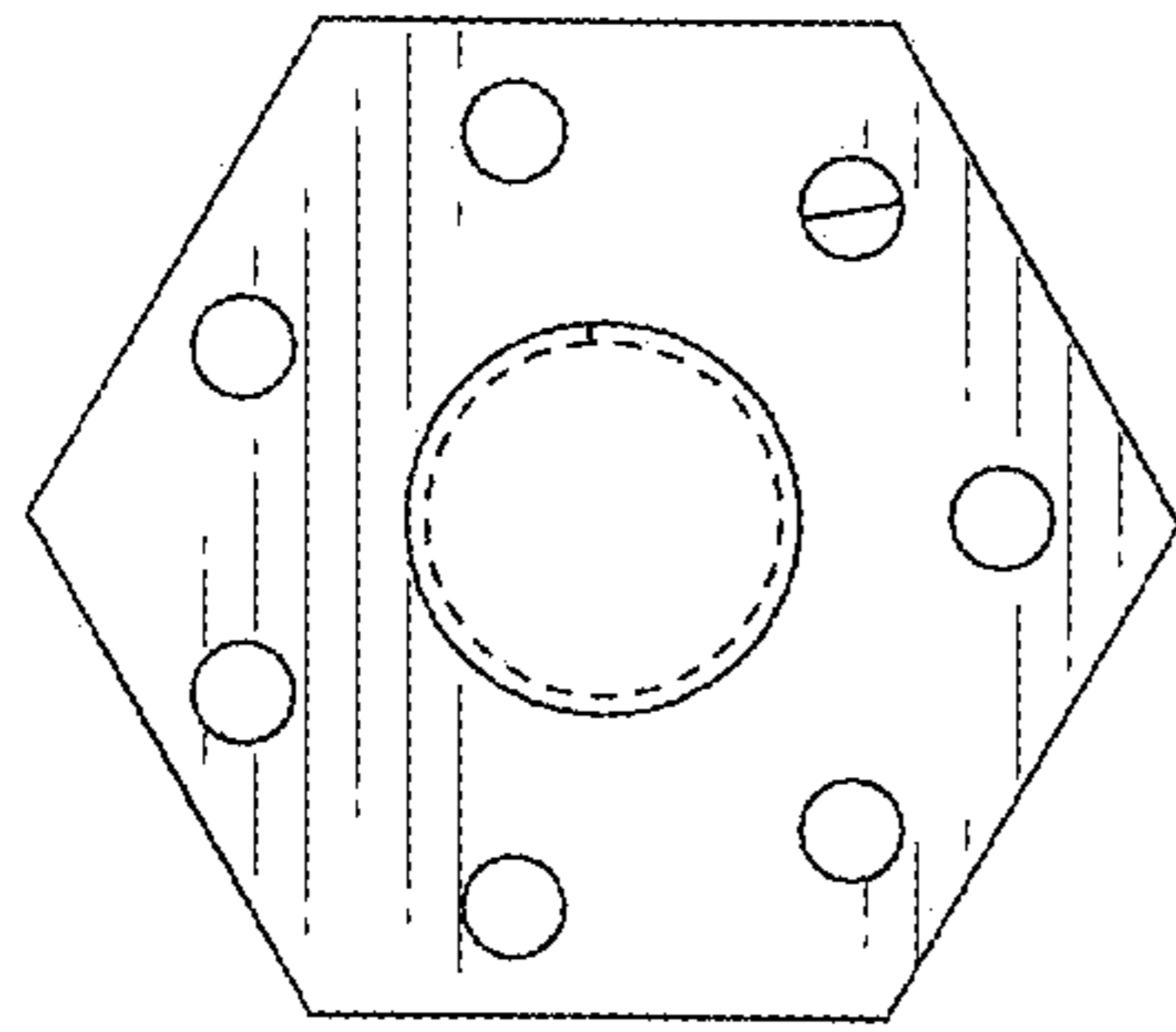


FIG.6

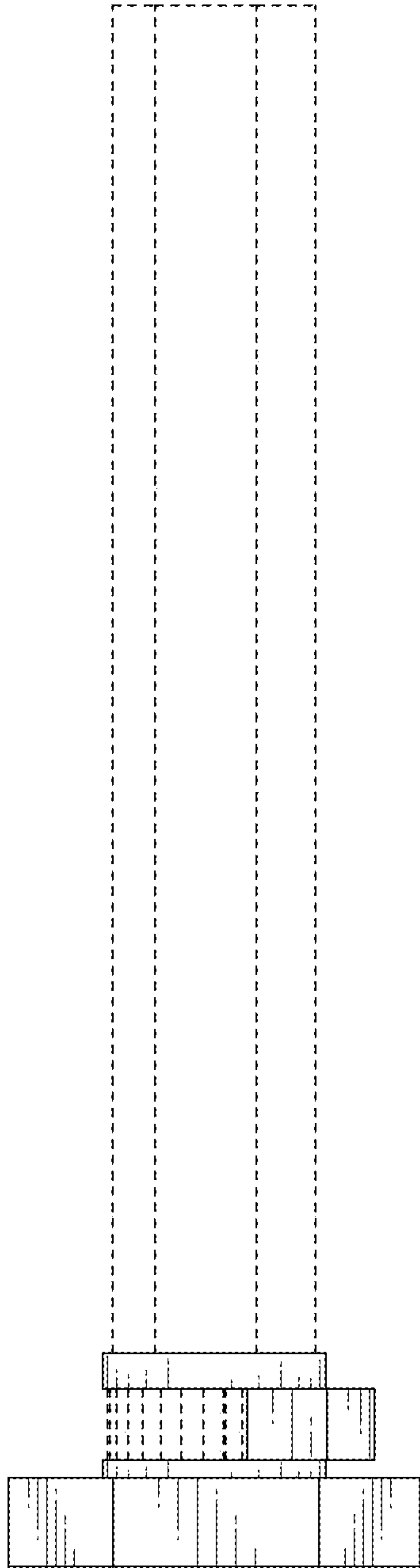


FIG. 7

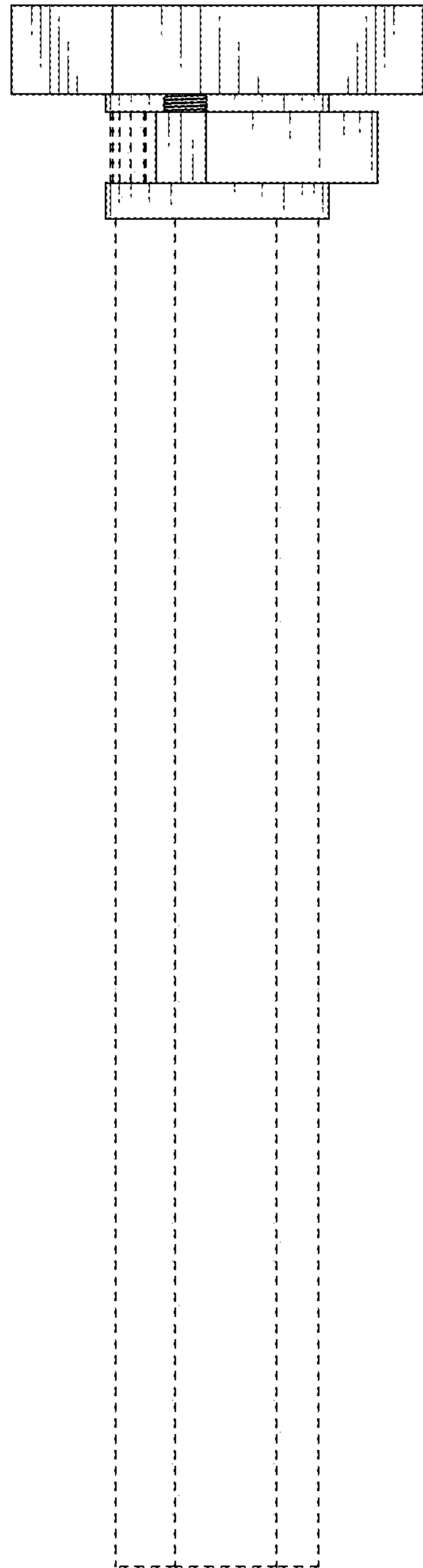


FIG.8

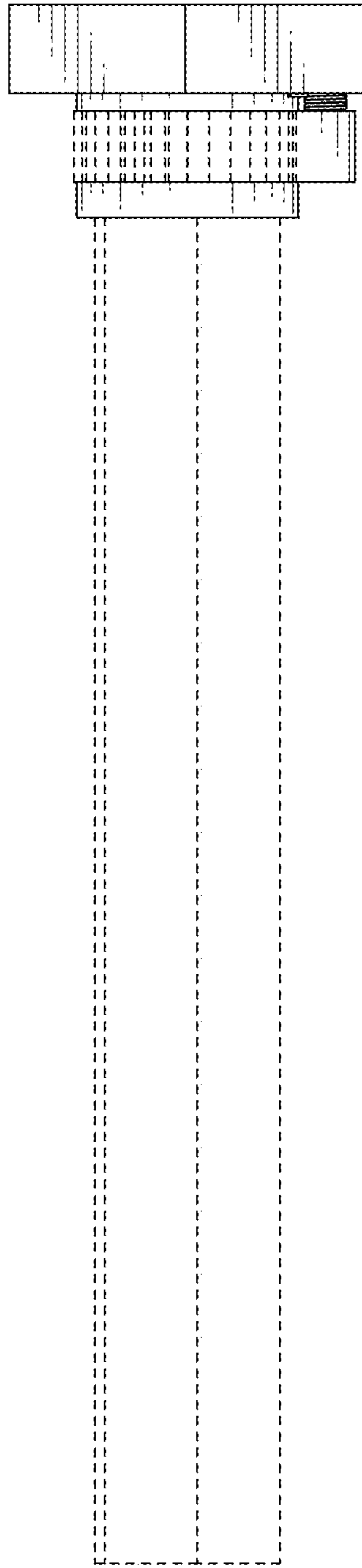


FIG. 9

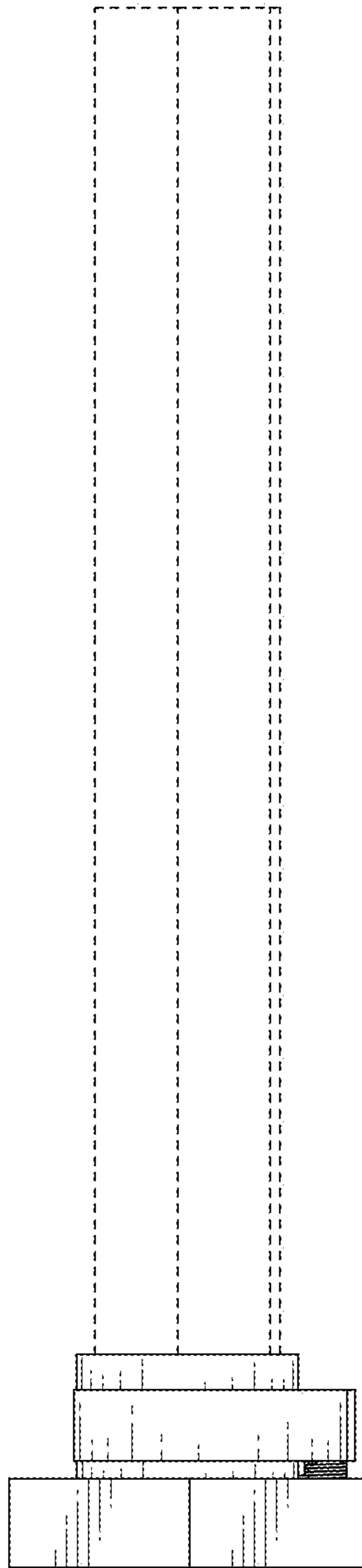


FIG. 10

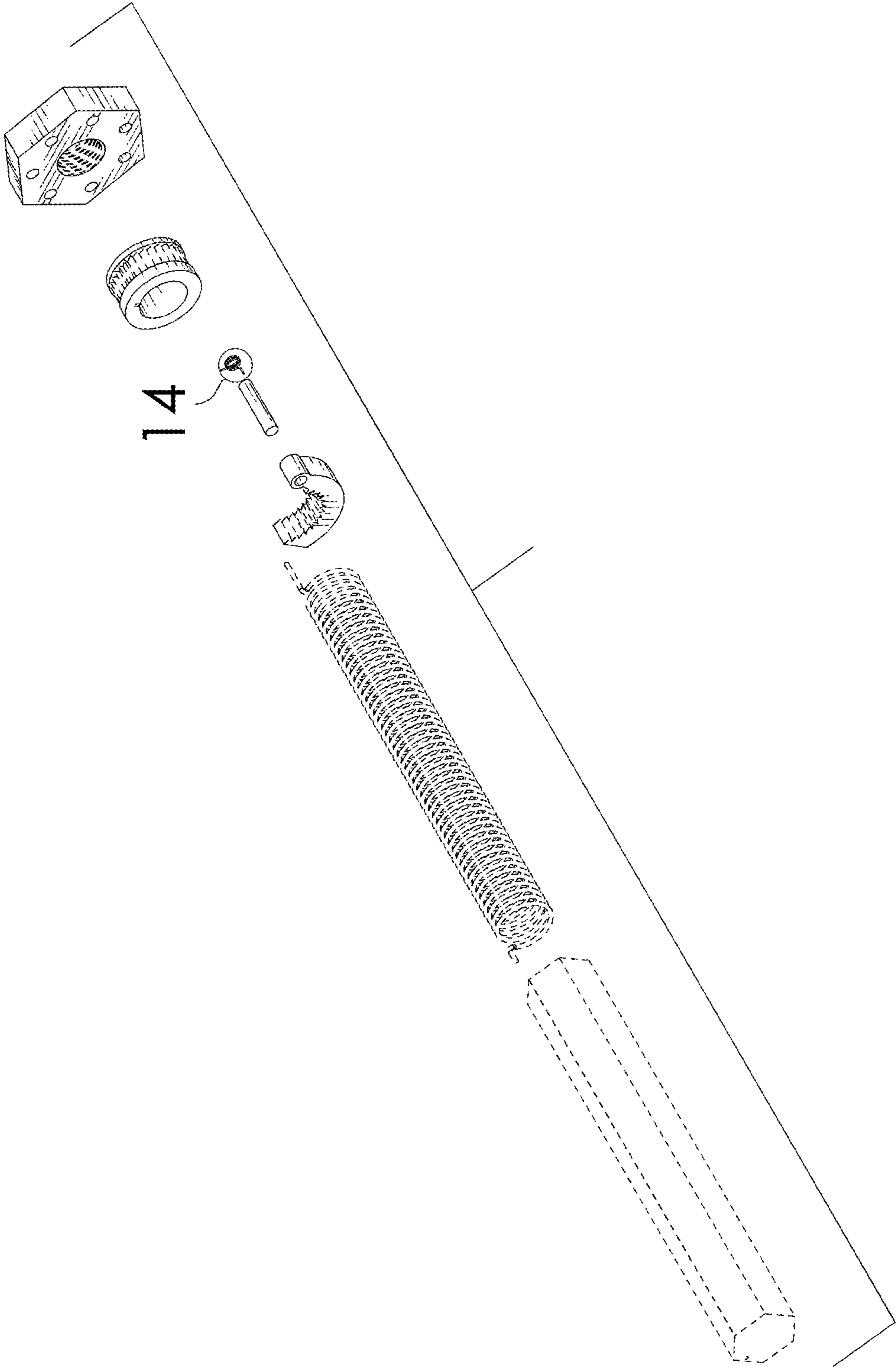


FIG. 11

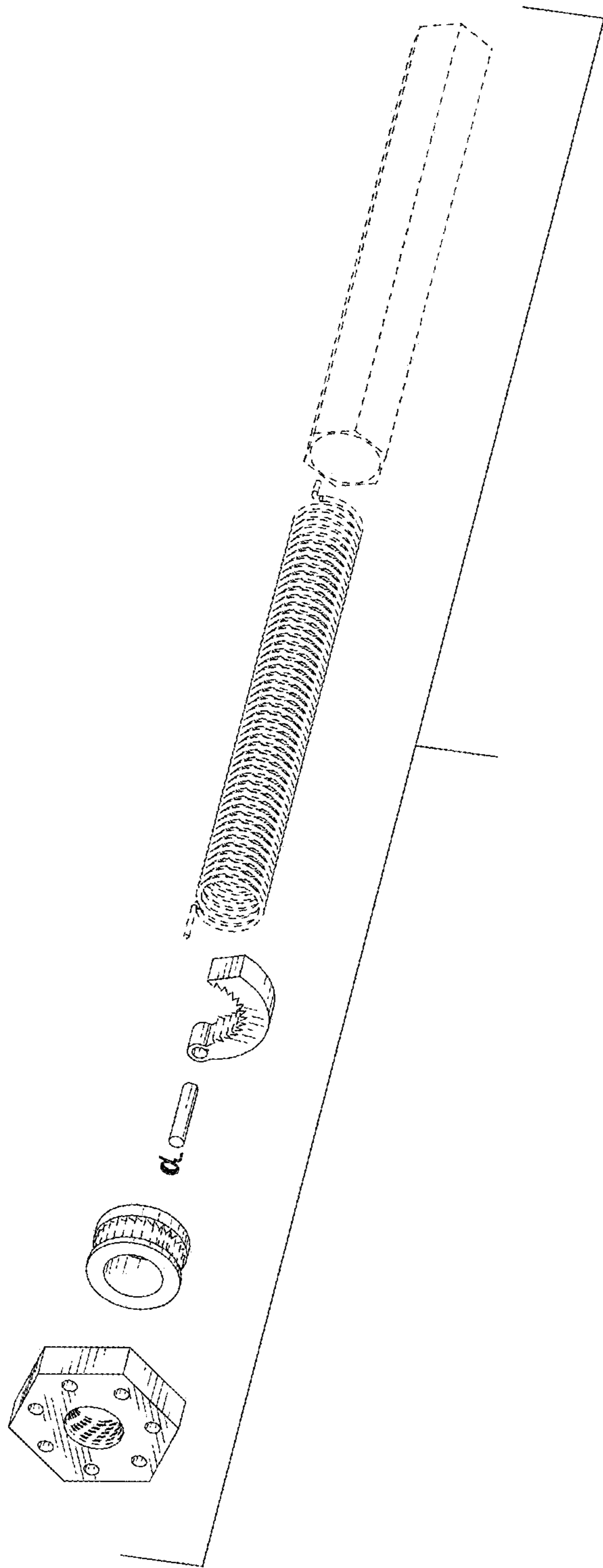


FIG. 12

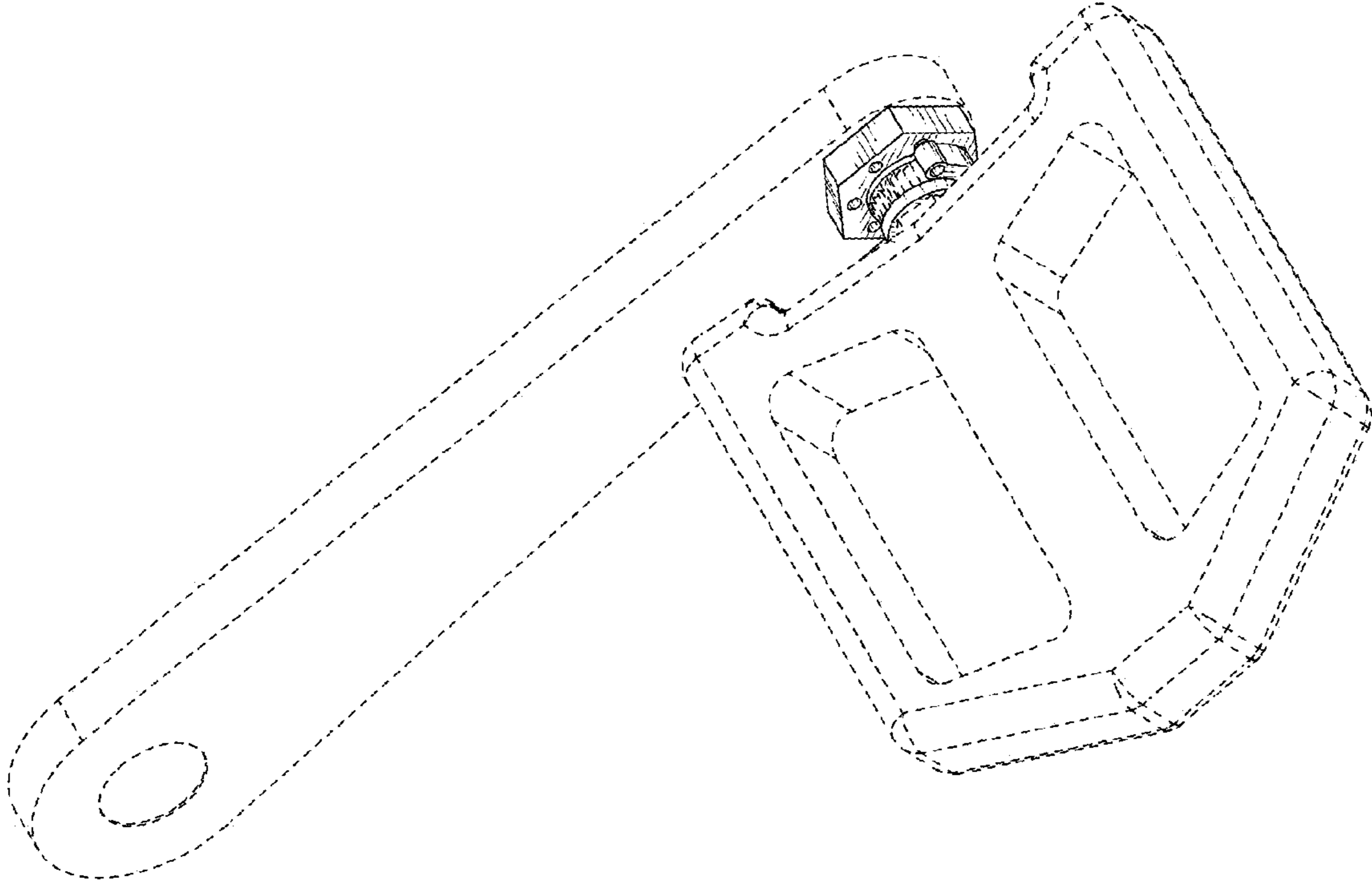


FIG.13

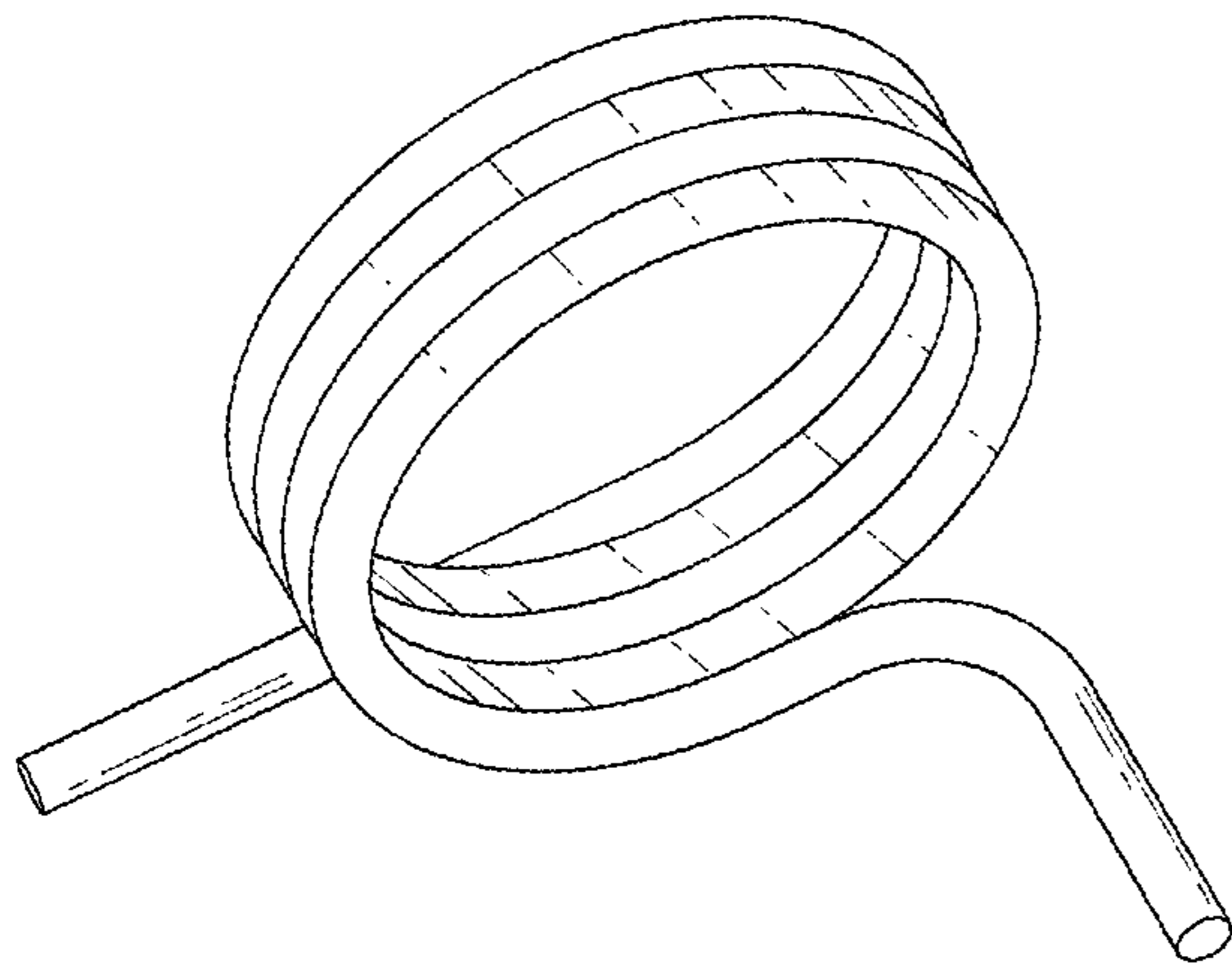


FIG. 14