



US00D895486S

(12) **United States Design Patent** (10) **Patent No.:** **US D895,486 S**
McGinley et al. (45) **Date of Patent:** **** Sep. 8, 2020**

(54) **MOTORCYCLE**

(71) Applicant: **Harley-Davidson Motor Company Group, LLC, Milwaukee, WI (US)**

(72) Inventors: **Ben McGinley, Glendale, WI (US); Brad Richards, Grafton, WI (US); Kirk Rasmussen, Springville, UT (US); Sean M. Stanley, Hartford, WI (US); Brian Scherbarth, Menomonee Falls, WI (US); Joseph Konshak, Sussex, WI (US); Eric James Klumpp, Grafton, WI (US); Curt Zackiewicz, Milwaukee, WI (US); David Isaac Aunkst, St. Francis, WI (US); Kasey Alexander Peck, Menomonee Falls, WI (US); Richard W. Elchert, Mequon, WI (US)**

4,062,585 A 12/1977 Herring, Jr.
 4,125,285 A 11/1978 Hanagan
 4,188,697 A 2/1980 Hanagan
 D260,251 S 8/1981 Larose
 D261,132 S 10/1981 Vetter et al.
 D266,321 S 9/1982 Morioka
 4,401,309 A 8/1983 Matsuzaki et al.
 D271,867 S 12/1983 Danielson
 D272,140 S 1/1984 Turkington et al.
 D272,731 S 2/1984 Firth
 D279,974 S 8/1985 Komori et al.
 D282,922 S 3/1986 Abe et al.
 D283,021 S 3/1986 Abe et al.
 D284,181 S 10/1986 Abe
 D287,348 S 12/1986 Larson
 4,742,884 A 5/1988 Ishikawa

(Continued)

(73) Assignee: **Harley-Davidson Motor Company Group, LLC, Milwaukee, WI (US)**

(**) Term: **15 Years**

(21) Appl. No.: **29/658,226**

(22) Filed: **Jul. 30, 2018**

(51) **LOC (12) Cl.** **12-11**

(52) **U.S. Cl.**
 USPC **D12/110**

(58) **Field of Classification Search**
 USPC D12/110, 111, 117; D21/432, 538
 CPC B62K 11/00; B62K 11/02; B62K 11/04;
 B62K 11/10; B62K 17/00; B62K 19/00;
 B62K 2202/00

See application file for complete search history.

(56) **References Cited**
 U.S. PATENT DOCUMENTS

2,510,222 A 6/1950 Harley
 3,741,596 A 6/1973 Cate
 D242,913 S 1/1977 Petty

OTHER PUBLICATIONS

Notice of Allowance issued from the US Patent Office for U.S. Appl. No. 29/658,217 dated Feb. 6, 2020 (9 Pages).

(Continued)

Primary Examiner — Darlington Ly

(74) Attorney, Agent, or Firm — Michael Best & Friedrich LLP

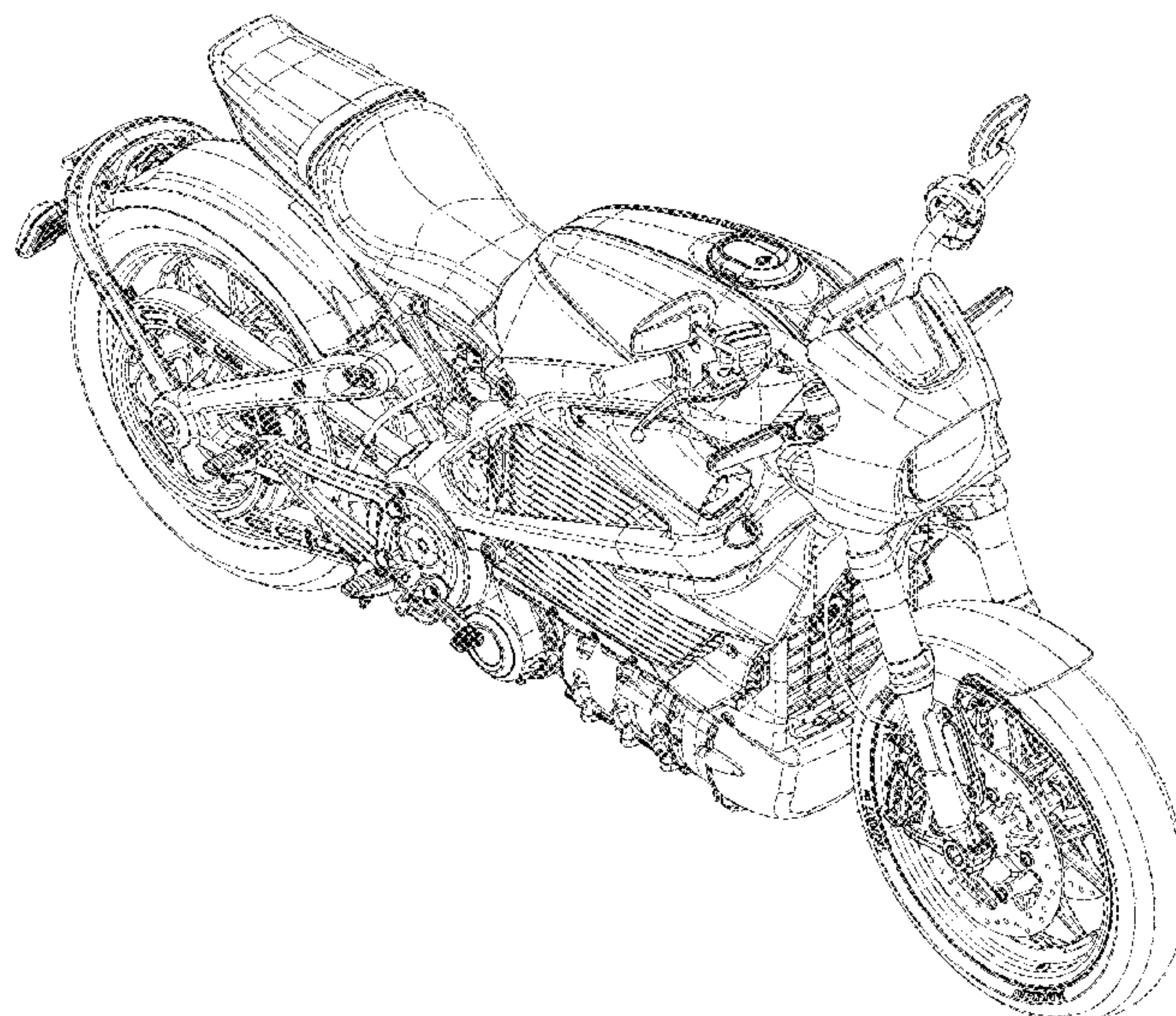
(57) **CLAIM**

We claim the ornamental design for a motorcycle, as shown and described.

DESCRIPTION

FIG. 1 is a front and right side perspective view of a motorcycle showing our new design;
 FIG. 2 is a rear and right side perspective view thereof;
 FIG. 3 is a front elevation view thereof;
 FIG. 4 is a rear elevation view thereof;
 FIG. 5 is a right side elevation view thereof;
 FIG. 6 is a left side elevation view thereof; and,
 FIG. 7 is a top plan view thereof.

1 Claim, 7 Drawing Sheets



(56)

References Cited

U.S. PATENT DOCUMENTS

4,982,973 A	1/1991	Saito et al.	D582,318 S *	12/2008	Kishi	D12/110
D314,740 S	2/1991	Abe et al.	D583,717 S	12/2008	Brown et al.	
D332,540 S	1/1993	Peterson	D587,184 S	2/2009	Kinsey	
5,480,001 A	1/1996	Hara	D588,054 S	3/2009	Xi-Ren	
D371,529 S	7/1996	Potter	D588,503 S *	3/2009	Idei	D12/110
5,542,706 A	8/1996	Kubly	D590,323 S	4/2009	Kishi et al.	
5,845,728 A	12/1998	Itoh et al.	D595,633 S	7/2009	Channel	
D404,002 S	1/1999	Puchkoff	D596,094 S	7/2009	Fukuyama et al.	
D409,539 S	5/1999	Hanlon et al.	D597,892 S *	8/2009	Andoh	D12/110
D409,964 S	5/1999	Hanlon et al.	D599,271 S	9/2009	Nagata et al.	
5,944,216 A	8/1999	Inaoka et al.	D605,087 S *	12/2009	Wong	D12/110
D432,486 S	10/2000	Krejci	D610,044 S *	2/2010	Sugimoto	D12/110
D440,920 S	4/2001	Nelson et al.	D617,703 S	6/2010	Limberger	
D442,521 S *	5/2001	Pan	D621,773 S	8/2010	Norman	
D456,317 S	4/2002	Nakazawa et al.	D626,055 S	10/2010	Watson	
D456,748 S *	5/2002	Keating	D627,283 S	11/2010	Limberger	
D456,758 S	5/2002	Krejci	D628,127 S	11/2010	LeBlanc	
6,381,823 B1	5/2002	Krejci	D632,630 S	2/2011	Watson	
6,478,335 B2	5/2002	Reed	D634,254 S	3/2011	Marlow	
D462,638 S *	9/2002	Davidson	D635,496 S	4/2011	Serbinski	
D470,799 S *	2/2003	Yamaguchi	D636,717 S	4/2011	Nashimoto	
6,557,876 B2	5/2003	Saiki et al.	D637,523 S *	5/2011	Sugimoto	D12/110
D482,304 S	11/2003	Song	7,934,738 B2	5/2011	Prieling et al.	
D482,311 S	11/2003	Song	8,079,642 B2	12/2011	Suzuki et al.	
D482,640 S *	11/2003	TaMuRa	D658,095 S	4/2012	Simon et al.	
D482,998 S	12/2003	Krejci	D660,202 S	5/2012	Petersson et al.	
D485,216 S	1/2004	Yamamoto et al.	8,317,376 B2	11/2012	Hook et al.	
6,725,519 B2	4/2004	Krejci	D674,323 S	1/2013	Tokumura et al.	
D493,409 S	7/2004	Krejci	D683,270 S *	5/2013	Song	D12/110
D493,410 S	7/2004	Krejci	D684,506 S	6/2013	Kobayashi	
D496,614 S	9/2004	Everitt et al.	D689,800 S	9/2013	Futamata et al.	
D496,886 S	10/2004	Everitt et al.	D690,625 S	10/2013	Futamata et al.	
D497,332 S	10/2004	Sugimoto et al.	D690,626 S	10/2013	Katagiri et al.	
D498,182 S	11/2004	Davidson et al.	D694,154 S *	11/2013	Arru	D12/110
D498,199 S	11/2004	Sugimoto et al.	D694,157 S	11/2013	Katagiri et al.	
D498,452 S	11/2004	James	D694,686 S	12/2013	Deluy et al.	
D498,727 S	11/2004	Uemoto et al.	D695,157 S	12/2013	Tsukui et al.	
D499,994 S	12/2004	Sugimoto et al.	D713,300 S	9/2014	Tateishi et al.	
D502,439 S	3/2005	Horsmann et al.	D716,704 S	11/2014	Schanz et al.	
D504,640 S *	5/2005	Conte	D724,810 S	3/2015	Eby	
D504,847 S	5/2005	James	D733,010 S	6/2015	Tako	
D506,163 S *	6/2005	Uemoto	D733,011 S	6/2015	Nishimoto et al.	
6,913,099 B2	7/2005	Scott	D737,192 S	8/2015	Yaffee	
D508,887 S	8/2005	Toy	D753,552 S	4/2016	McGinley et al.	
D509,638 S	9/2005	Moritz et al.	D755,086 S	5/2016	Christoph et al.	
D511,489 S	11/2005	Armstrong et al.	D766,135 S *	9/2016	Davidson	D12/110
D511,604 S	11/2005	Moritz et al.	9,463,702 B2	10/2016	Fukushima et al.	
D511,718 S *	11/2005	Manchester	9,493,207 B2	11/2016	Kawai	
6,964,314 B1	11/2005	Vey	D774,789 S	12/2016	Yamada	
D512,354 S	12/2005	Grove	D774,988 S	12/2016	Fujitake et al.	
D512,951 S	12/2005	Alsop	D781,920 S	3/2017	Hsu	
D514,498 S	2/2006	Alsop	D786,141 S	5/2017	Tachibana et al.	
D517,957 S *	3/2006	Savage	D787,396 S	5/2017	Serbinski	
D521,419 S	5/2006	Mezzasaima	D791,676 S	7/2017	Ozawa et al.	
D522,415 S	6/2006	Tanaka et al.	D795,139 S	8/2017	Rudwal et al.	
D524,192 S *	7/2006	Sugimoto	D803,105 S	11/2017	Tsuji et al.	
D525,919 S *	8/2006	Sugimoto	D803,107 S	11/2017	Petersson et al.	
D526,606 S	8/2006	Ban et al.	D807,152 S	1/2018	Hansen	
D527,314 S	8/2006	Czysz	9,902,450 B2 *	2/2018	Ishii	B62J 6/02
D528,045 S *	9/2006	Yin	D811,945 S	3/2018	Laliberte	
D529,421 S	10/2006	Shimizu et al.	D819,501 S	6/2018	Tartarini	
D533,490 S	12/2006	Tsukasaka et al.	D826,789 S	8/2018	Sears	
D538,213 S	3/2007	Fukuyama et al.	D826,790 S	8/2018	Sears	
D540,719 S	4/2007	Tako et al.	D827,505 S	9/2018	Tsukui et al.	
D541,706 S	5/2007	Goldstein	D839,921 S	2/2019	Savage et al.	
7,210,550 B2	5/2007	Yonehana et al.	D840,279 S	2/2019	Tako et al.	
D544,409 S	6/2007	Hutchinson	D846,451 S	4/2019	Carbonara et al.	
D544,816 S *	6/2007	Davidson	D847,053 S	4/2019	Klein et al.	
7,228,930 B1	6/2007	Vey	10,377,439 B2 *	8/2019	Nakamura	B60T 8/3685
D550,591 S *	9/2007	Mugikura	D867,225 S	11/2019	Li	
D551,142 S	9/2007	Simpson	2009/0126522 A1	5/2009	Albulushi et al.	
D558,120 S	12/2007	Watson et al.	2010/0181133 A1	7/2010	Mitomi et al.	
D567,148 S *	4/2008	Inose				

(56)

References Cited

U.S. PATENT DOCUMENTS

2014/0084623 A1 3/2014 Miyamoto et al.
2018/0215255 A1 8/2018 Kronsteiner et al.

OTHER PUBLICATIONS

Notice of Allowance issued from the US Patent Office for related
U.S. Appl. No. 29/658,216 dated Feb. 20, 2020 (10 Pages).

* cited by examiner

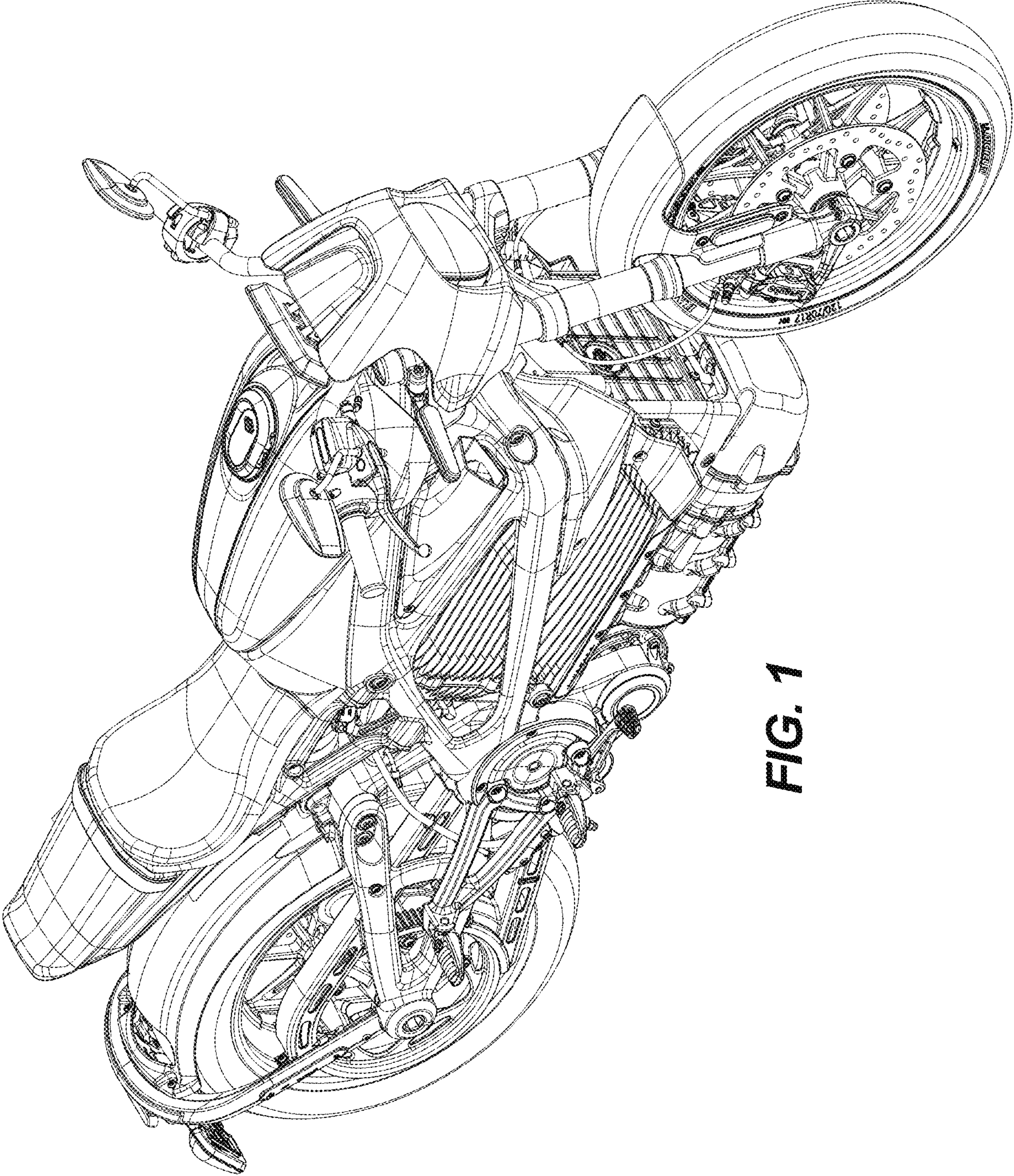


FIG. 1

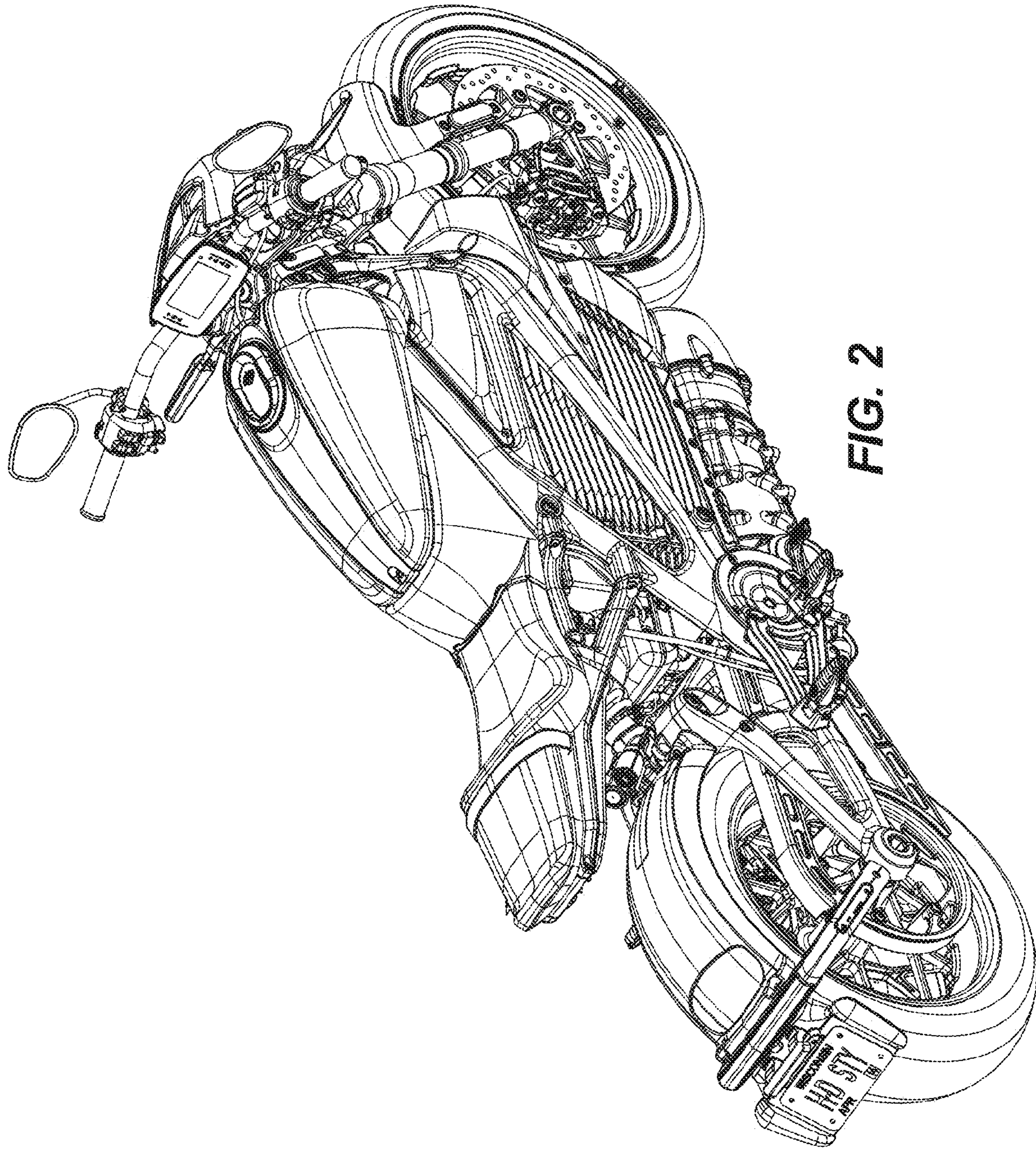


FIG. 2

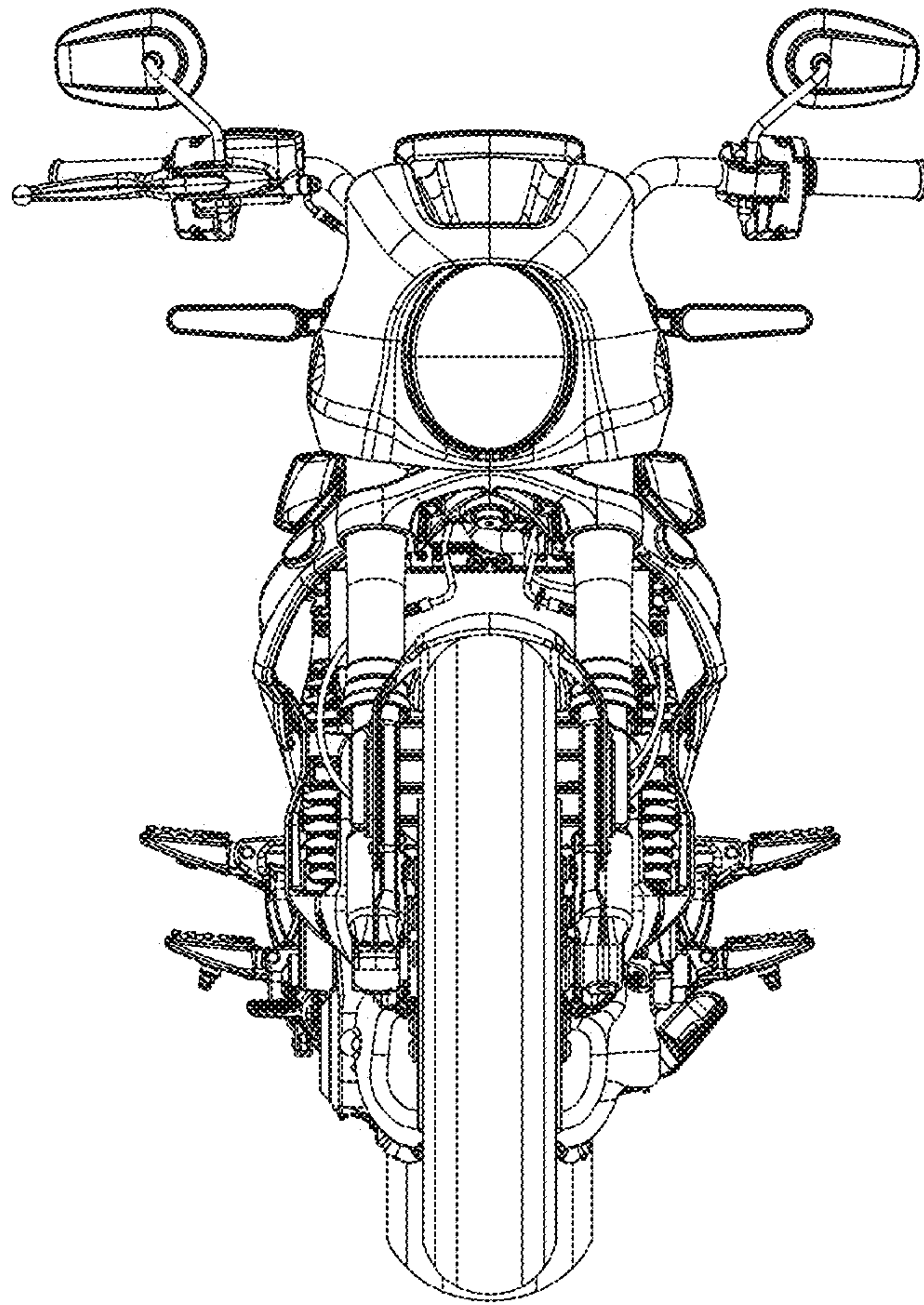


FIG. 3

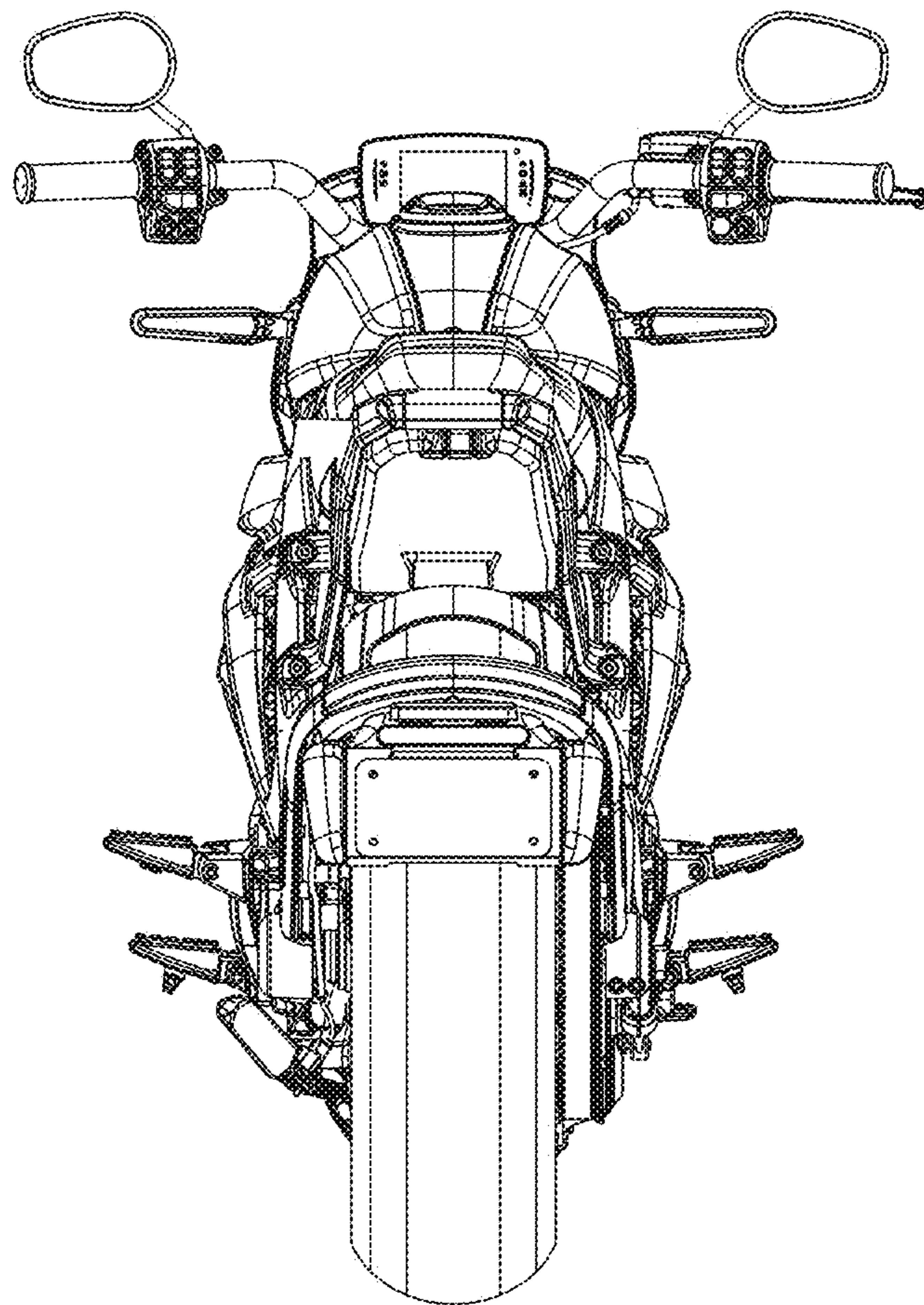


FIG. 4

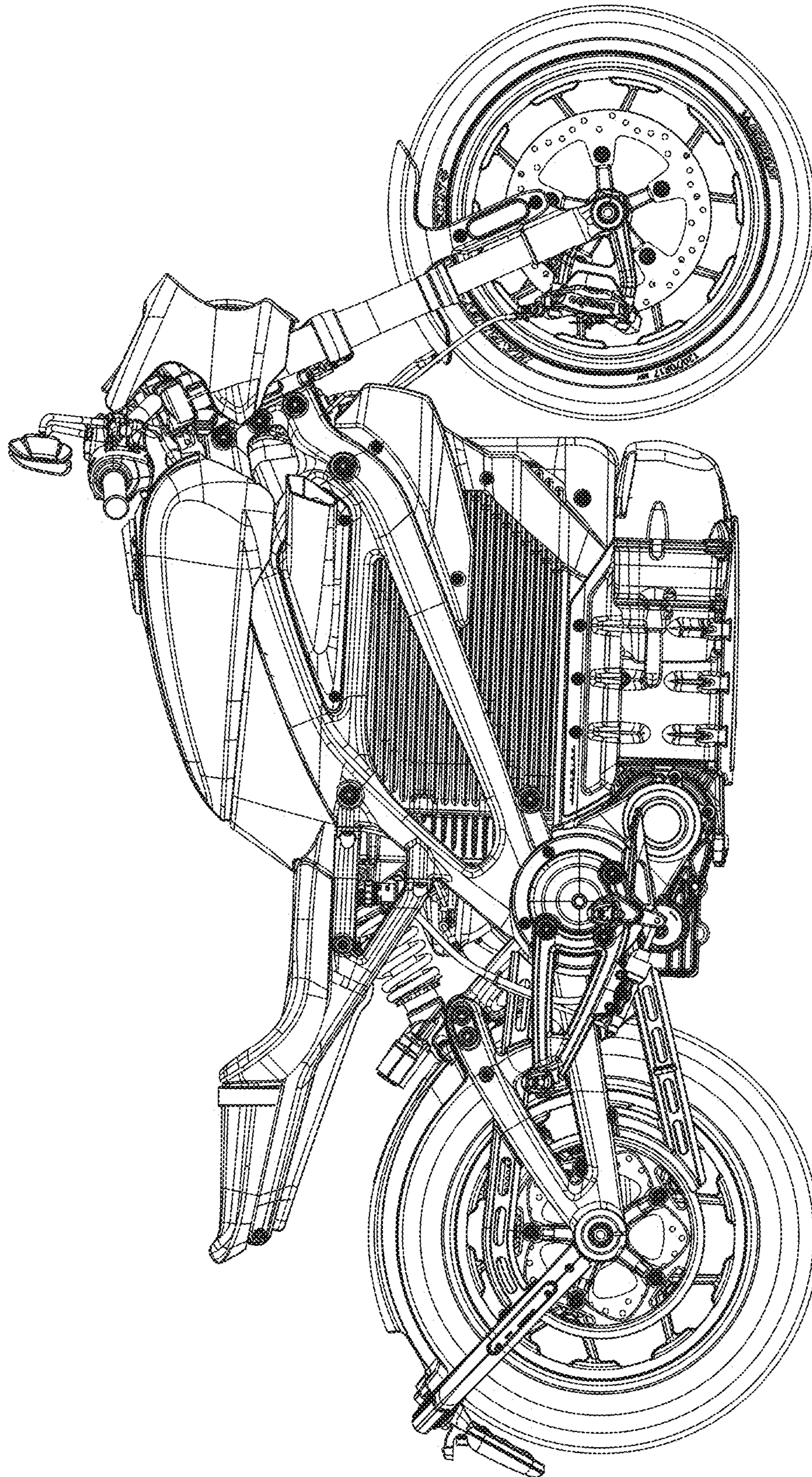


FIG. 5

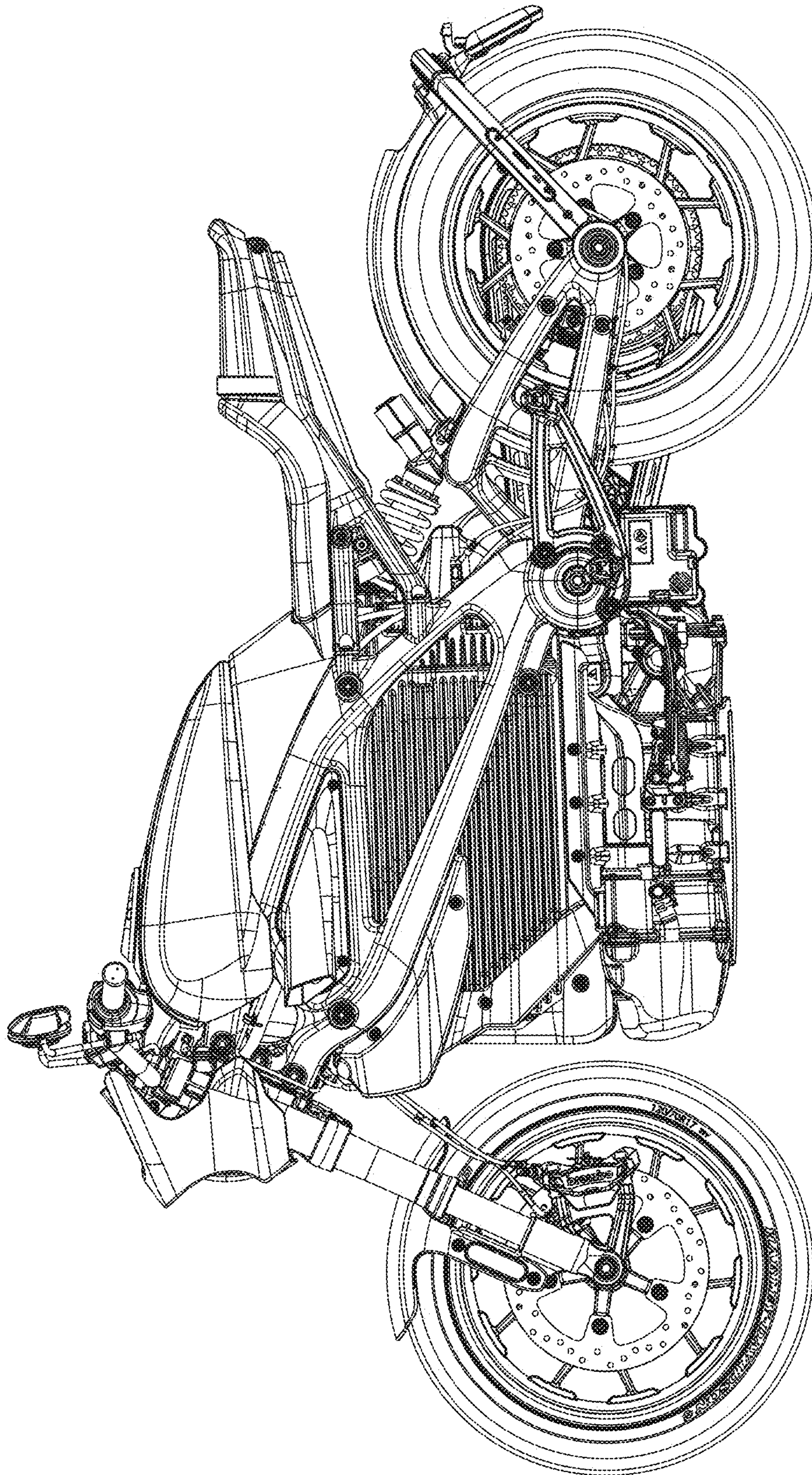


FIG. 6

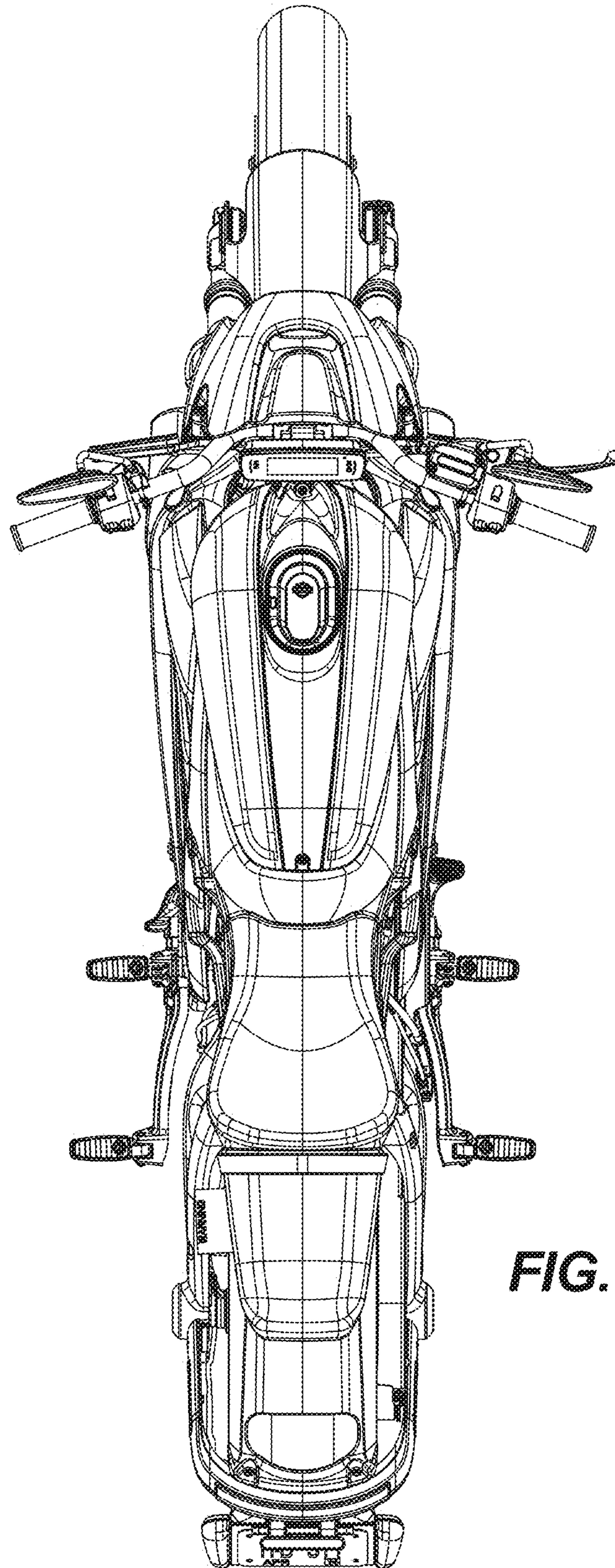


FIG. 7