



US00D895485S

(12) **United States Design Patent**
Han

(10) **Patent No.:** **US D895,485 S**

(45) **Date of Patent:** **** Sep. 8, 2020**

(54) **AUTOMOBILE**

(71) Applicants: **KIA MOTORS CORPORATION**,
Seoul (KR); **HYUNDAI MOTOR**
COMPANY, Seoul (KR)

(72) Inventor: **Hyun-Soo Han**, Seongnam (KR)

(**) Term: **15 Years**

(21) Appl. No.: **35/507,030**

(22) Filed: **Nov. 21, 2018**

(80) **Hague Agreement Data**

Int. Filing Date: **Nov. 21, 2018**

Int. Reg. No.: **DM/201690**

Int. Reg. Date: **Nov. 21, 2018**

Int. Reg. Pub. Date: **Jul. 5, 2019**

(30) **Foreign Application Priority Data**

Aug. 20, 2018 (KR) 30-2018-0038439

(51) **LOC (12) Cl.** **12-08**

(52) **U.S. Cl.**
USPC **D12/91**

(58) **Field of Classification Search**

USPC D12/91, 92, 181
See application file for complete search history.

(56) **References Cited**

U.S. PATENT DOCUMENTS

D712,312 S * 9/2014 Nakayama D12/91
D712,791 S * 9/2014 Scheinhutte D12/92

D815,987 S * 4/2018 Lian D12/91
D830,905 S * 10/2018 Nakajima D12/91
D830,908 S * 10/2018 Tamiya D12/91
D832,743 S * 11/2018 Kamiura D12/91
D848,314 S * 5/2019 van ver Haegen D12/91
D864,030 S * 10/2019 Yong D12/91
D873,177 S * 1/2020 Xu D12/91
D879,664 S * 3/2020 Chen D12/91
D881,069 S * 4/2020 Kubo D12/91

* cited by examiner

Primary Examiner — George D. Kirschbaum

(57) **CLAIM**

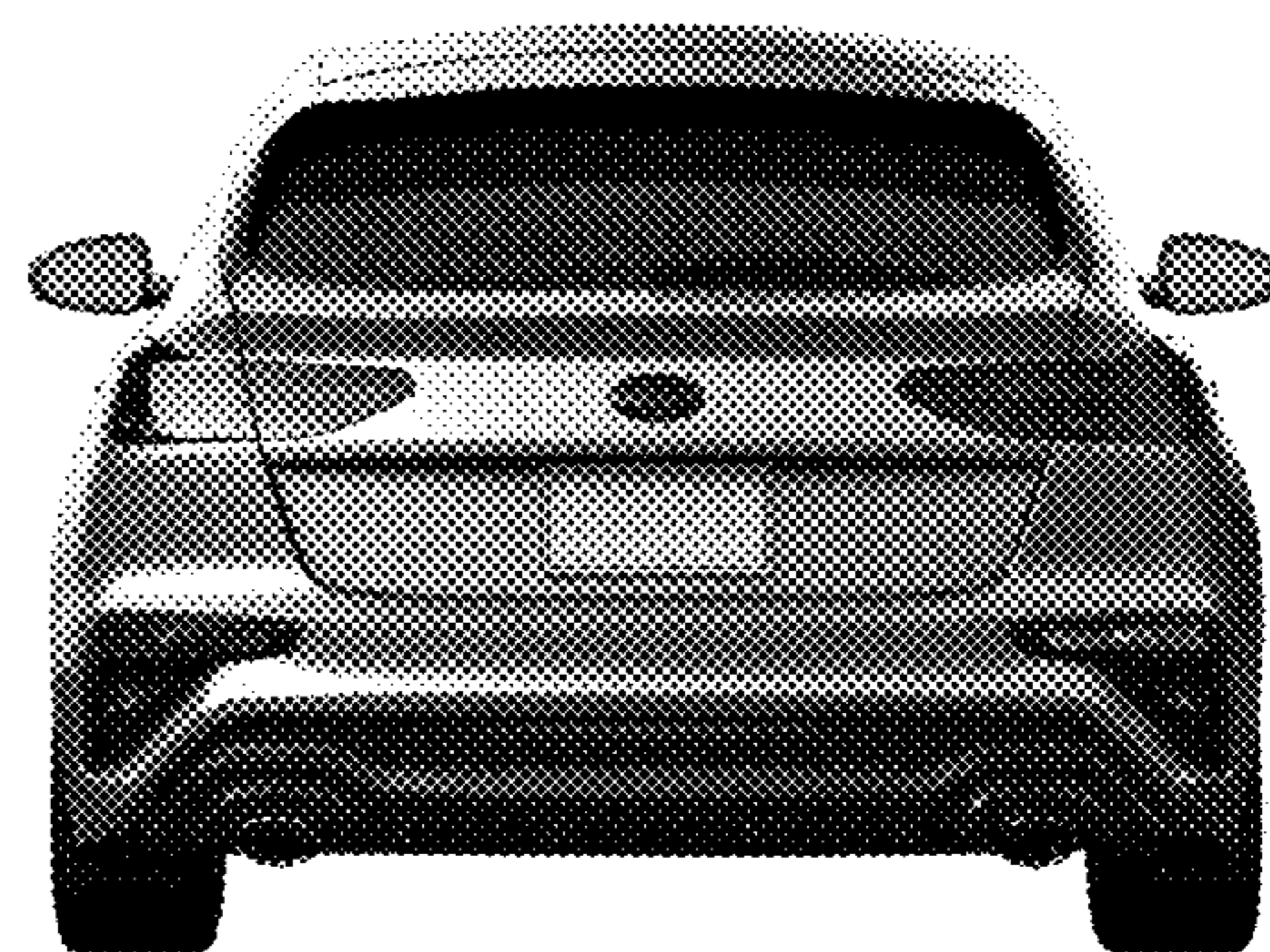
The ornamental design for an automobile, as shown and described.

DESCRIPTION

- 1. Automobile
- 1.1 : Perspective
- 1.2 : Perspective
- 1.3 : Front
- 1.4 : Back
- 1.5 : Left
- 1.6 : Right

Reproduction 1.1 is a front perspective view of an automobile showing our new design; reproduction 1.2 is a rear perspective view thereof; reproduction 1.3 is a front view thereof; reproduction 1.4 is a back view thereof; reproduction 1.5 is a left view thereof; and reproduction 1.6 is a right view thereof.

1 Claim, 6 Drawing Sheets



1.1



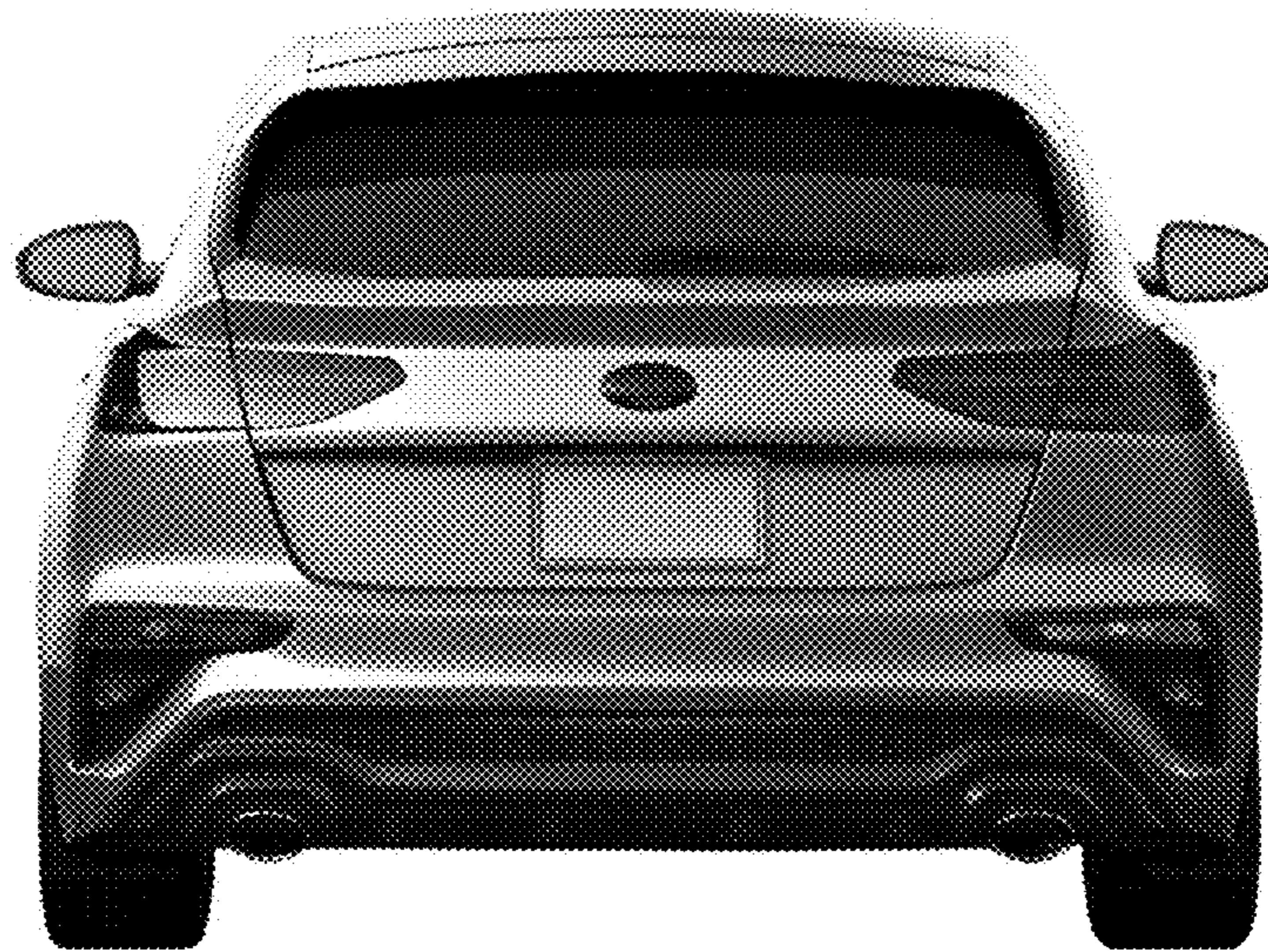
1.2



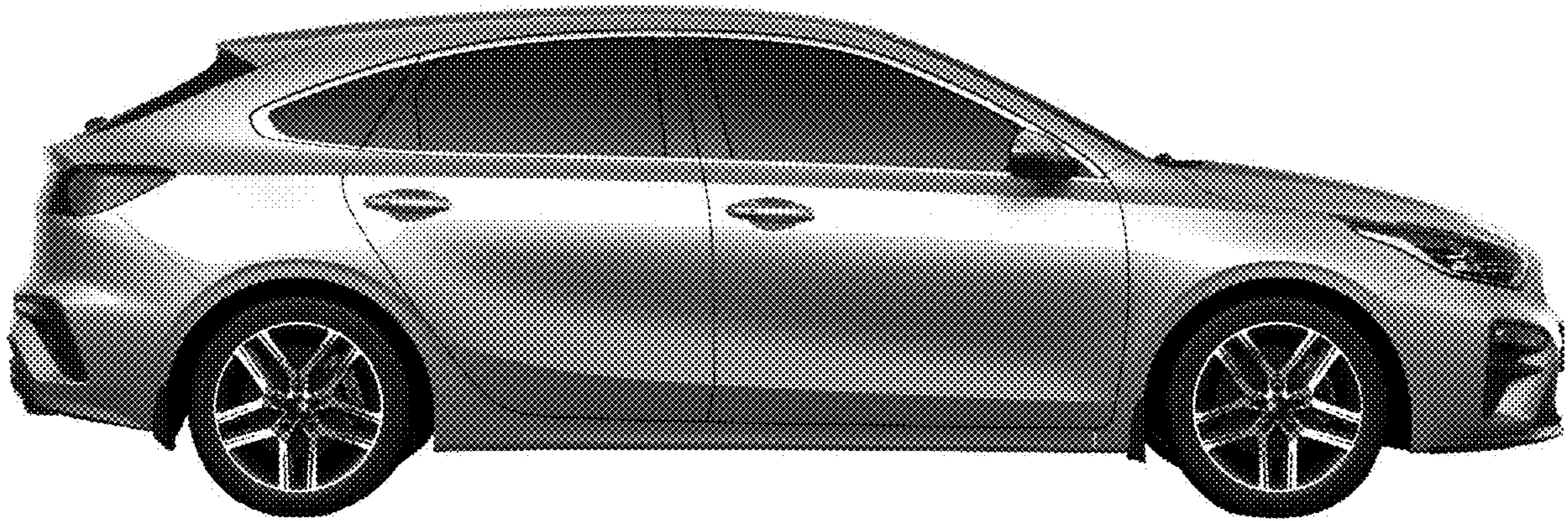
1.3



1.4



1.5



1.6

