



US00D895476S

(12) **United States Design Patent** (10) **Patent No.:** **US D895,476 S**
Gratt et al. (45) **Date of Patent:** **** Sep. 8, 2020**

(54) **DIAMOND JEWELRY ITEM**
(71) Applicants: **Sam Gratt**, New York, NY (US);
Ritesh Jain, New York, NY (US)
(72) Inventors: **Sam Gratt**, New York, NY (US);
Ritesh Jain, New York, NY (US)
(**) Term: **15 Years**
(21) Appl. No.: **29/694,596**
(22) Filed: **Jun. 12, 2019**
(51) **LOC (12) Cl.** **11-01**
(52) **U.S. Cl.**
USPC **D11/91**
(58) **Field of Classification Search**
USPC D11/1, 48, 81, 86, 89-92, 93, 96
CPC A44C 17/00; A44C 17/001; A44C 17/02;
A44C 17/0208; A44C 17/0241; A44C
17/0258; A44C 17/0283; A44C 17/04;
A44C 1/00; A44C 25/001; A44C 7/00;
A44C 7/001; A44C 9/00
See application file for complete search history.

D580,815 S 11/2008 Powell
D596,067 S * 7/2009 Gersh D11/89
D600,156 S * 9/2009 Gersh D11/89
D638,741 S * 5/2011 Barbalace D11/96
D802,469 S 11/2017 Letney

OTHER PUBLICATIONS

Pendants and Charms by Bez Ambar, The Perfect Cross, published Jul. 12, 2014, online. Site acquired on Apr. 22, 2020. Internet URL:<“https://web.archive.org/web/20140712001047/http://www.bezambar.com/shop/perfect-cross-diamond-pendant-baguettes/”> (Year: 2014).*
Diamond Cross Pendant, Jacob and Co., published Apr. 14, 2016, online. Site acquired on Apr. 22, 2020. Internet URL:<“https://web.archive.org/web/20161201220249/http://www.jacobandco.com/jewelry/diamond-cross-pendant”> (Year: 2016).*

* cited by examiner

Primary Examiner — Llorellys Martinez
(74) *Attorney, Agent, or Firm* — Goldstein Law Offices, P.C.

(57) **CLAIM**

The ornamental design for a diamond jewelry item, as shown and described.

DESCRIPTION

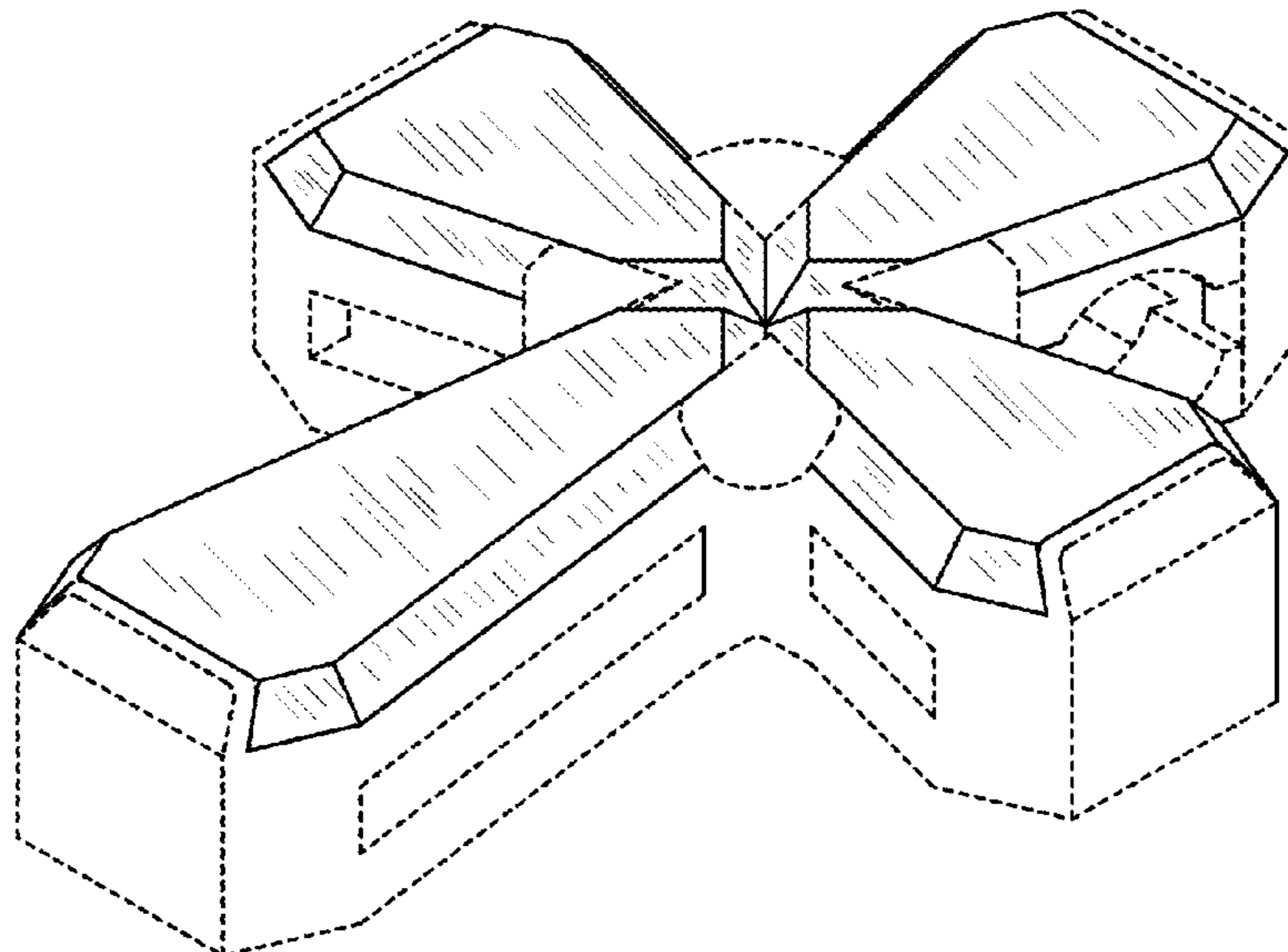
FIG. 1 is a perspective view of a diamond jewelry item showing our new design.
FIG. 2 is a top plan view thereof.
FIG. 3 is a bottom plan view thereof.
FIG. 4 is a front elevational view thereof.
FIG. 5 is a rear elevational view thereof.
FIG. 6 is a left side elevational view thereof; and,
FIG. 7 is a right side elevational view thereof.
The broken lines in the drawings represent portions of the diamond jewelry item that form no part of the claimed design.

1 Claim, 5 Drawing Sheets

(56) **References Cited**

U.S. PATENT DOCUMENTS

D10,652 S * 4/1878 Briggs D11/81
D46,571 S * 10/1914 Mix D11/81
D47,014 S * 2/1915 Schenck D11/90
D194,369 S 1/1963 Kampf
D216,371 S * 12/1969 Winchell D11/81
D255,279 S * 6/1980 Graves D11/96
D259,477 S * 6/1981 Najjar D11/90
D259,548 S * 6/1981 Najjar D11/90
D262,200 S * 12/1981 Kirwan D11/90
D368,869 S * 4/1996 Pinchasov D11/90
D379,330 S * 5/1997 Krizan D11/96
D466,045 S * 11/2002 Yacoubian D11/90
D466,434 S * 12/2002 Yacoubian D11/90
D467,516 S * 12/2002 Yacoubian D11/90
D485,206 S * 1/2004 Pachachi D11/96



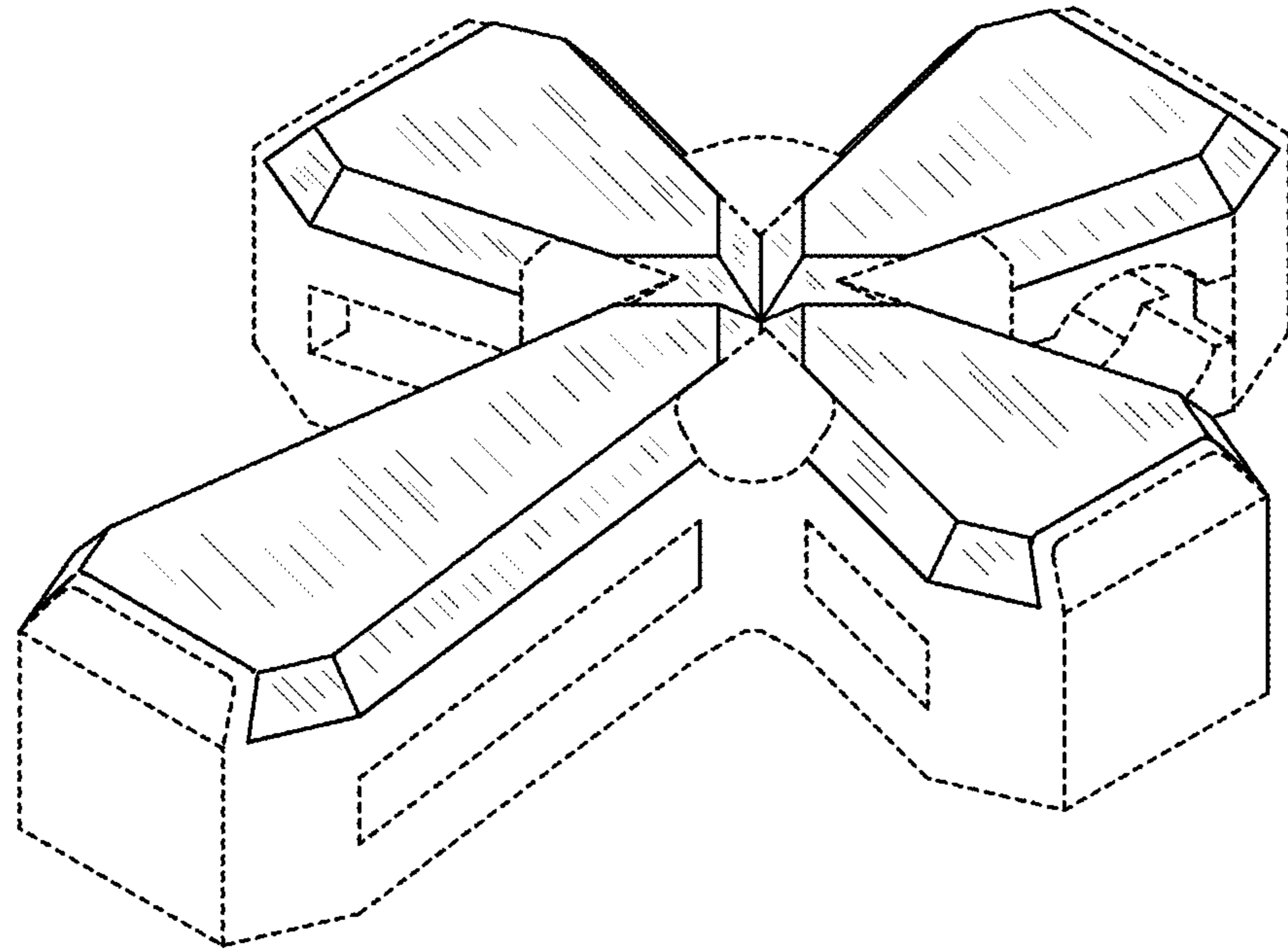


FIG. 1

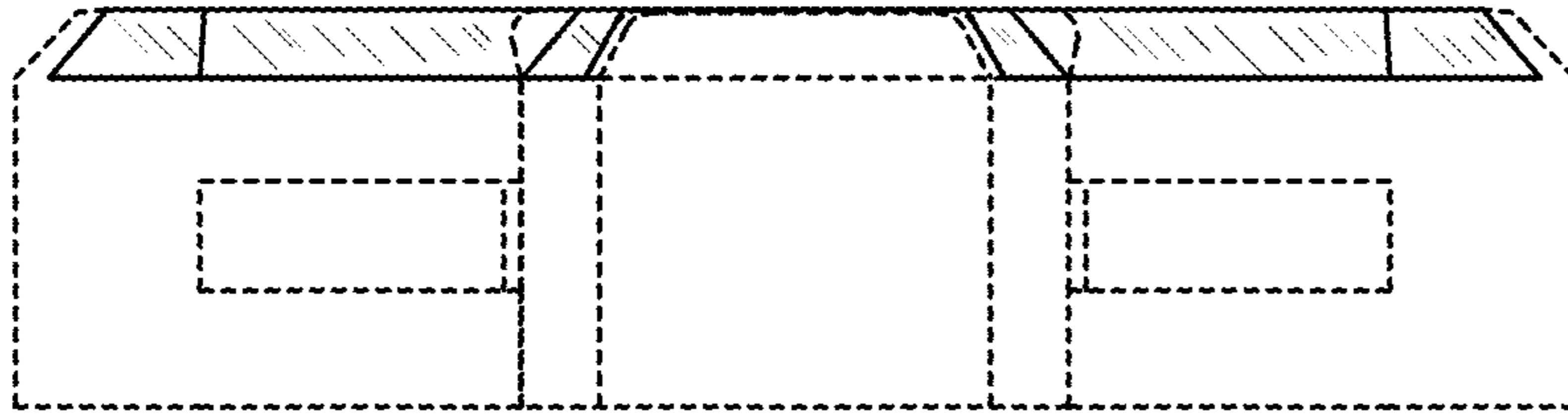


FIG. 2

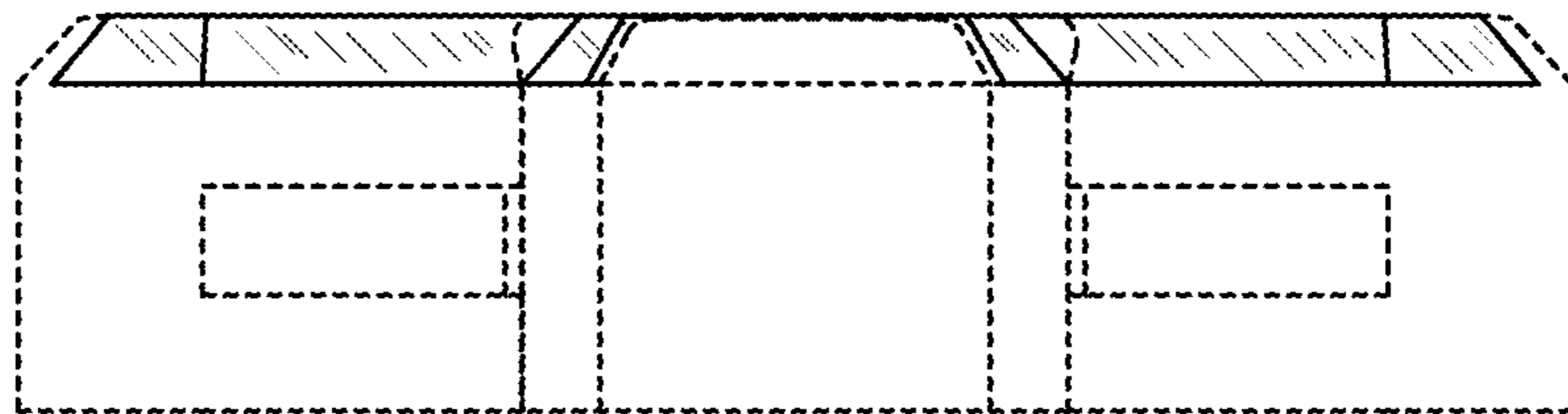


FIG. 3

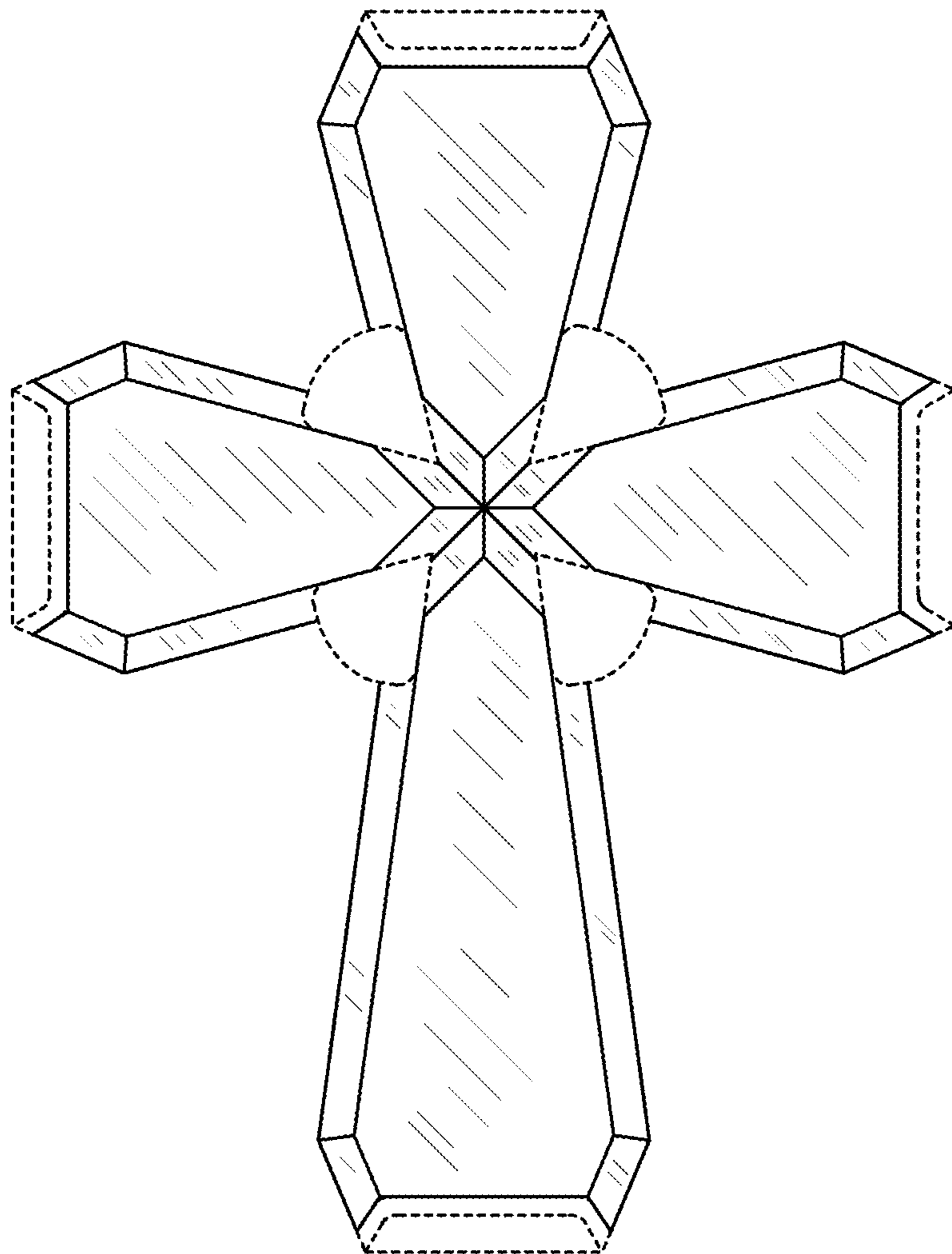


FIG. 4

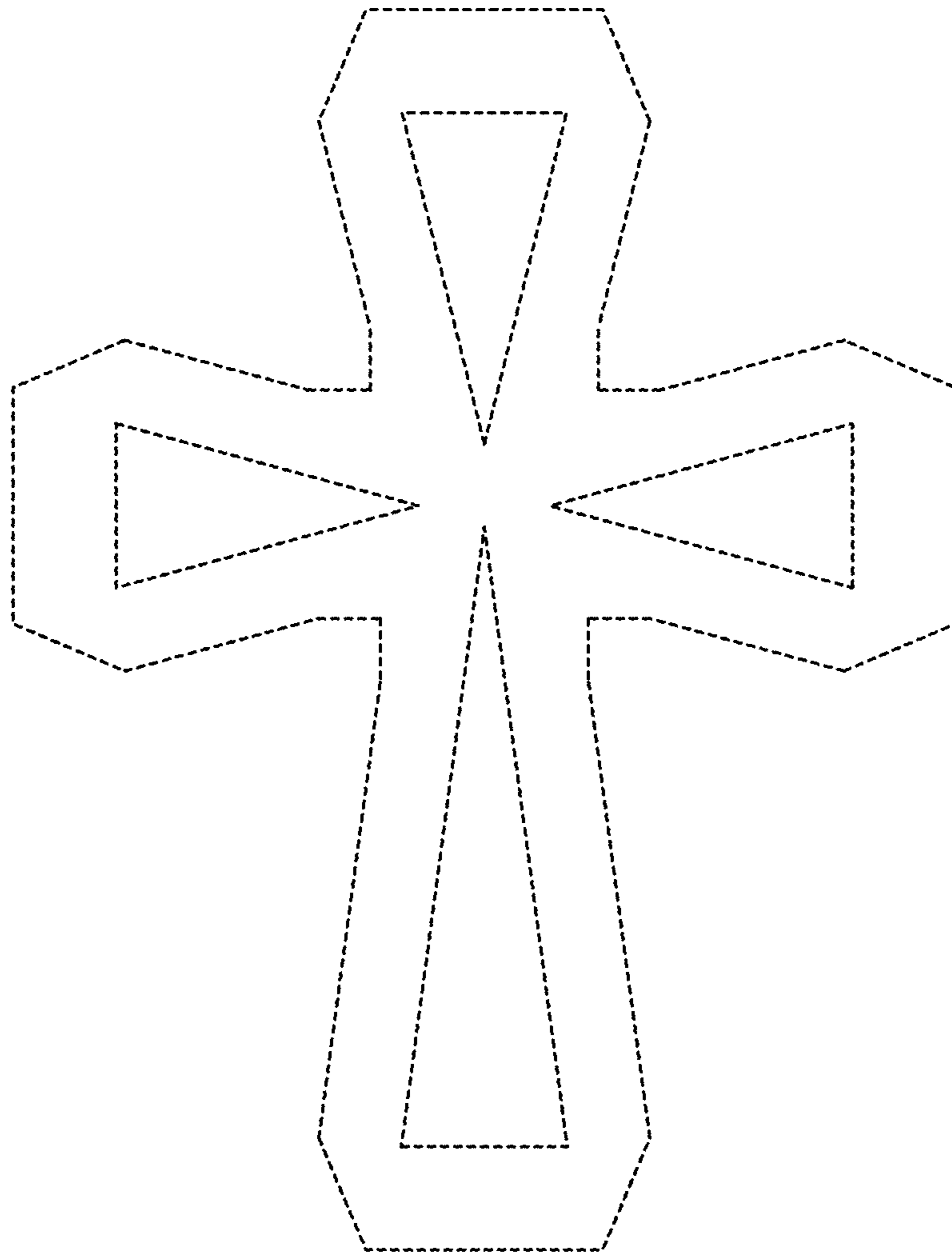


FIG. 5

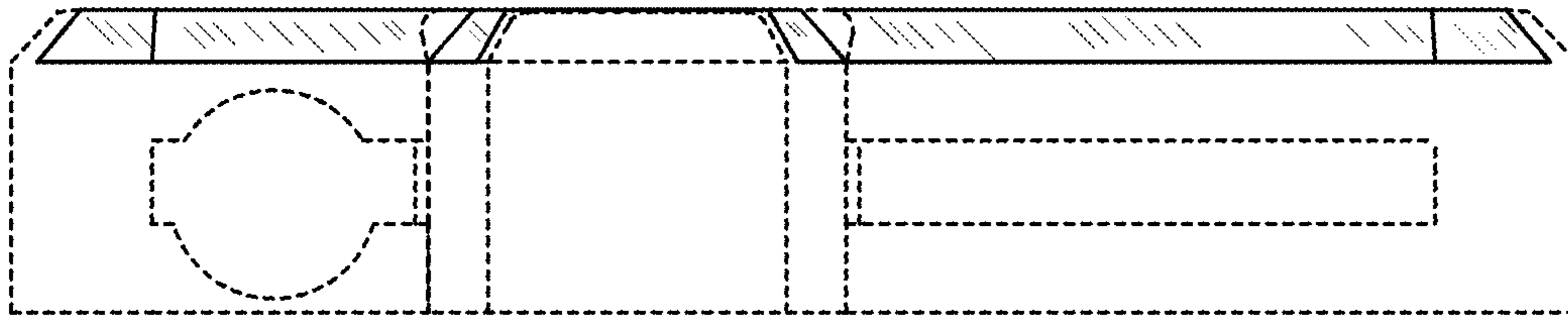


FIG. 6

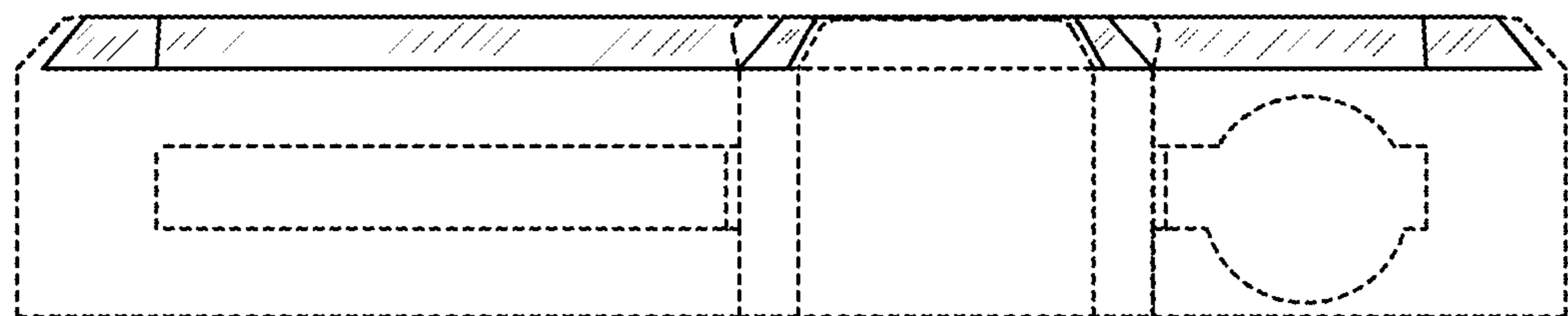


FIG. 7