



US00D895468S

(12) **United States Design Patent** (10) **Patent No.:** **US D895,468 S**
Morimoto (45) **Date of Patent:** **** Sep. 8, 2020**

(54) **SEGMENT OF A WEARABLE DEVICE**

(71) Applicant: **SONY CORPORATION**, Tokyo (JP)

(72) Inventor: **So Morimoto**, Surrey (GB)

(73) Assignee: **SONY CORPORATION**, Tokyo (JP)

(**) Term: **15 Years**

(21) Appl. No.: **29/605,431**

(22) Filed: **May 25, 2017**

Related U.S. Application Data

(62) Division of application No. 29/555,735, filed on Feb. 24, 2016, now Pat. No. Des. 787,954.

(30) **Foreign Application Priority Data**

Aug. 24, 2015 (JP) D2015-018542

(51) **LOC (12) Cl.** **10-07**

(52) **U.S. Cl.**
USPC **D10/128; D14/217**

(58) **Field of Classification Search**
USPC D10/30, 65, 132, 70, 80, 128; D11/3, 94,
D11/93, 4, 5, 26, 37, 39; D14/138 R,
D14/344, 440, 447, 372, 471, 432, 433,
D14/454, 455, 299, 217
CPC ... G06F 3/00; G06F 3/01; G06F 3/014; G06F
3/0308; G06F 2203/0337
See application file for complete search history.

(56) **References Cited**

U.S. PATENT DOCUMENTS

- D439,861 S 4/2001 Dumas
- D447,705 S 9/2001 Scheufele
- D459,242 S 6/2002 Wunderman
- D469,363 S 1/2003 Mittersinker et al.
- D486,078 S 2/2004 de Baschmakoff
- D491,479 S * 6/2004 Hsu D10/70
- D505,231 S * 5/2005 Jones D11/5

- D517,432 S 3/2006 Laucella
 - D520,384 S 5/2006 Scheufele
 - D521,395 S 5/2006 Slimane
 - D535,993 S * 1/2007 Ueda D14/480.7
 - D537,371 S 2/2007 Belamich
- (Continued)

FOREIGN PATENT DOCUMENTS

- JP 1488167 S 1/2014
- JP 1497260 S 5/2014

OTHER PUBLICATIONS

Amazon, Men's Titanium Cuff Bracelet, posted Jun. 18, 2015, [online], [visited Jun. 26, 2019]. Internet, URL: https://www.amazon.co.uk/Titanium-Bracelet-Black-Inlays-Suay/dp/B00ZXZVVSM/ref=olp_product_details?_encoding=UTF8&me= (Year: 2015).*

(Continued)

Primary Examiner — Sheryl Lane
Assistant Examiner — Samantha N Wood
(74) *Attorney, Agent, or Firm* — Michael Best and Friedrich LLP

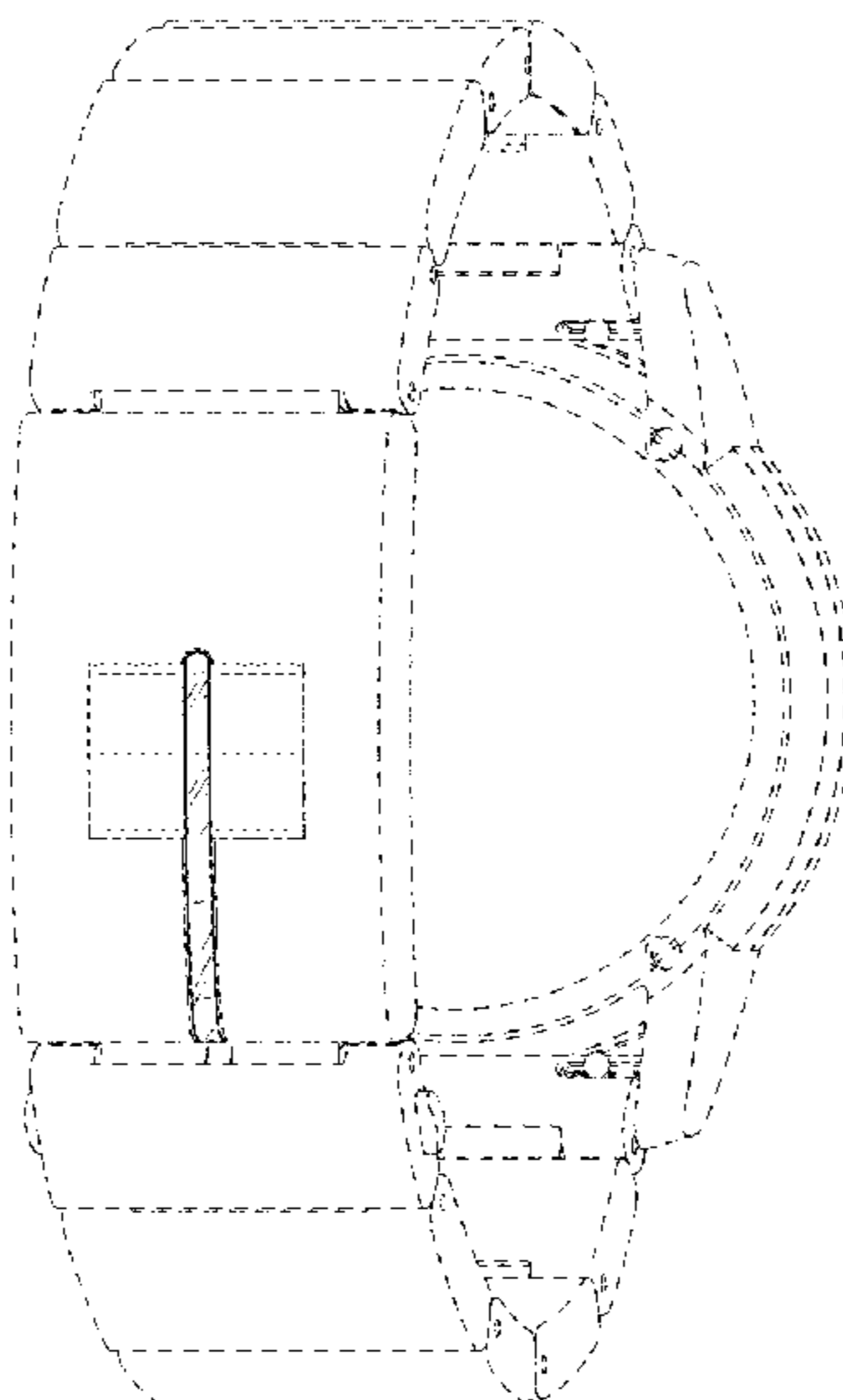
(57) **CLAIM**

The ornamental design for a segment of a wearable device, as shown and described.

DESCRIPTION

FIG. 1 is a rear, left perspective view of a segment of a wearable device showing my new design; FIG. 2 is a rear elevational view thereof; FIG. 3 is a top plan view thereof; and, FIG. 4 is a bottom plan view thereof. The even-dash broken lines constituting a portion of the wearable device form no part of the claimed design. Dot-dash broken lines showing of a part of the wearable device define the boundaries of the claimed design and form no part of the claimed design.

1 Claim, 4 Drawing Sheets



(56)

References Cited

U.S. PATENT DOCUMENTS

D540,697 S 4/2007 Kojima
 D545,697 S 7/2007 Martin
 D556,733 S * 12/2007 Law D14/168
 D567,216 S * 4/2008 Densho D14/205
 D567,798 S * 4/2008 Oka D14/167
 D568,176 S 5/2008 Monachon
 D568,769 S 5/2008 Emch Ducommun
 D574,732 S 8/2008 Wunderman
 D575,656 S 8/2008 Scholpp
 D576,509 S 9/2008 Scholpp
 D577,303 S 9/2008 Lalo
 D577,611 S 9/2008 Lalo
 D578,900 S 10/2008 Nisembaum
 D588,940 S 3/2009 Kuchler
 D590,274 S 4/2009 Monachon
 D594,351 S 6/2009 Tonohori
 D600,140 S 9/2009 Giannini
 D610,032 S * 2/2010 White D11/26
 D617,231 S * 6/2010 Adamson D11/4
 D623,549 S * 9/2010 Yan D10/128
 D656,416 S 3/2012 Monachon
 D658,084 S 4/2012 Cerrato
 D703,553 S 4/2014 Monachon
 D705,088 S 5/2014 Emch
 D706,650 S 6/2014 Emch
 D707,570 S 6/2014 McCormick
 D717,668 S 11/2014 Sugiura
 D719,850 S 12/2014 Kita
 D720,240 S 12/2014 Takahashi
 D724,453 S 3/2015 Ogihara et al.
 D726,572 S * 4/2015 Walters D11/3

D736,664 S 8/2015 Paradise et al.
 D738,227 S 9/2015 Monachon
 D749,448 S 2/2016 Monachon
 D773,333 S 12/2016 Monachon
 D774,926 S 12/2016 Butler
 D821,391 S * 6/2018 Chugh D14/344
 2003/0006965 A1 * 1/2003 Bohn G06F 3/03543
 345/163

OTHER PUBLICATIONS

Amazon, King Will Nature Wedding Band, posted Feb. 21, 2014, [online], [visited Jun. 26, 2019]. Internet, URL: https://www.amazon.co.uk/NATURE-Tungsten-Carbide-Wedding-Engagement/dp/B07C7F65FC/ref=sr_1_37?keywords=ring+with+wood+inlay&qid=1561562970&s=gateway&sr=8-37 (Year: 2014).*

Youtube, How to Make a Ring on the Lathe, posted Jul. 12, 2015, [online], [visited Jun. 26, 2019]. Internet, URL: <https://www.youtube.com/watch?v=g4gA2EI8gOQ> (Year: 2015).*

Youtube, Polished Tungsten Carbide Ring with Black Resin Inlay, posted Jul. 21, 2009, [online], [visited Jun. 26, 2019]. Internet, URL: <https://www.youtube.com/watch?v=8Exzs9GY96Y> (Year: 2009).*

Youtube, Inlay Titanium Rings—18k Gold and Platinum, posted Sep. 30, 2014, [online], [visited Jun. 26, 2019]. Internet, URL: https://www.youtube.com/watch?v=H5I9t6j_hPs (Year: 2014).*

Amazon, Bling Jewelry Black Inlay Men's Wedding Band, posted Oct. 4, 2012, [online], [visited Nov. 8, 2019]. Internet, URL: https://www.amazon.co.uk/Bling-Jewelry-Titanium-Wedding-Simulated/dp/B00JPIXHGW/ref=sr_1_151?dchild=1&keywords=RING+WITH+INLAY&qid=1573234265&sr=8-151 (Year: 2012).*

* cited by examiner

FIG.1

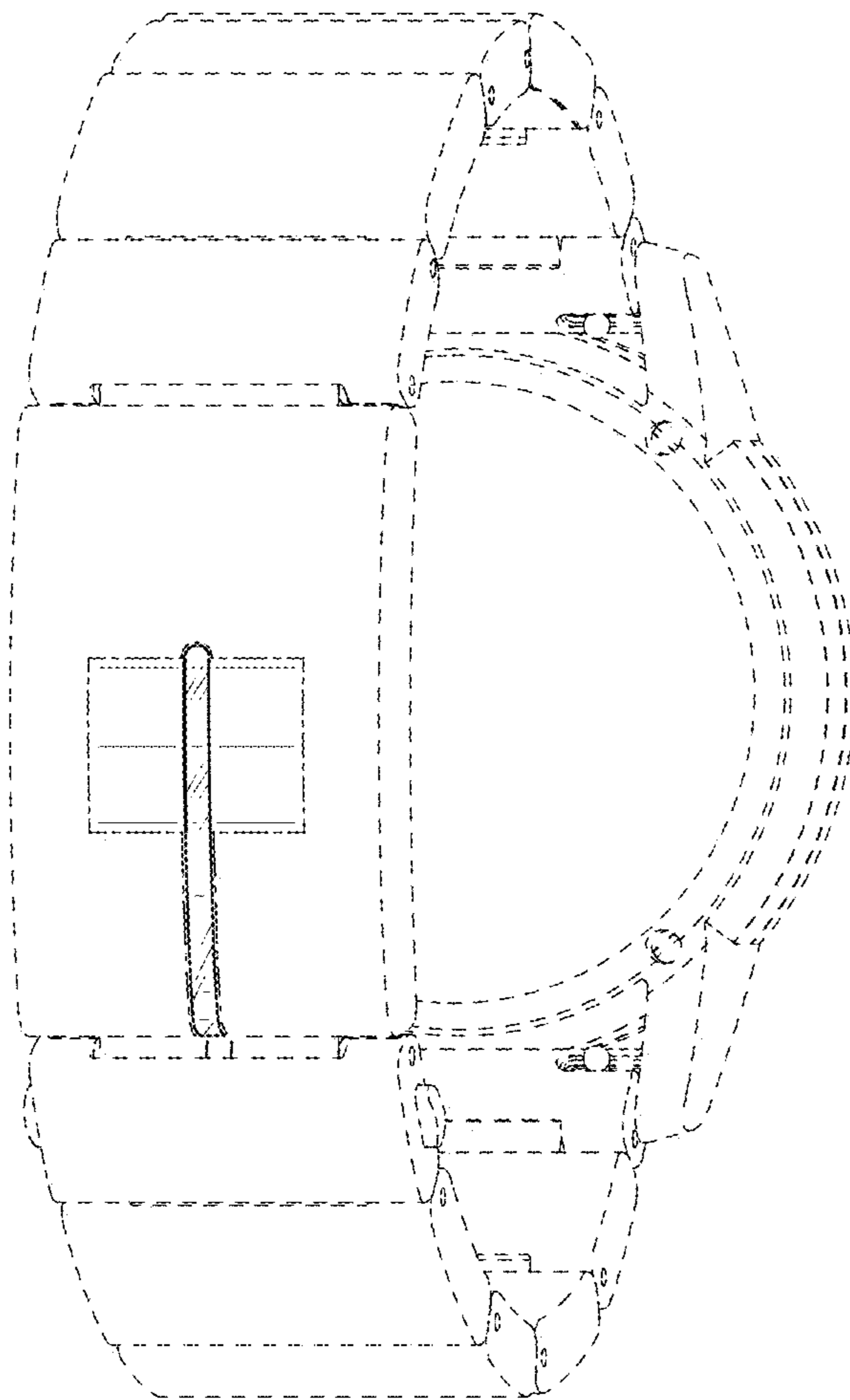


FIG.2

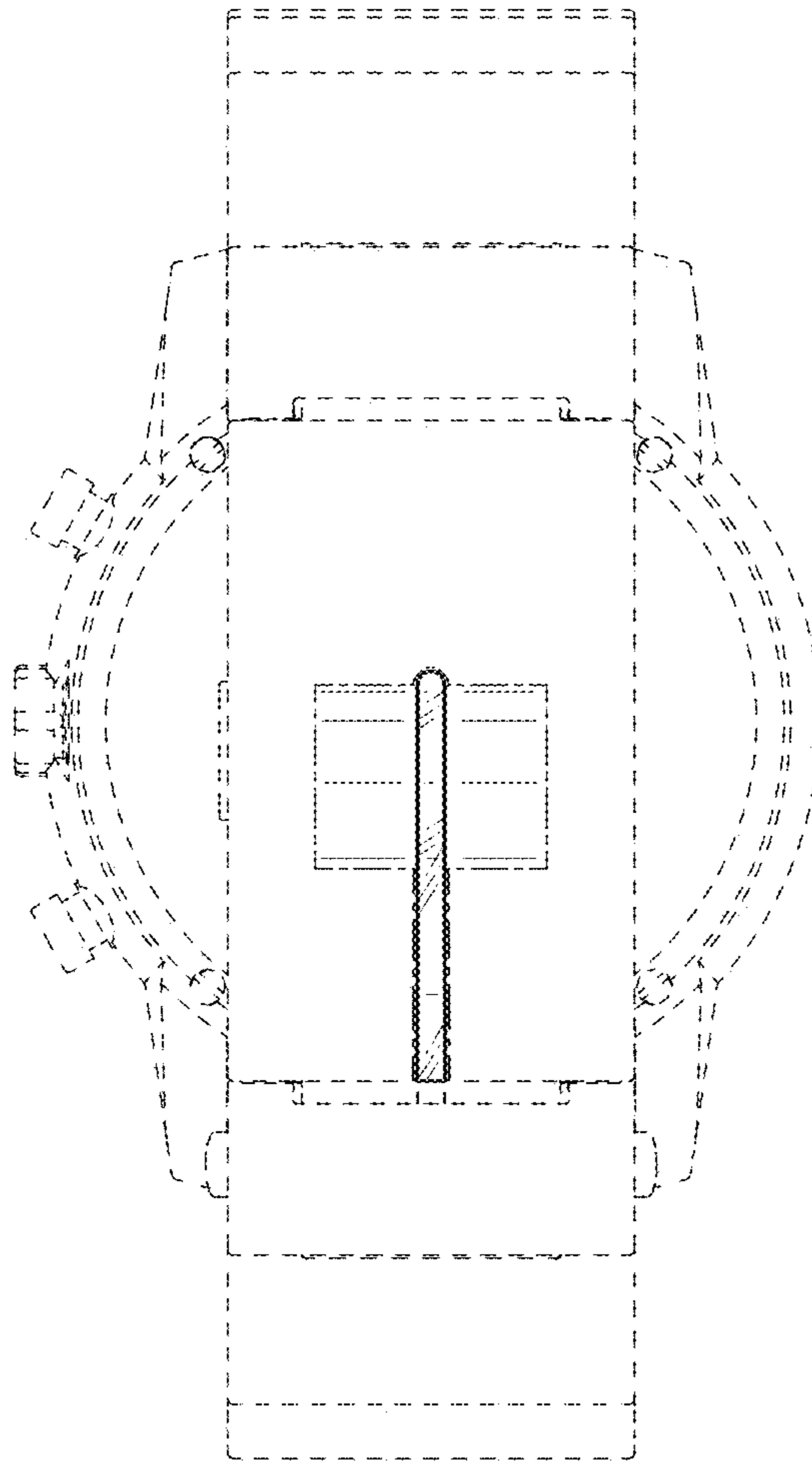


FIG.3

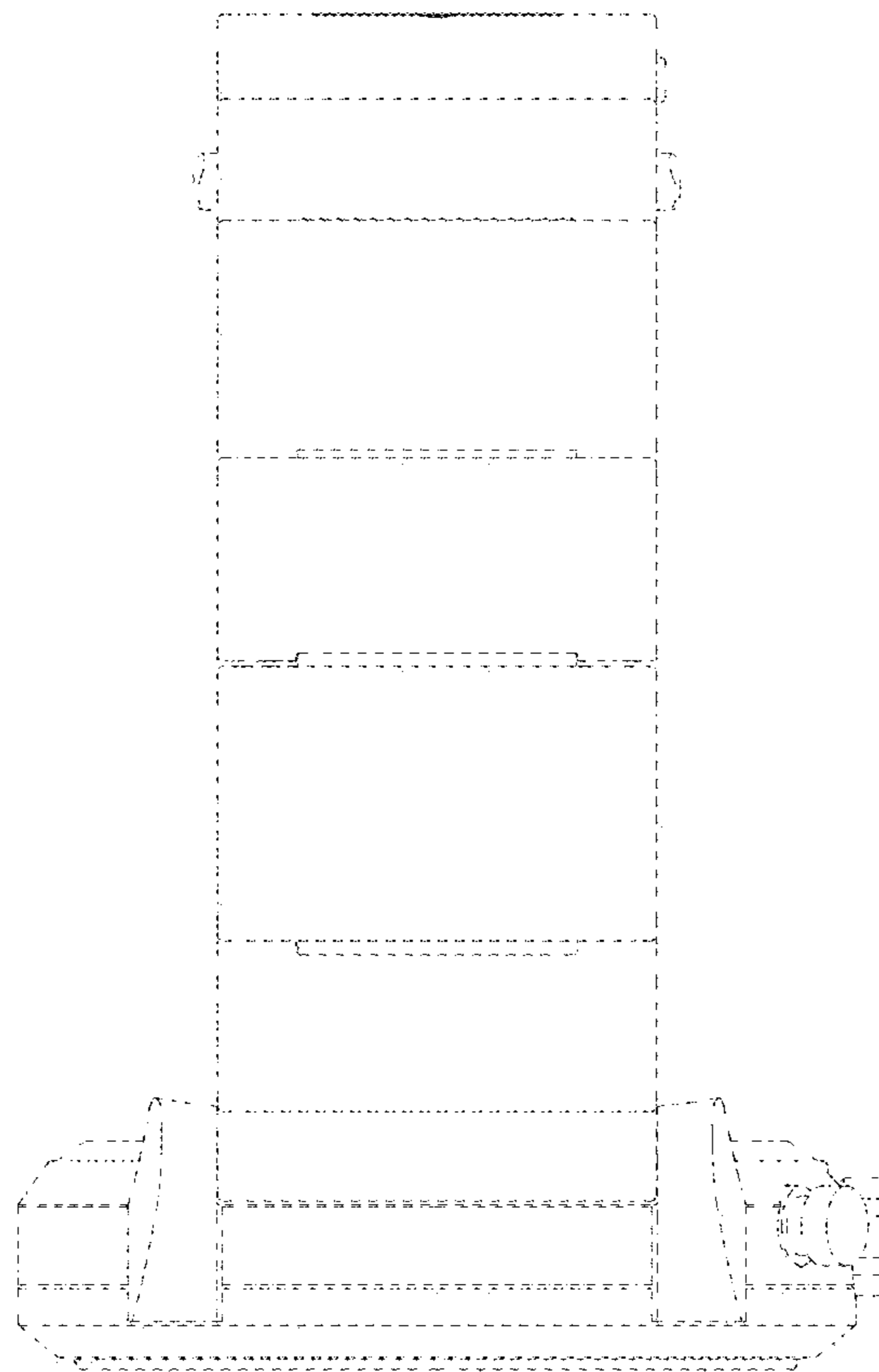


FIG.4

