

US00D895466S

(12) **United States Design Patent** (10) **Patent No.:** **US D895,466 S**
Yu (45) **Date of Patent:** **** Sep. 8, 2020**

(54) **WIFI VIDEO DOORBELL**
(71) Applicant: **Shenzhen Longzhiyuan Technology Co., Ltd.**, Shenzhen (CN)
(72) Inventor: **Mengchu Yu**, Shenzhen (CN)
(73) Assignee: **SHENZHEN LONGZHUYUAN TECHNOLOGY CO., LTD.**, Shenzhen (CN)
(**) Term: **15 Years**

| | | | | |
|--------------|---------|--------------|-------|-----------|
| D768,015 S * | 10/2016 | Yang | | D10/118.2 |
| D778,755 S * | 2/2017 | Yang | | D10/118.2 |
| D793,263 S * | 8/2017 | Ye | | D10/118.2 |
| D793,264 S * | 8/2017 | Ye | | D10/118.2 |
| D793,265 S * | 8/2017 | Ye | | D10/118.2 |
| D794,488 S * | 8/2017 | Ye | | D10/118.2 |
| D800,005 S * | 10/2017 | Wong | | D10/118.2 |
| D816,528 S * | 5/2018 | Wen | | D10/118.2 |
| D839,761 S * | 2/2019 | Schoenfelder | | D10/118.2 |
| D840,258 S * | 2/2019 | Scalisi | | D10/118.2 |
| D841,509 S * | 2/2019 | Yang | | D10/118.2 |
| D848,299 S * | 5/2019 | Li | | D10/118.2 |
| D866,381 S * | 11/2019 | Siminoff | | D10/120 |
| D867,918 S * | 11/2019 | Wong | | D10/118.2 |

(21) Appl. No.: **29/693,776**

* cited by examiner

(22) Filed: **Jun. 5, 2019**

Primary Examiner — George D. Kirschbaum
Assistant Examiner — Joseph J Kukella

(30) **Foreign Application Priority Data**

(74) *Attorney, Agent, or Firm* — Dragon Sun Law Firm, PC; Jinggao Li, Esq.

Jan. 24, 2019 (CN) 2019 3 0041782

(51) **LOC (12) Cl.** **10-05**

(57) **CLAIM**

(52) **U.S. Cl.**
USPC **D10/118.2**

The ornamental design for a WiFi video doorbell, as shown and described.

(58) **Field of Classification Search**
USPC D10/104.1, 108, 116.1, 118, 118.2, D10/121-126; D16/202, 203, 208, 209, D16/215
CPC ... G08B 3/00; G08B 3/10; G08B 7/00; G08B 7/06; G08B 13/1436; G08B 13/1463; G08B 13/1481
See application file for complete search history.

DESCRIPTION

(56) **References Cited**

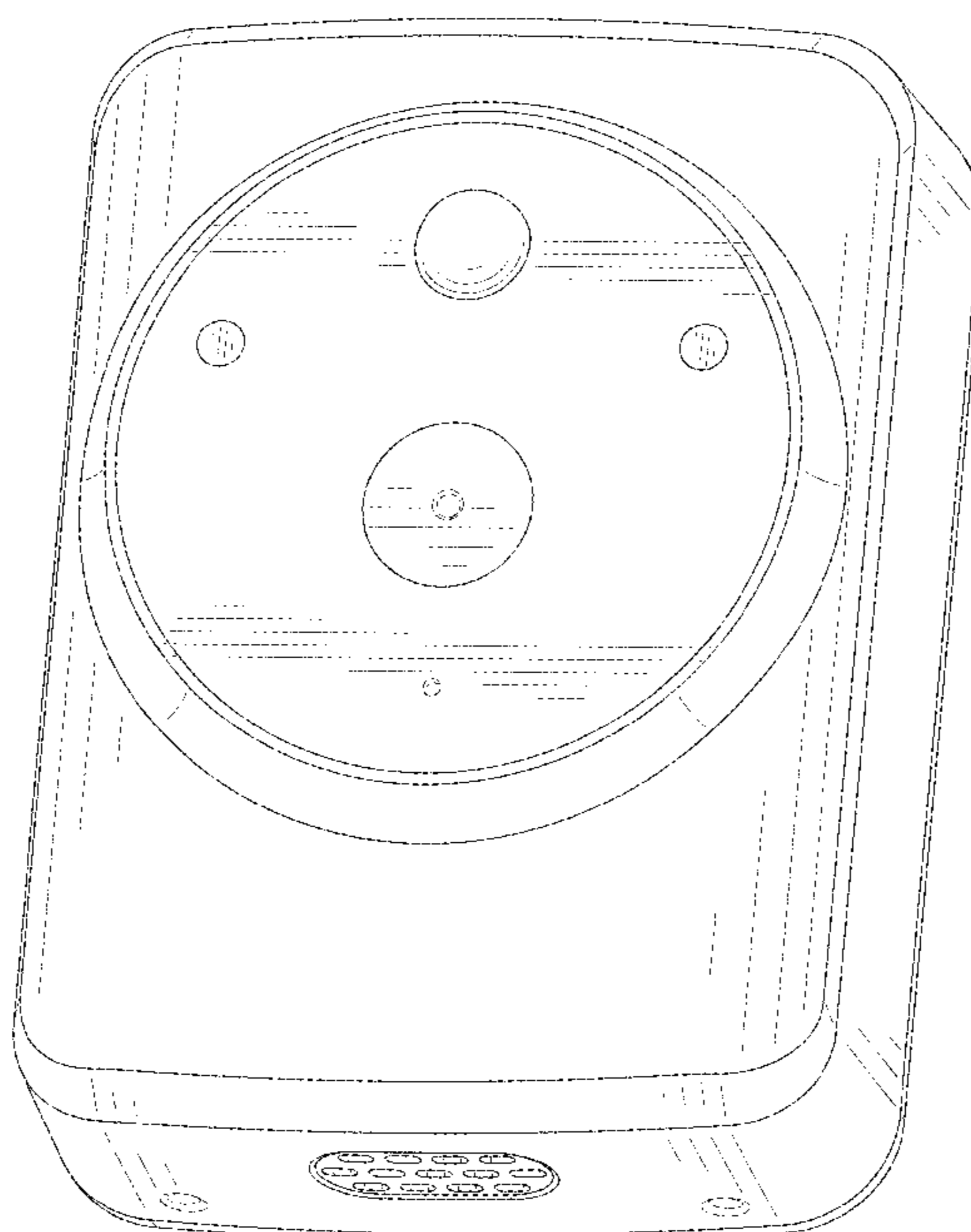
FIG. 1 is a front perspective view of a WiFi video doorbell showing my new design;
FIG. 2 is a rear perspective view thereof;
FIG. 3 is a front elevational view thereof;
FIG. 4 is a rear elevational view thereof;
FIG. 5 is a left elevational view thereof;
FIG. 6 is a right elevational view thereof;
FIG. 7 is a top pan view thereof; and,
FIG. 8 is a bottom pan view thereof.

U.S. PATENT DOCUMENTS

| | | | | |
|--------------|--------|---------|-------|-----------|
| D729,678 S * | 5/2015 | Scalisi | | D10/118.2 |
| D747,385 S * | 1/2016 | Scalisi | | D10/118.2 |
| D751,446 S * | 3/2016 | Lin | | D10/118.2 |
| D766,121 S * | 9/2016 | Scalisi | | D10/118.2 |

In the drawings, the broken lines depict portions of the WiFi video doorbell that form no part of the claimed design.

1 Claim, 8 Drawing Sheets



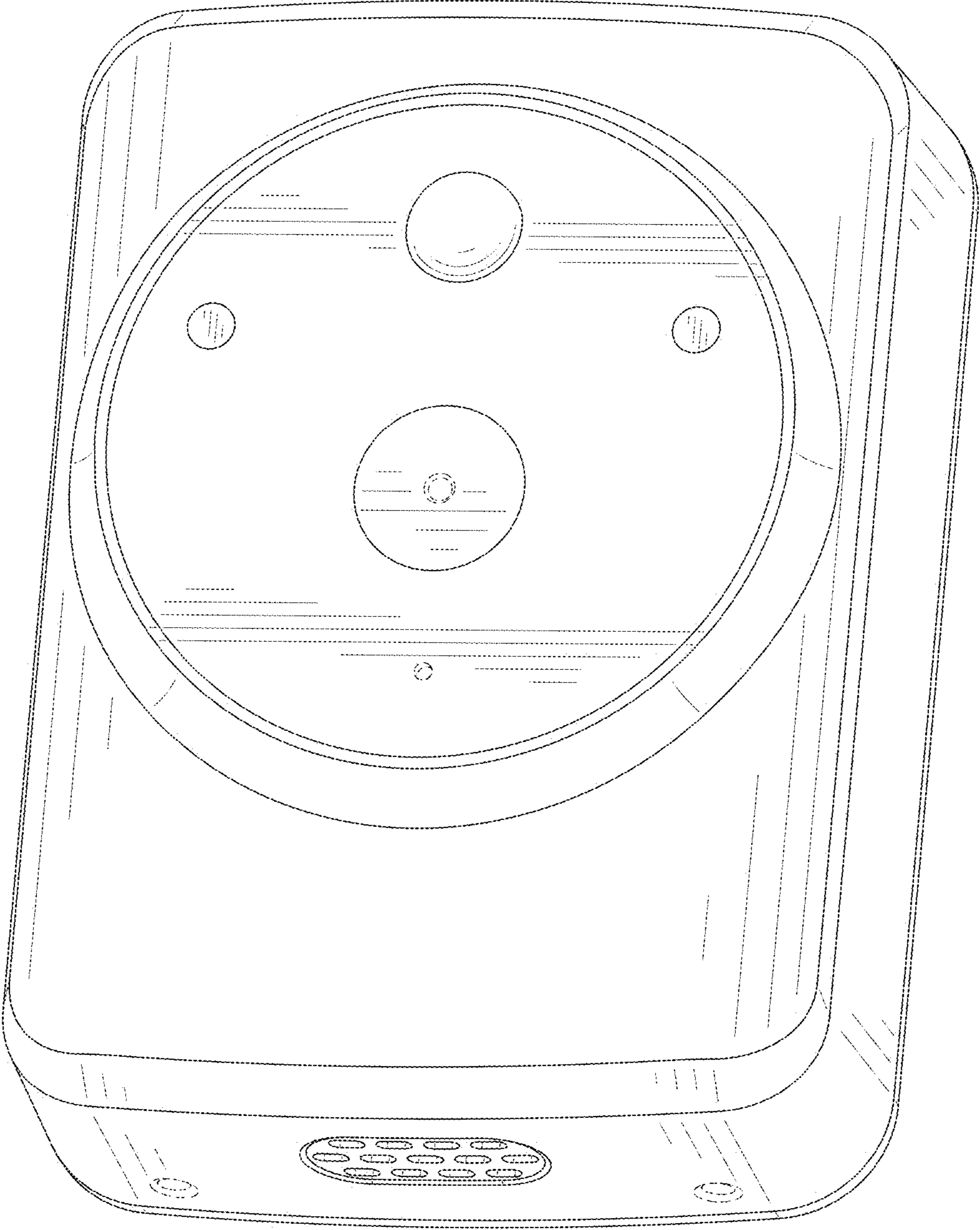


FIG. 1

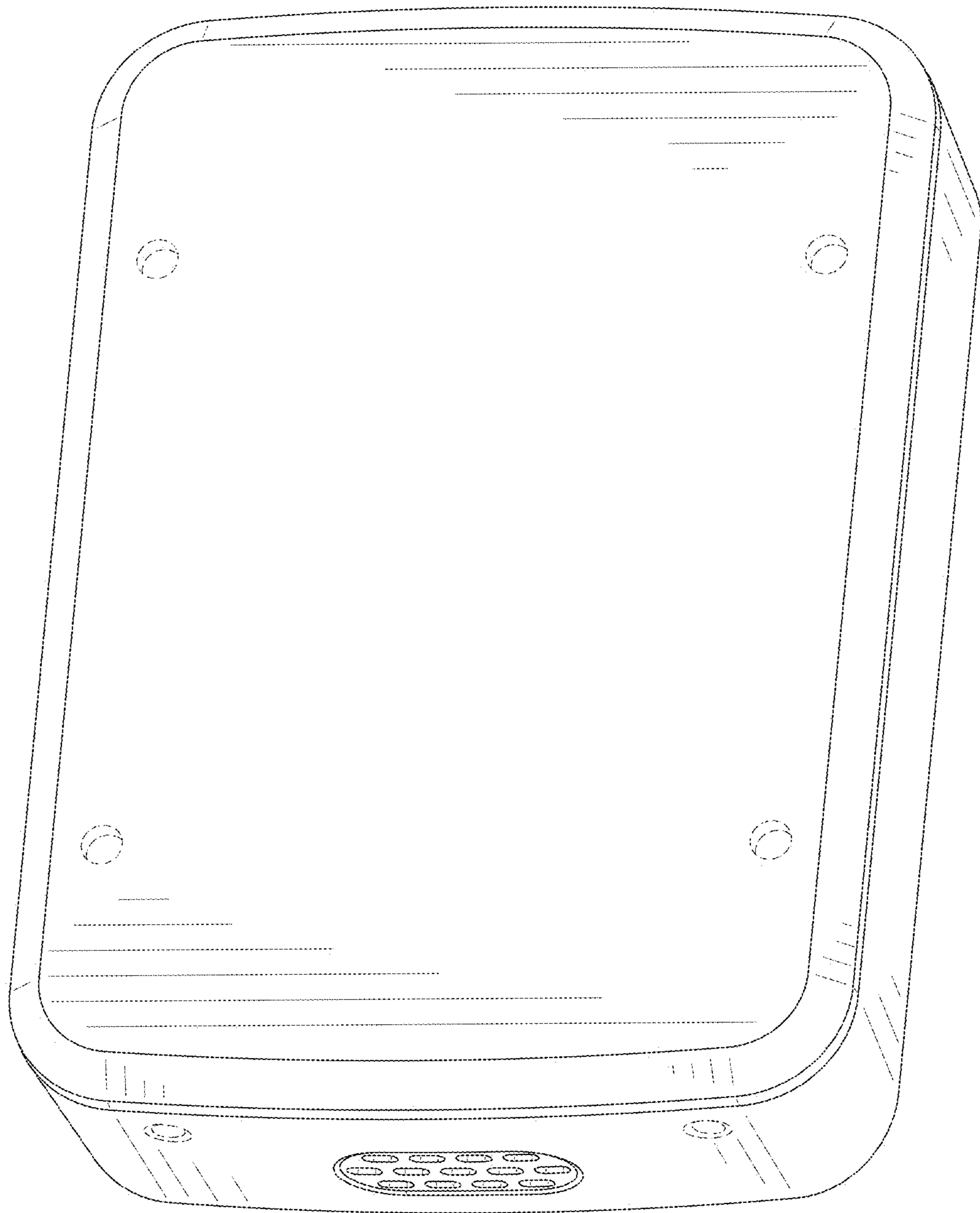


FIG. 2

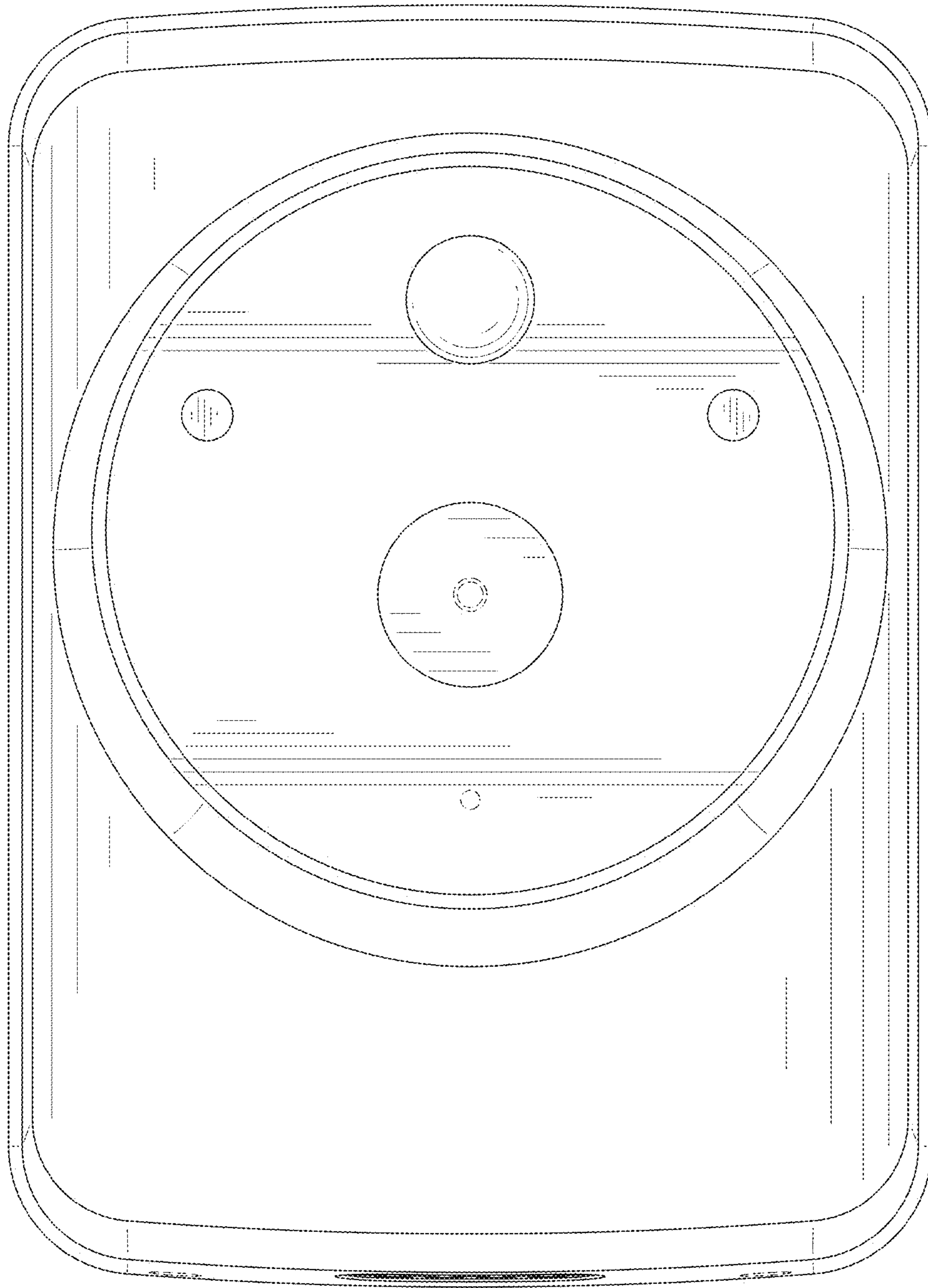


FIG. 3

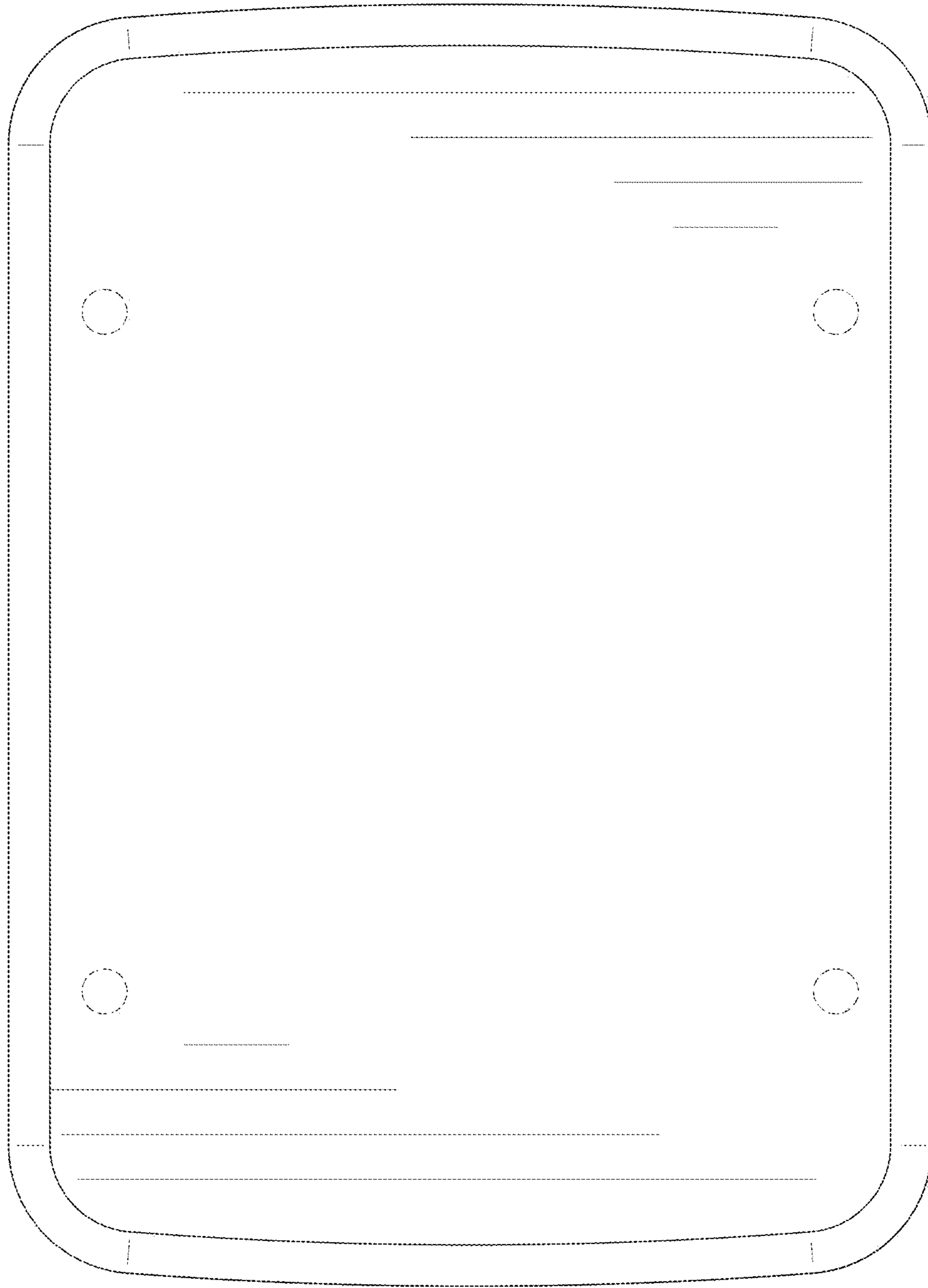


FIG. 4

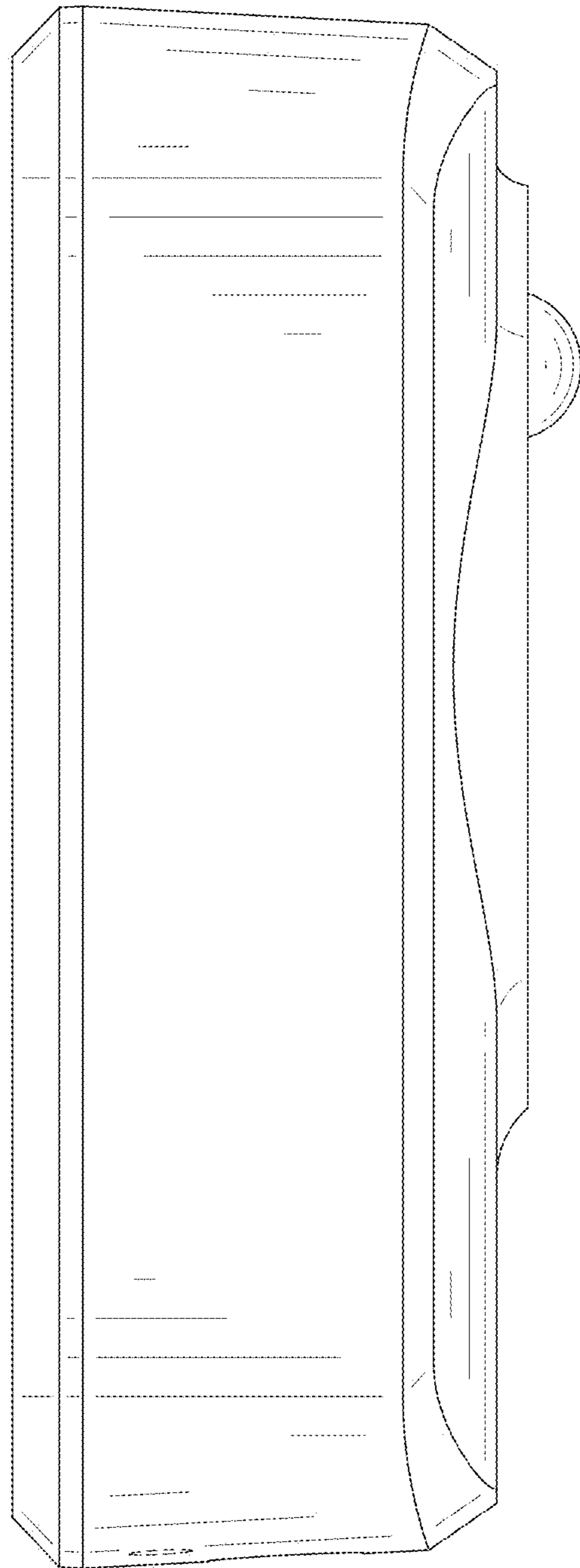


FIG. 5

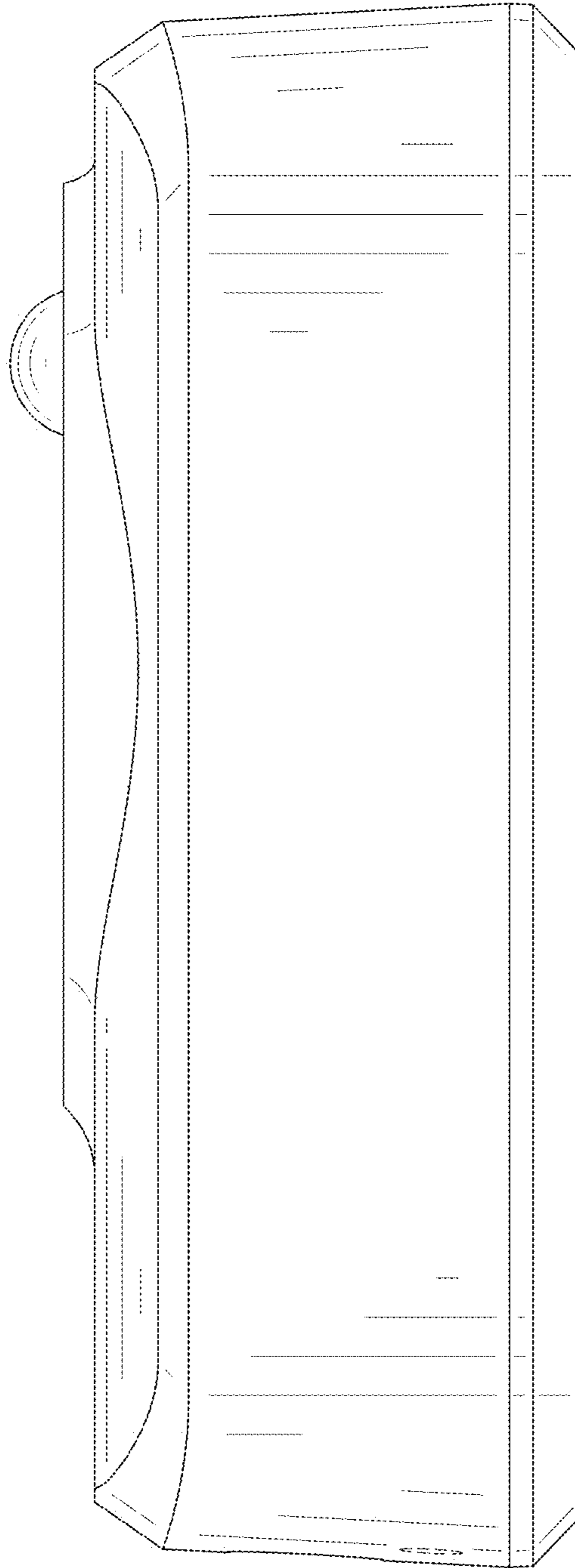


FIG. 6

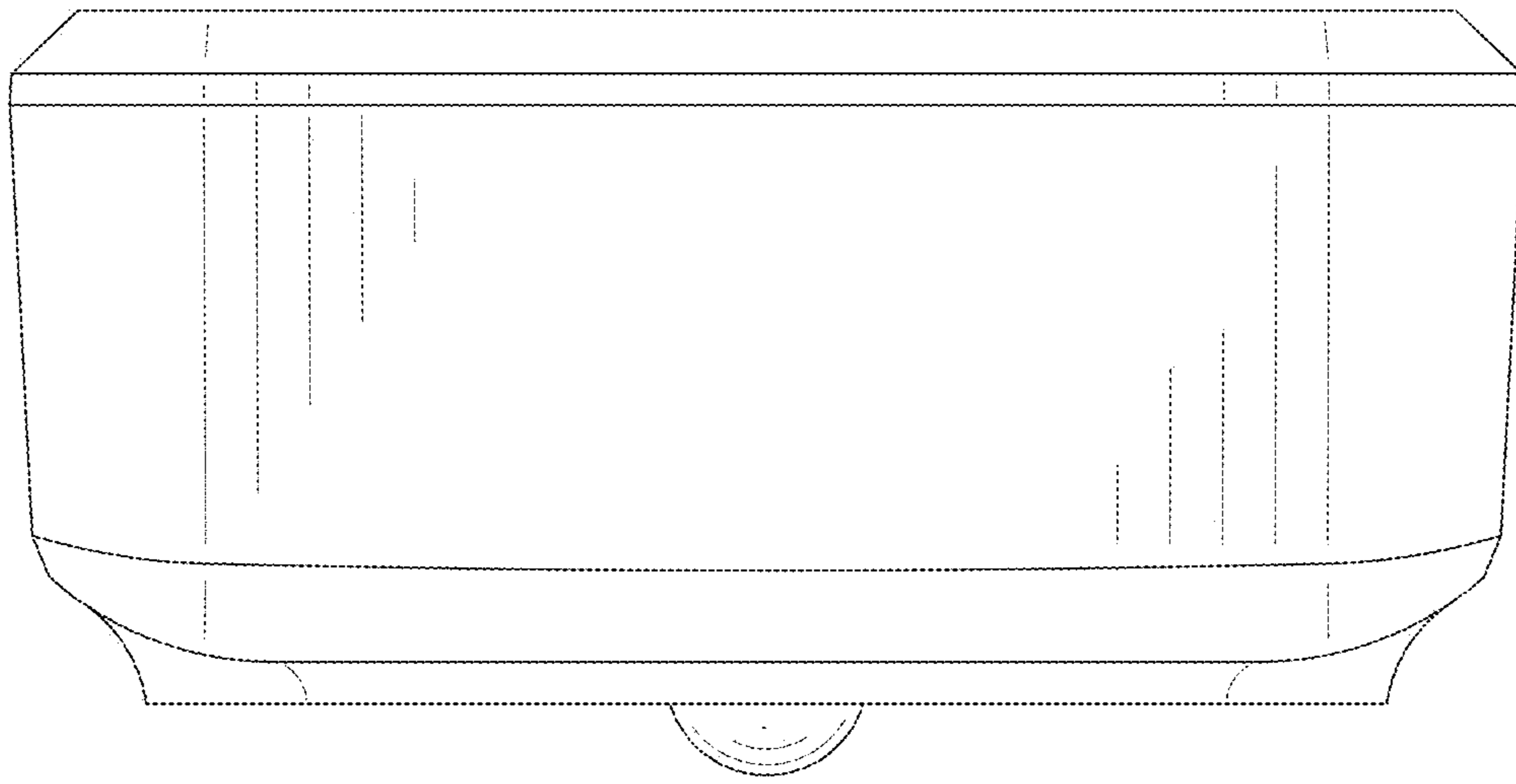


FIG. 7

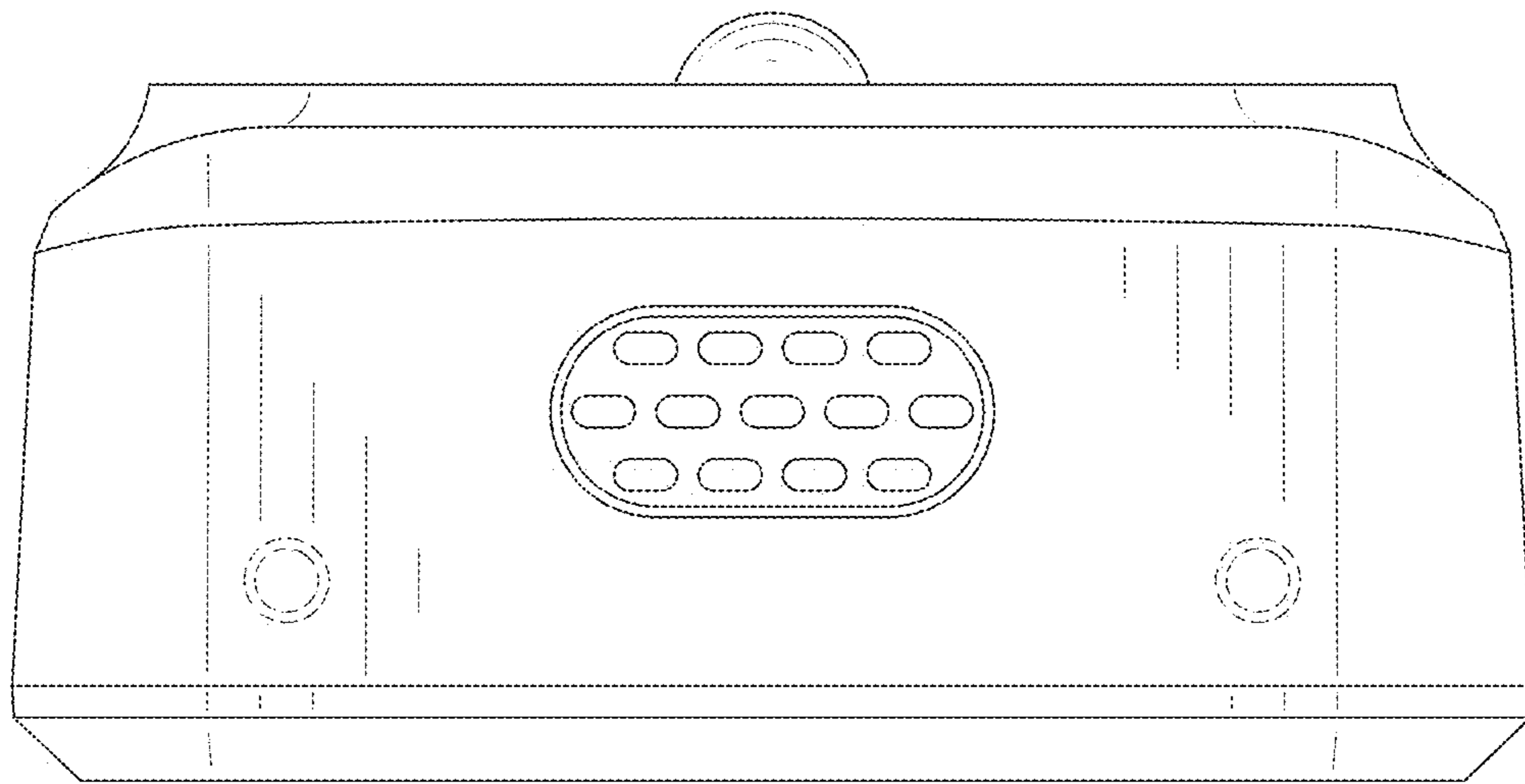


FIG. 8