



US00D895465S

(12) **United States Design Patent** (10) **Patent No.:** **US D895,465 S**
Loew et al. (45) **Date of Patent:** **** Sep. 8, 2020**

(54) **REMOTE ACTIVATION DEVICE FOR SECURITY SYSTEM**

(71) Applicant: **Amazon Technologies, Inc.**, Seattle, WA (US)
(72) Inventors: **Christopher Loew**, Palo Alto, CA (US); **Mark Siminoff**, Mountain View, CA (US); **Timothy Wellener**, Phoenixville, PA (US); **Vinay Sao**, Malvern, PA (US); **Andrew Louis Russell**, Havertown, PA (US)

(73) Assignee: **Amazon Technologies, Inc.**, Seattle, WA (US)

(**) Term: **15 Years**

(21) Appl. No.: **29/675,488**

(22) Filed: **Jan. 2, 2019**

(51) **LOC (12) Cl.** **10-05**

(52) **U.S. Cl.**
USPC **D10/106.6**

(58) **Field of Classification Search**
USPC D10/106.6, 106.1, 70, 116.1
(Continued)

(56) **References Cited**

U.S. PATENT DOCUMENTS

D243,615 S 3/1977 Kaye
D680,063 S 4/2013 Sasada
(Continued)

FOREIGN PATENT DOCUMENTS

CN 304279386 S 9/2017
CN 304897992 S 11/2018
(Continued)

OTHER PUBLICATIONS

Chinese Office Action dated Mar. 19, 2020, for Chinese Patent Application No. 201930332256.6, a counterpart foreign application of the U.S. Appl. No. 29/675,488, 2 page.
(Continued)

Primary Examiner — George D. Kirschbaum
(74) *Attorney, Agent, or Firm* — Lee & Hayes, P.C.

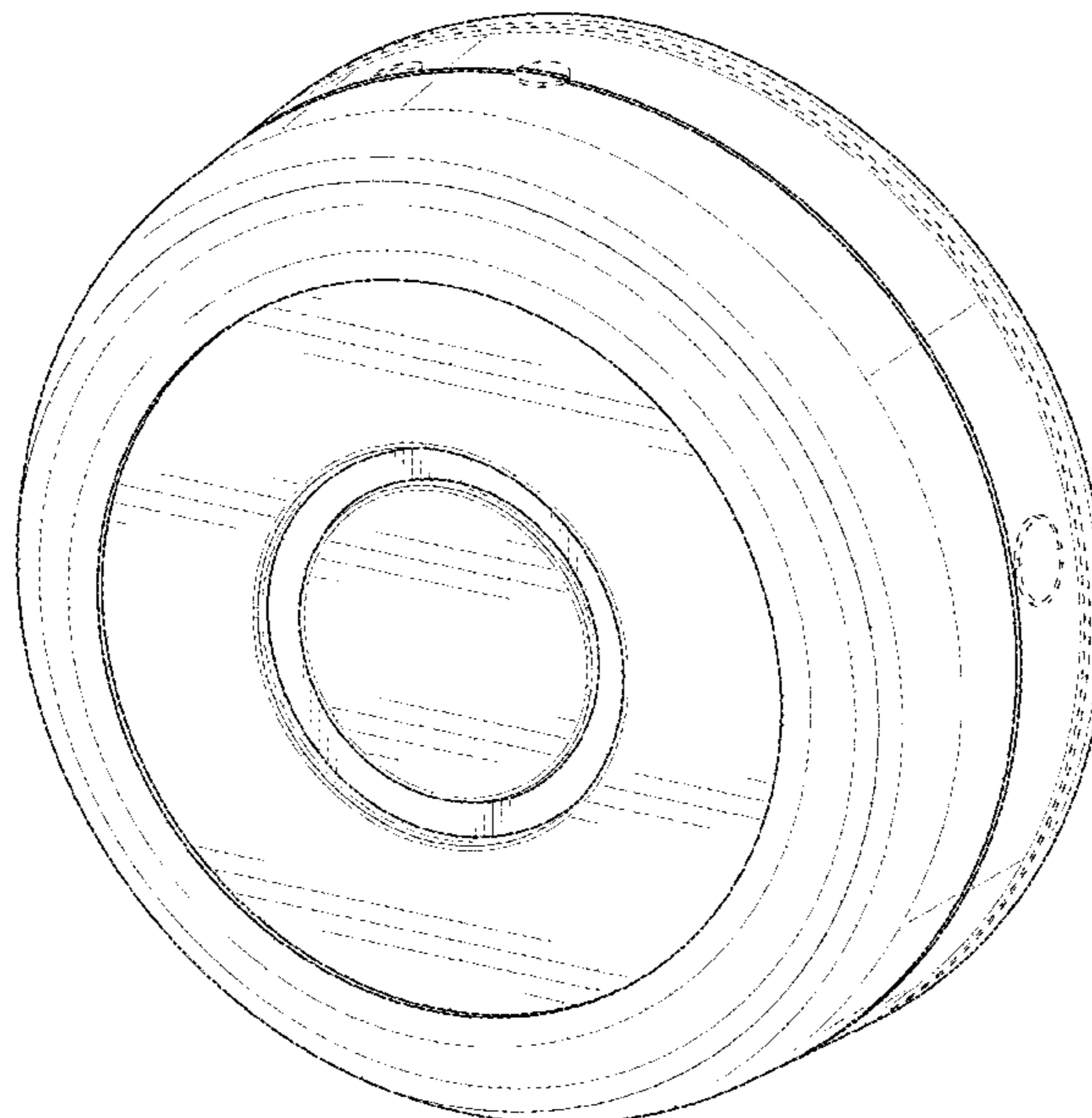
(57) **CLAIM**

The ornamental design for a remote activation device for security system, as shown and described.

DESCRIPTION

FIG. 1 is a front, top perspective view of a remote activation device for security system;
FIG. 2 is a back top perspective view thereof;
FIG. 3 is a front elevation view thereof;
FIG. 4 is a back elevation view thereof;
FIG. 5 is a right-side elevation view thereof;
FIG. 6 is a left-side elevation view thereof;
FIG. 7 is a top plan view thereof;
FIG. 8 is a bottom plan view thereof;
FIG. 9 is a front, top perspective view of a second embodiment of a remote activation device for security system;
FIG. 10 is a back, top perspective view thereof;
FIG. 11 is a front elevation view thereof;
FIG. 12 is a back elevation view thereof;
FIG. 13 is a right-side elevation view thereof;
FIG. 14 is a left-side elevation view thereof;
FIG. 15 is a top plan view thereof; and,
FIG. 16 is a bottom plan view thereof.
The dashed lines depict portions of the remote activation device for security system that form no part of the claimed design. The dot-dashed lines represent boundaries of the claimed remote activation device for security system and form no part of the claimed design.

1 Claim, 16 Drawing Sheets



(58) **Field of Classification Search**
 CPC H01H 13/023
 See application file for complete search history.

(56) **References Cited**

U.S. PATENT DOCUMENTS

| | | | | | |
|------------------|---|---------|------------------|-------|-------------|
| D692,332 S | * | 10/2013 | Ni | | D10/106.1 |
| D742,312 S | | 11/2015 | Gupta et al. | | |
| D753,525 S | * | 4/2016 | Treadwell | | D10/106.6 |
| D755,068 S | * | 5/2016 | Treadwell | | D10/106.6 |
| D757,585 S | * | 5/2016 | Hojmose | | D10/106.1 |
| D760,647 S | | 7/2016 | Chen | | |
| D764,404 S | | 8/2016 | Lau et al. | | |
| D796,355 S | * | 9/2017 | Cho | | D10/70 |
| D812,556 S | | 3/2018 | Xu | | |
| D816,606 S | | 5/2018 | Georgiades | | |
| D823,239 S | | 7/2018 | Gupta et al. | | |
| D825,456 S | | 8/2018 | Daravong | | |
| D826,748 S | * | 8/2018 | Kim | | D10/70 |
| D830,869 S | | 10/2018 | Siminoff et al. | | |
| D830,870 S | * | 10/2018 | Shepher | | D10/116.1 |
| D838,669 S | | 1/2019 | Miller et al. | | |
| D842,244 S | | 3/2019 | Li | | |
| D844,560 S | | 4/2019 | Miller et al. | | |
| D853,320 S | | 7/2019 | Guo | | |
| D853,322 S | | 7/2019 | Xu | | |
| D858,434 S | | 9/2019 | Park et al. | | |
| D860,129 S | | 9/2019 | Price | | |
| D860,936 S | | 9/2019 | Jia | | |
| D861,592 S | | 10/2019 | Venugopal et al. | | |
| D861,595 S | | 10/2019 | He | | |
| D862,384 S | | 10/2019 | Jen | | |
| D864,861 S | | 10/2019 | Roberts | | |
| D867,280 S | | 11/2019 | Chen | | |
| 2003/0095185 A1 | | 5/2003 | Naifeh | | |
| 2006/0213682 A1 | | 9/2006 | Moon et al. | | |
| 2007/0103548 A1 | | 5/2007 | Carter | | |
| 2018/0174777 A1* | | 6/2018 | Clementson | | H01H 13/023 |
| 2018/0234668 A1 | | 8/2018 | Bauswell | | |
| 2019/0364244 A1 | | 11/2019 | Siminoff et al. | | |

FOREIGN PATENT DOCUMENTS

| | | |
|----|------------------|---------|
| CN | 304933710 S | 12/2018 |
| EM | 005795788-0001 L | 1/2019 |
| EP | 2385703 | 11/2011 |
| JP | 1651500 | 1/2020 |
| JP | 1651502 | 1/2020 |
| TW | 265988 A | 12/1995 |
| TW | D170846 A | 10/2015 |
| TW | D175448 | 5/2016 |
| TW | D175449 | 5/2016 |
| WO | WO2007081894 | 7/2007 |

OTHER PUBLICATIONS

Japanese Office Action dated Mar. 13, 2020 for Japanese Patent Application No. 2019-018653, a counterpart of U.S. Appl. No. 29/681,330, 3 pages.

Japanese Office Action dated Mar. 13, 2020 for Japanese Patent Application No. 2019-018654, a counterpart of U.S. Appl. No. 29/681,330, 3 pages.

Japanese Office Action dated Mar. 13, 2020 for Japanese Patent Application No. 2019-018655, a counterpart of U.S. Appl. No. 29/681,330, 3 pages.

Taiwanese Office Action dated Dec. 13, 2019 for Taiwanese Patent Application No. 10821187230, a counterpart of U.S. Appl. No. 29/673,311, 3 pages.

Taiwanese Office Action dated Feb. 19, 2020 for Taiwanese Patent Application No. 108303923, a counterpart of U.S. Appl. No. 29/675,488, 3 pages.

Taiwanese Office Action dated Feb. 19, 2020 for Taiwanese Patent Application No. 108303924, a counterpart of U.S. Appl. No. 29/675,488, 3 pages.

Taiwanese Office Action dated Feb. 19, 2020 for Taiwanese Patent Application No. 108303925, a counterpart of U.S. Appl. No. 29/675,488, 3 pages.

Taiwanese Office Action dated Feb. 19, 2020 for Taiwanese Patent Application No. 108303926, a counterpart of U.S. Appl. No. 29/675,488, 3 pages.

Chinese Office Action dated Jan. 14, 2020, for Chinese Design Application No. 201930465085.4, a counterpart foreign application of the U.S. Appl. No. 29/681,330, 1 pages.

Japanese Office Action dated Jan. 31, 2020 for Japanese Patent Application No. 2019-014703, a counterpart of U.S. Appl. No. 29/675,488, 3 pages.

Japanese Office Action dated Jan. 31, 2020 for Japanese Patent Application No. 2019-014704, a counterpart of U.S. Appl. No. 29/675,488, 3 pages.

Japanese Office Action dated Jan. 31, 2020 for Japanese Patent Application No. 2019-014705, a counterpart of U.S. Appl. No. 29/675,488, 3 pages.

Japanese Office Action dated Jan. 31, 2020 for Japanese Patent Application No. 2019-014706, a counterpart of U.S. Appl. No. 29/675,488, 3 pages.

Office Action for U.S. Appl. No. 16/218,920, dated Feb. 5, 2020, Siminoff, "Audio/Video Device With Viewer", 10 Pages.

Translated Taiwanese Office Action dated Dec. 12, 2019 for Taiwanese Patent Application No. 108302982, a counterpart of U.S. Appl. No. 29/673,311, 2 pages.

Translated Taiwanese Office Action dated Dec. 13, 2019 for Taiwanese Patent Application No. 108302983, a counterpart of U.S. Appl. No. 29/673,311, 2 pages.

Translated Taiwanese Office Action dated Dec. 13, 2019 for Taiwanese Patent Application No. 10821187230, a counterpart of U.S. Appl. No. 29/673,311, 2 pages.

Taiwanese Office Action dated Nov. 15, 2019 for Taiwanese Patent Application No. 108302722, a counterpart of U.S. Appl. No. 29/670,249, 4 pages.

Taiwanese Office Action dated Nov. 15, 2019 for Taiwanese Patent Application No. 108302720, a counterpart of U.S. Appl. No. 29/670,249, 4 pages.

Taiwanese Office Action dated Nov. 15, 2019 for Taiwanese Patent Application No. 108302721, a counterpart of U.S. Appl. No. 29/670,249, 4 pages.

Taiwanese Office Action dated Nov. 15, 2019 for Taiwanese Patent Application No. 108302725, a counterpart of U.S. Appl. No. 29/670,259, 4 pages.

Taiwanese Office Action dated Nov. 15, 2019 for Taiwanese Patent Application No. 108302724, a counterpart of U.S. Appl. No. 29/670,259, 4 pages.

Taiwanese Office Action dated Nov. 15, 2019 for Taiwanese Patent Application No. 108302726, a counterpart of U.S. Appl. No. 29/670,259, 4 pages.

Taiwanese Office Action dated Dec. 12, 2019 for Taiwanese Patent Application No. 108302982, a counterpart of U.S. Appl. No. 29/673,311, 6 pages.

Taiwanese Office Action dated Dec. 13, 2019 for Taiwanese Patent Application No. 108302983, a counterpart of U.S. Appl. No. 29/673,311, 3 pages.

Australian Office Action dated Aug. 5, 2019 for Australian Patent Application No. 201913629, a counterpart of U.S. Appl. No. 29/675,488, 2 pages.

Chinese Office Action dated Oct. 11, 2019, for Chinese Patent Application No. 201930332256.6, a counterpart foreign application of the U.S. Appl. No. 29/675,488, 1 page.

Chinese Office Action dated Sep. 29, 2019, for Chinese Patent Application No. 201930259756.1, a counterpart foreign application of the U.S. Appl. No. 29/673,311, 1 page.

Chinese Office Action dated Sep. 30, 2019 for Chinese Design Application No. 201930233393.4, a counterpart foreign application of the U.S. Appl. No. 29/670,249.

Japanese Office Action dated Aug. 30, 2019, for Japanese Patent Application No. 2019-012138, a counterpart foreign application of the U.S. Appl. No. 29/673,311, 3 pages.

(56)

References Cited

OTHER PUBLICATIONS

Japanese Office Action dated Aug. 30, 2019, for Japanese Patent Application No. 2019-012139, a counterpart foreign application of the U.S. Appl. No. 29/673,311, 3 pages.

Japanese Office Action dated Aug. 30, 2019, for Japanese Patent Application No. 2019-012141, a counterpart foreign application of the U.S. Appl. No. 29/673,311, 3 pages.

Japanese Office Action dated Aug. 30, 2019, for Japanese Patent Application No. 2019-012140, a counterpart foreign application of the U.S. Appl. No. 29/673,311, 3 pages.

Japanese Office Action dated Sep. 6, 2019, for Japanese Patent Application No. 2019-010347, a counterpart foreign application of the U.S. Appl. No. 29/670,259, 3 pages.

Japanese Office Action dated Aug. 30, 2019, for Japanese Patent Application No. 2019-012142, a counterpart foreign application of the U.S. Appl. No. 29/673,311, 3 pages.

Japanese Office Action dated Sep. 6, 2019, for Japanese Patent Application No. 2019-010348, a counterpart foreign application of the U.S. Appl. No. 29/670,259, 3 pages.

Non Final Office Action dated Nov. 4, 2019 for U.S. Appl. No. 16/218,920 "Audio/Video Device With Viewer" Siminoff, 8 pages.

PCT Search Report and Written Opinion dated Aug. 5, 2019, for the PCT Application No. PCT/US2019/027674, 12 pages.

* cited by examiner

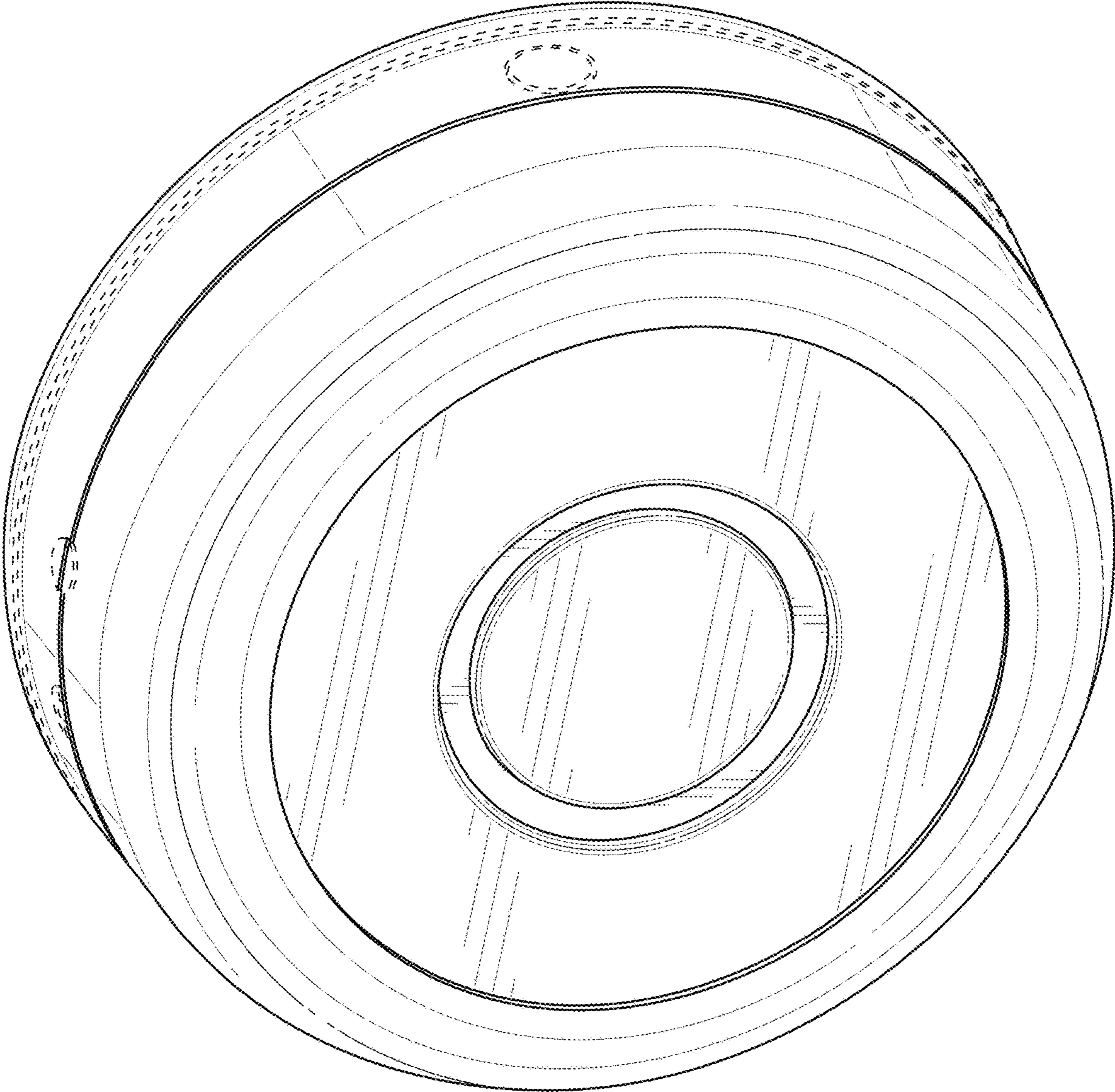


FIG. 1

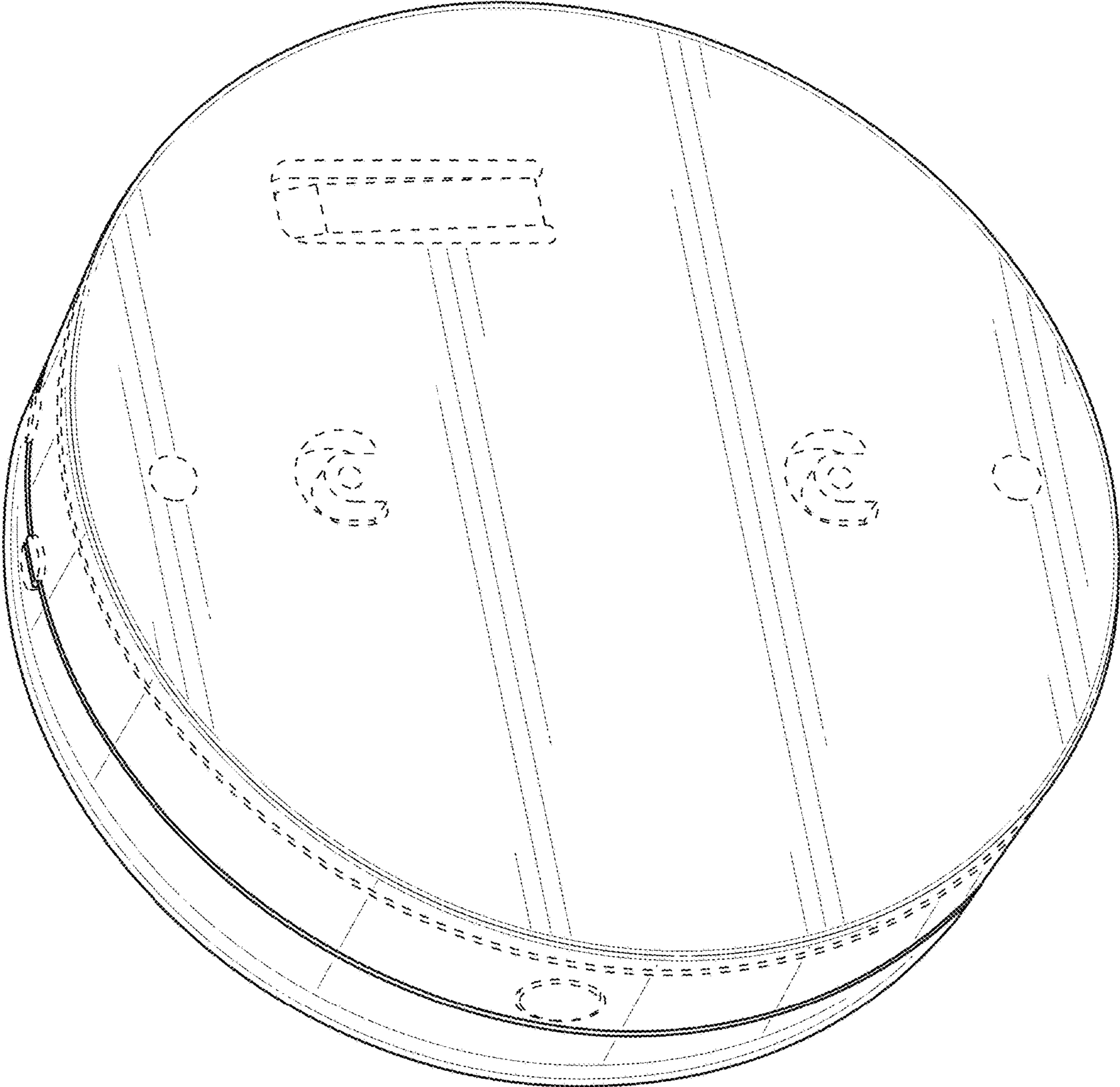


FIG. 2

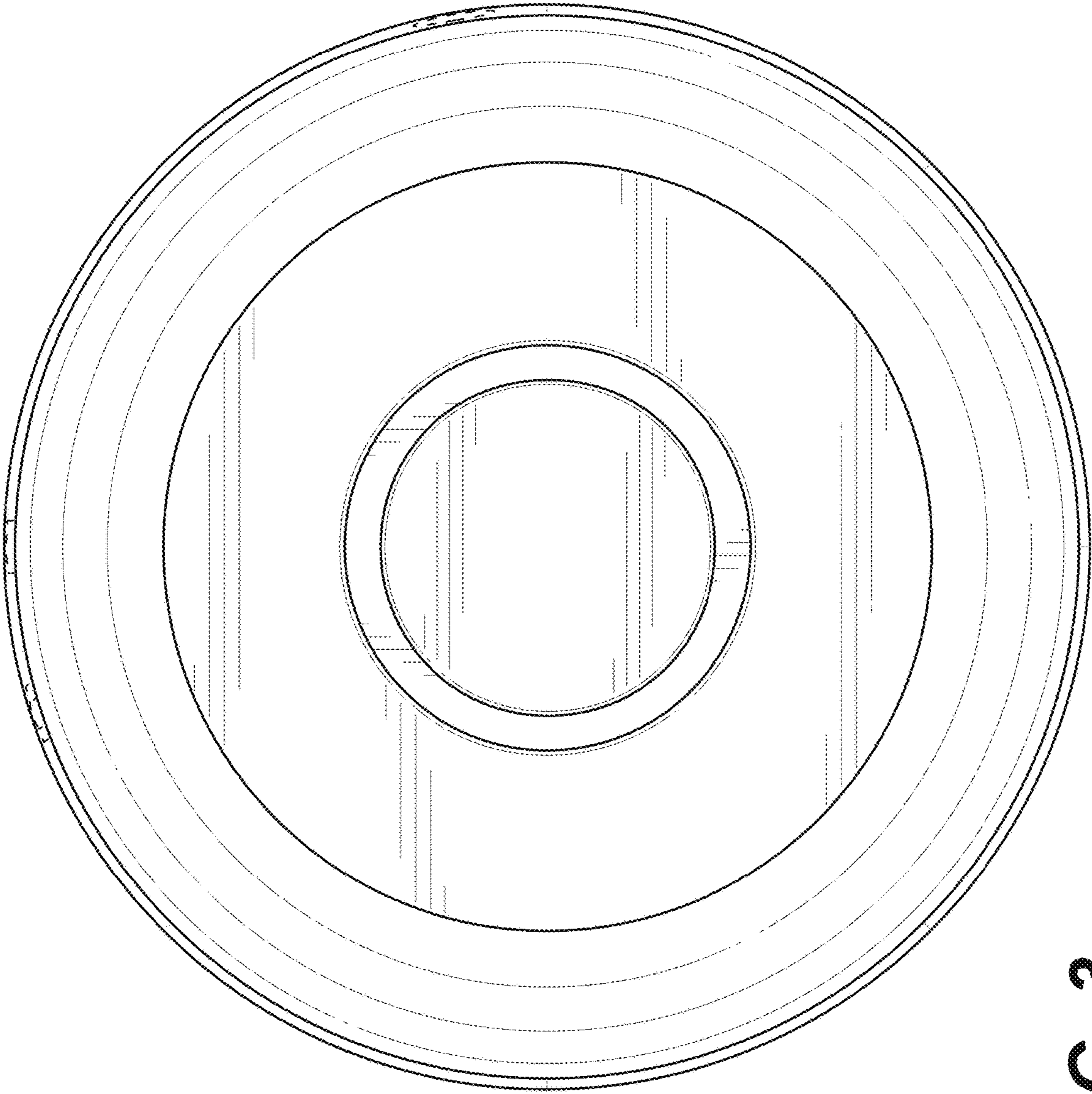


FIG. 3

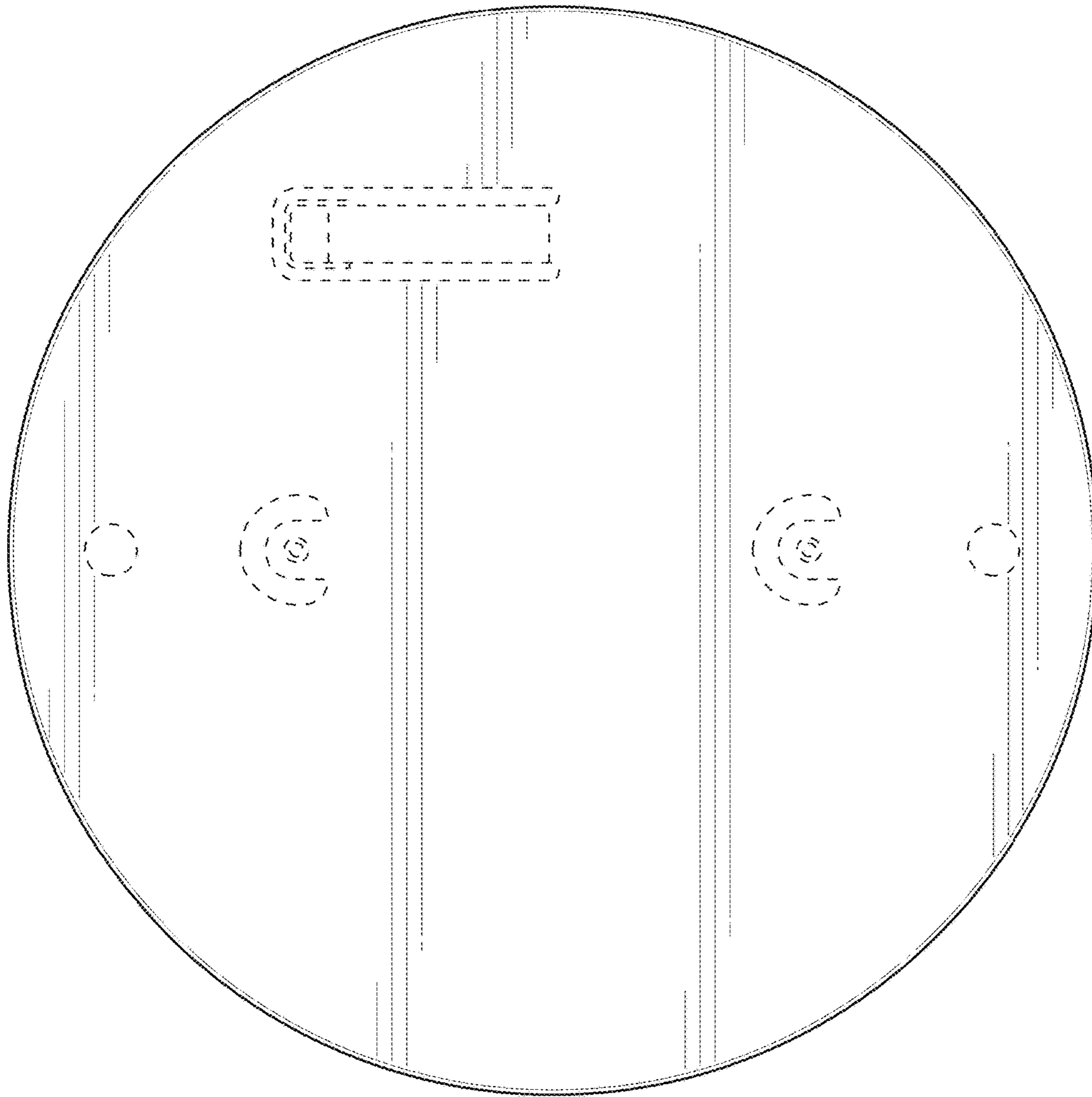


FIG. 4

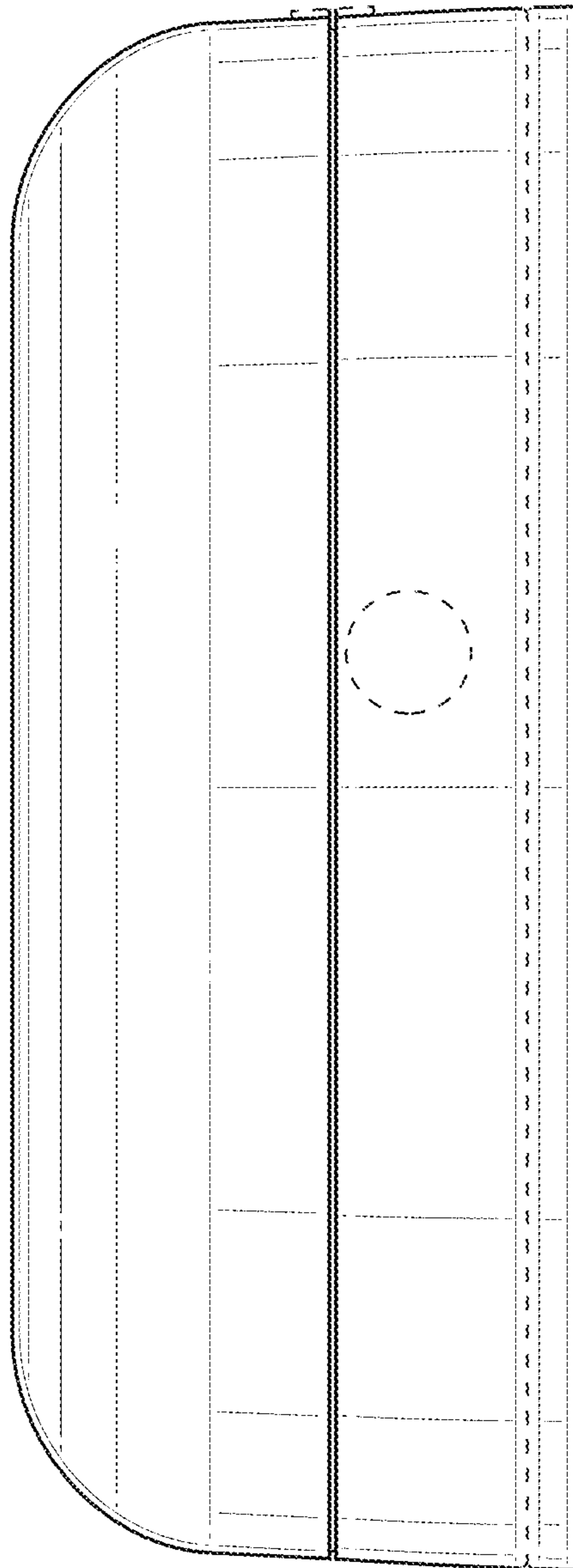


FIG. 5

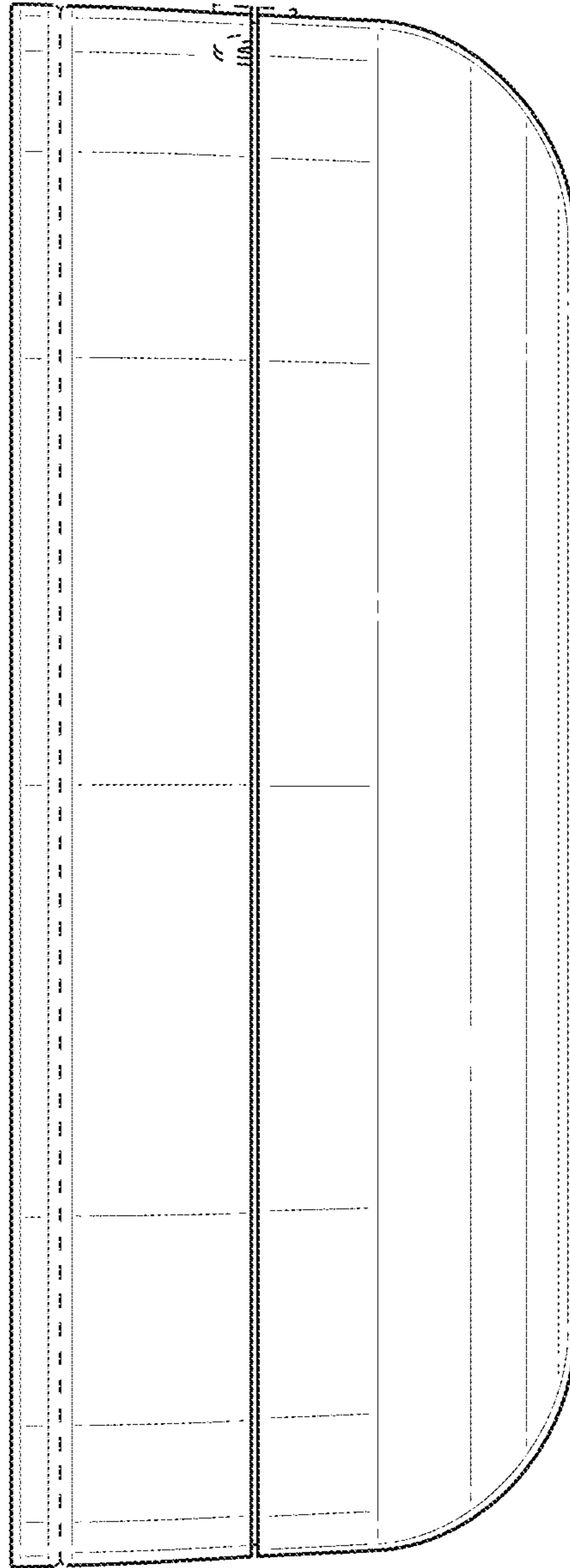


FIG. 6

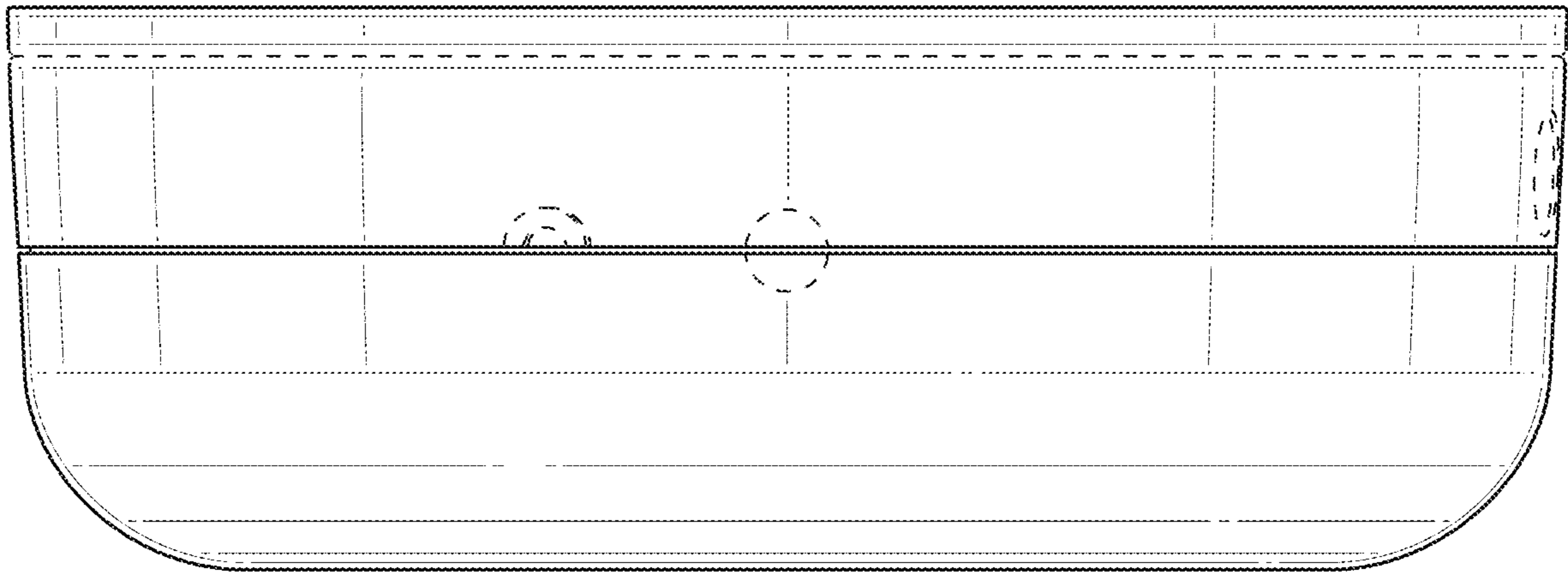


FIG. 7

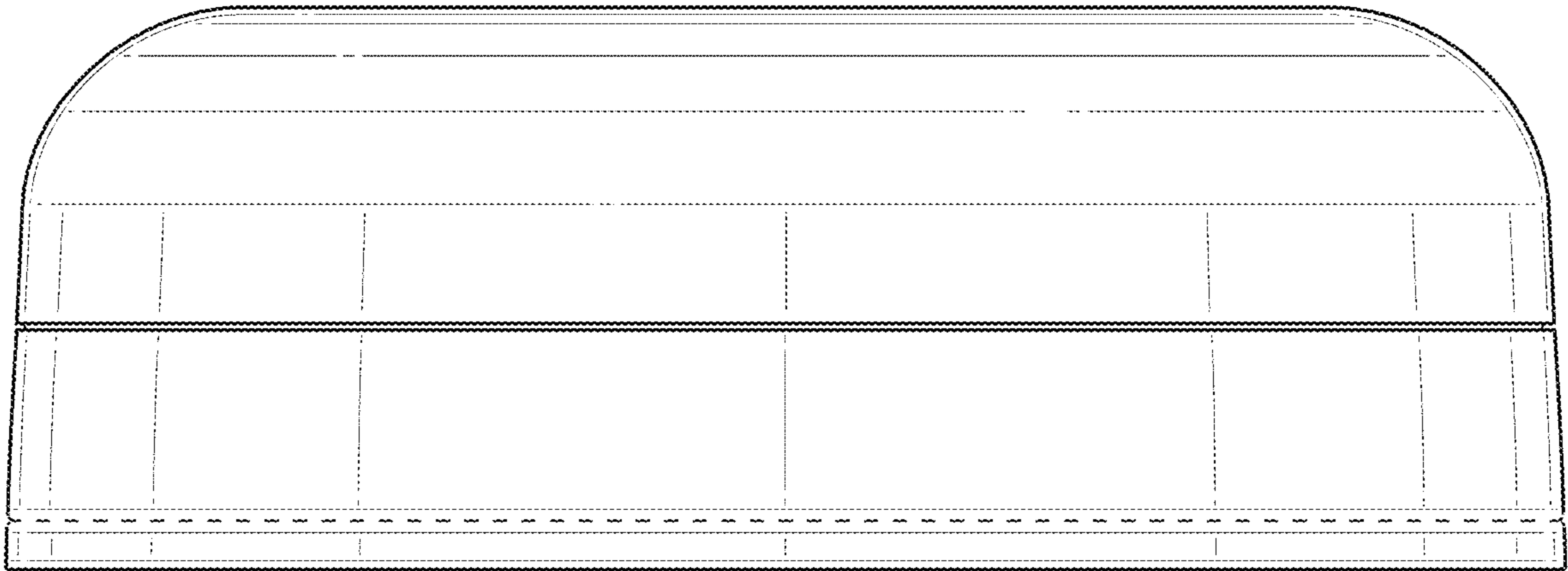


FIG. 8

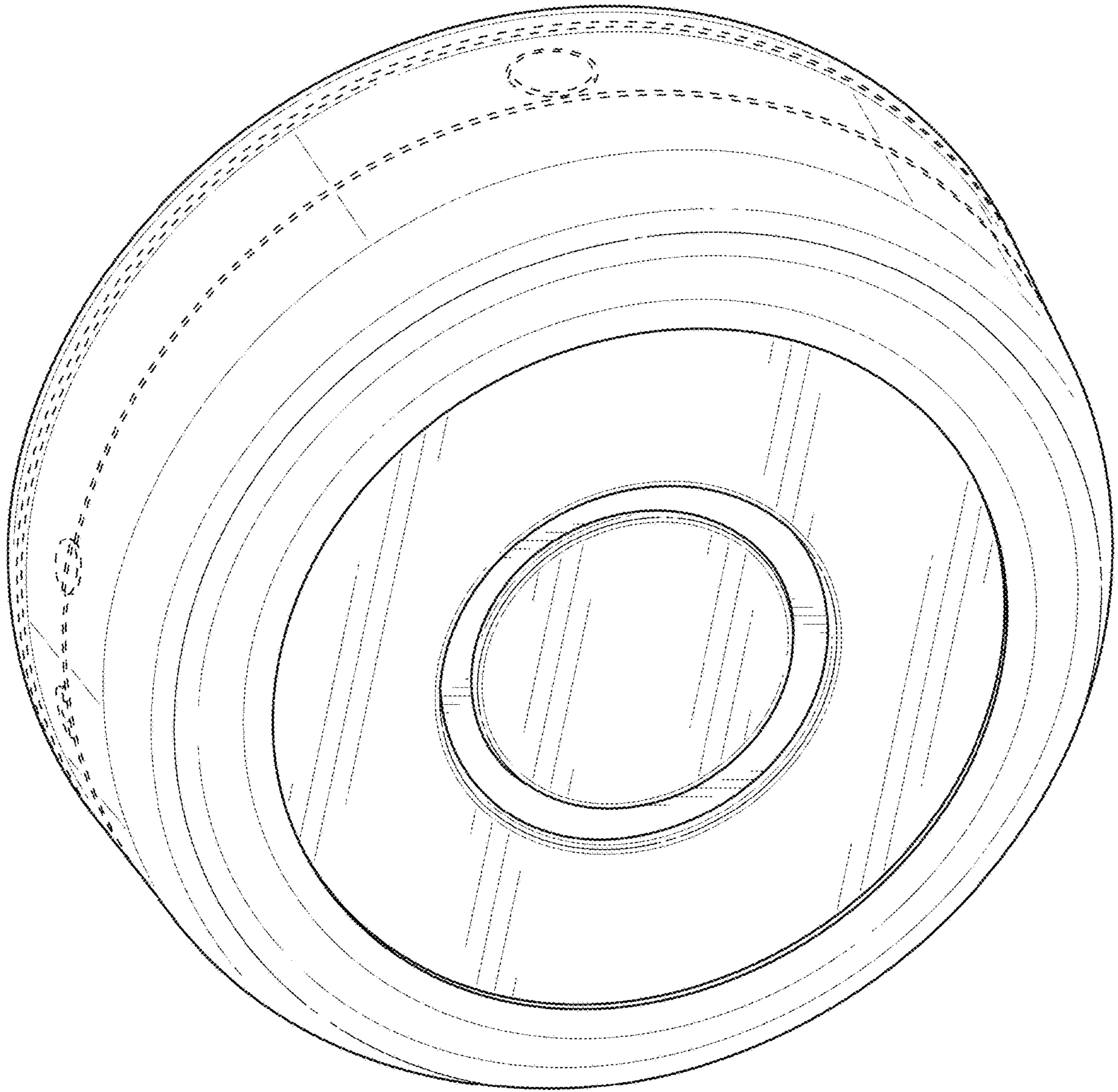


FIG. 9

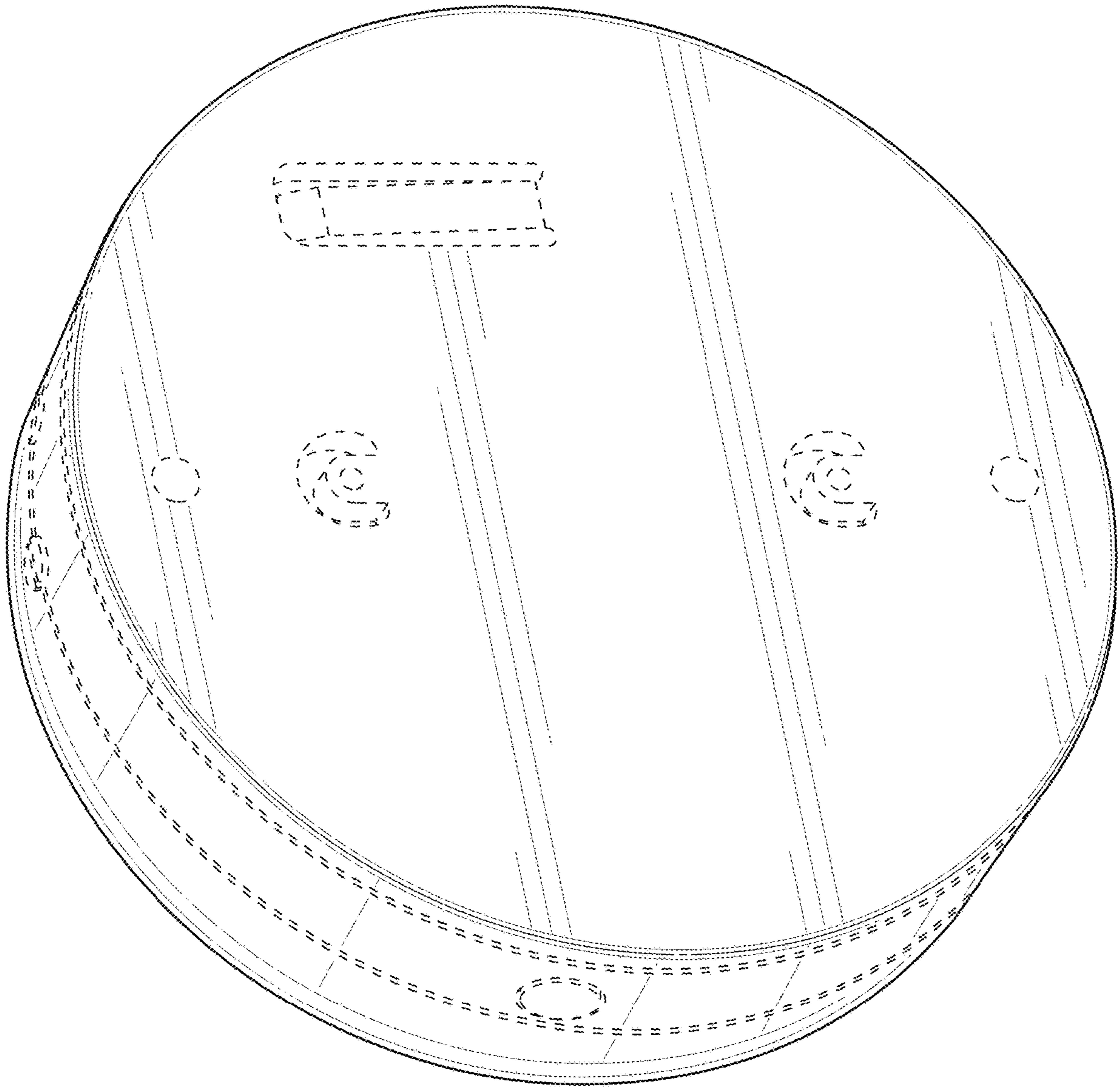


FIG. 10

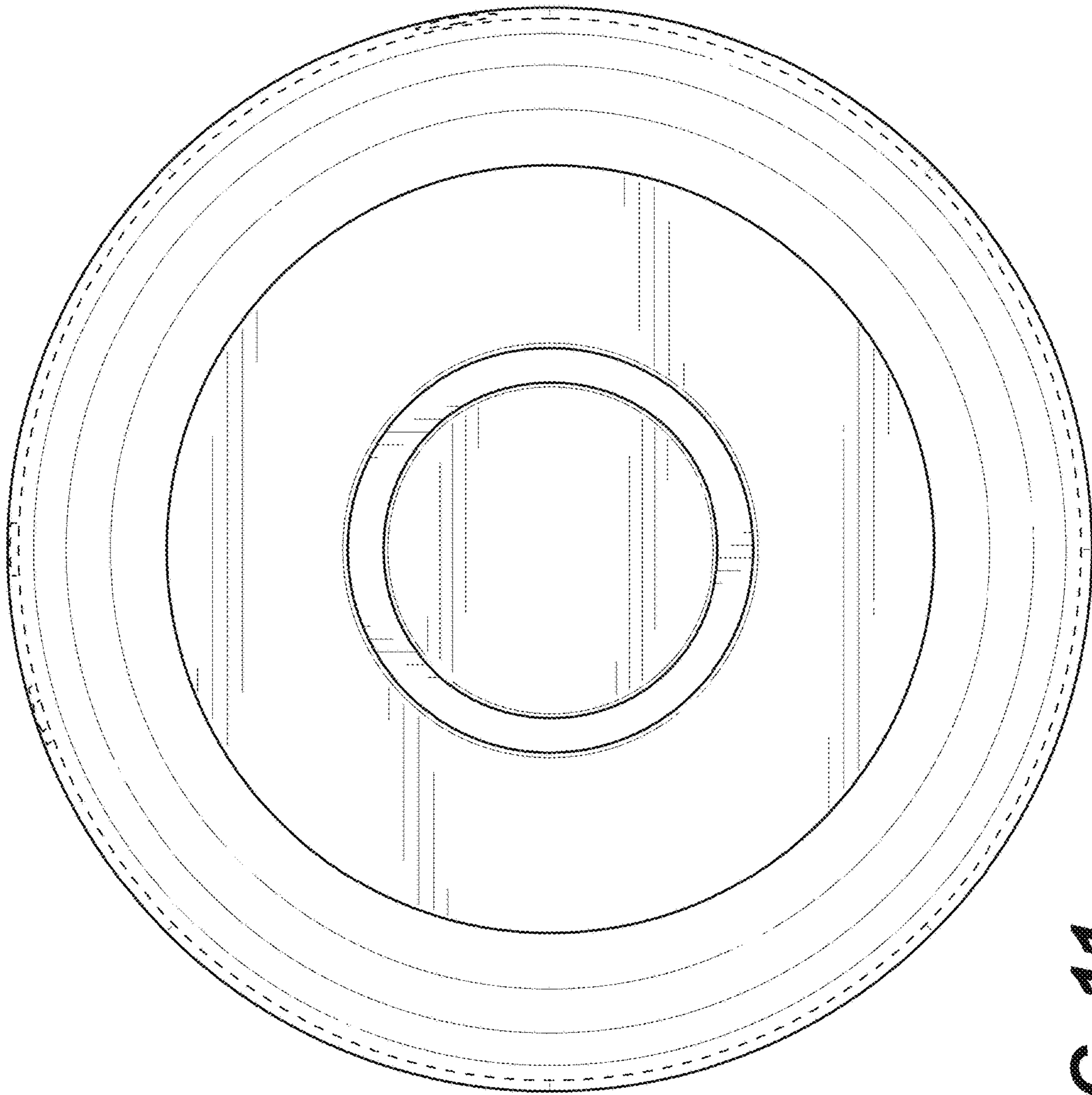


FIG. 11

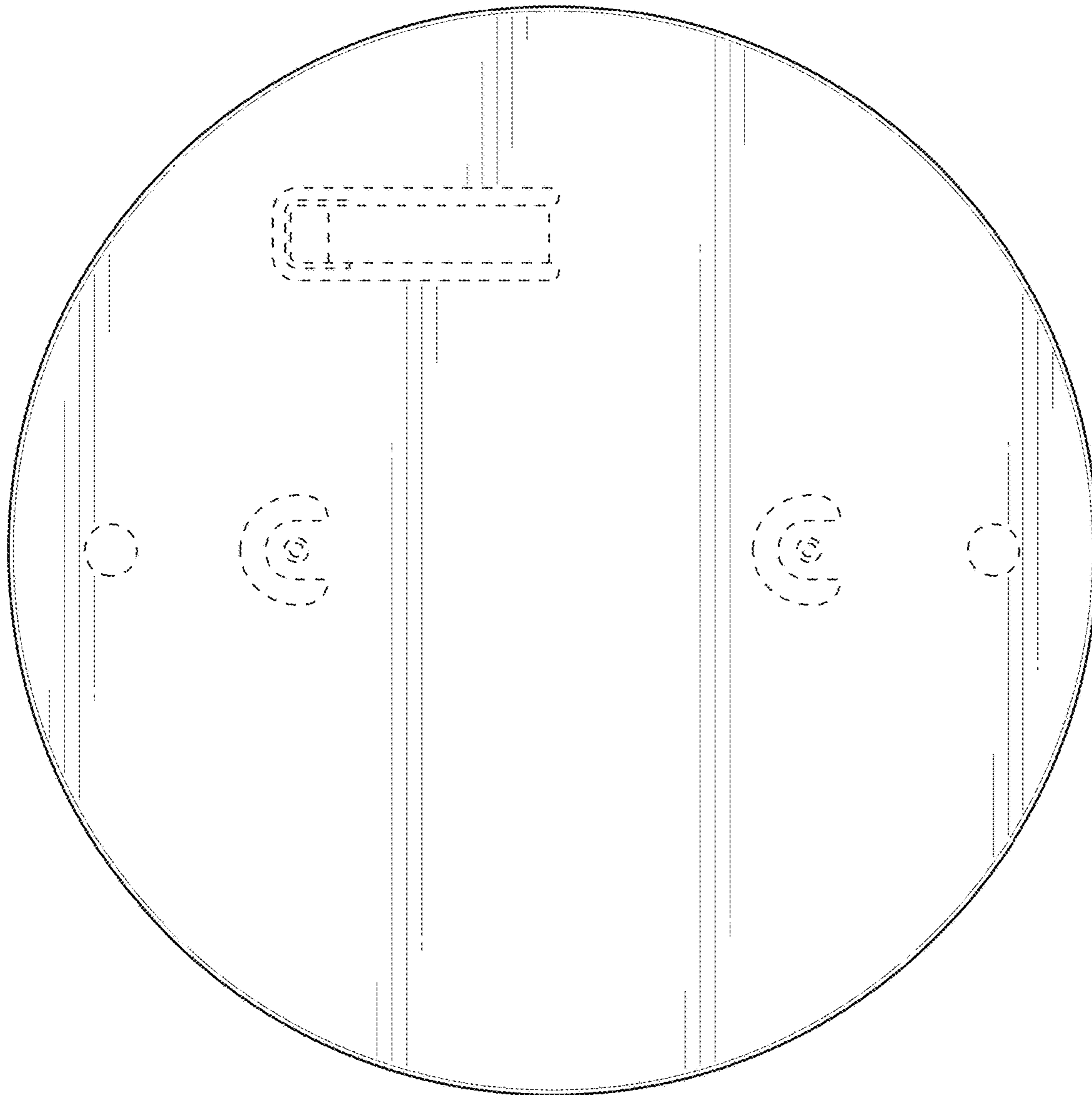


FIG. 12

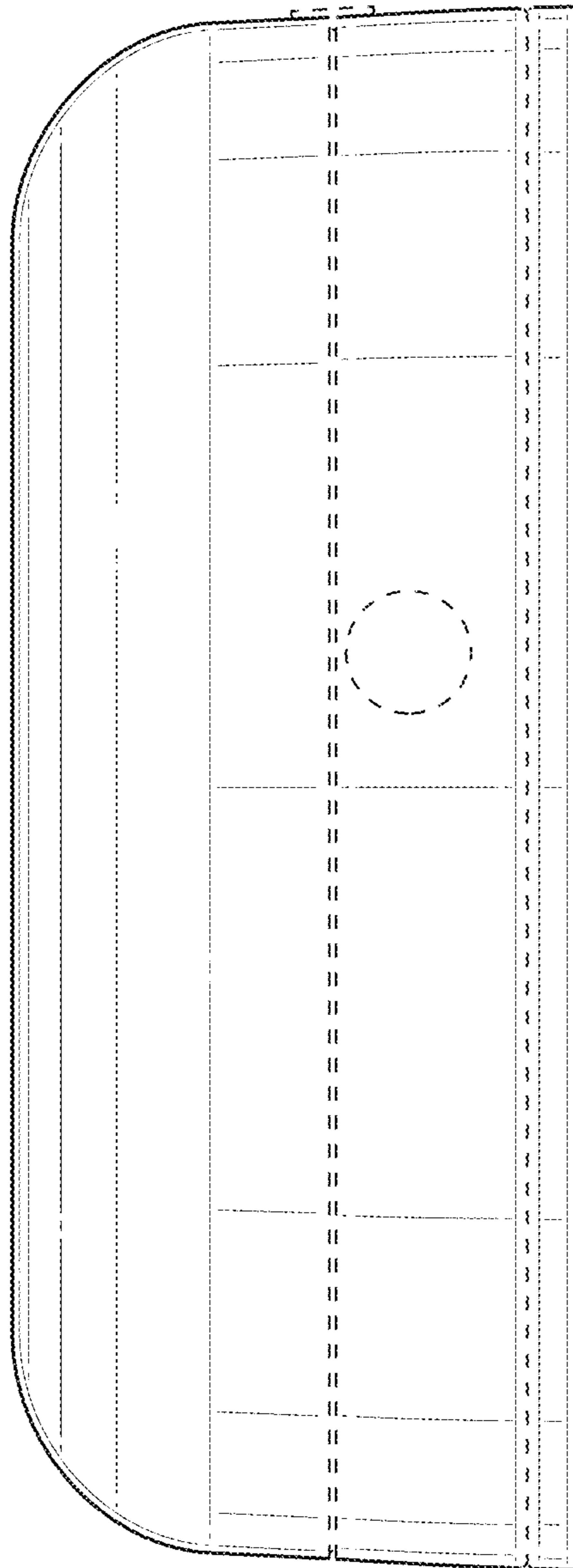


FIG. 13

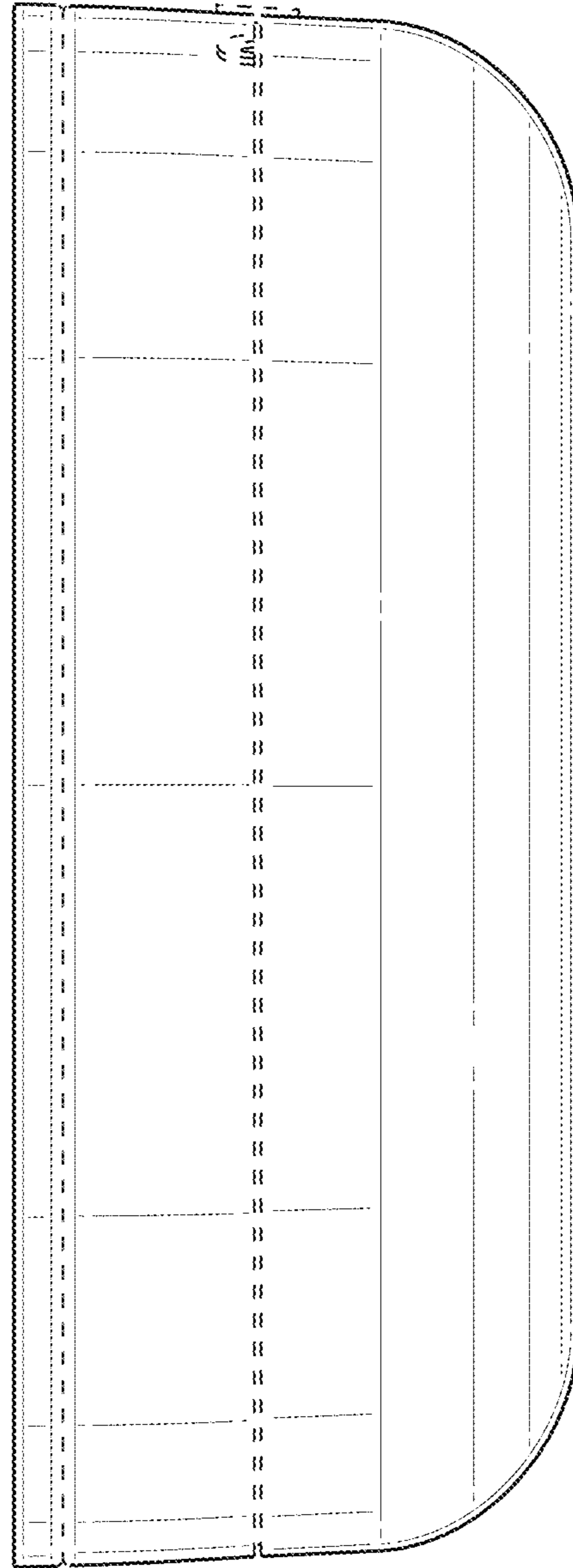


FIG. 14

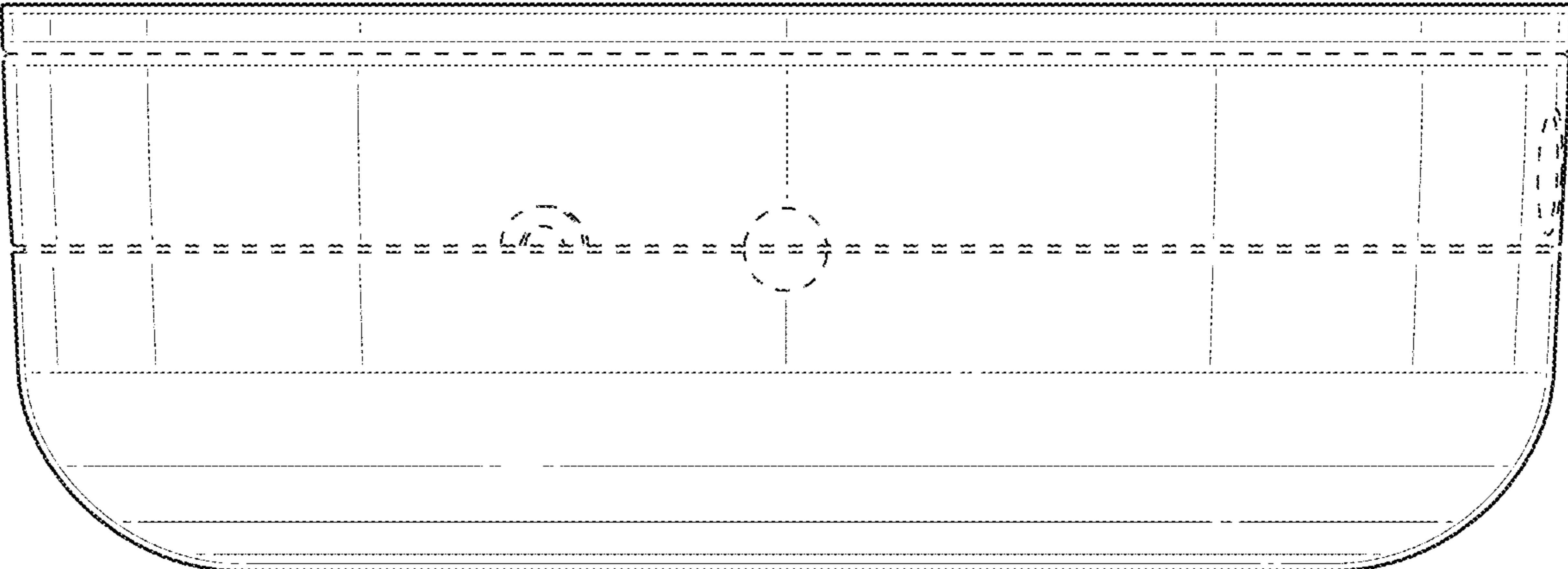


FIG. 15

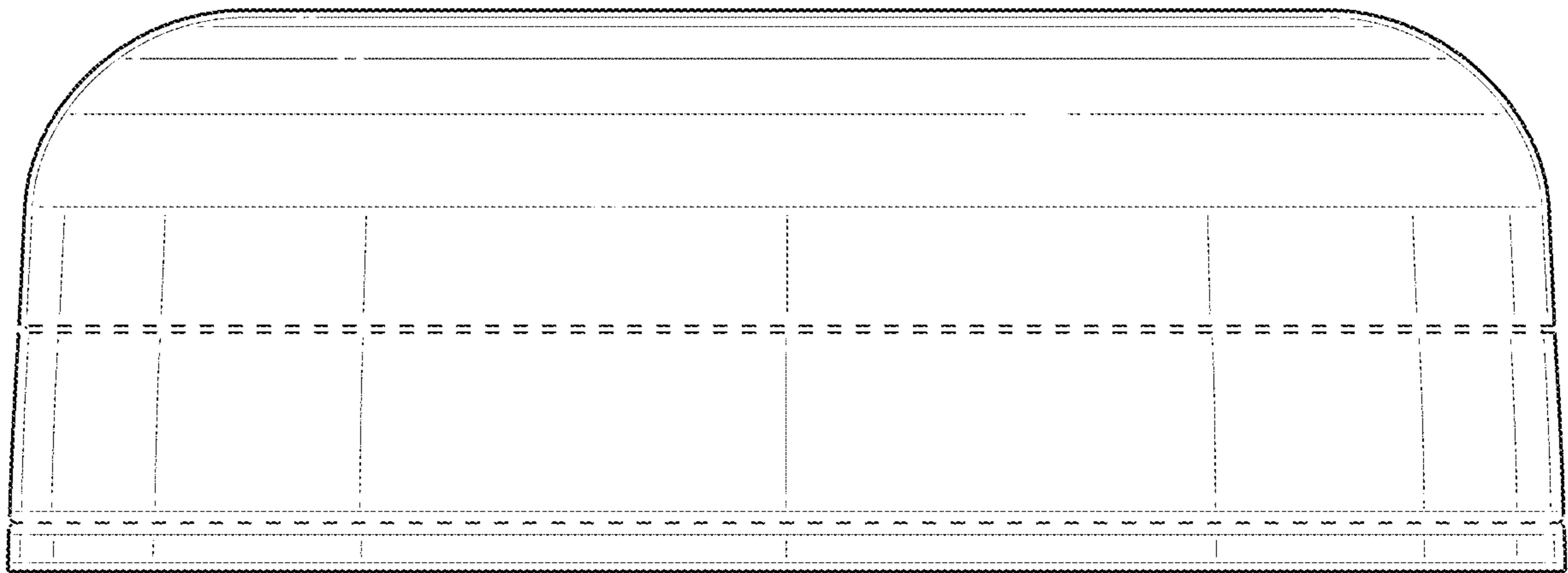


FIG. 16