



US00D895464S

(12) **United States Design Patent** (10) **Patent No.:** **US D895,464 S**
Wang (45) **Date of Patent:** **** Sep. 8, 2020**

(54) **SMART BODY FAT SCALE**

(71) Applicant: **Zhiyong Wang**, Guangdong (CN)

(72) Inventor: **Zhiyong Wang**, Guangdong (CN)

(**) Term: **15 Years**

(21) Appl. No.: **29/688,396**

(22) Filed: **Apr. 22, 2019**

(51) **LOC (12) Cl.** **10-04**

(52) **U.S. Cl.**
USPC **D10/92**

(58) **Field of Classification Search**

USPC D10/91, 92
 CPC G01G 21/28; G01G 21/283; G01G 21/286;
 G01G 21/30; G01G 23/37; G01G
 23/3728; G01G 23/3735; G01G 19/44;
 G01G 19/445; G01G 19/46; G01G 19/48;
 G01G 19/50; G01G 21/44; G01G 19/286;
 G01G 19/30; A61B 5/053; A61B 5/4872;
 A61B 5/0537; A61B 5/4869; A61B
 5/6825; A61B 5/6829; A61B 5/7445

See application file for complete search history.

(56) **References Cited**

U.S. PATENT DOCUMENTS

D798,175 S * 9/2017 Donovick D10/92
 D860,841 S * 9/2019 Wang D10/92

* cited by examiner

Primary Examiner — Antoine Duval Davis

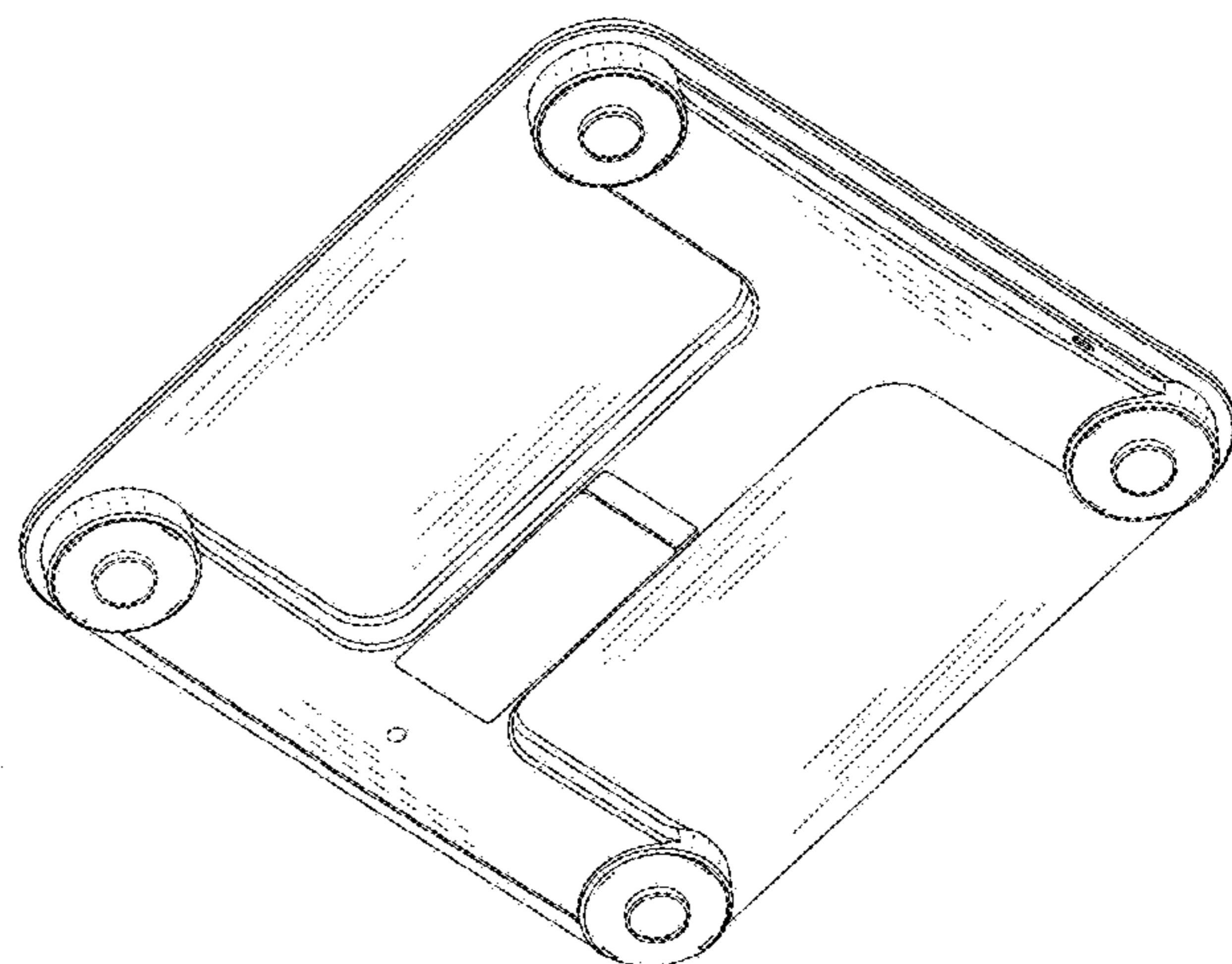
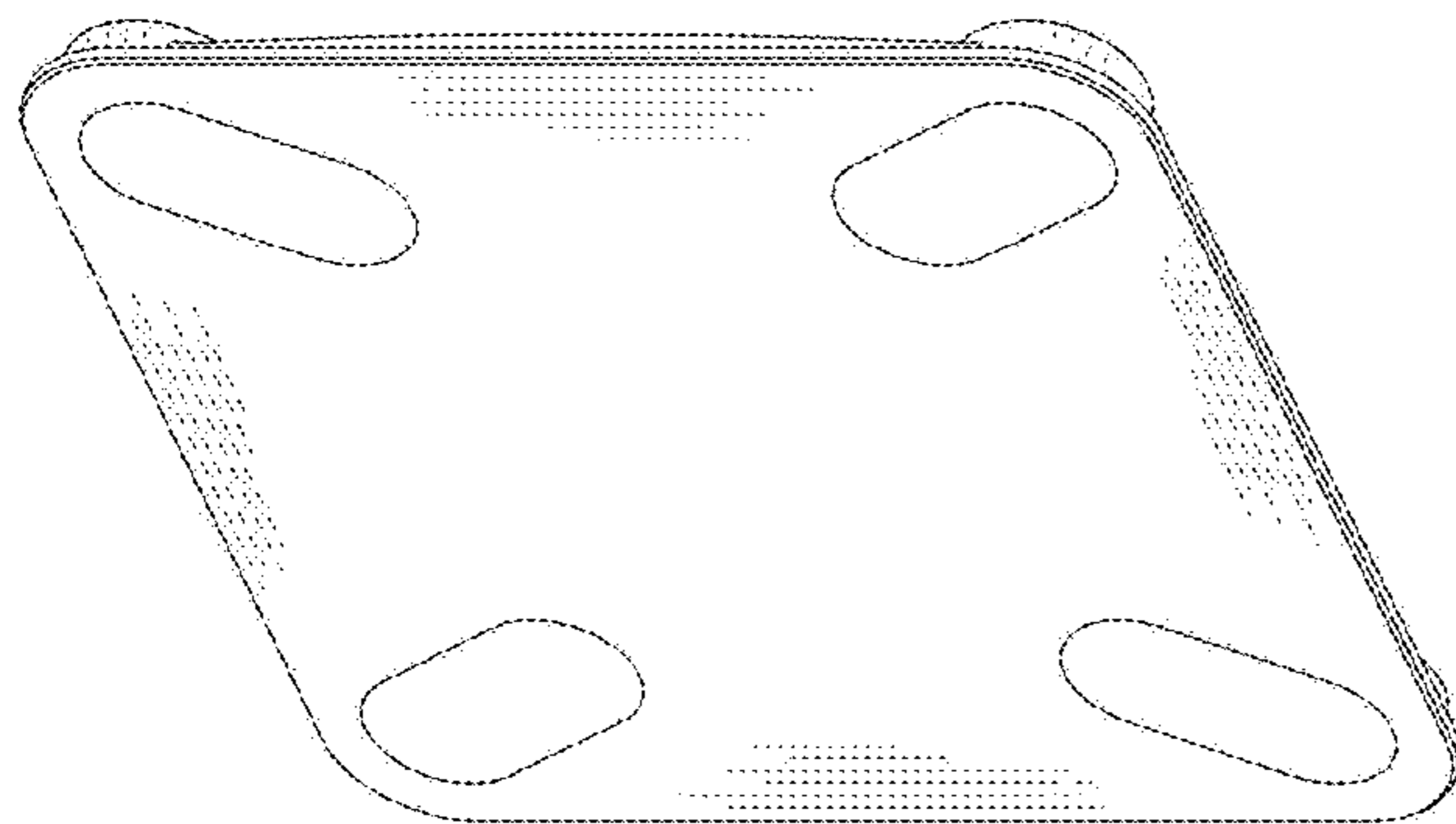
(57) **CLAIM**

The ornamental design for a smart body fat scale, as shown and described.

DESCRIPTION

FIG. 1 is a front perspective view of a smart body fat scale showing my new design;
 FIG. 2 is a rear and top perspective view thereof;
 FIG. 3 is a front elevation view thereof;
 FIG. 4 is a rear elevation view thereof;
 FIG. 5 is a left side elevation view thereof;
 FIG. 6 is a right side elevation view thereof;
 FIG. 7 is a top plan view thereof; and,
 FIG. 8 is a bottom plan view thereof.

1 Claim, 8 Drawing Sheets



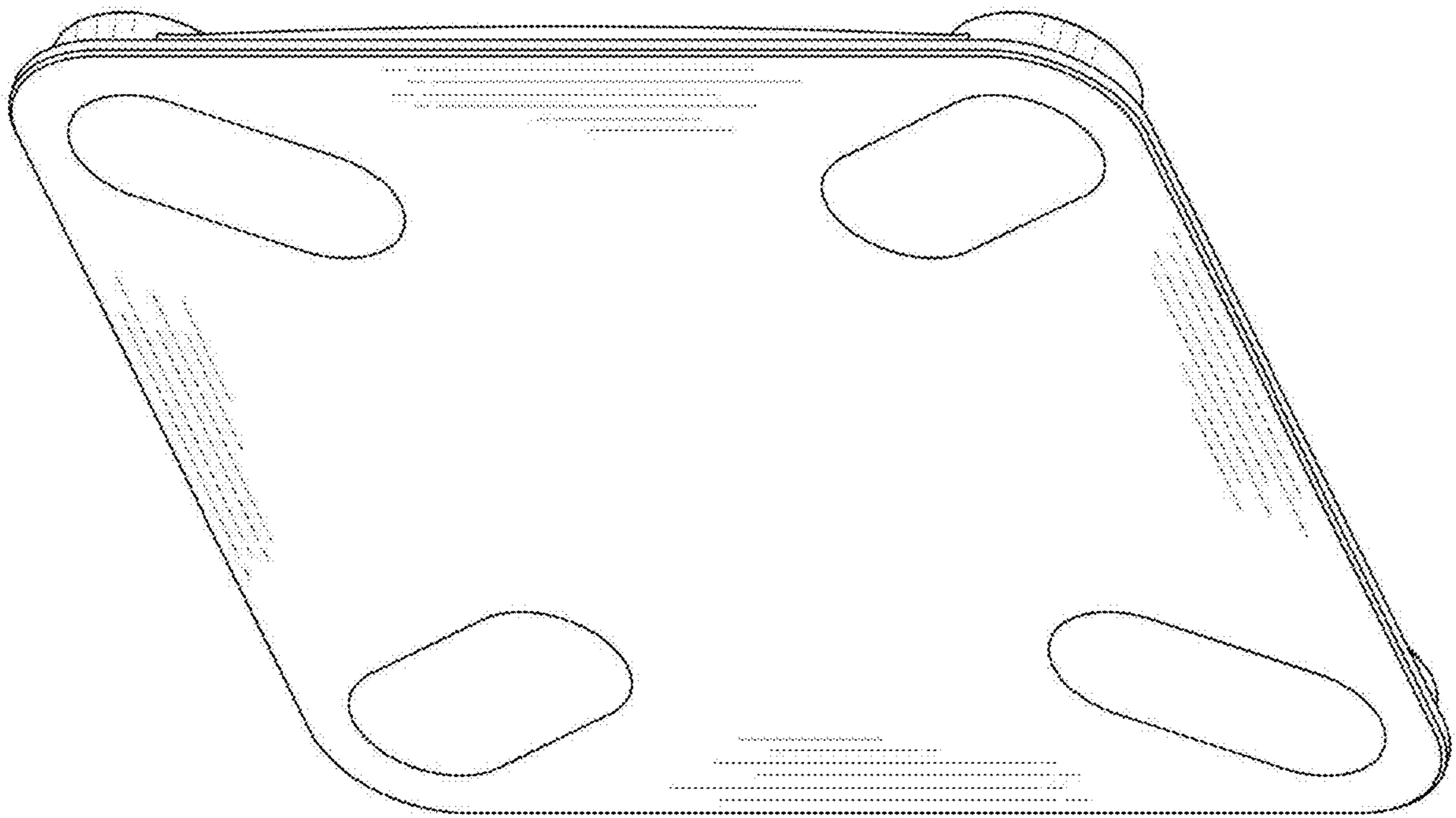


FIG.1

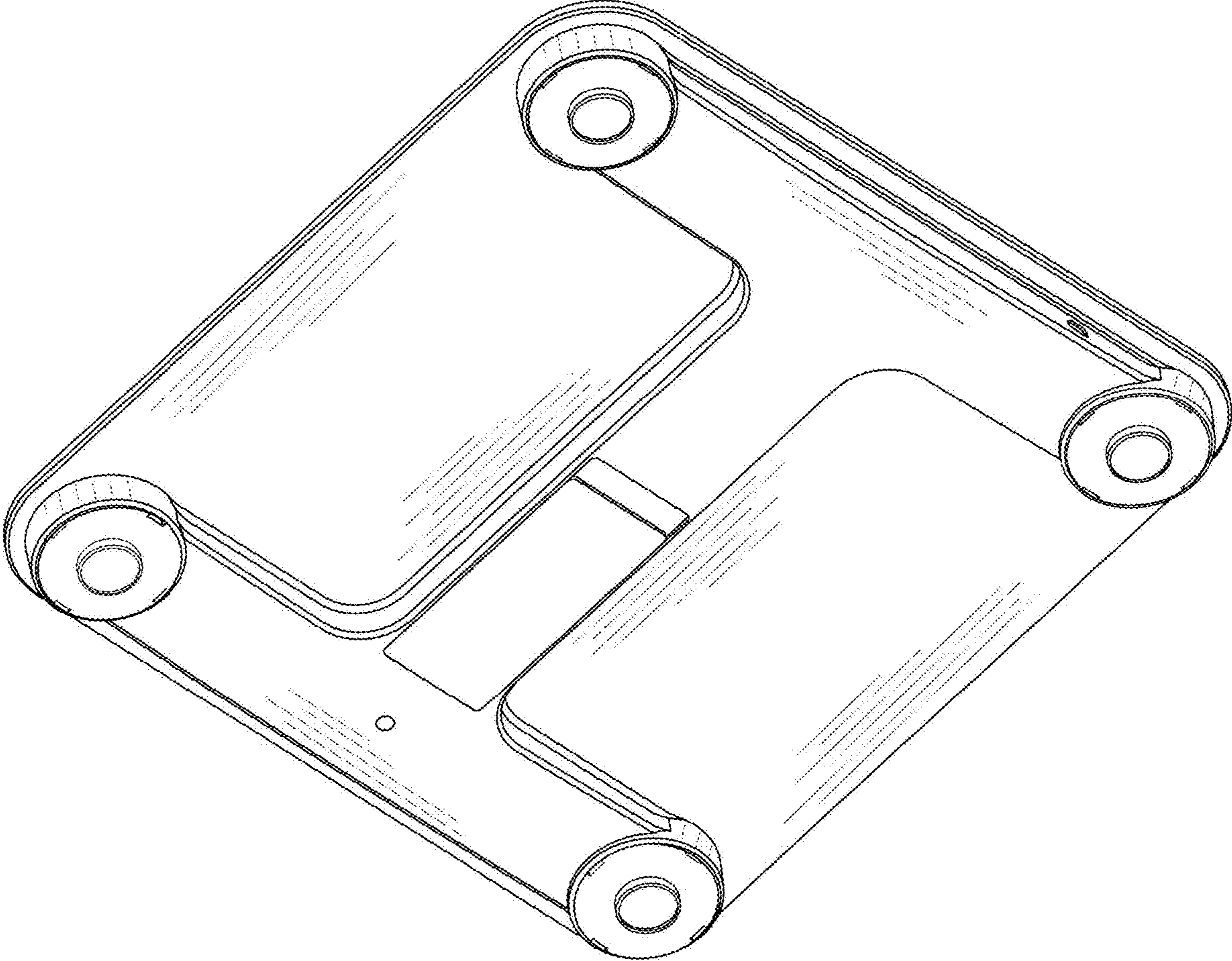


FIG.2

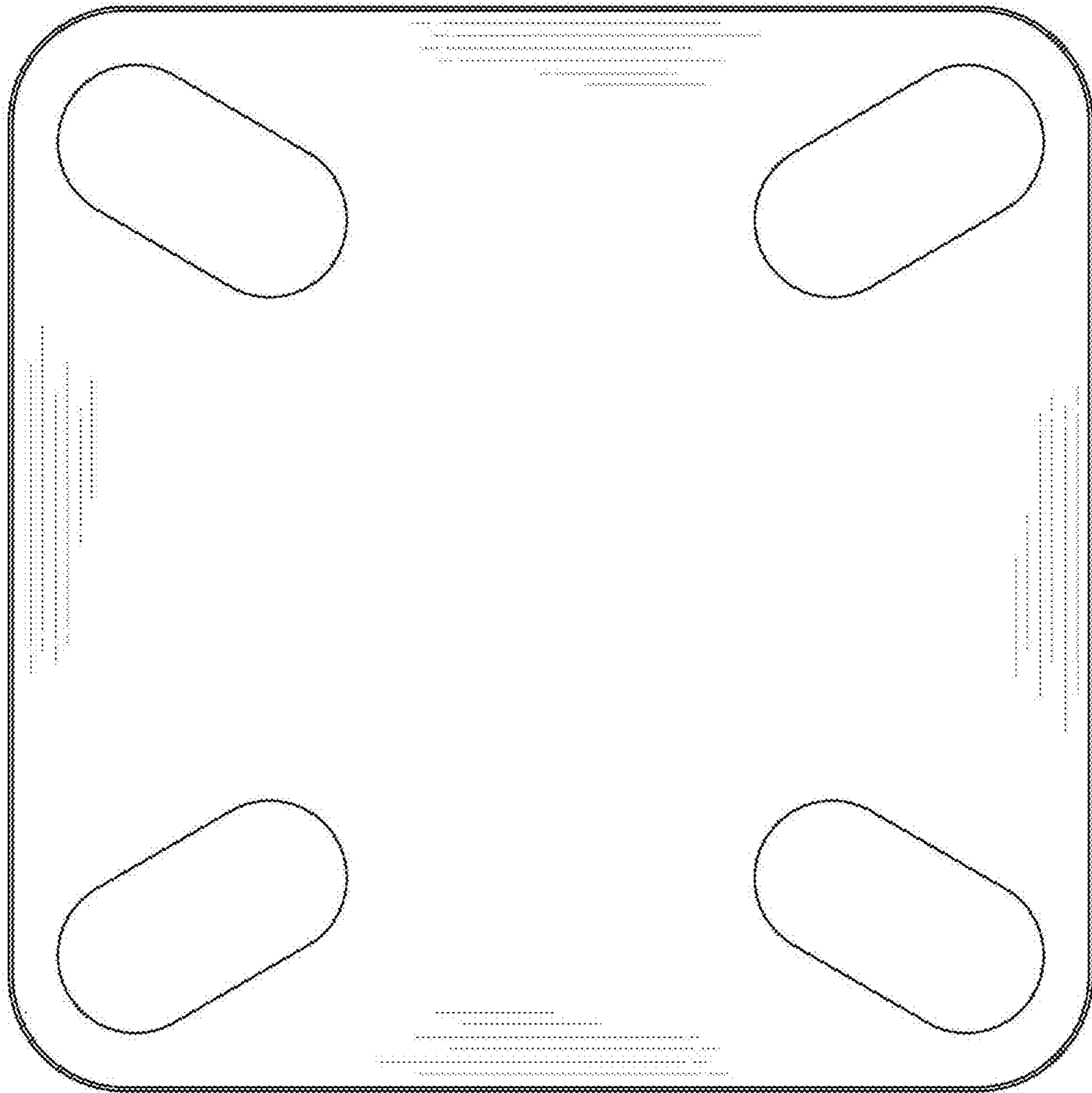


FIG.3

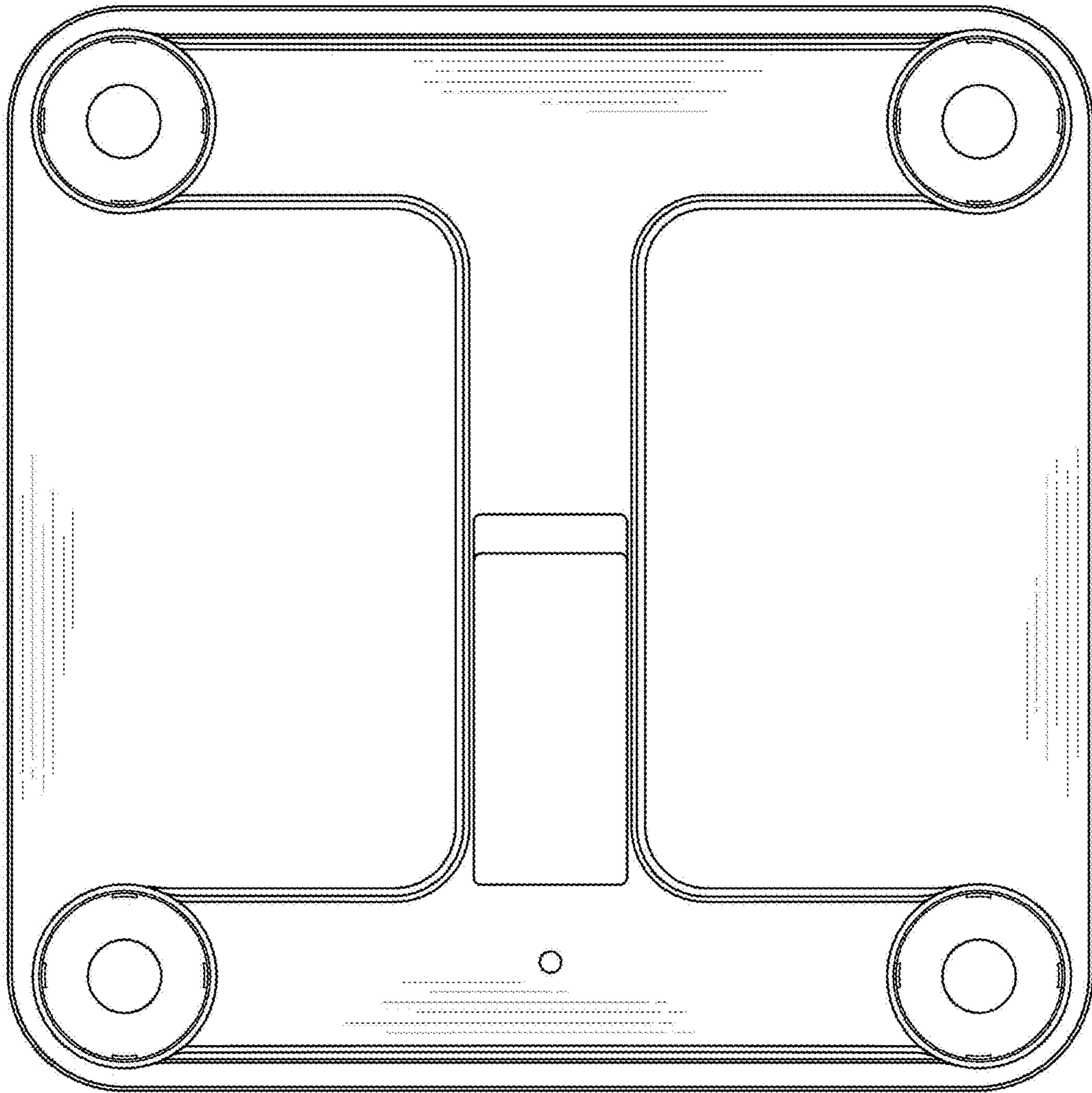


FIG.4

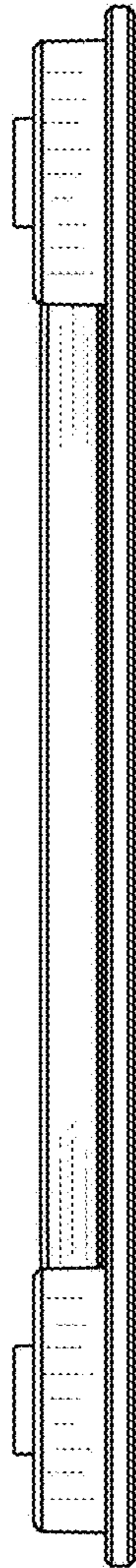


FIG.5

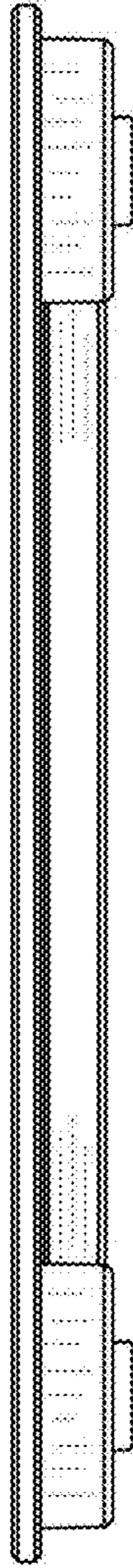


FIG.6



FIG.7

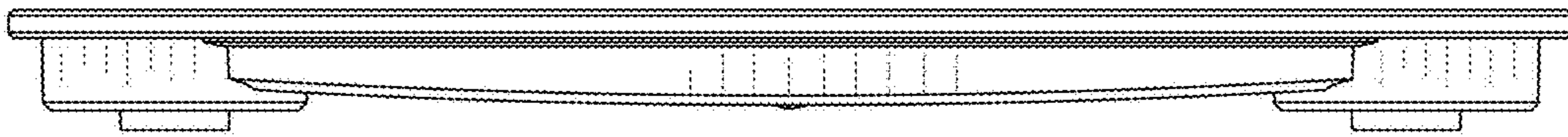


FIG. 8