



US00D895460S

(12) **United States Design Patent**
Li

(10) **Patent No.:** **US D895,460 S**

(45) **Date of Patent:** **** Sep. 8, 2020**

(54) **MULTIMETER**

(71) Applicant: **Qing Li**, Xianning (CN)

(72) Inventor: **Qing Li**, Xianning (CN)

(**) Term: **15 Years**

(21) Appl. No.: **29/711,410**

(22) Filed: **Oct. 31, 2019**

(51) **LOC (12) Cl.** **10-04**

(52) **U.S. Cl.**
USPC **D10/78**

(58) **Field of Classification Search**
USPC D10/78

CPC G01R 1/06788; G01R 1/22; G01R 1/04;
G01R 15/125; G01R 15/181; G01R
15/186; G01R 15/12; G01R 15/04; G01R
15/06; G01R 19/2503; G01R 1/20; G01R
1/203; G01R 1/206; G01R 1/24; G01R
1/26; G01R 31/3278; G01D 11/24; G01D
11/245; G01D 11/26; G06F 17/00

See application file for complete search history.

(56) **References Cited**

U.S. PATENT DOCUMENTS

D261,488 S * 10/1981 Lindsay D10/78
8,374,507 B2 * 2/2013 Hudson H04B 10/11
398/115

D723,401 S * 3/2015 Shen D10/78
D723,959 S * 3/2015 Huang D10/78
D744,361 S * 12/2015 Huang H04B 10/11
D10/78

* cited by examiner

Primary Examiner — Antoine Duval Davis

(57) **CLAIM**

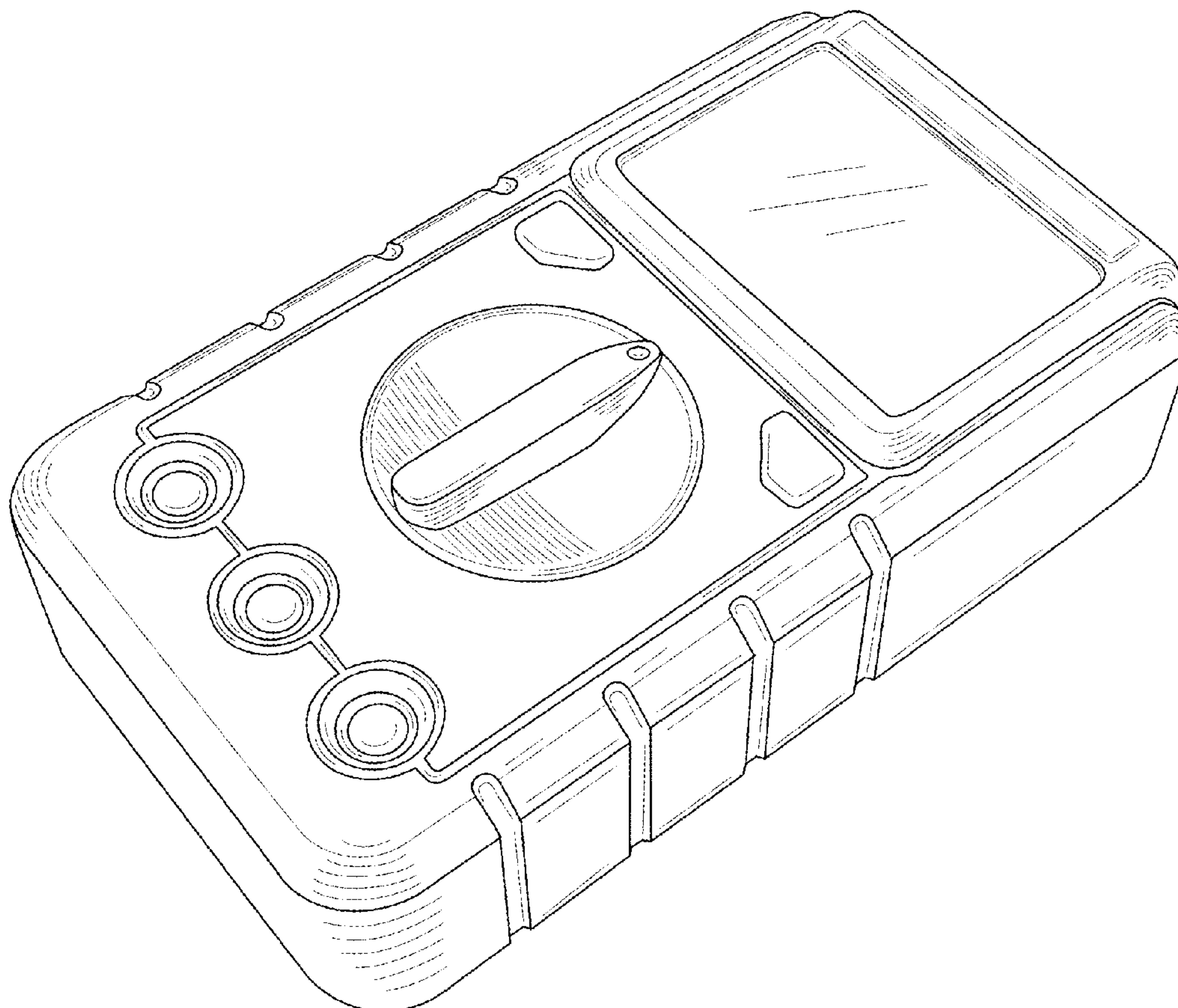
The ornamental design for a multimeter, as shown and described.

DESCRIPTION

FIG. 1 is a perspective view of a multimeter showing my new design;
FIG. 2 is another perspective view thereof;
FIG. 3 is a front elevational view thereof;
FIG. 4 is a rear elevational view thereof;
FIG. 5 is a left side elevational view thereof;
FIG. 6 is a right side elevational view thereof;
FIG. 7 is a top plan view thereof; and,
FIG. 8 is a bottom plan view thereof.

The broken lines in the drawings depict portions of the multimeter that form no part of the claimed design.

1 Claim, 8 Drawing Sheets



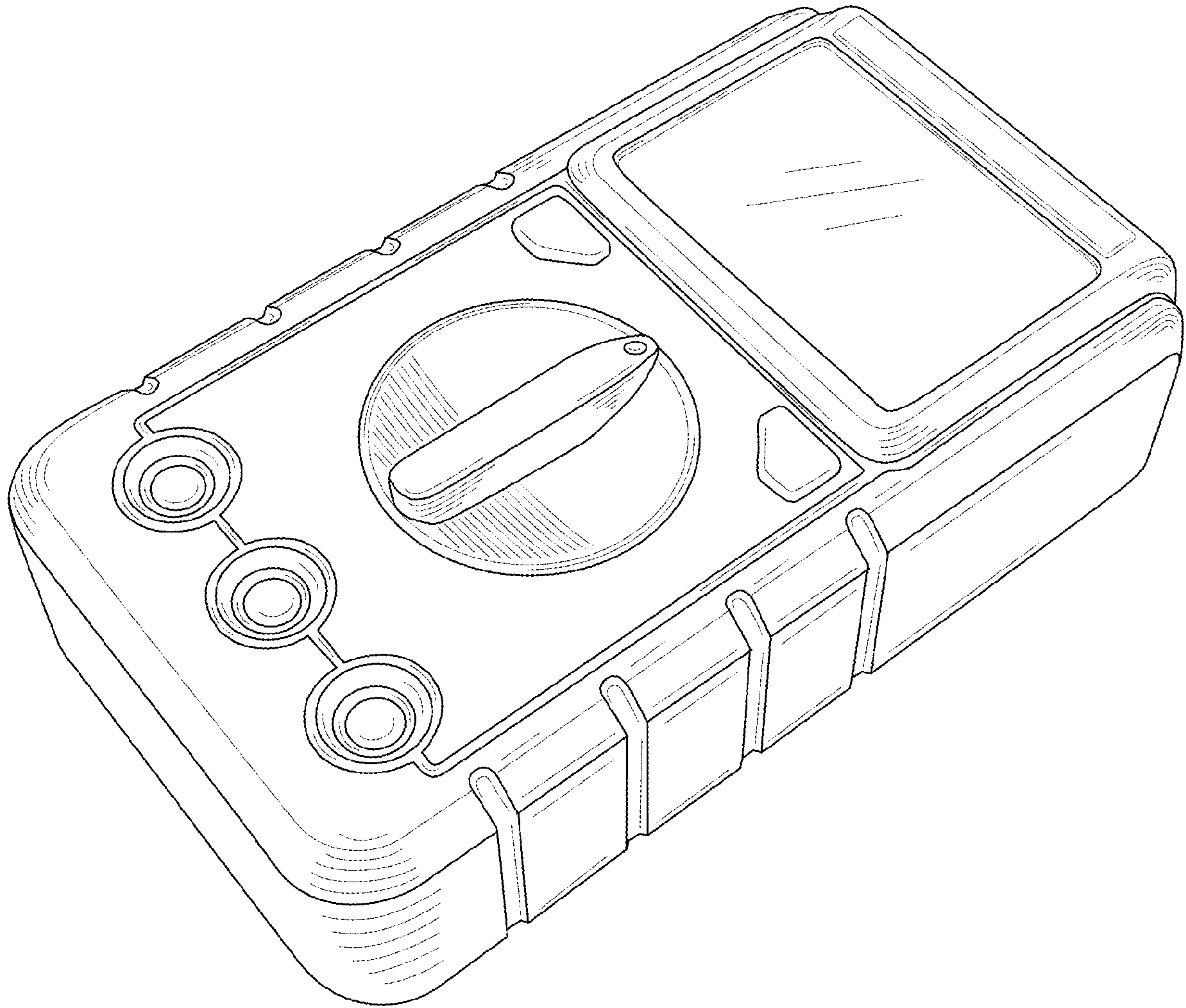


FIG. 1

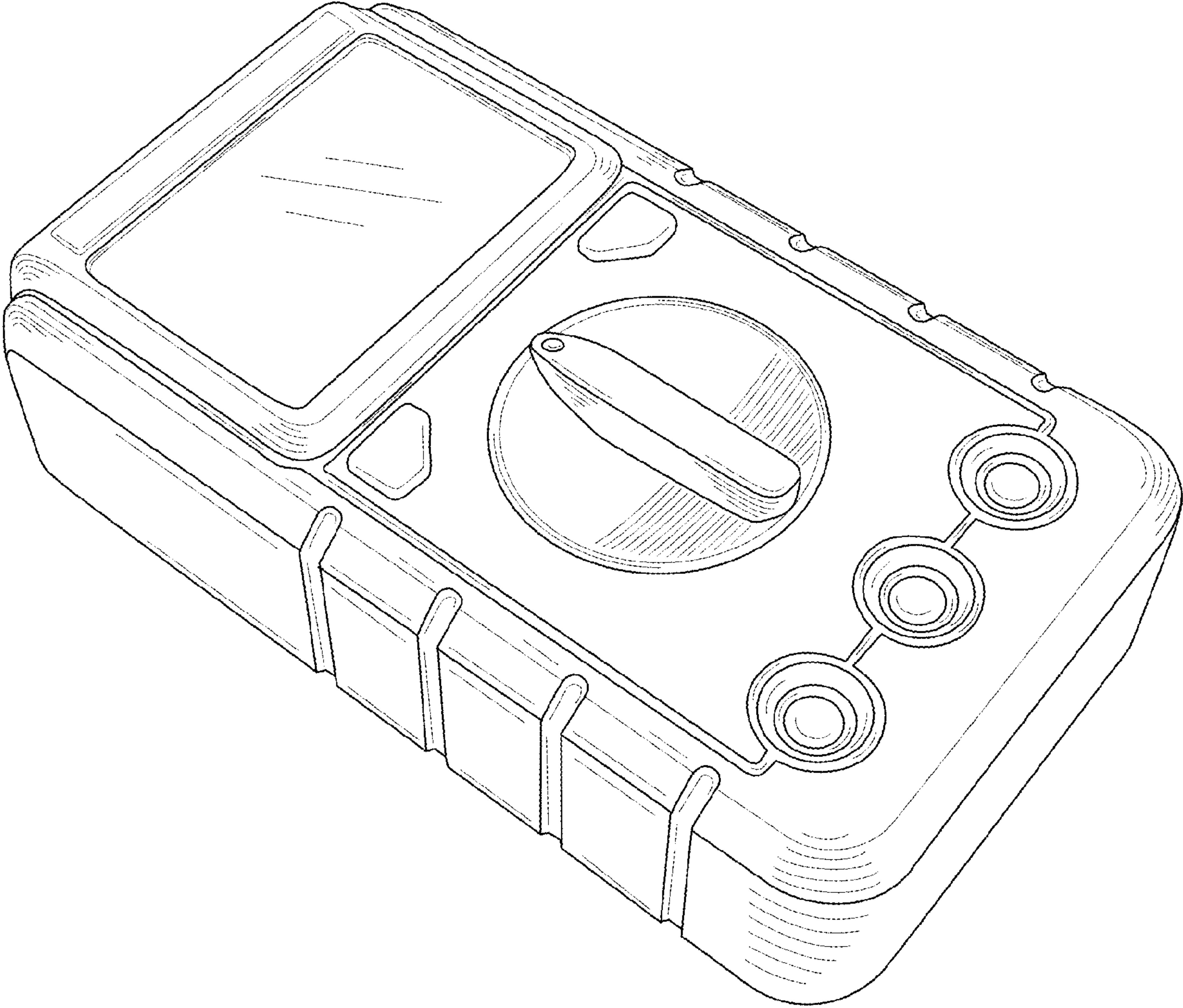


FIG. 2

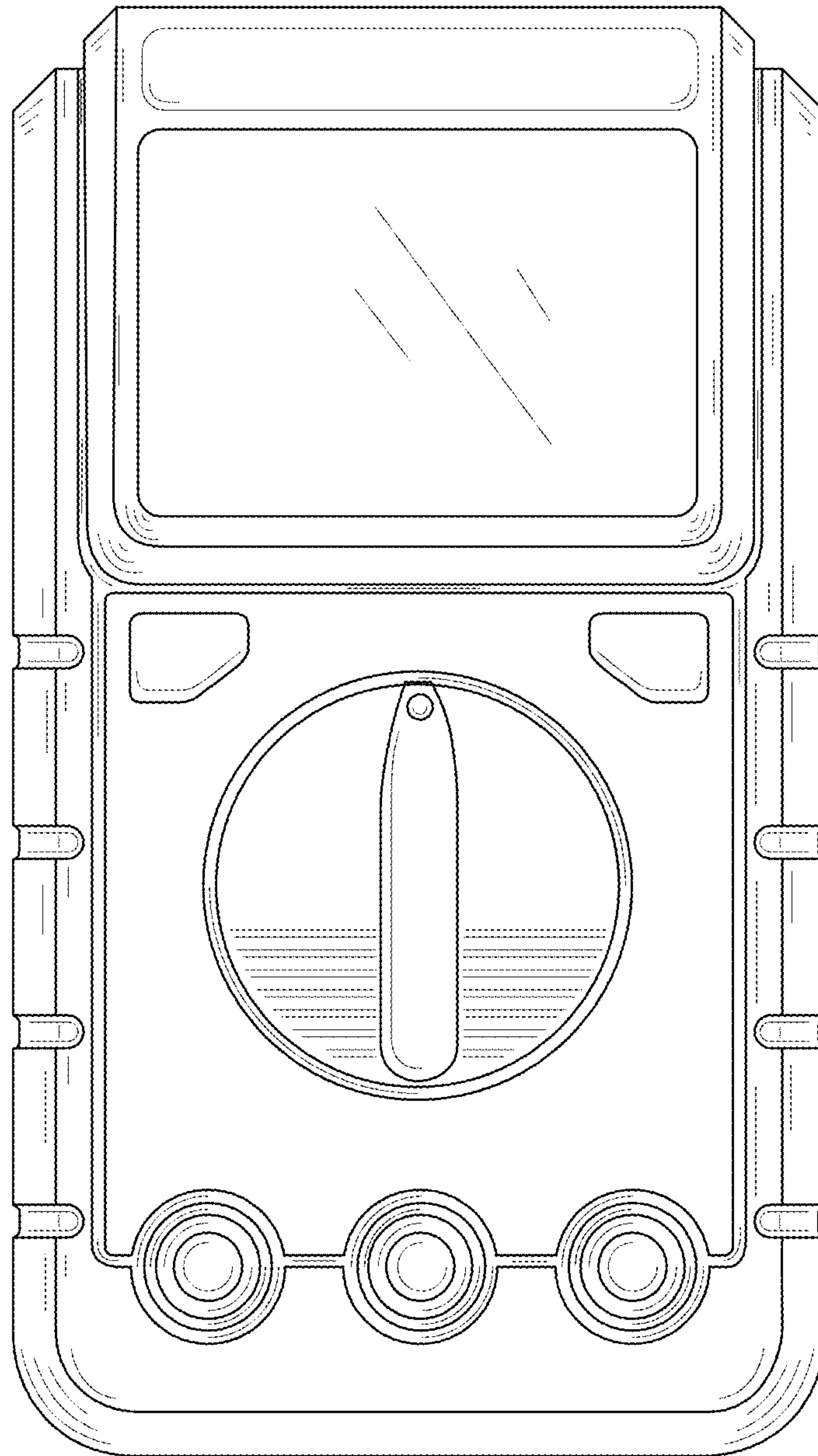


FIG. 3

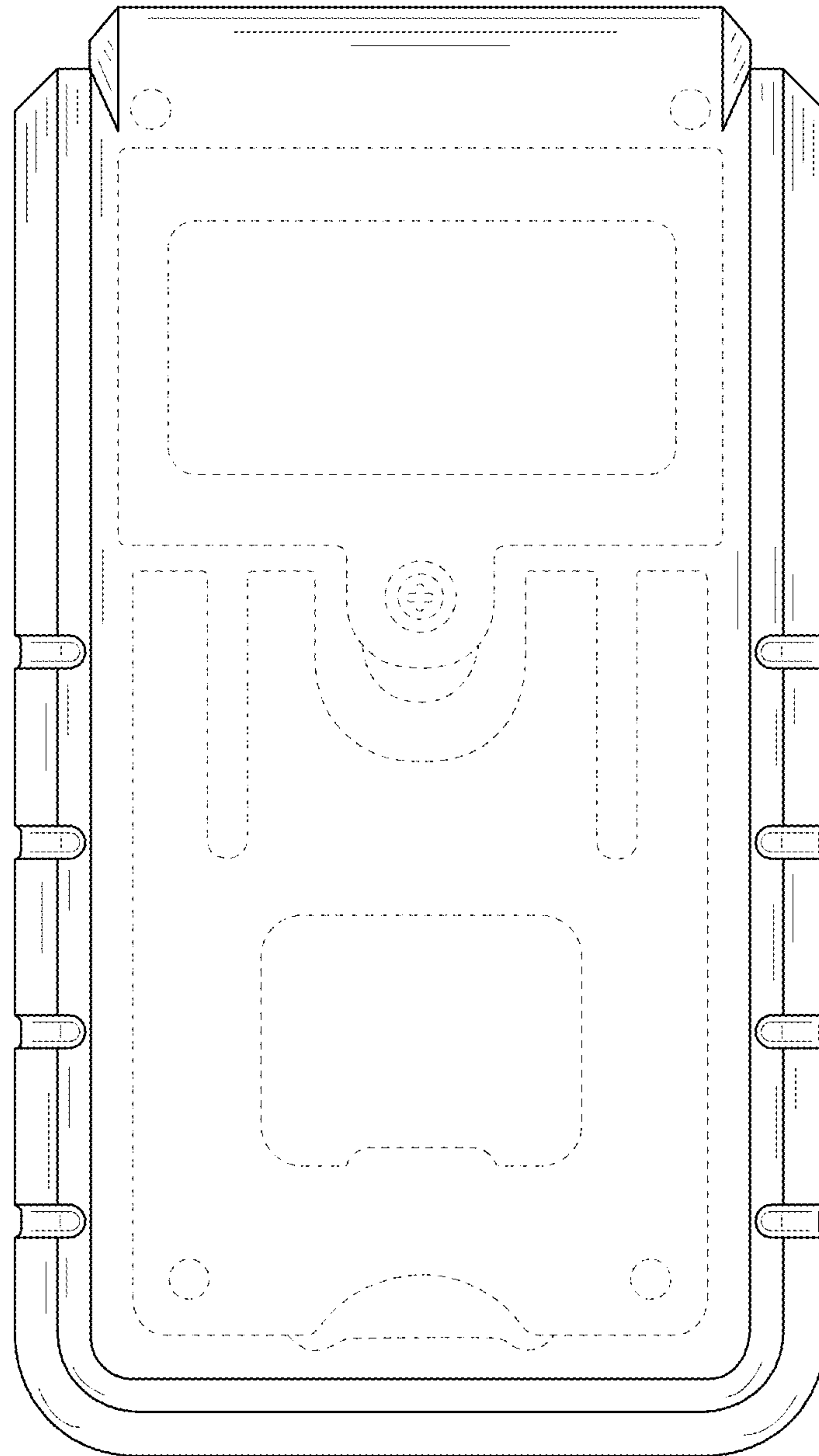


FIG. 4

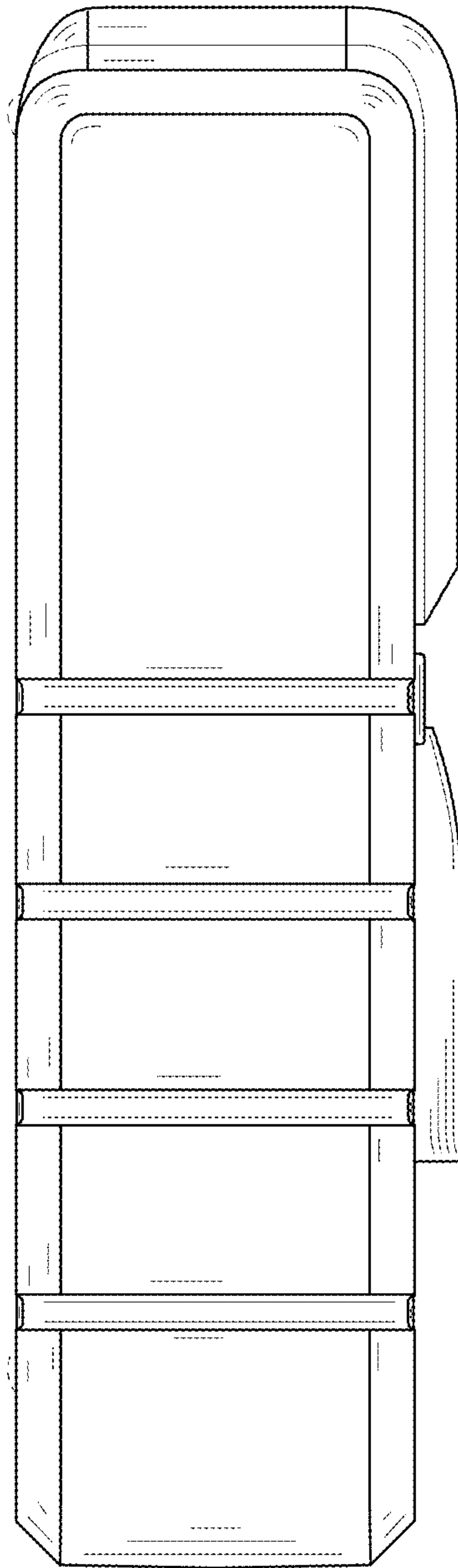


FIG. 5

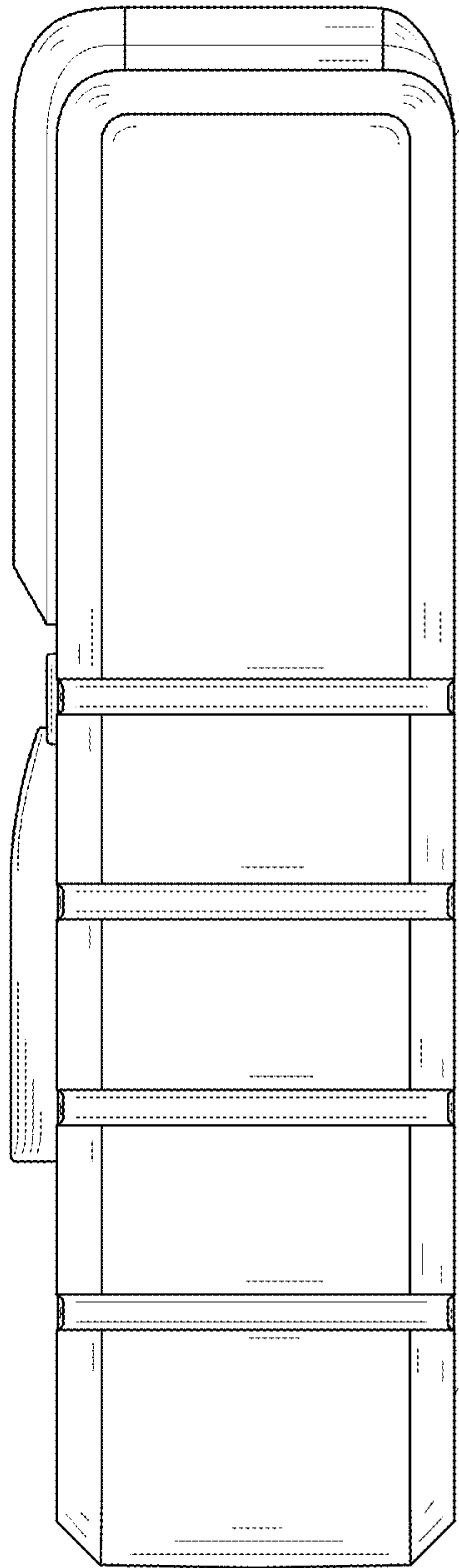


FIG. 6

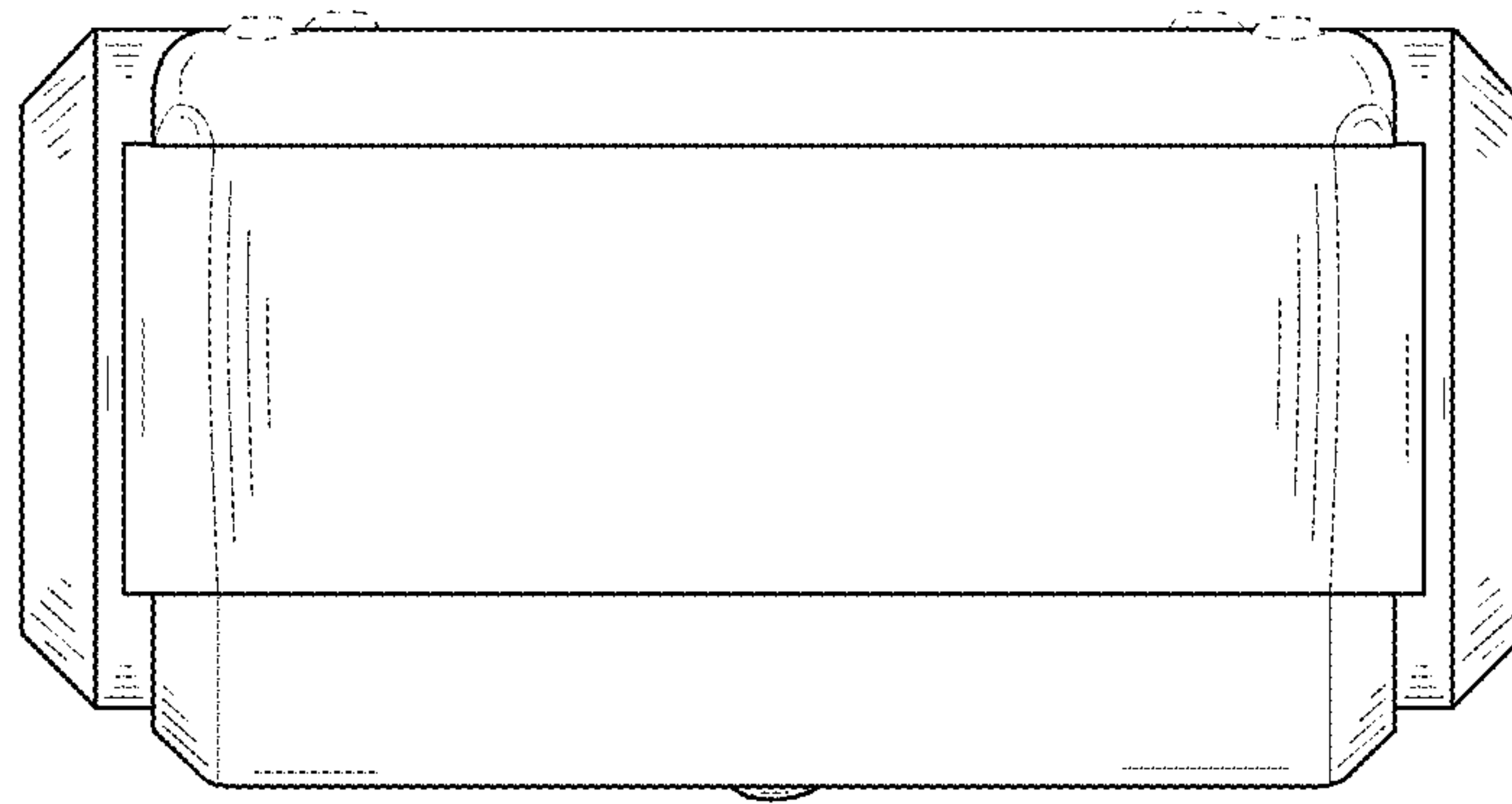


FIG. 7

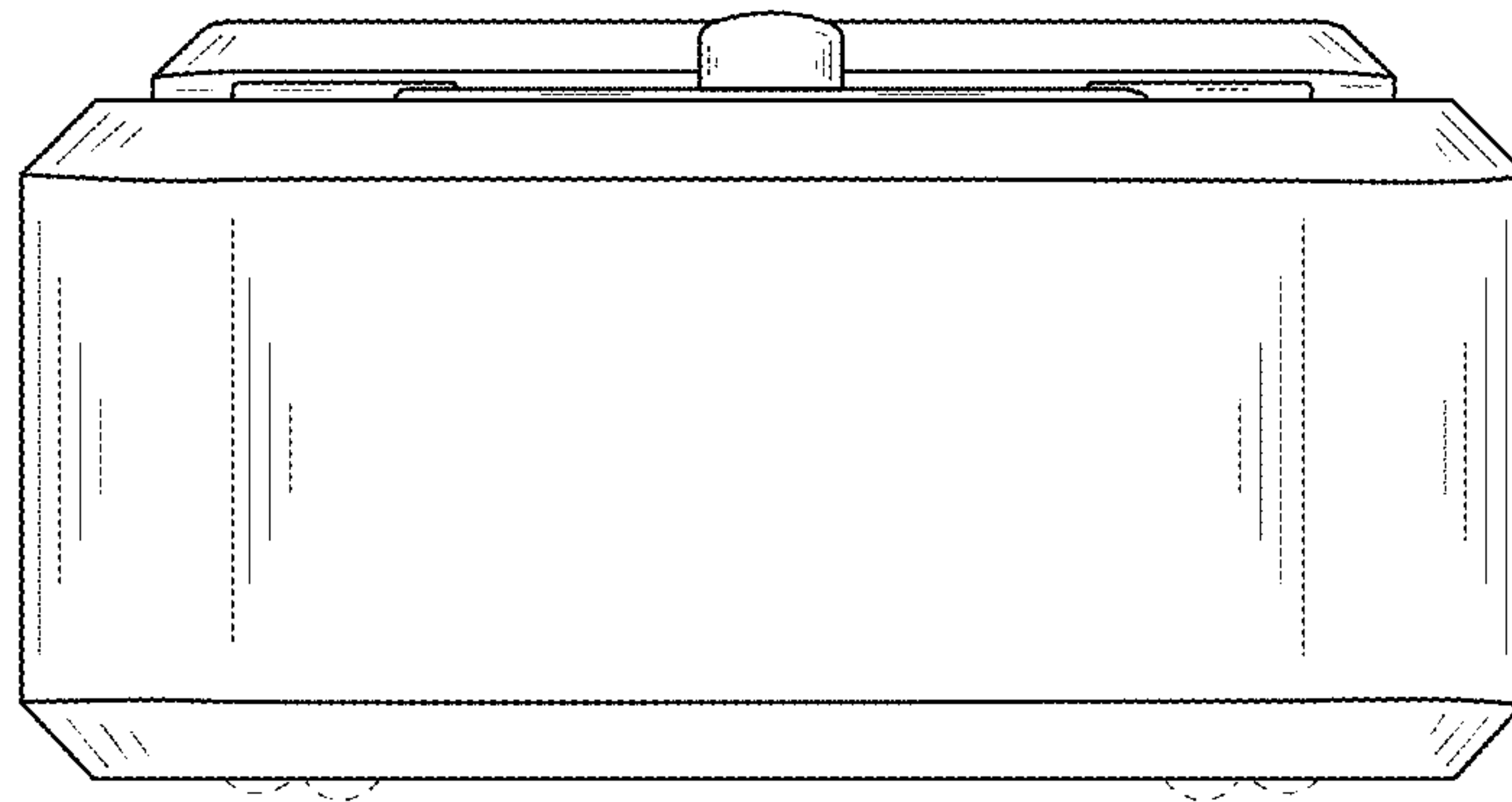


FIG. 8