



US00D895459S

(12) **United States Design Patent** (10) **Patent No.:** **US D895,459 S**
Kang (45) **Date of Patent:** **** Sep. 8, 2020**

(54) **SONAR**
 (71) Applicant: **UAB "DEEPER"**, Vilnius (LT)
 (72) Inventor: **Moses Kang**, Vilnius (LT)
 (73) Assignee: **UAB Deeper**, Vilnius (LT)
 (**) Term: **15 Years**

(21) Appl. No.: **35/505,850**
 (22) Filed: **Apr. 11, 2018**

(80) **Hague Agreement Data**
 Int. Filing Date: **Apr. 11, 2018**
 Int. Reg. No.: **DM/100853**
 Int. Reg. Date: **Apr. 11, 2018**
 Int. Reg. Pub. Date: **Oct. 12, 2018**

(51) **LOC (12) Cl.** **10-04**
 (52) **U.S. Cl.**
 USPC **D10/70**
 CPC **G01S 1/04** (2013.01)

(58) **Field of Classification Search**
 USPC D10/46, 70; 73/632-644; 367/178-190,
 367/DIG. 912
 CPC . G01S 1/042; G01S 1/04; G01S 1/045; G01S
 3/04; G01S 3/043; G01S 5/0221; G01S
 2007/027; G01S 2007/028; G01S 7/282;
 G01S 7/285; G01S 7/288; G01S 7/292;
 G01S 7/2921; G01S 7/2922; G01S
 7/2923; G01S 7/2925; G01S 7/2926;
 G01S 7/2927; G01S 7/2928; G01S 7/352;
 G01S 7/354; G01S 7/481; G01S 7/4811;
 G01S 7/4812; G01S 7/4813; G01S

7/4814; G01S 7/4816; G01S 7/484; G01S
 7/486; G01S 7/491; G01S 7/4911; G01S
 7/4912; G01S 7/524; G01S 7/526; G01S
 2007/2883; G01S 2007/2886; G01S
 2007/356; G01S 2007/358
 See application file for complete search history.

(56) **References Cited**

U.S. PATENT DOCUMENTS

D479,475 S * 9/2003 Dermikaelien-Covault
 D10/104.1
 D724,974 S * 3/2015 Emge D10/74
 D724,975 S * 3/2015 Emge D10/74
 9,784,826 B2 * 10/2017 Matson G01S 7/526
 D852,655 S * 7/2019 Gan D10/70

* cited by examiner

Primary Examiner — Richard E Chilcot
 (74) *Attorney, Agent, or Firm* — Defillo & Associates,
 Inc.; Evelyn A Defillo

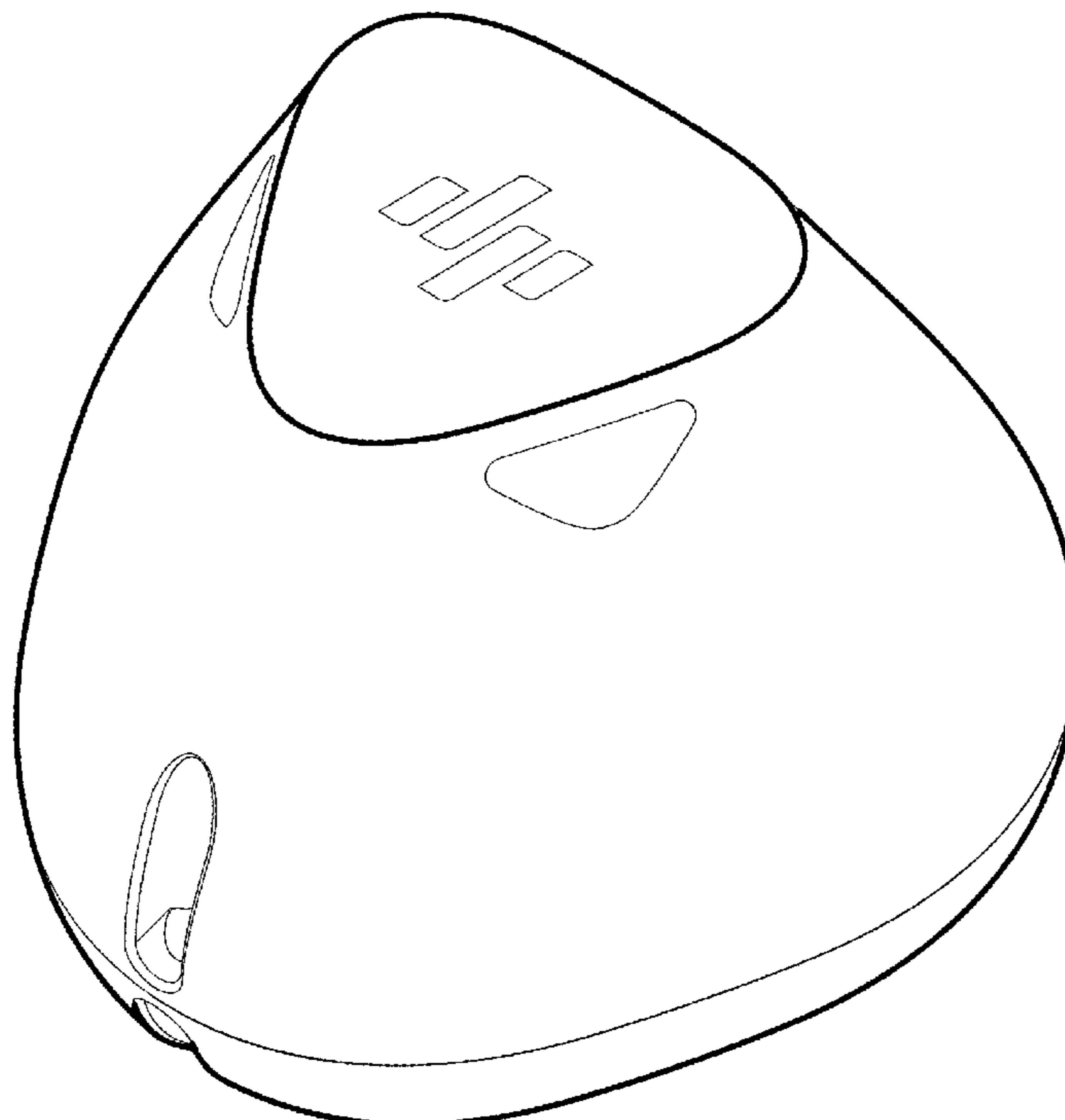
(57) **CLAIM**

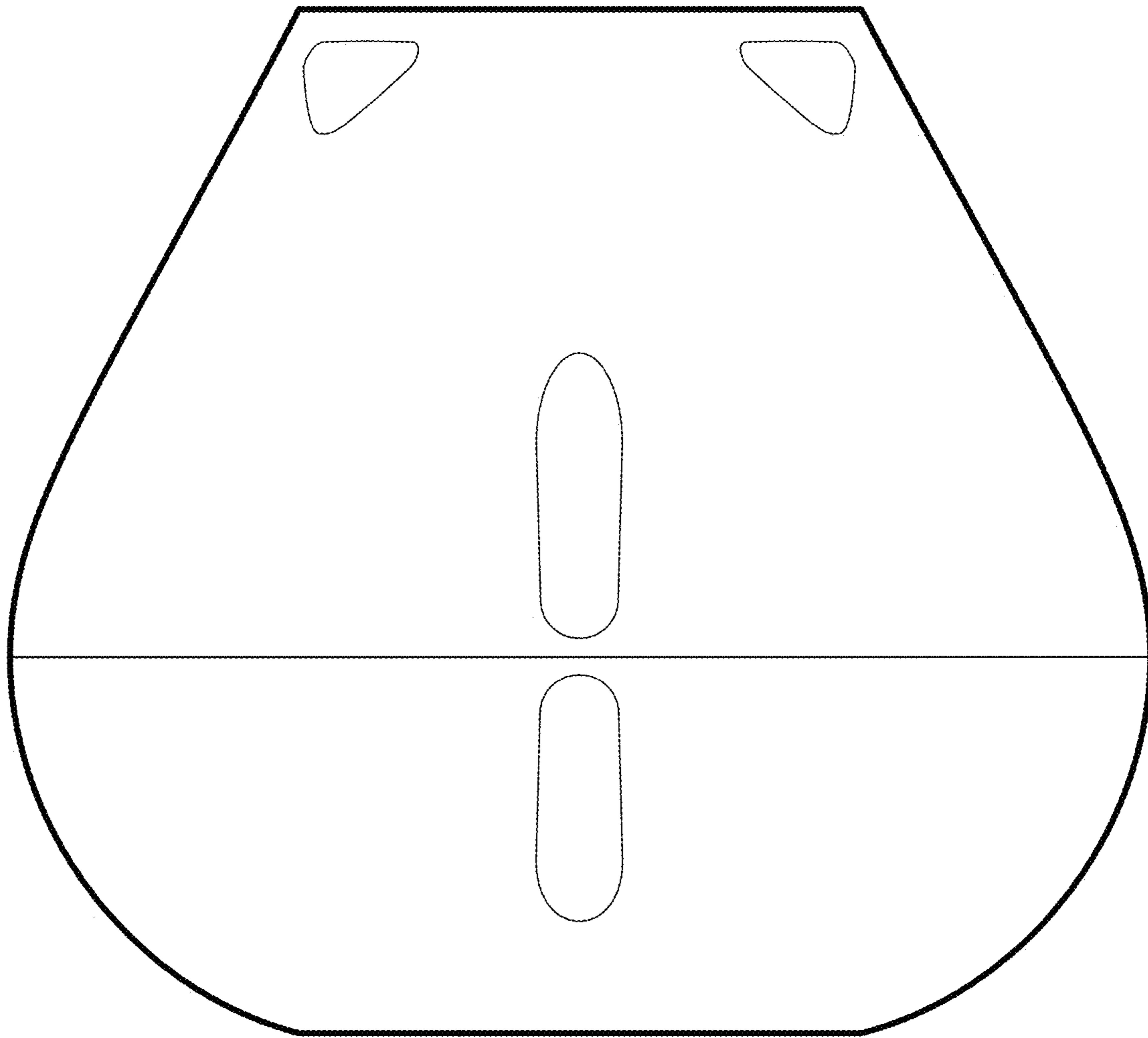
The ornamental design for sonar, as shown and described.

DESCRIPTION

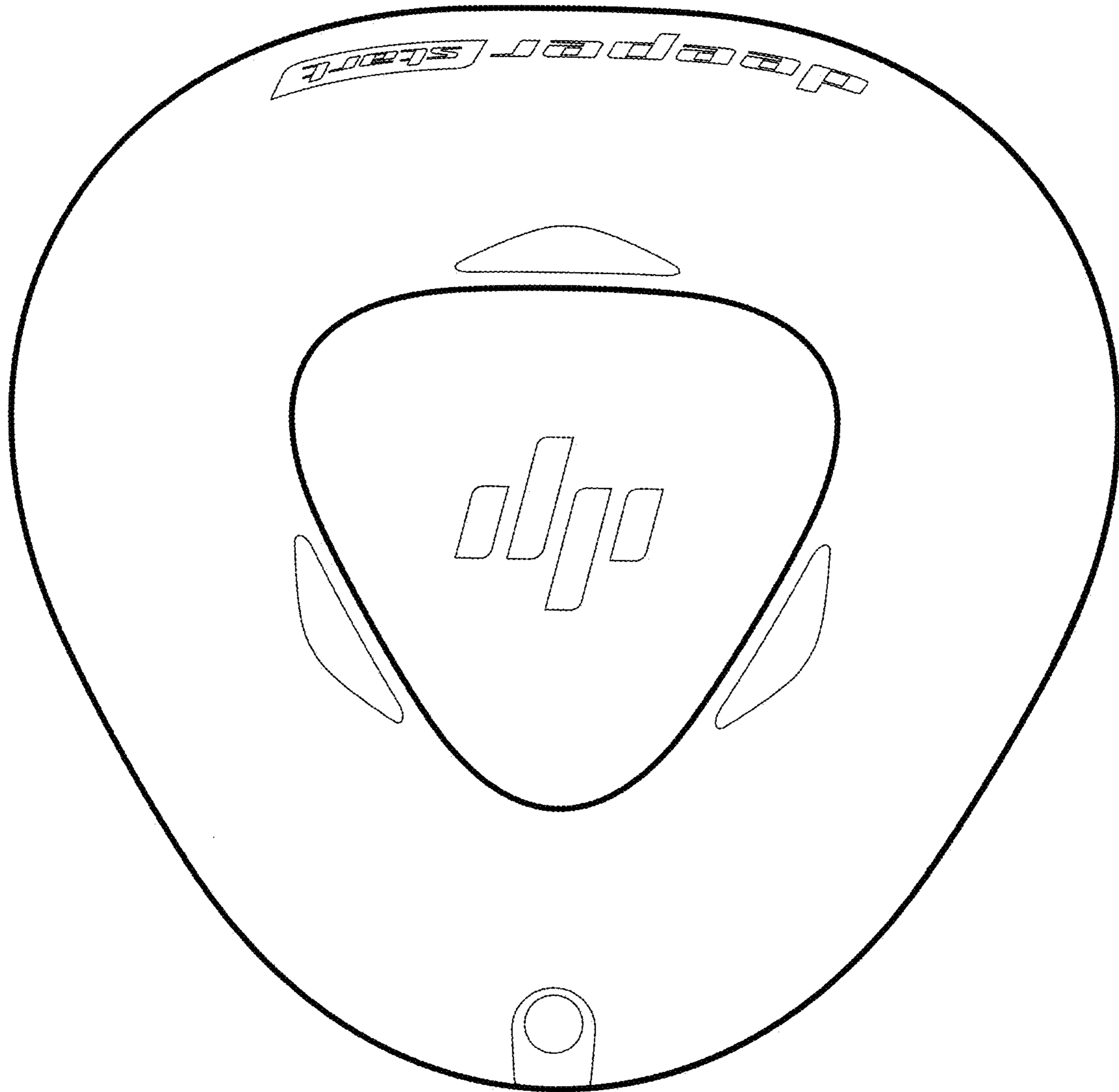
- 1. Sonar
- 1.1 : Front
- 1.2 : Top
- 1.3 : Back
- 1.4 : Perspective

1 Claim, 4 Drawing Sheets

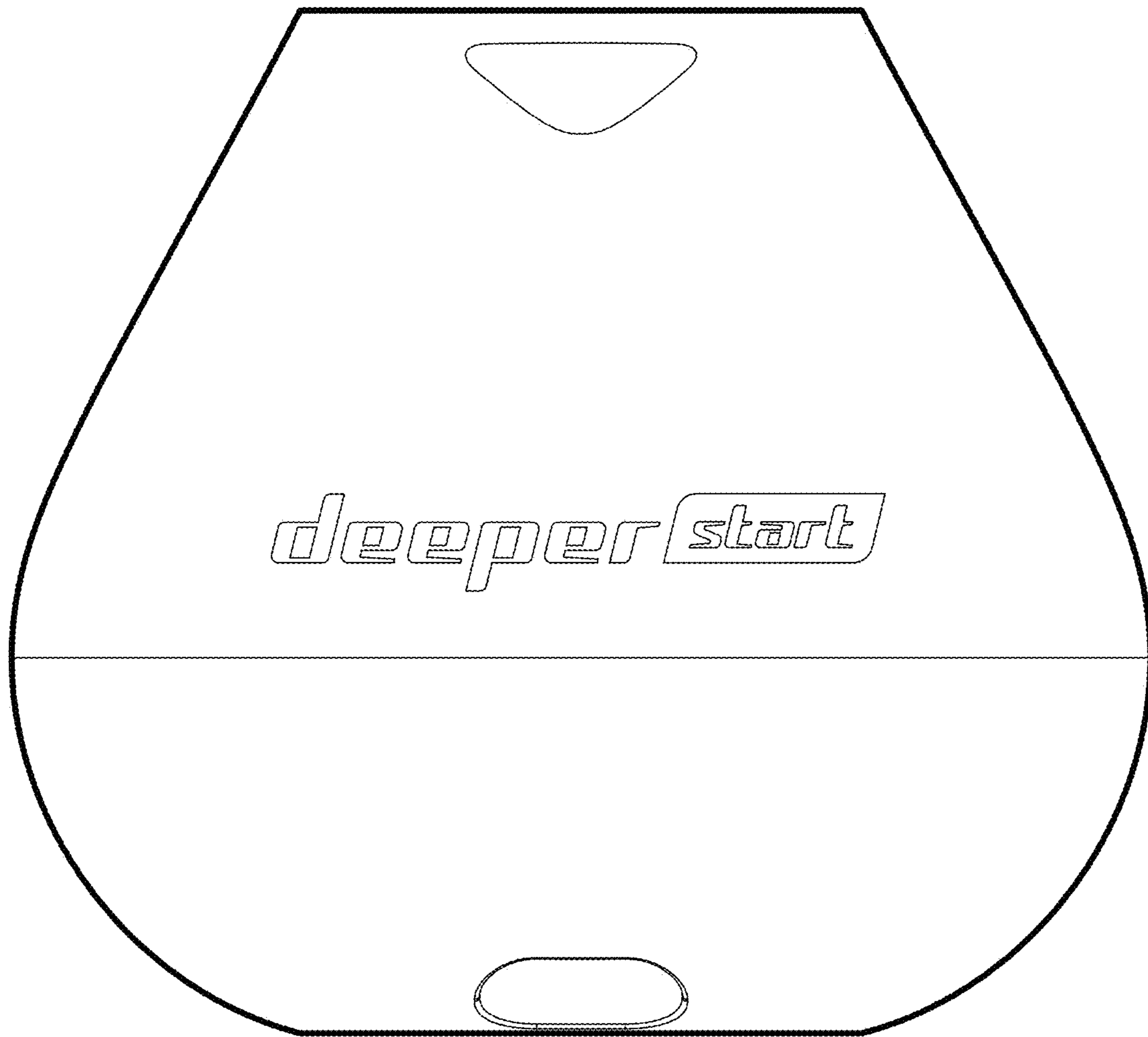




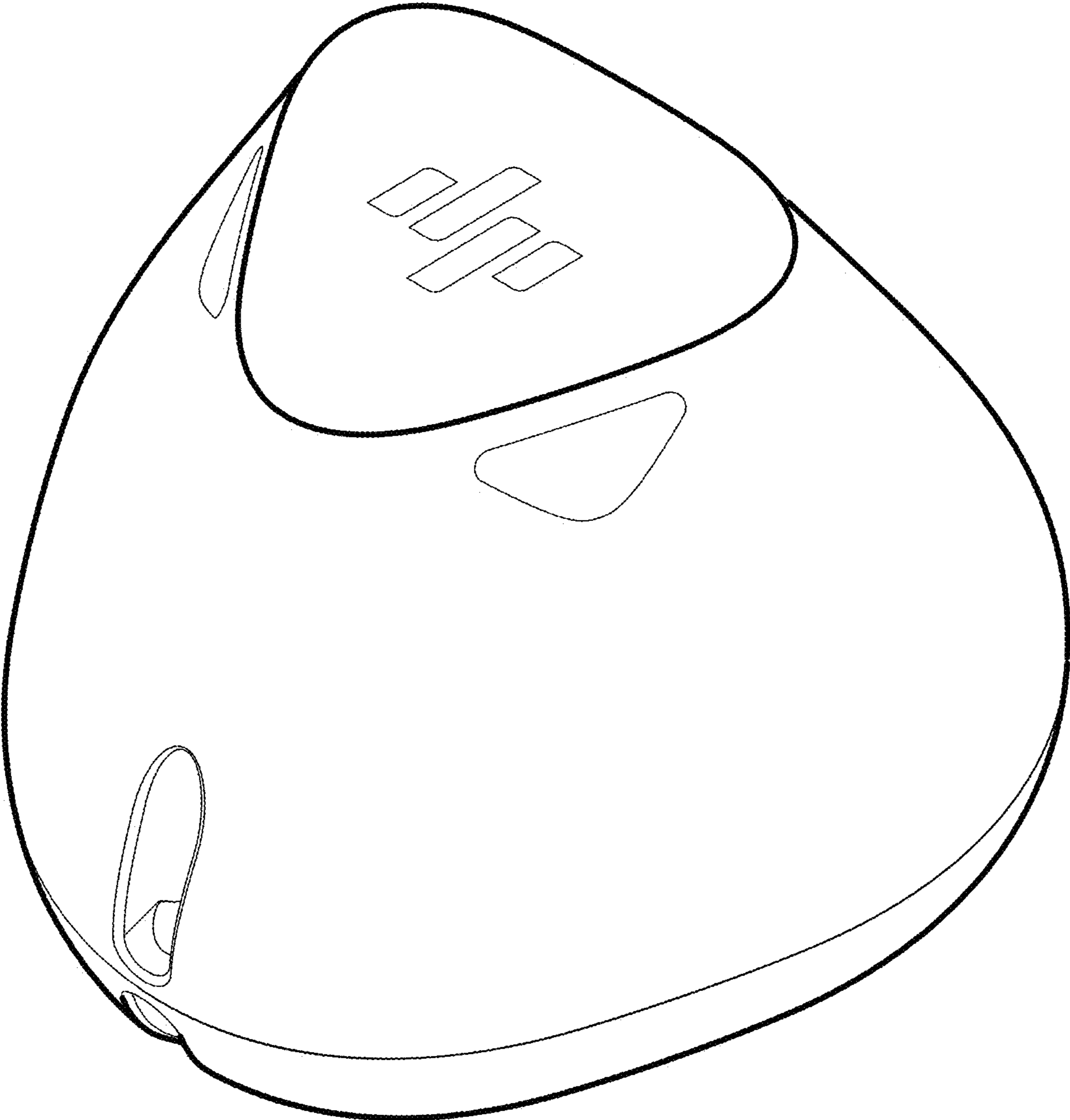
1.1



1.2



1.3



1.4