

US00D895458S

(12) **United States Design Patent** (10) **Patent No.:** **US D895,458 S**
Nyhart et al. (45) **Date of Patent:** **** Sep. 8, 2020**

(54) **RANGEFINDER**

(56) **References Cited**

(71) Applicant: **BUSHNELL INC.**, Overland Park, KS (US)

U.S. PATENT DOCUMENTS

(72) Inventors: **Scott O. Nyhart**, Shawnee, KS (US);
John DeCastro, Overland Park, KS (US); **Craig Barez**, Temecula, CA (US)

D519,045 S * 4/2006 Wu D10/70
D525,544 S * 7/2006 Nojima D10/70
D611,848 S * 3/2010 Liu D10/70
D716,858 S * 11/2014 Kobayashi D16/132
D823,147 S * 7/2018 Bainter D10/70
D845,795 S * 4/2019 Kim A63B 69/36

(73) Assignee: **BUSHNELL INC.**, Overland Park, KS (US)

2012/0105283 A1 * 5/2012 Nyhart A63B 69/36
D10/70
342/357.31

(**) Term: **15 Years**

* cited by examiner

(21) Appl. No.: **29/676,881**

Primary Examiner — Antoine Duval Davis

(22) Filed: **Jan. 15, 2019**

(74) *Attorney, Agent, or Firm* — Walter M. Egbert, III;
Gerard M. Donovan; Reed Smith LLP

Related U.S. Application Data

(63) Continuation of application No. 29/619,217, filed on Sep. 27, 2017, now Pat. No. Des. 842,723.

(51) **LOC (12) Cl.** **10-04**

(52) **U.S. Cl.**
USPC **D10/70**

(58) **Field of Classification Search**
USPC D10/70

CPC . A63B 71/06; A63B 71/0669; A63B 2220/12;
A63B 2220/18; A63B 2220/72; A63B 2220/73; A63B 2220/76; A63B 2220/20;
A63B 2220/805; A63B 2102/32; F41G 1/00; F41G 3/065; G01C 3/08; G01S 7/48; G01S 7/51; G01S 7/4813; G01S 7/4873; G01S 7/497; G01S 17/023; G01S 17/10; G01S 17/105; G01S 19/19

See application file for complete search history.

(57) **CLAIM**

The ornamental design for a rangefinder, as shown and described.

DESCRIPTION

FIG. 1 is a right side view of a rangefinder;

FIG. 2 is a left side view thereof;

FIG. 3 is a top view thereof;

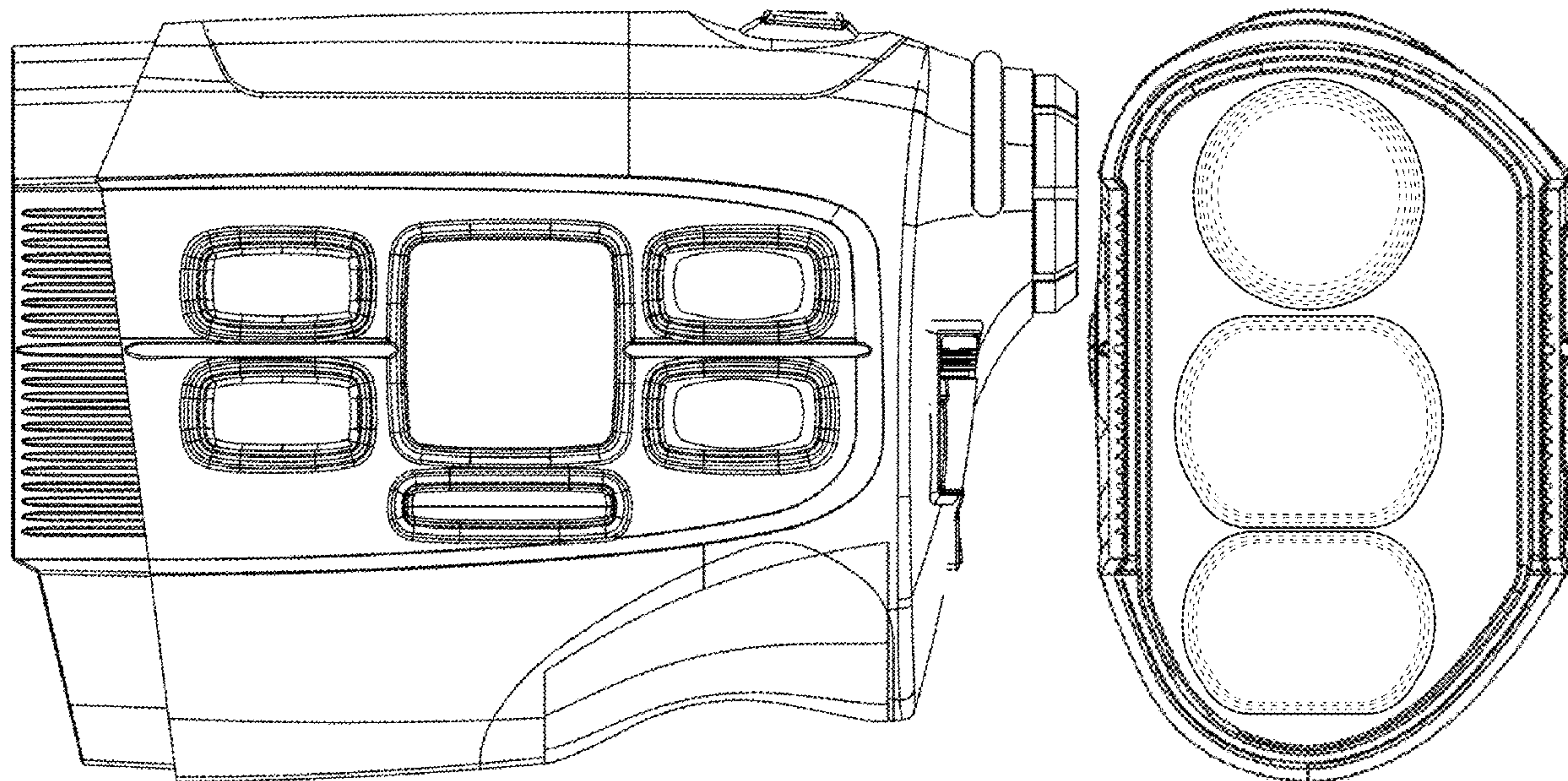
FIG. 4 is a bottom view thereof;

FIG. 5 is a front view thereof; and,

FIG. 6 is a rear view thereof.

The broken lines are for environmental purposes only and form no part of the claimed design.

1 Claim, 6 Drawing Sheets



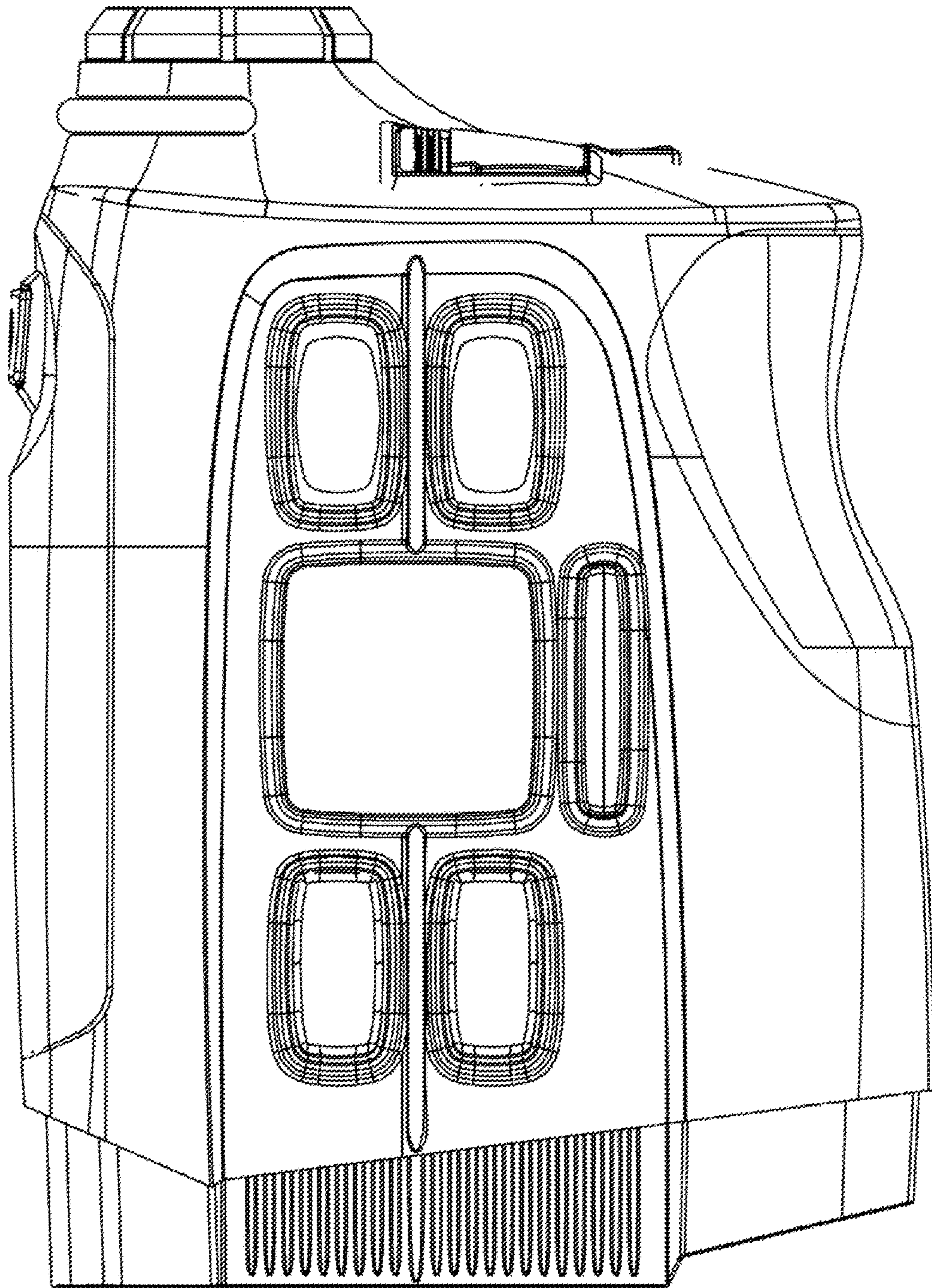


FIG. 1

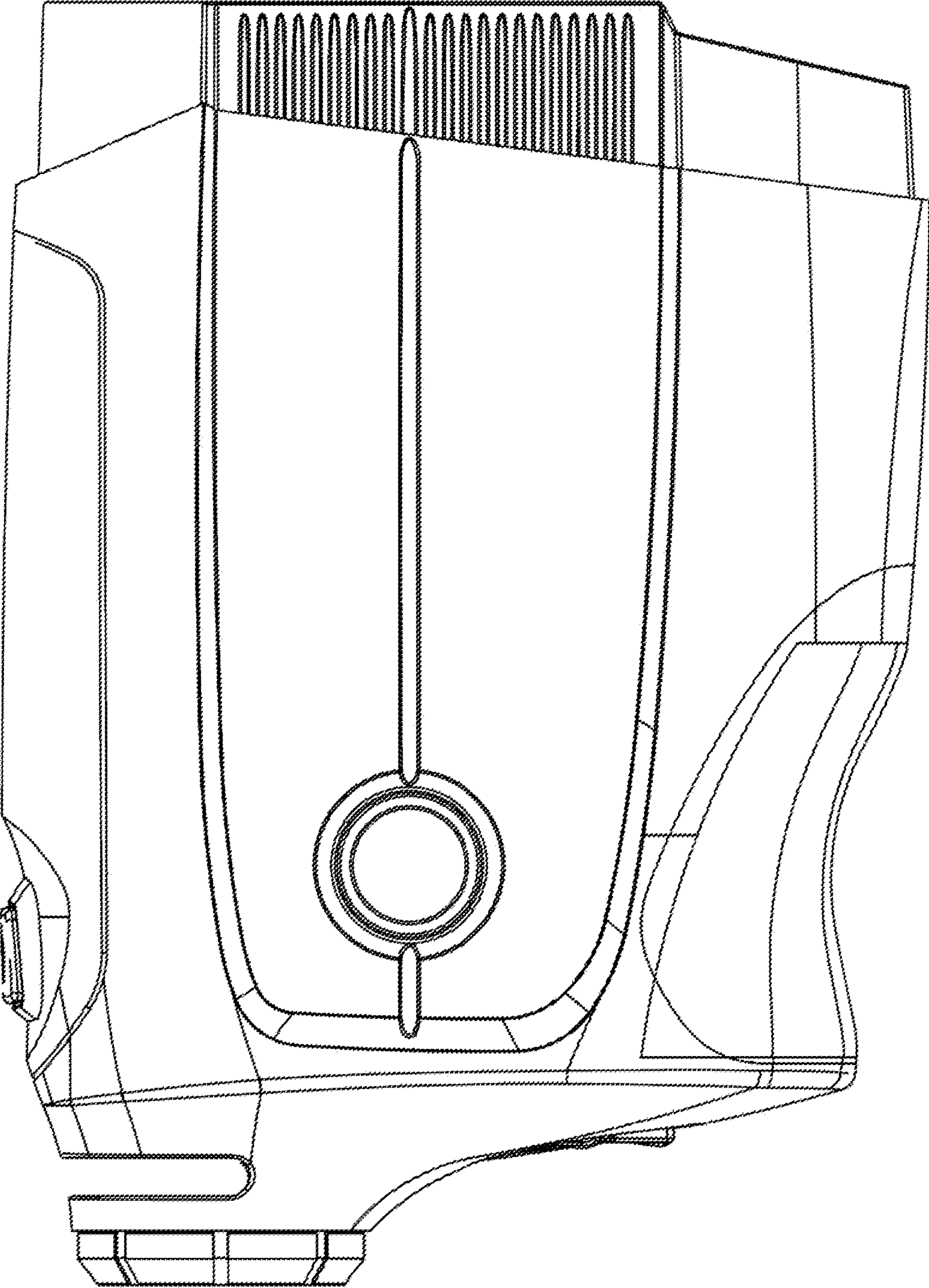


FIG. 2

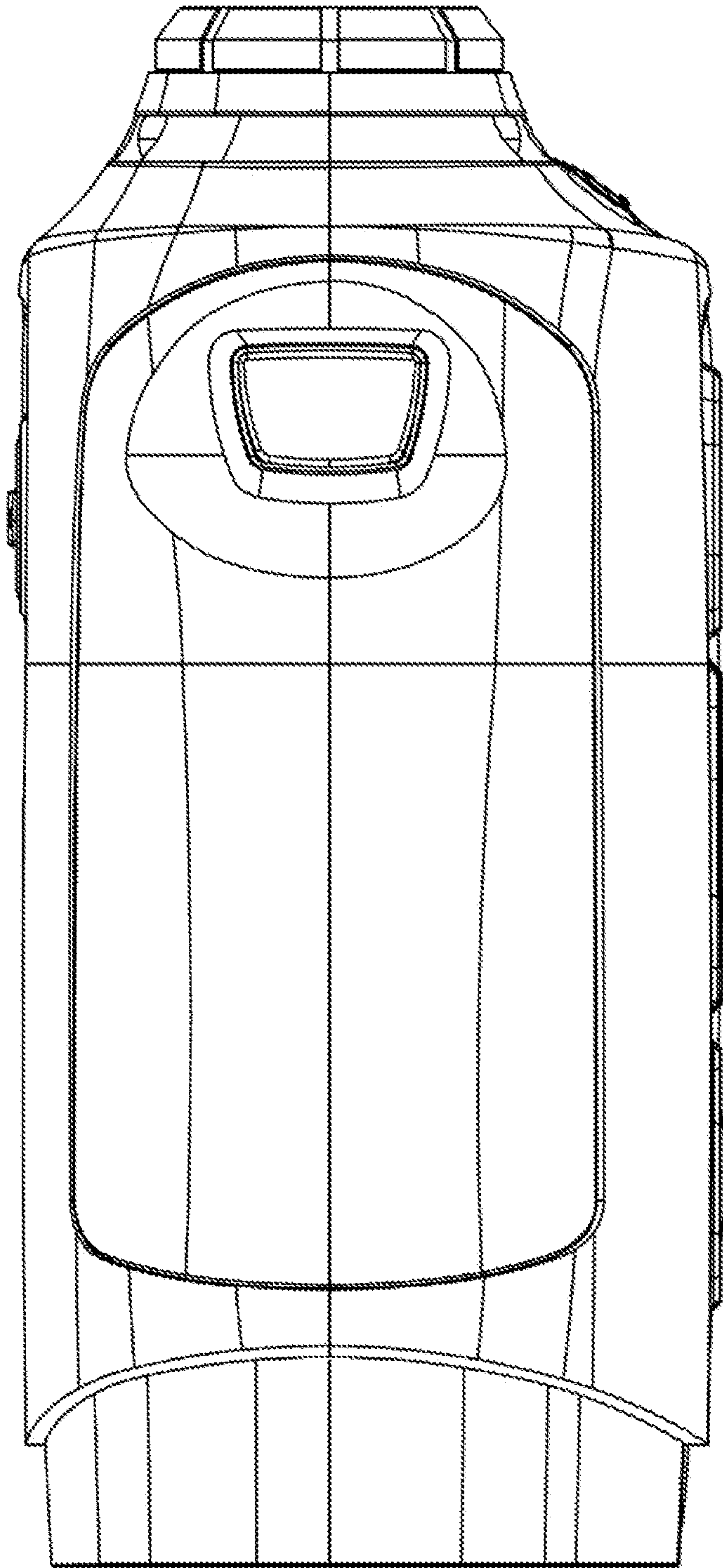


FIG. 3

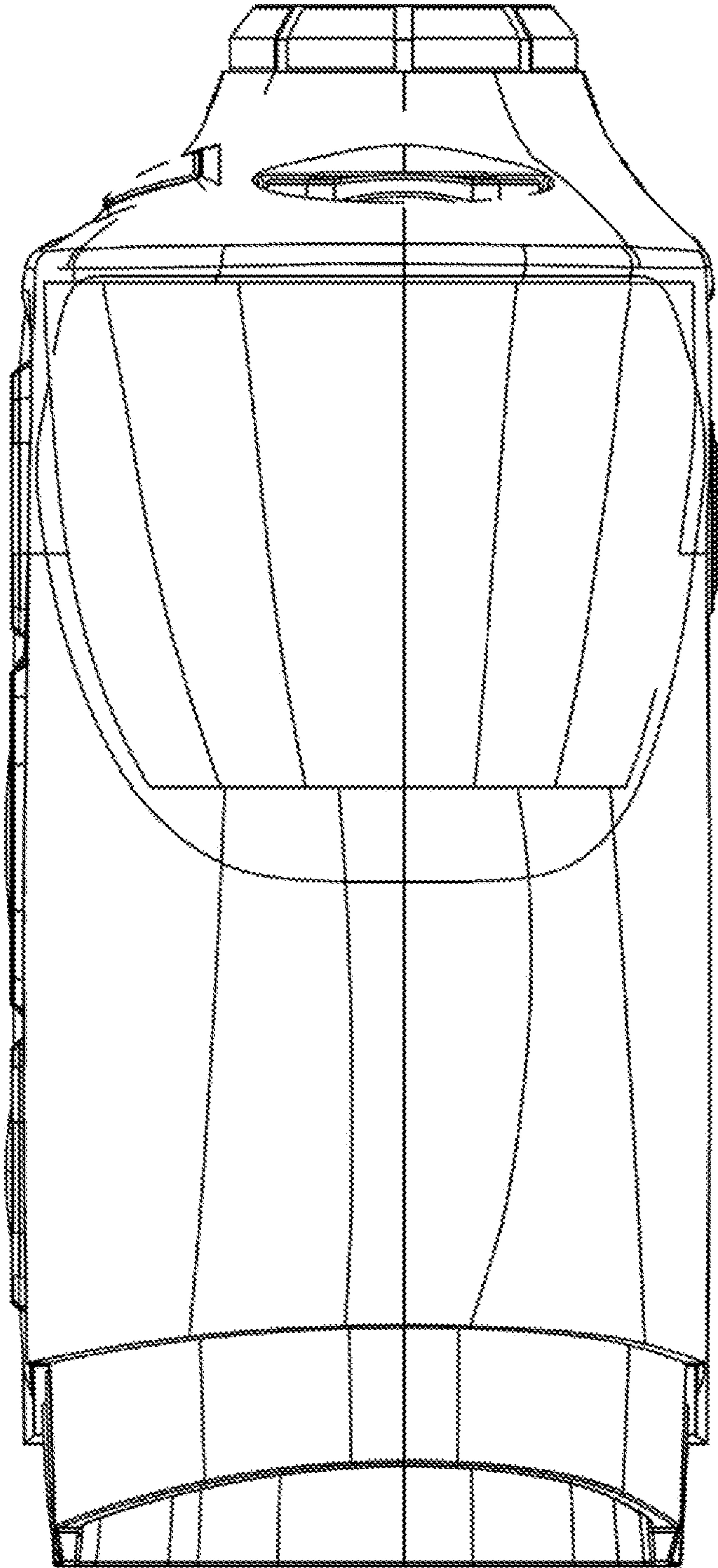


FIG. 4

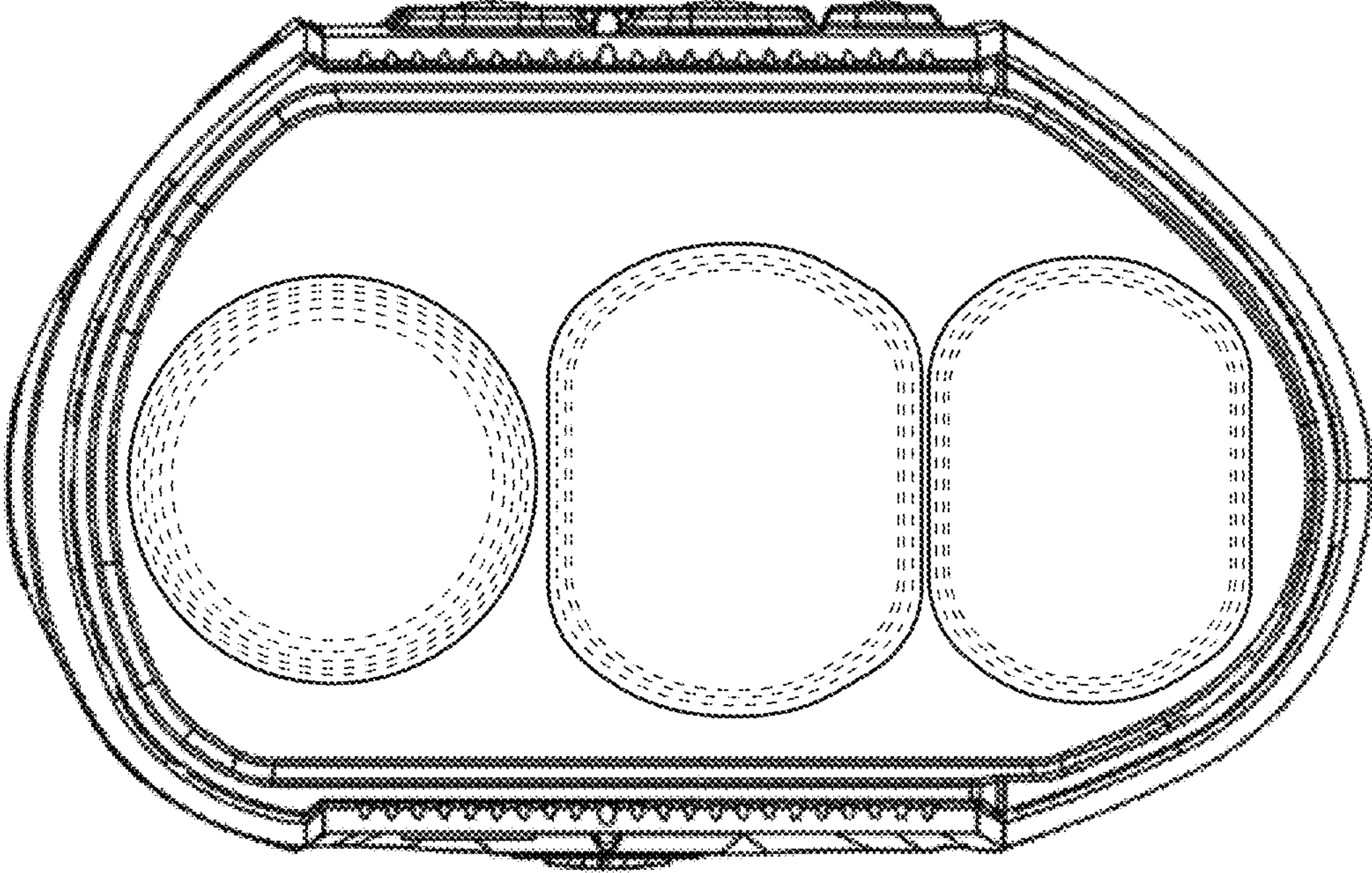


FIG. 5

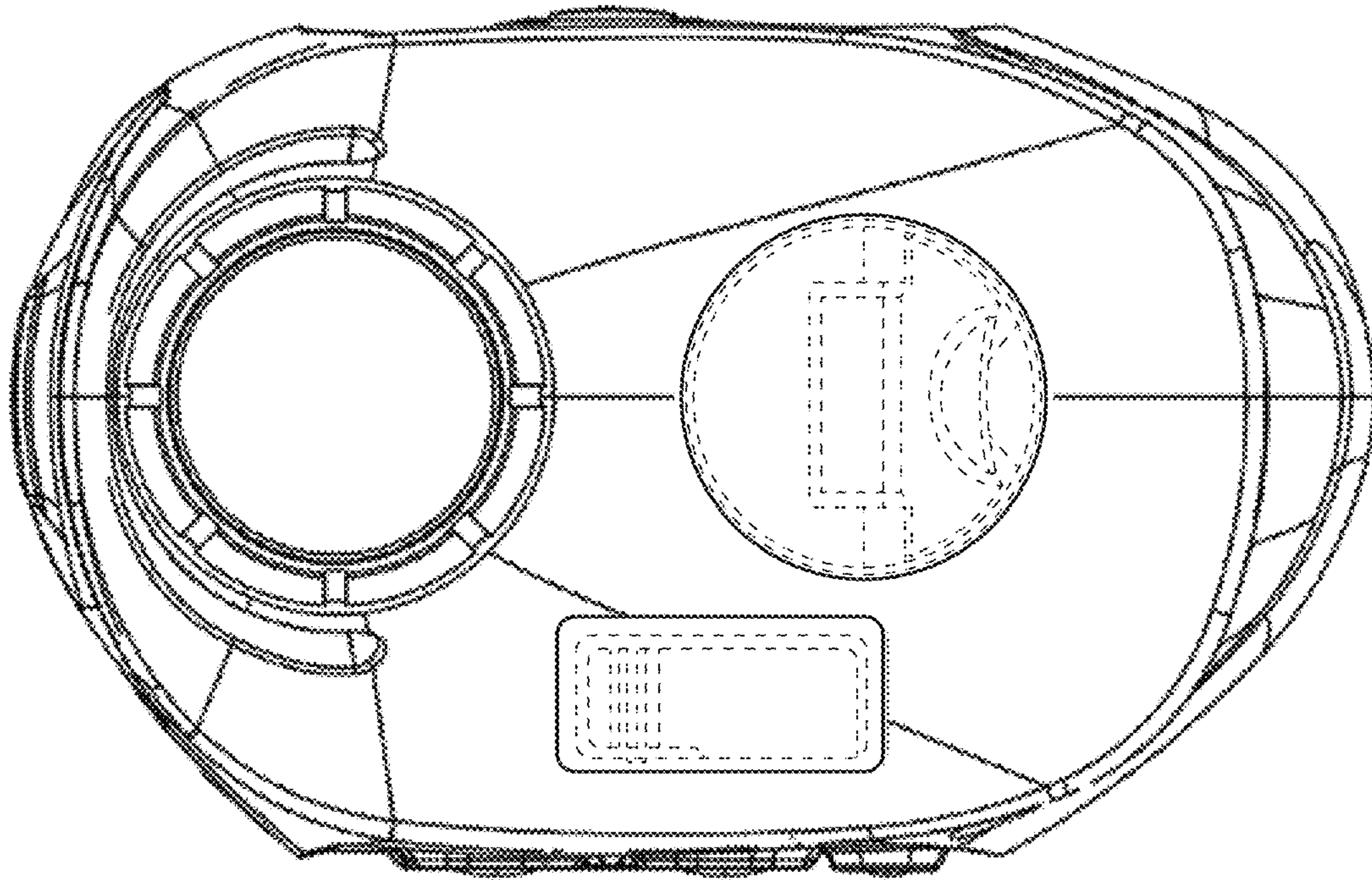


FIG. 6