



US00D895457S

(12) **United States Design Patent**
Zhang

(10) **Patent No.:** **US D895,457 S**

(45) **Date of Patent:** **** Sep. 8, 2020**

(54) **RANGEFINDER**

(71) Applicant: **Huaimian Zhang**, Fuzhou (CN)

(72) Inventor: **Huaimian Zhang**, Fuzhou (CN)

(**) Term: **15 Years**

(21) Appl. No.: **29/663,569**

(22) Filed: **Sep. 17, 2018**

(51) **LOC (12) Cl.** **10-04**

(52) **U.S. Cl.**

USPC **D10/70; D16/130**

(58) **Field of Classification Search**

USPC **D10/65, 70; D16/130**

CPC ... **G01C 3/00; G01C 3/02; G01C 3/04; G01C 3/06; G01C 3/08; G01C 3/085; G01C 3/10; G01C 3/12; G01C 3/16; G01C 3/18; G01C 3/20; G01C 3/22; G01C 3/24; G01C 3/26; G01C 3/28; G01C 3/30; G01C 3/32; G01S 7/4811; G01S 7/4813; G01S 7/4814; G01S 7/4816; G01S 7/486; G01S 7/4861; G01S 7/4863; G02B 23/00; G02B 23/14; G02B 23/16; F41G 1/00; F41G 1/46; F41G 1/473; F41G 3/06; F41G 3/065**

See application file for complete search history.

(56) **References Cited**

U.S. PATENT DOCUMENTS

D376,377 S * 12/1996 Palmer D16/130
D448,315 S * 9/2001 Ito D10/70
7,053,992 B2 * 5/2006 LaBelle G01C 3/08
356/5.01

D554,547 S * 11/2007 Lin D10/70
D570,234 S * 6/2008 Hui D10/70
D579,805 S * 11/2008 Chen D10/70
7,508,497 B2 * 3/2009 LaBelle G01C 3/08
356/5.01
D611,848 S * 3/2010 Liu G01C 3/08
D10/70
7,738,082 B1 * 6/2010 Peters G01C 3/22
356/4.01
D823,147 S * 7/2018 Bainter D10/70
D842,723 S * 3/2019 Nyhart D10/70
D845,795 S * 4/2019 Kim D10/70
D850,947 S * 6/2019 Vermillion D10/70
D852,311 S * 6/2019 Honda D22/109

* cited by examiner

Primary Examiner — Antoine Duval Davis

(74) *Attorney, Agent, or Firm* — Steven A. Nielsen;
NielsenPatents.com

(57) **CLAIM**

The ornamental design for a rangefinder, as shown and described.

DESCRIPTION

FIG. 1 is a top and side perspective view of a rangefinder showing a new design;

FIG. 2 is a left side view with the right side being a mirror image thereof;

FIG. 3 is a front view thereof;

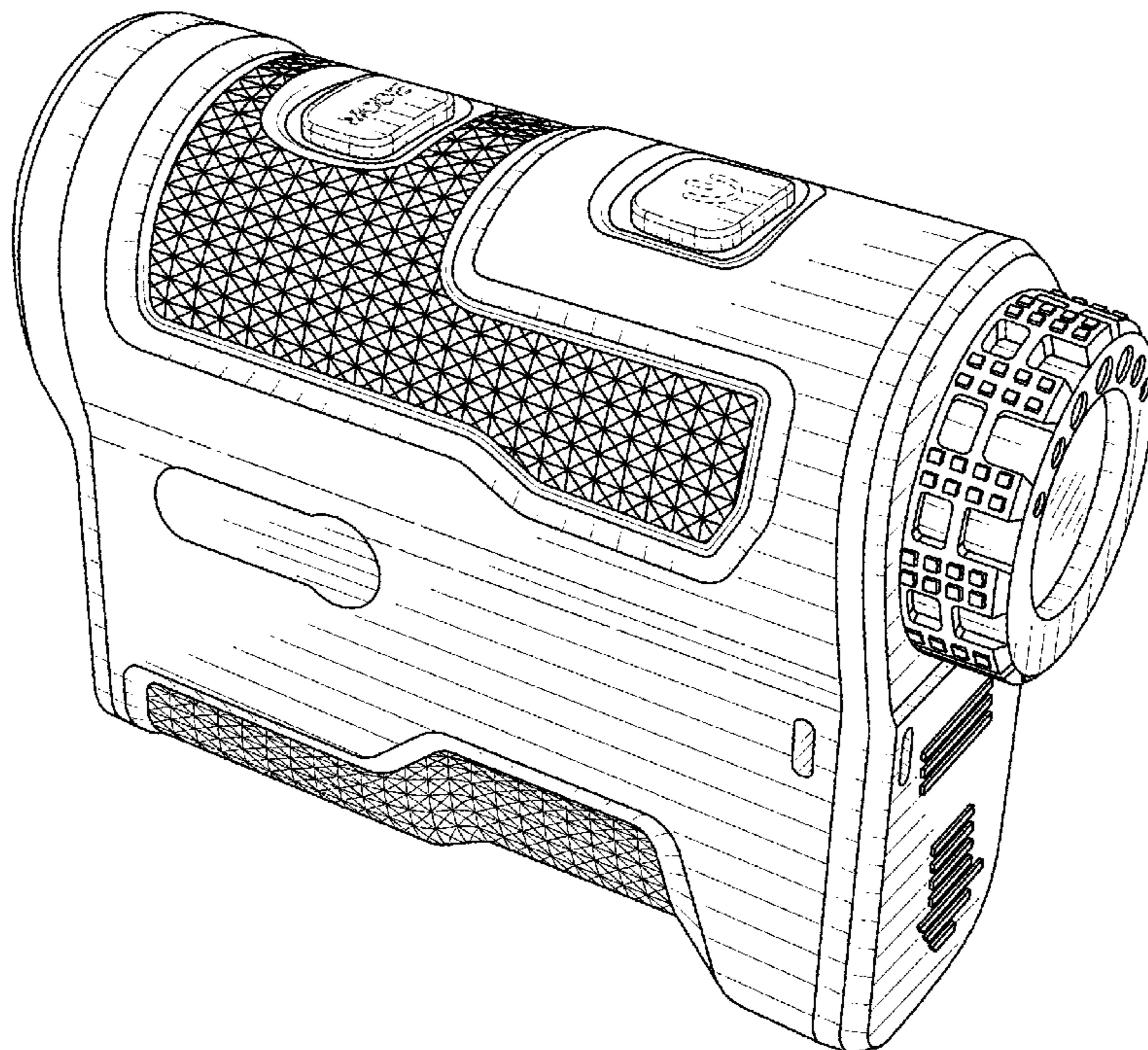
FIG. 4 is a back view thereof;

FIG. 5 is a top view thereof; and,

FIG. 6 is a bottom view thereof.

The dashed lines of FIGS. 1, 2, 3 and 5 depict environmental conditions only and form no part of the claimed design.

1 Claim, 4 Drawing Sheets



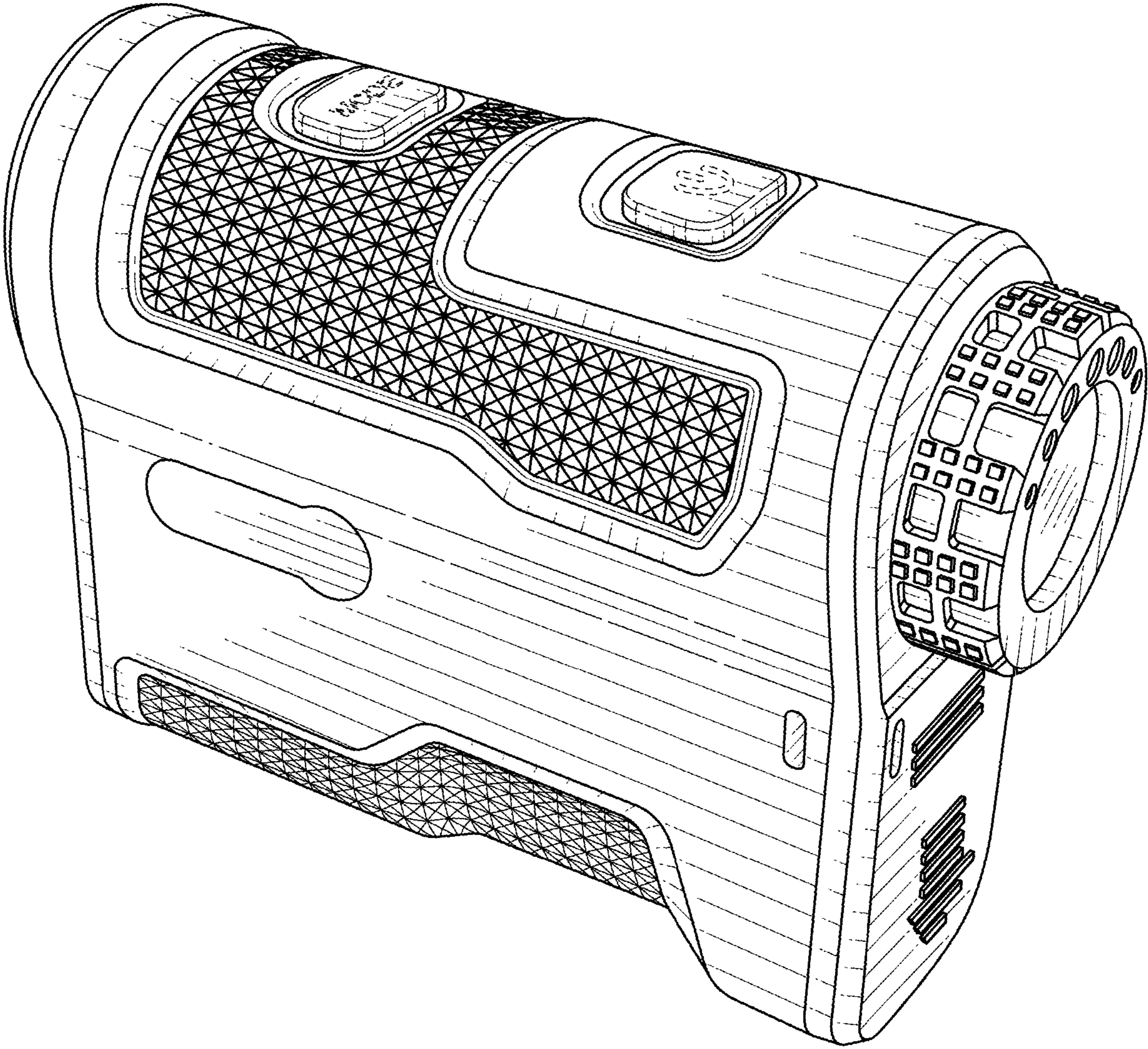


FIG. 1

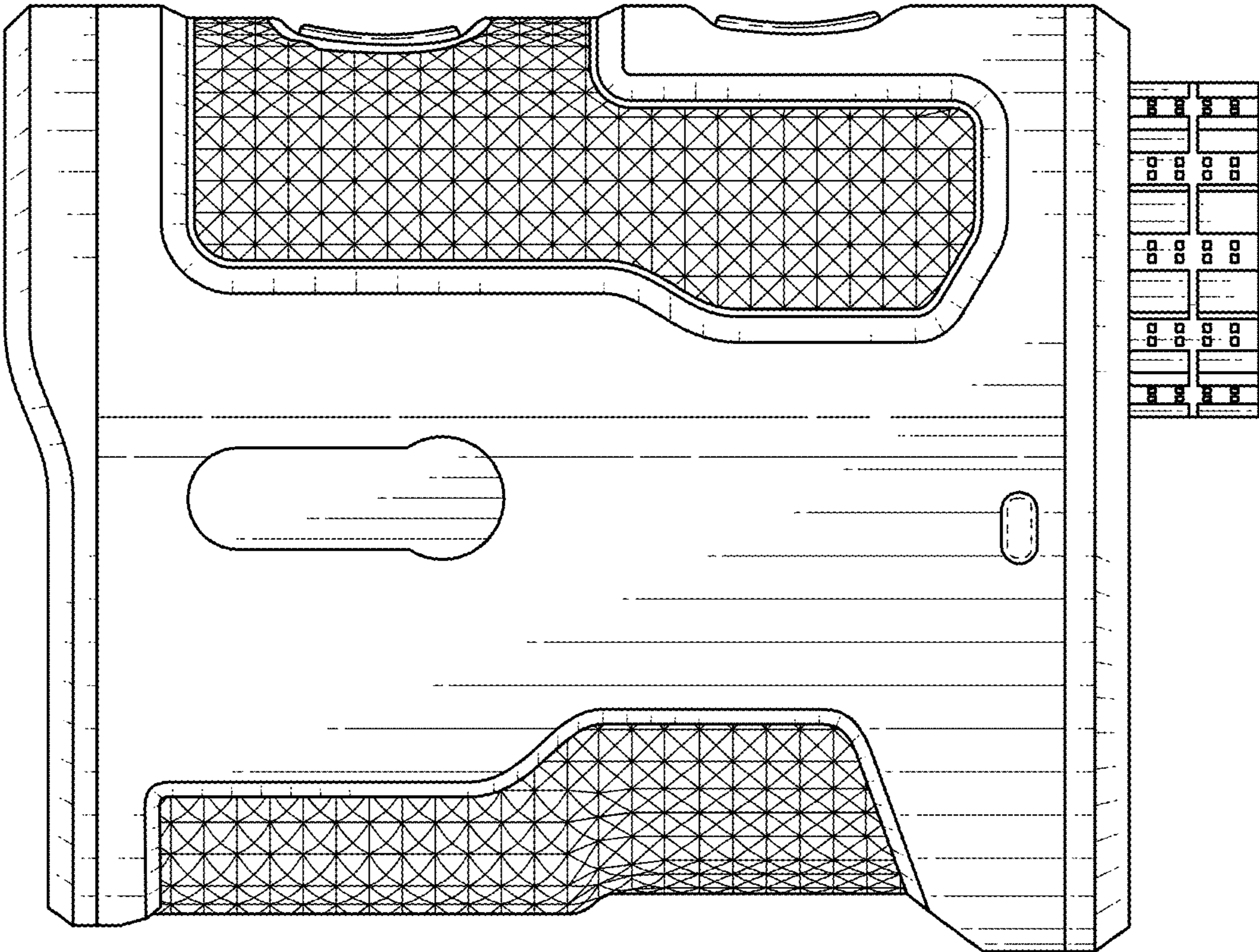


FIG. 2

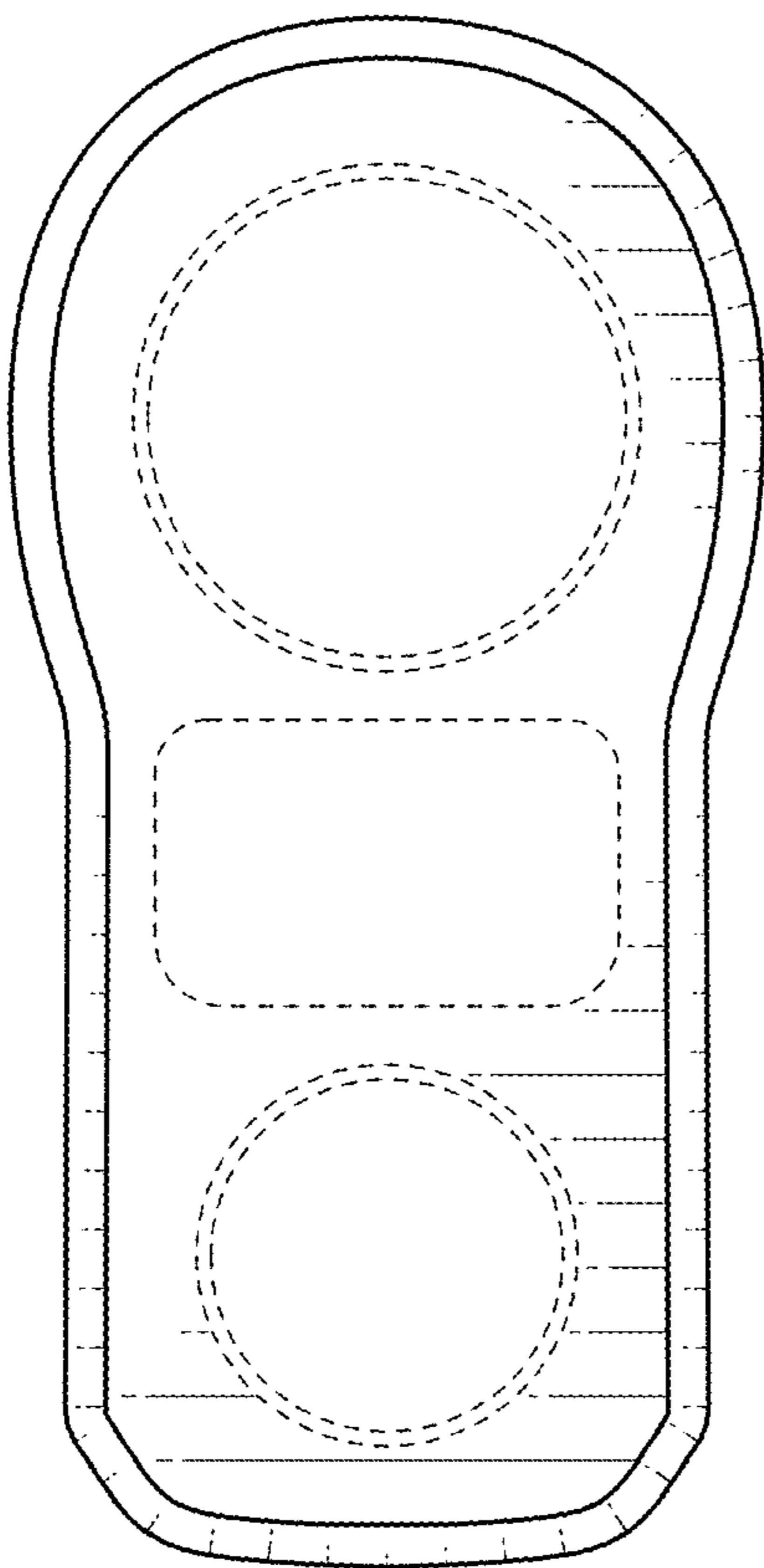


FIG. 3

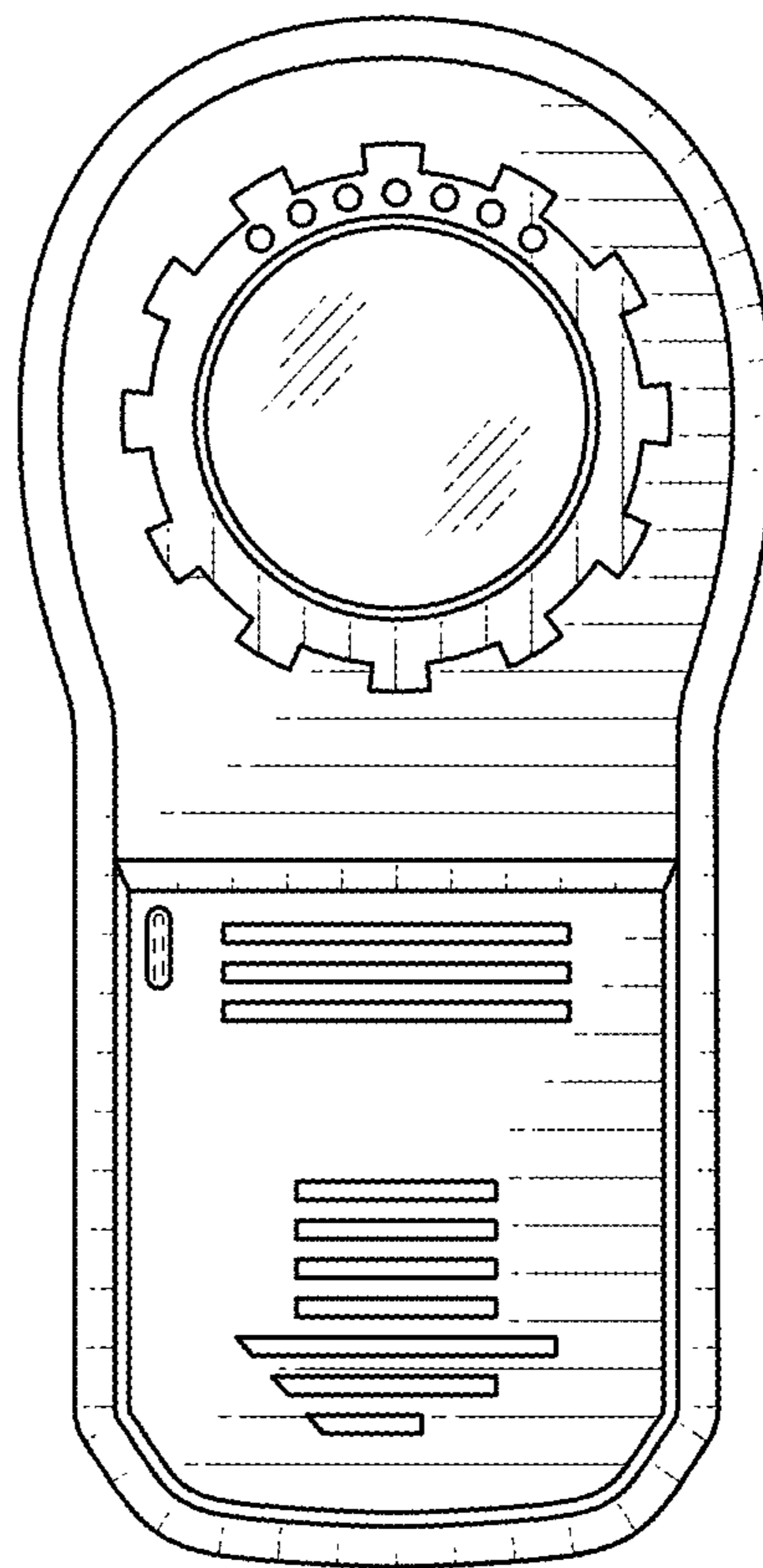


FIG. 4

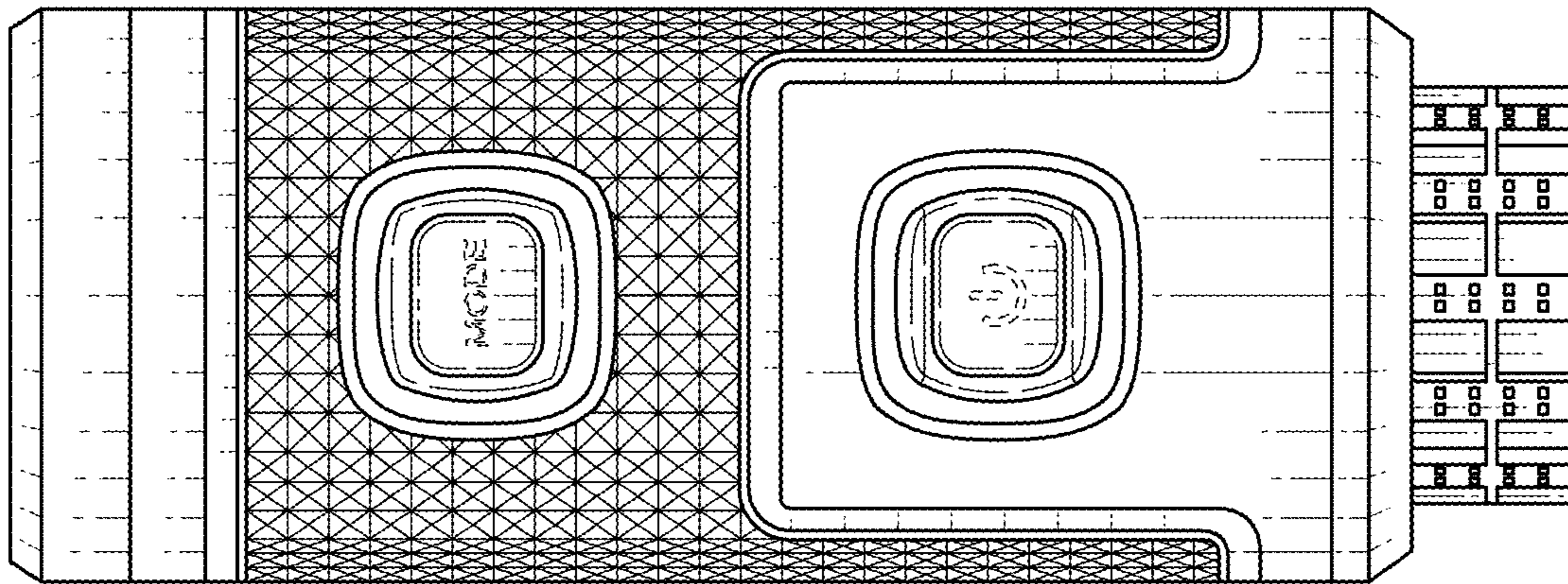


FIG. 5

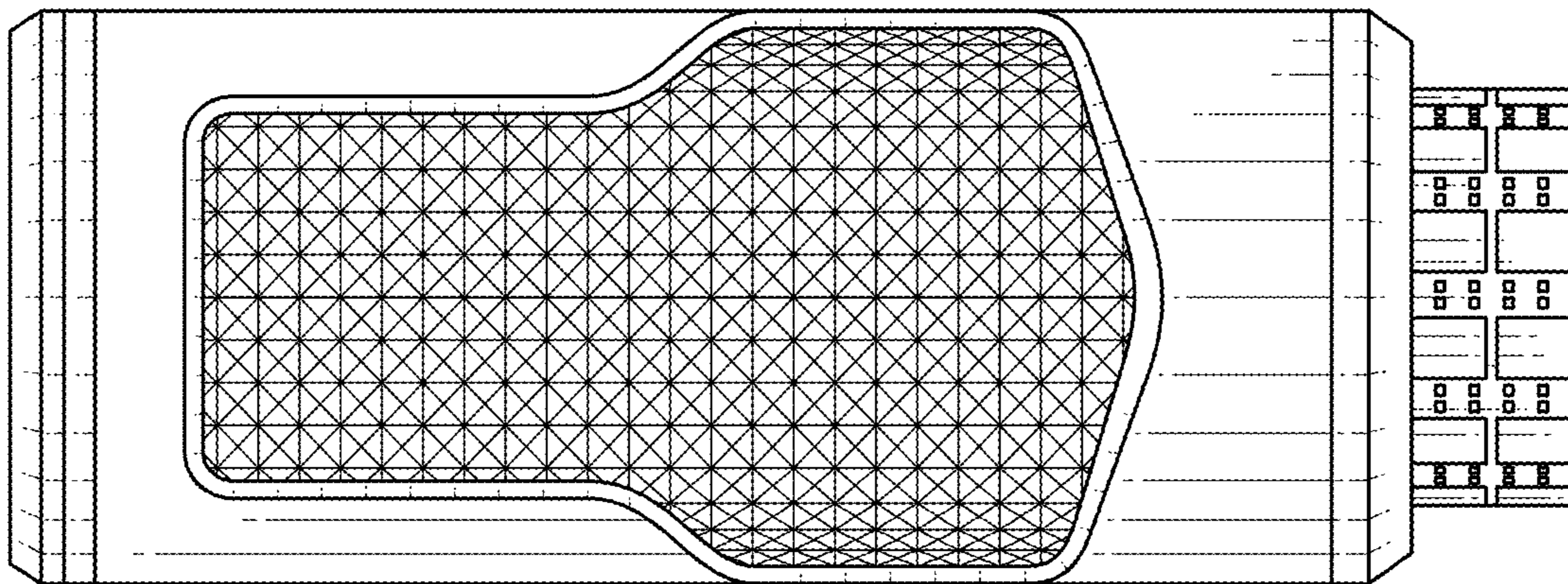


FIG. 6