



US00D895456S

(12) **United States Design Patent**  
**Andersson**

(10) **Patent No.:** **US D895,456 S**  
(45) **Date of Patent:** **\*\* Sep. 8, 2020**

(54) **SENSOR BOX**

FOREIGN PATENT DOCUMENTS

(71) Applicant: **SIEMENS**  
**AKTIENGESELLSCHAFT, München**  
(DE)

JP 1577202 S 5/2017

(72) Inventor: **Jan Andersson, Erlangen (DE)**

OTHER PUBLICATIONS

(73) Assignee: **SIEMENS**  
**AKTIENGESELLSCHAFT, Munich**  
(DE)

Incom Company Limited, HA12001829/Industrial Equipment News 2000.  
Incom Company Limited, HA16022503/Industrial Equipment News 2004.  
Kistler et al; HC16036027/Piezoelectric sensors (Quartz based).

(\*\*) Term: **15 Years**

\* cited by examiner

(21) Appl. No.: **29/663,416**

*Primary Examiner* — Antoine Duval Davis

(22) Filed: **Sep. 14, 2018**

(74) *Attorney, Agent, or Firm* — Henry M. Feiereisen LLC

(30) **Foreign Application Priority Data**

Mar. 16, 2018 (EM) ..... 004761807

(51) **LOC (12) Cl.** ..... **10-04**

(57) **CLAIM**

(52) **U.S. Cl.**  
USPC ..... **D10/70**

The ornamental design for a sensor box, as shown and described.

(58) **Field of Classification Search**

USPC ..... D10/46, 70  
CPC ..... H02K 11/215; G01D 5/145; G01D 3/036;  
G01D 5/2454; G01D 21/02; G01D 21/00;  
G01D 3/08; G01P 3/48; G01P 21/02;  
G01P 3/489; G01P 3/481; G01R 1/00;  
G01R 33/09; G01R 33/0041; G01R  
33/0035; H02P 6/16; H02P 6/17

See application file for complete search history.

**DESCRIPTION**

FIG. 1 is a front view of a sensor box, showing my new design;  
FIG. 2 is a rear view thereof;  
FIG. 3 is a top view thereof;  
FIG. 4 is a bottom view thereof;  
FIG. 5 is a right side view thereof;  
FIG. 6 is a left side view thereof; and,  
FIG. 7 is a top, front and left side perspective view thereof.

(56) **References Cited**

**U.S. PATENT DOCUMENTS**

8,896,290 B2 \* 11/2014 Hammond ..... G01R 33/07  
324/117 H

**1 Claim, 7 Drawing Sheets**

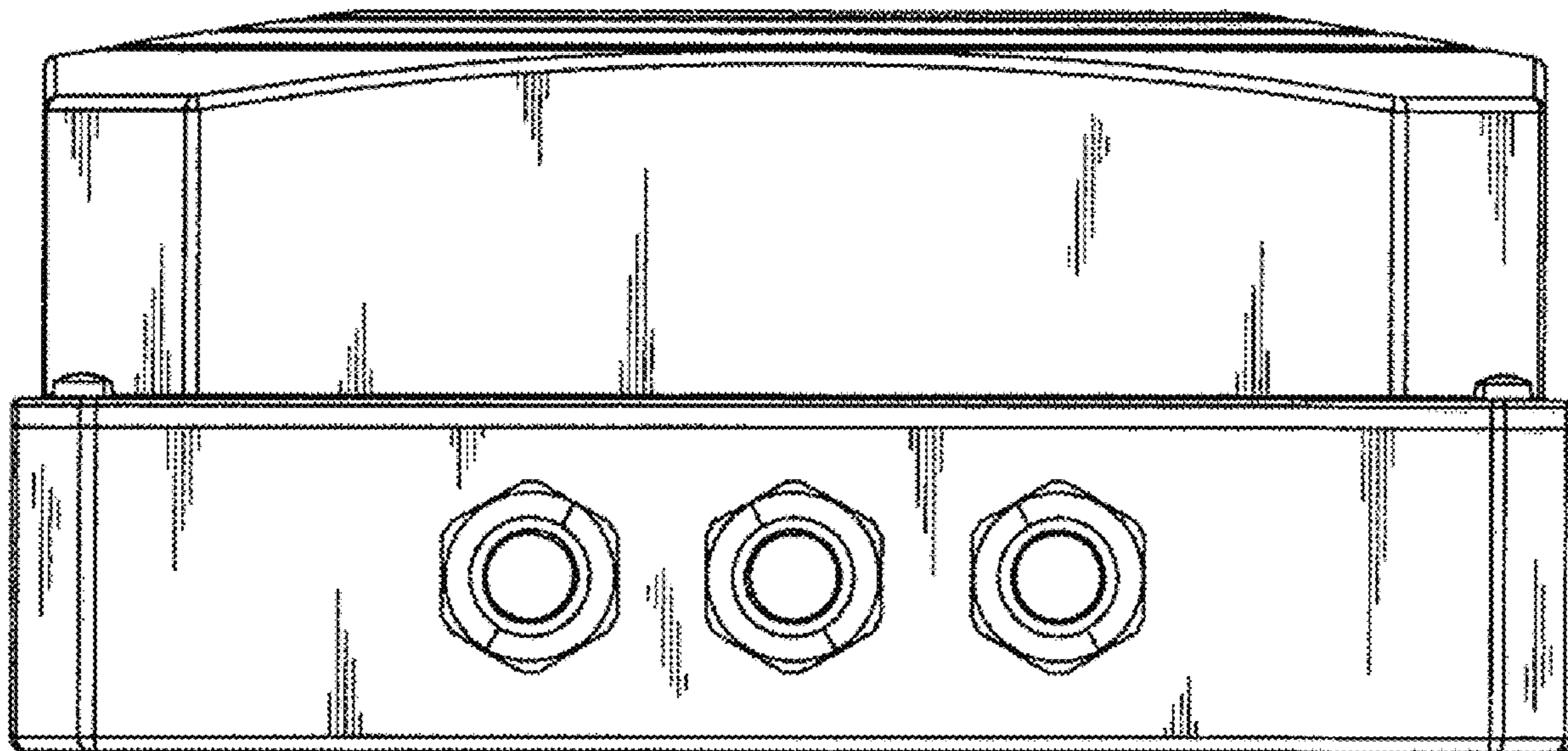


FIG 1

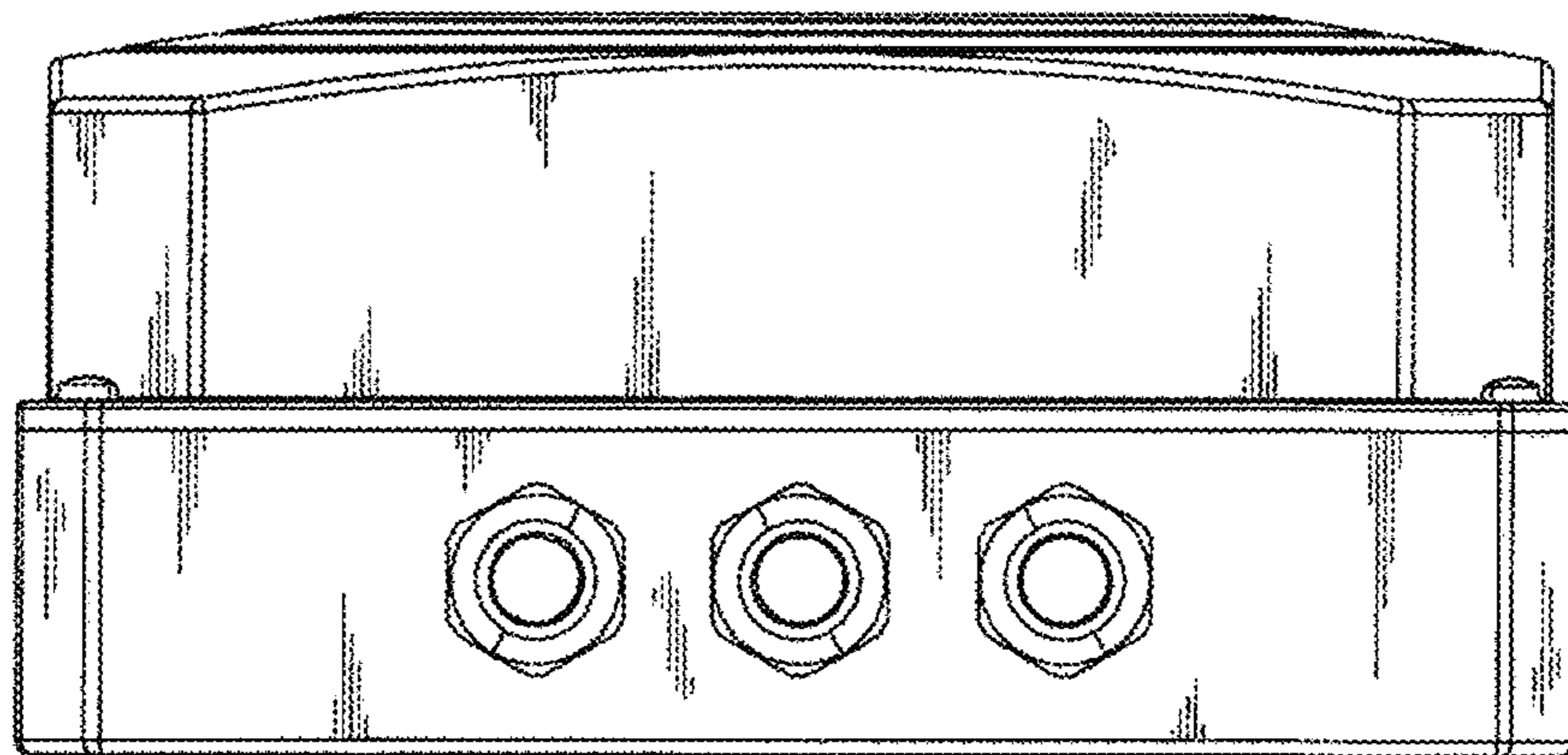


FIG 2

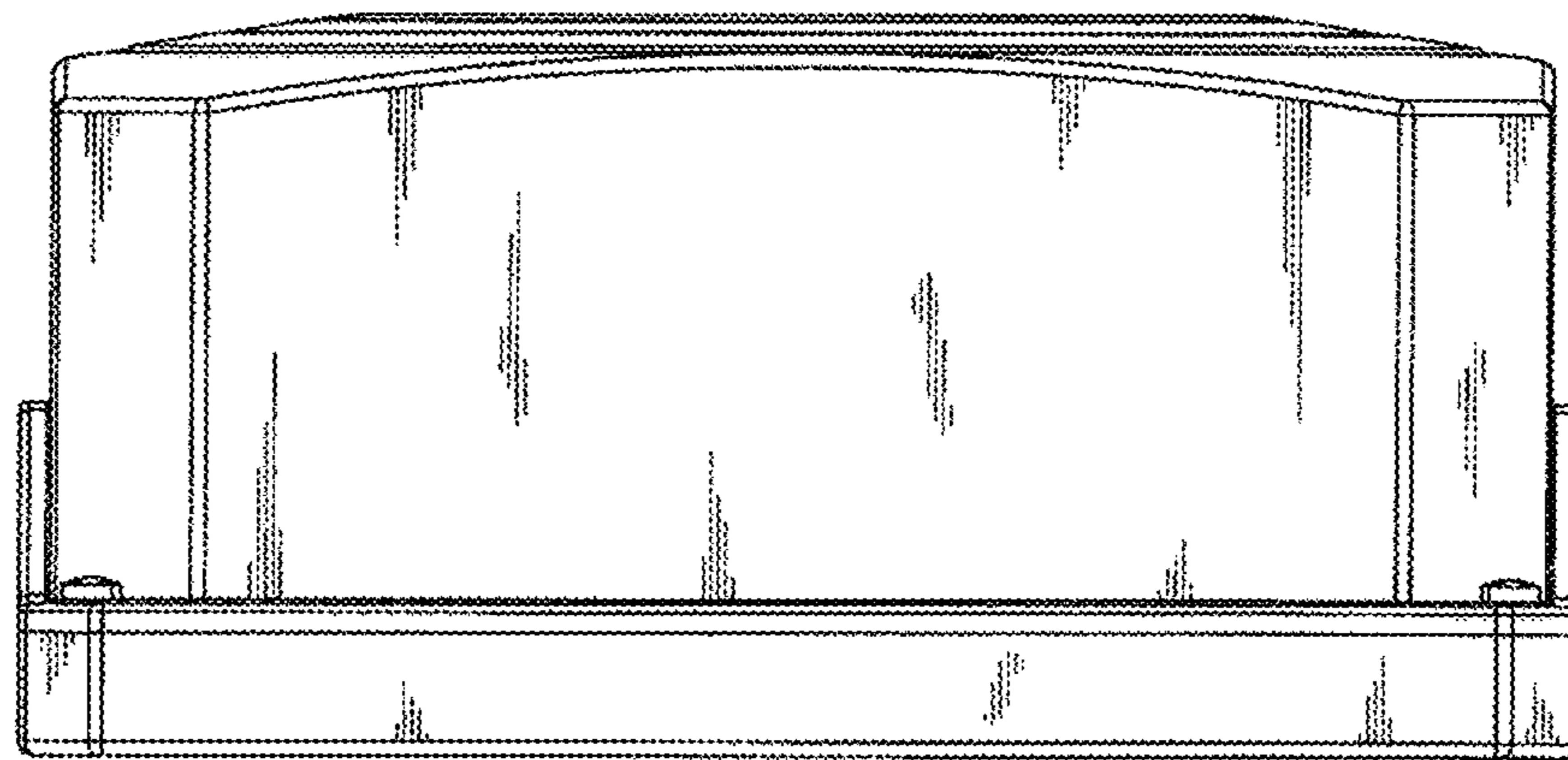




FIG 3

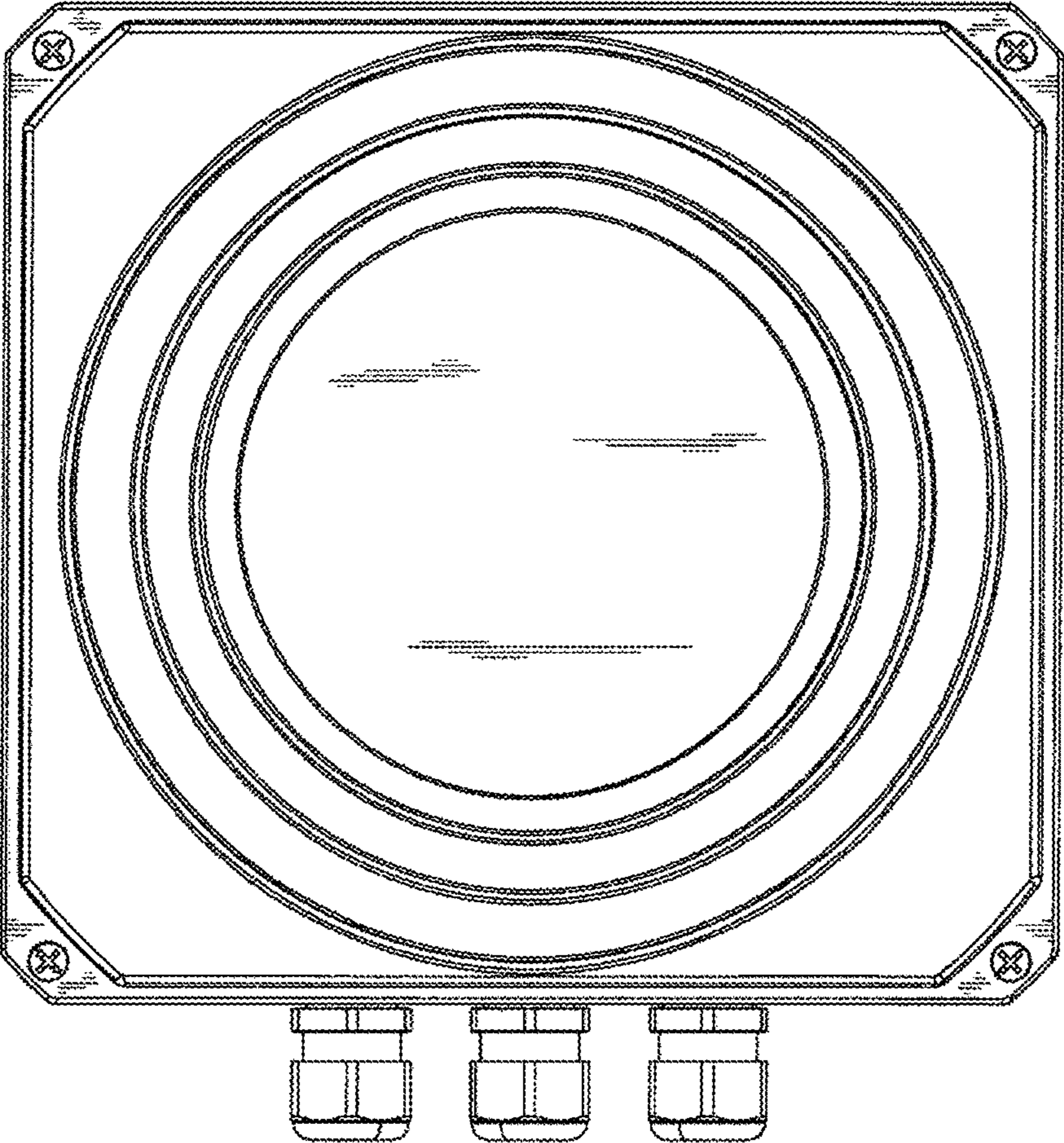


FIG 4

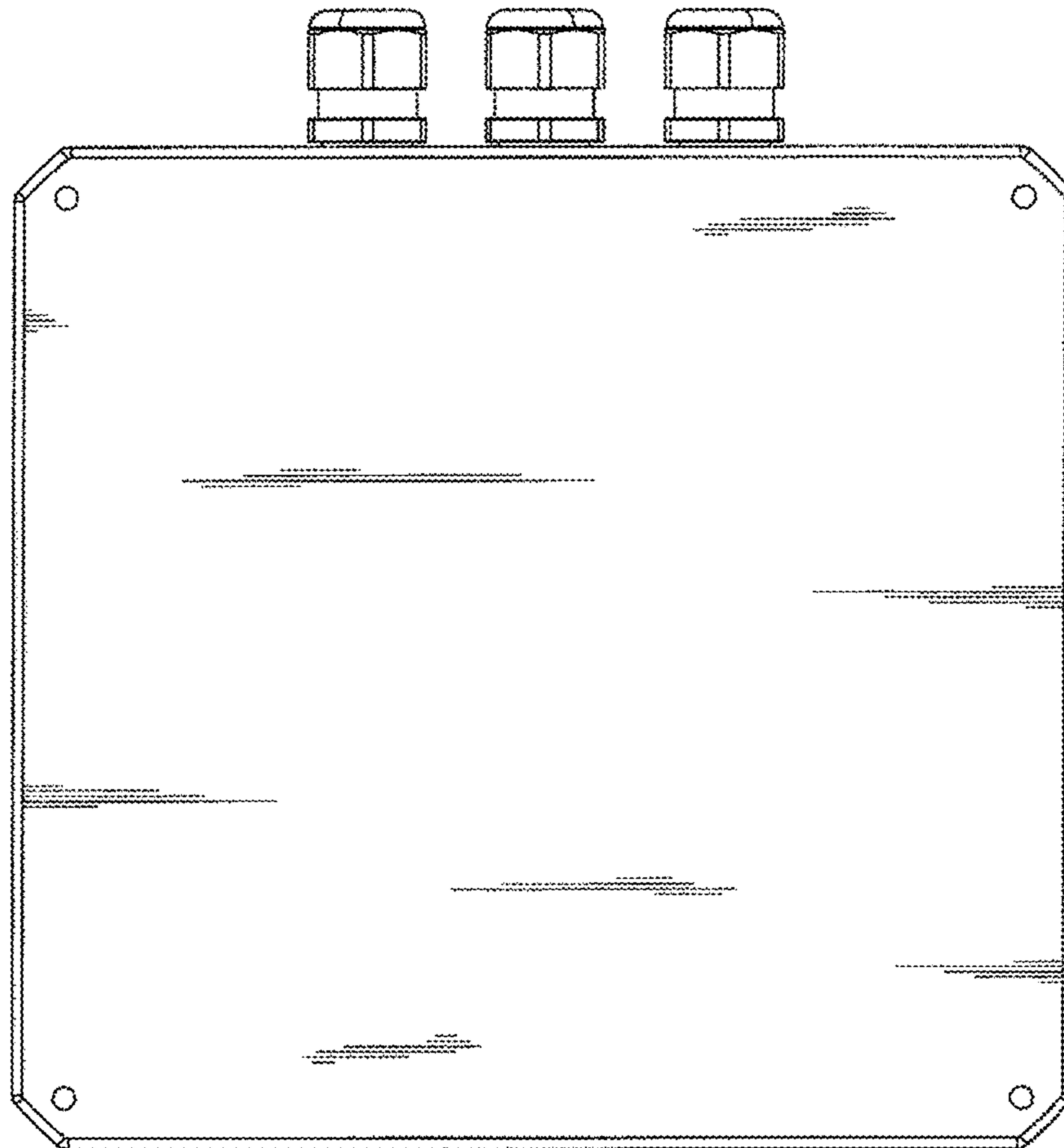


FIG 5

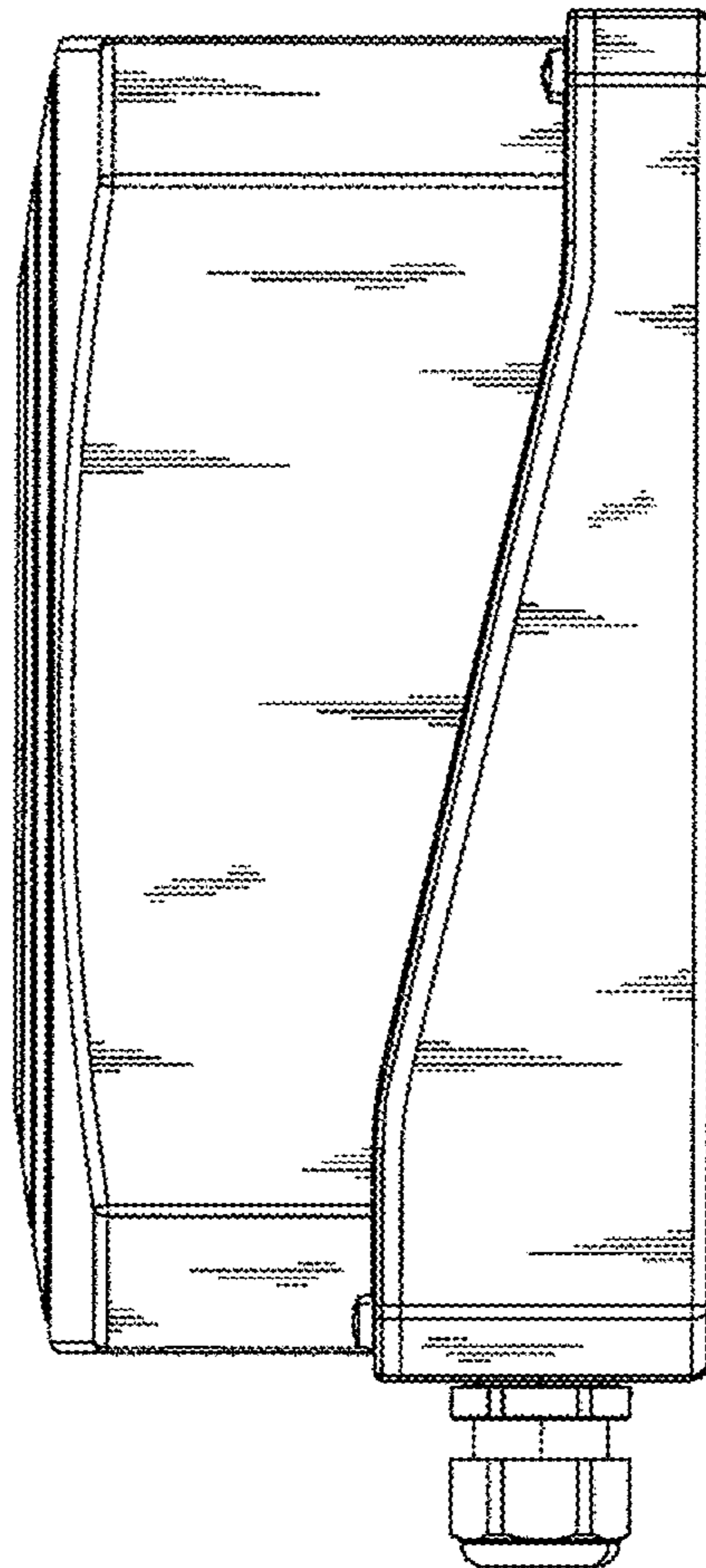


FIG 6

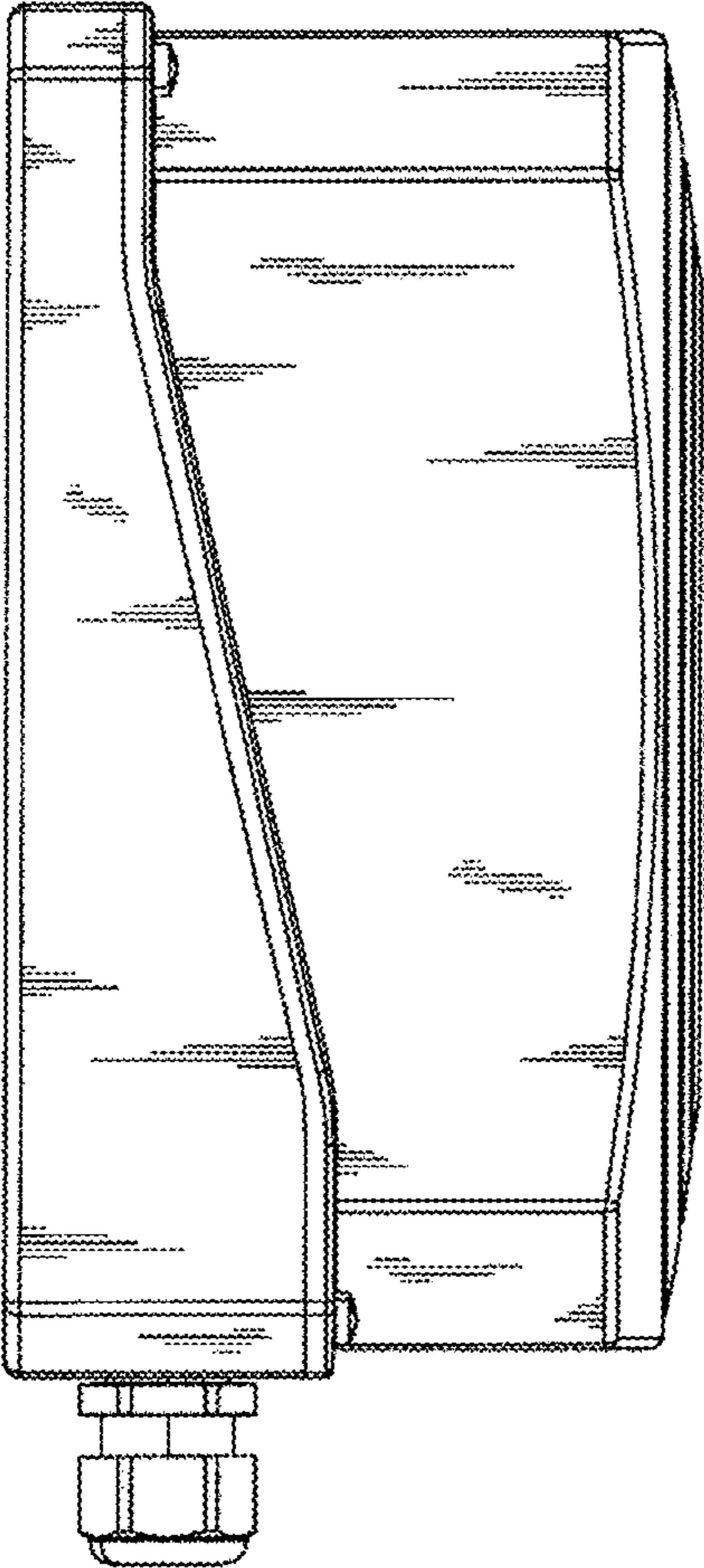


FIG 7

