



US00D895455S

(12) **United States Design Patent**
Hammond

(10) **Patent No.:** **US D895,455 S**

(45) **Date of Patent:** **** Sep. 8, 2020**

(54) **HAND-HELD PICTURE HANGING AND LEVELING TOOL**

(71) Applicant: **Shari Michelle Hammond**, Round Rock, TX (US)

(72) Inventor: **Shari Michelle Hammond**, Round Rock, TX (US)

(73) Assignee: **Shari Hammond**, Georgetown, TX (US)

(**) Term: **15 Years**

(21) Appl. No.: **29/681,680**

(22) Filed: **Feb. 27, 2019**

(51) **LOC (12) Cl.** **10-04**

(52) **U.S. Cl.**
USPC **D10/69**

(58) **Field of Classification Search**
USPC D10/65, 69
CPC G01C 9/26; G01C 9/28
See application file for complete search history.

(56) **References Cited**

U.S. PATENT DOCUMENTS

7,171,755 B1 * 2/2007 Arent A47G 1/16
33/194
10,422,638 B2 * 9/2019 Burge G01C 9/28

* cited by examiner

Primary Examiner — Antoine Duval Davis

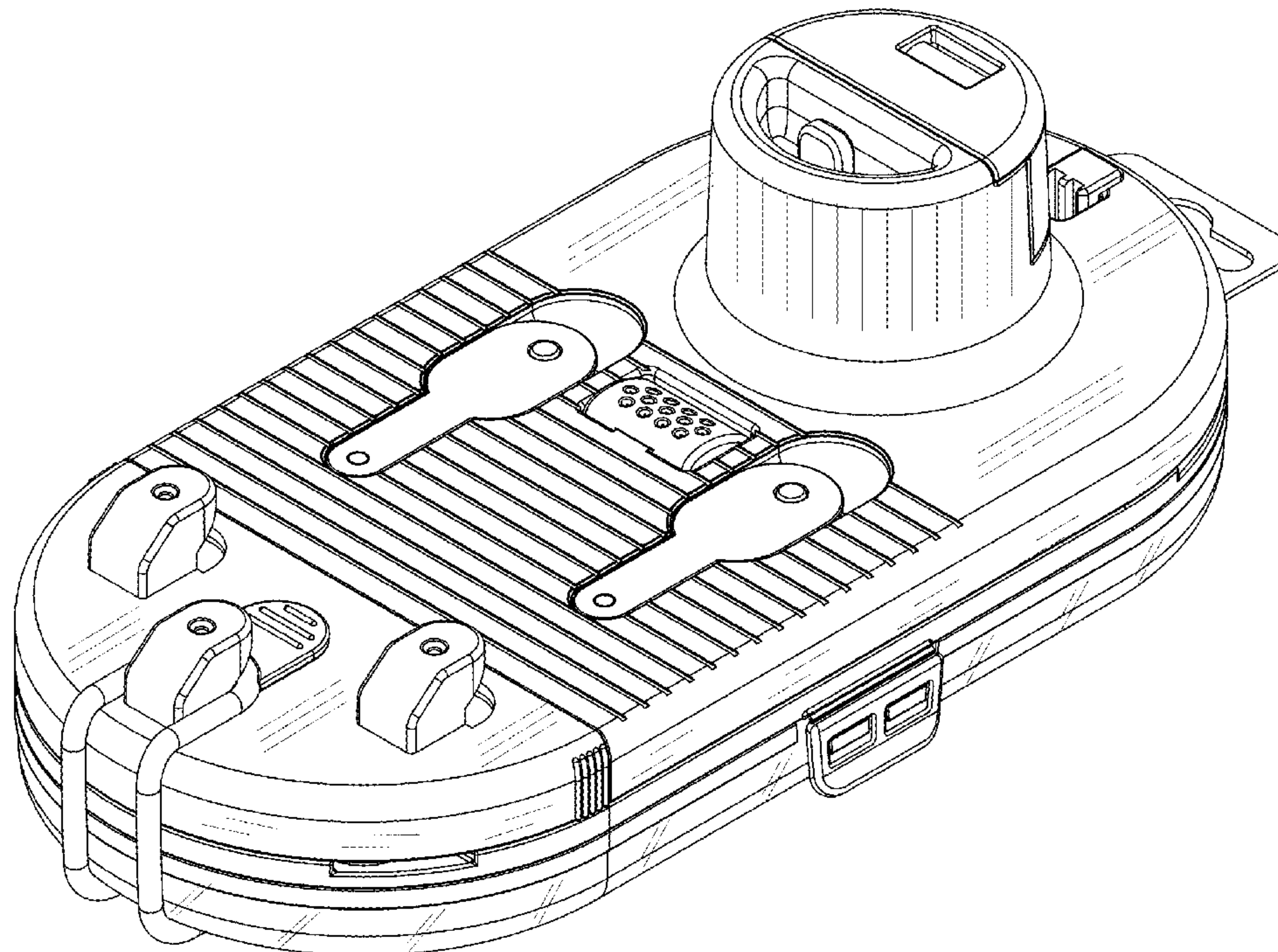
(57) **CLAIM**

The ornamental design for a hand-held picture hanging and leveling tool, as shown.

DESCRIPTION

FIG. 1 is an isometric view of the picture hanging tool;
FIG. 2 is a straight-on, front view thereof;
FIG. 3 is a straight-on, back view thereof;
FIG. 4 is a top view thereof;
FIG. 5 is a bottom view thereof;
FIG. 6 is a left-side view thereof; and,
FIG. 7 is a right-side view thereof.

1 Claim, 5 Drawing Sheets



ISOMETRIC VIEW

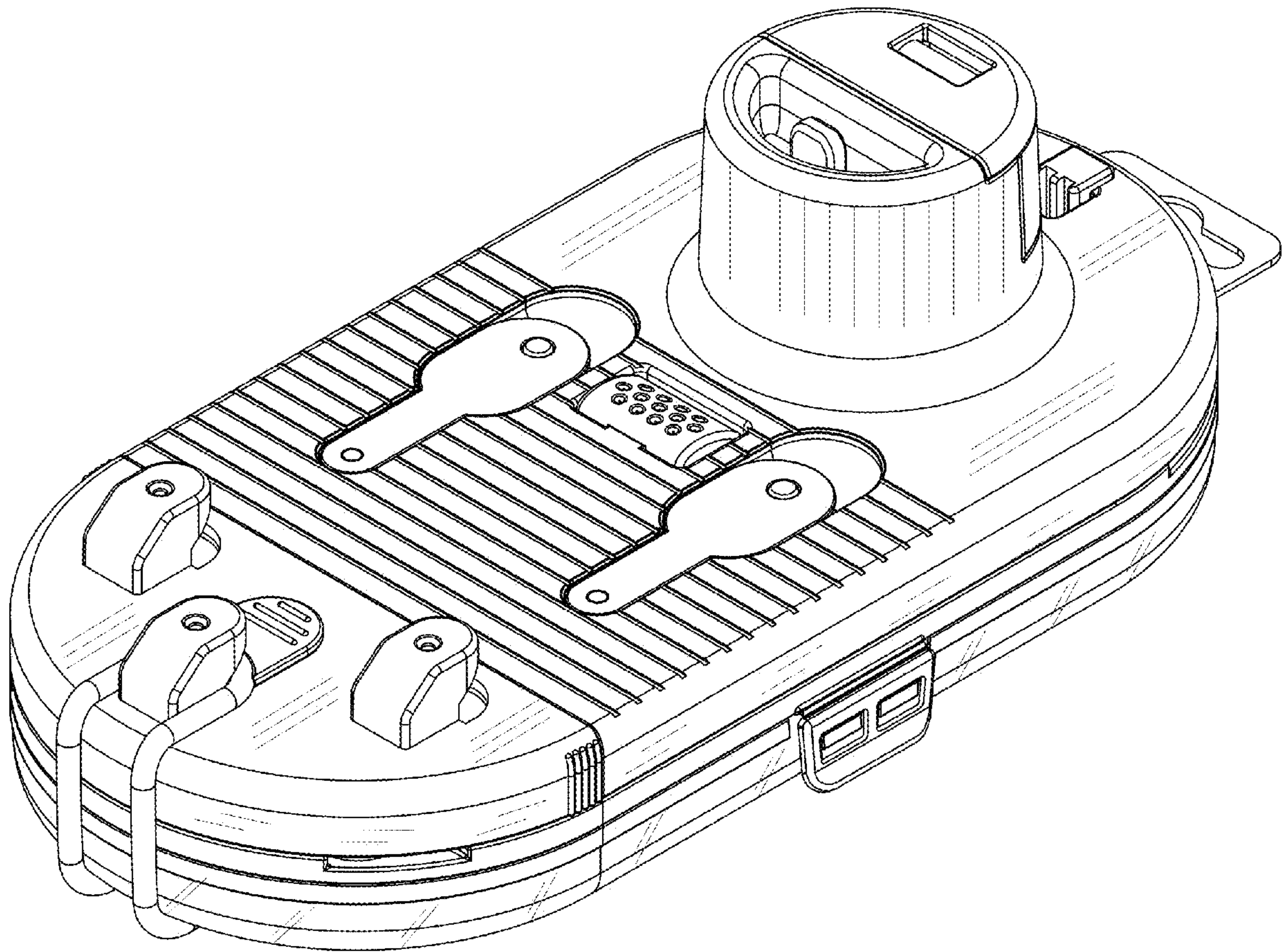


FIG. 1

ISOMETRIC VIEW

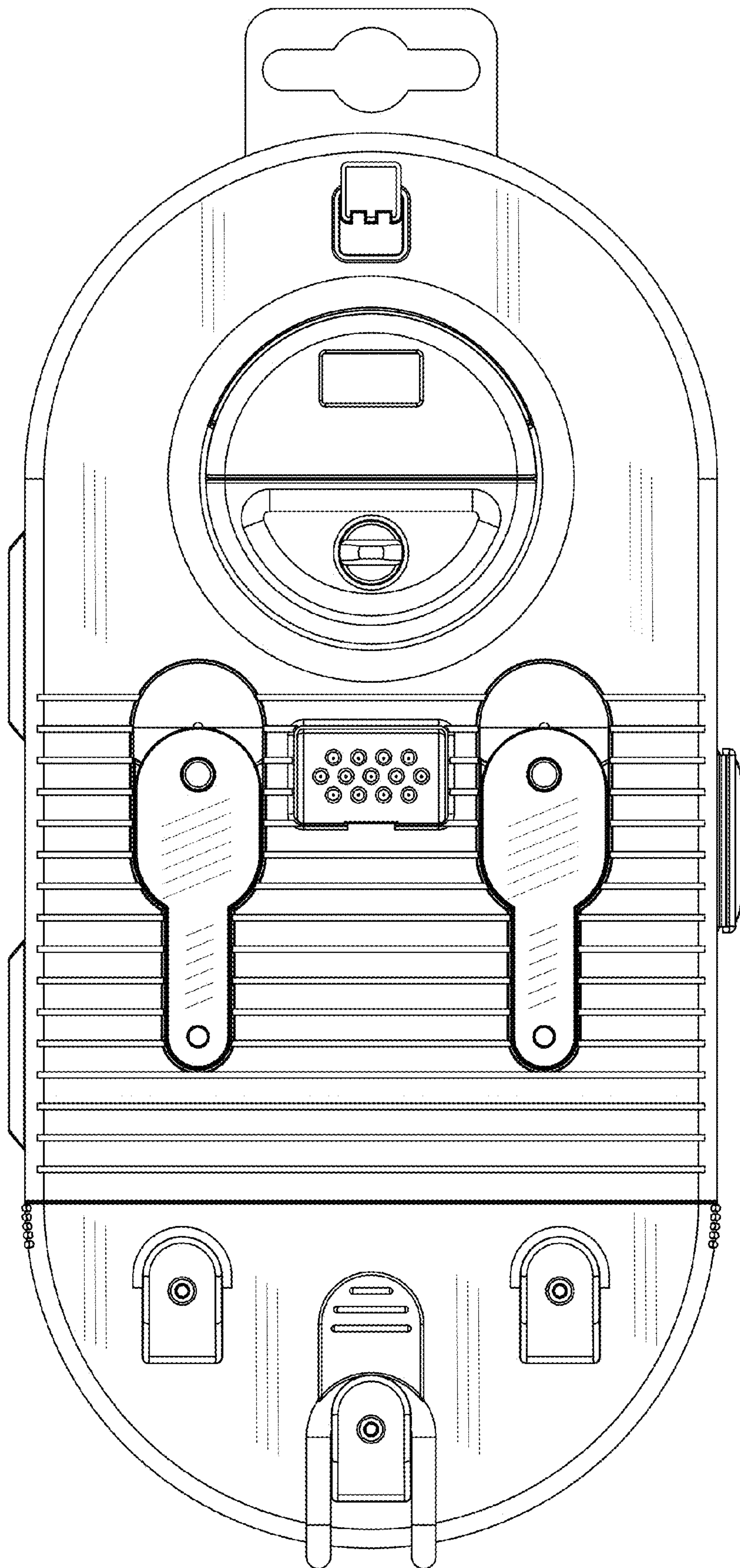


FIG. 2

FRONT VIEW

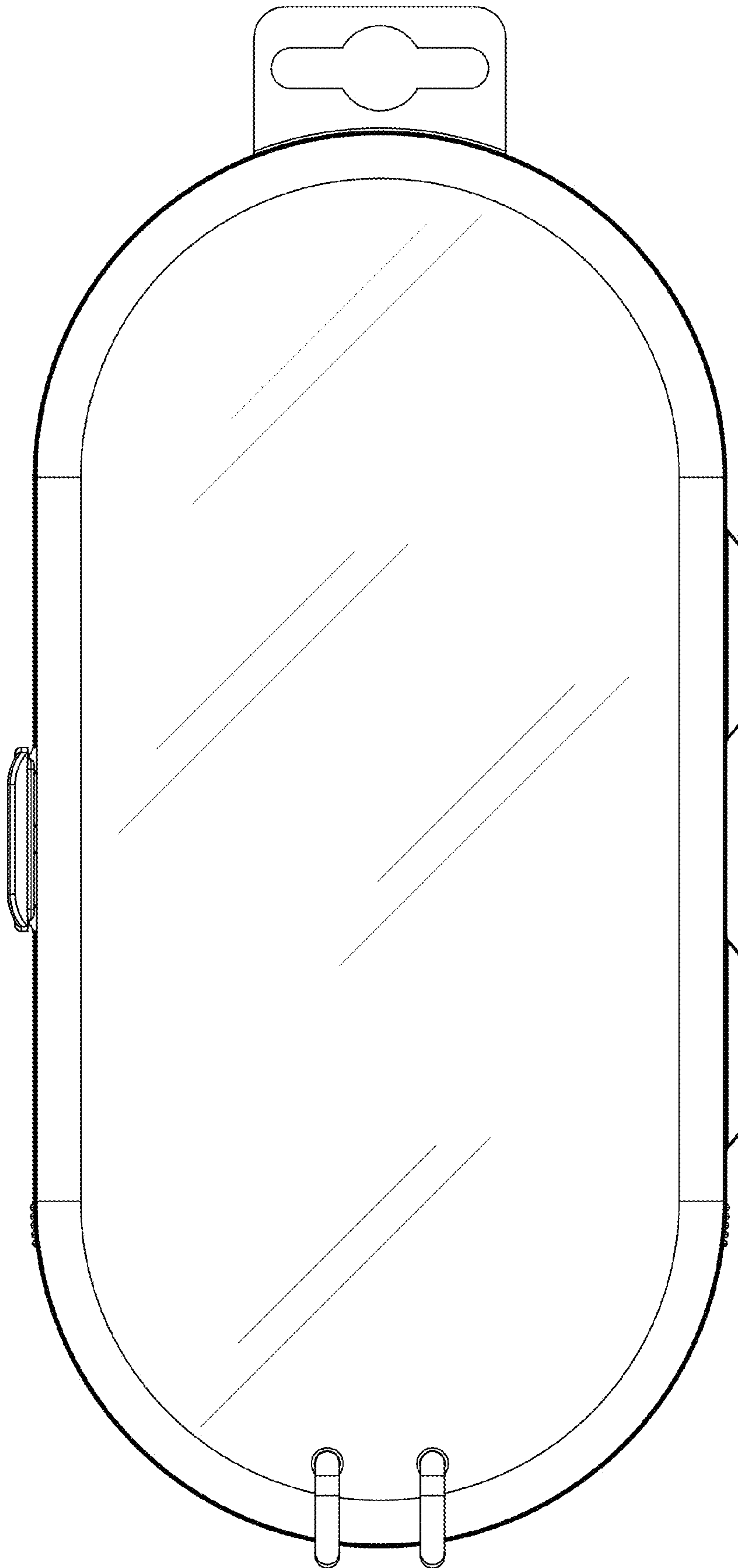


FIG. 3

BACK VIEW

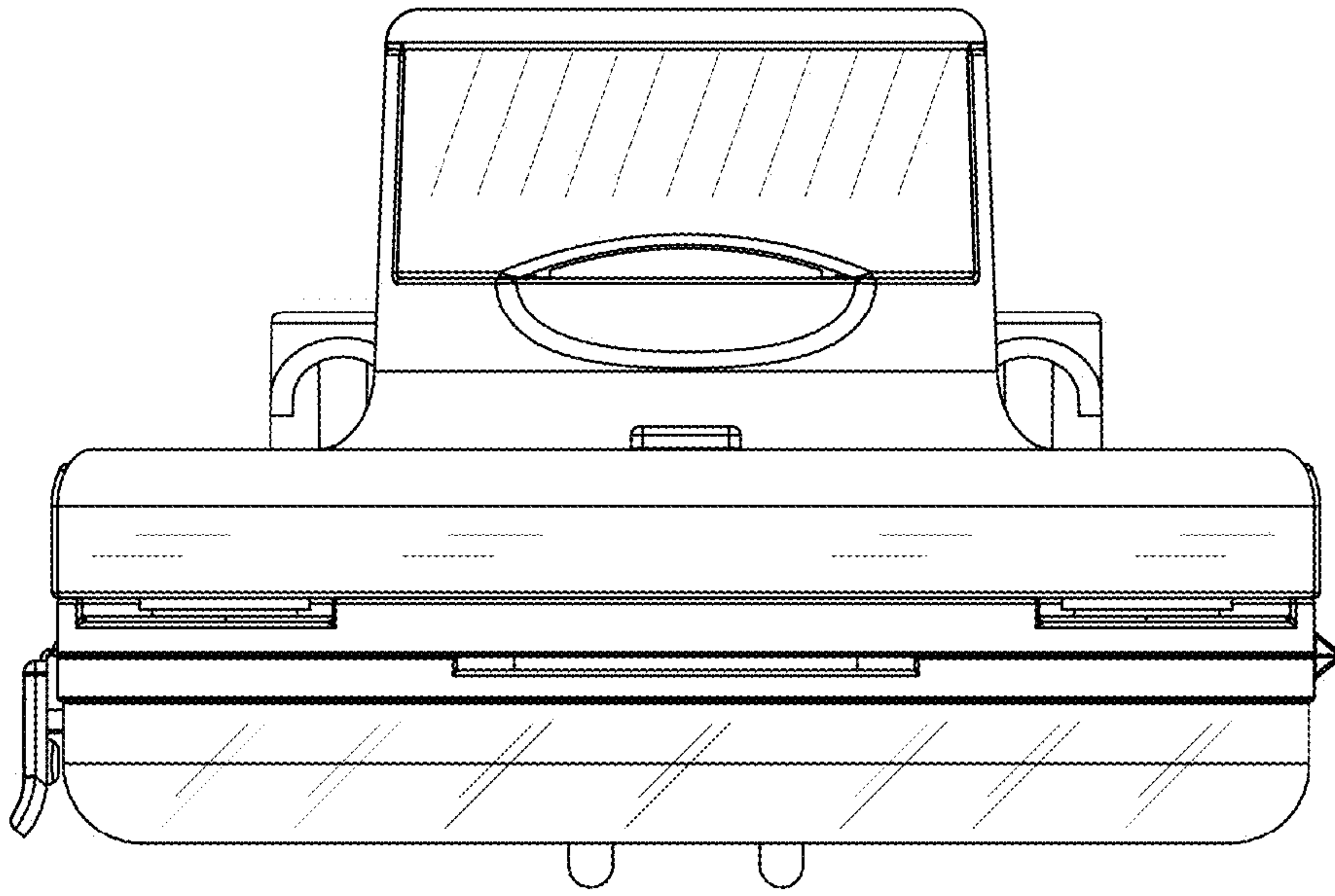


FIG. 4

TOP VIEW

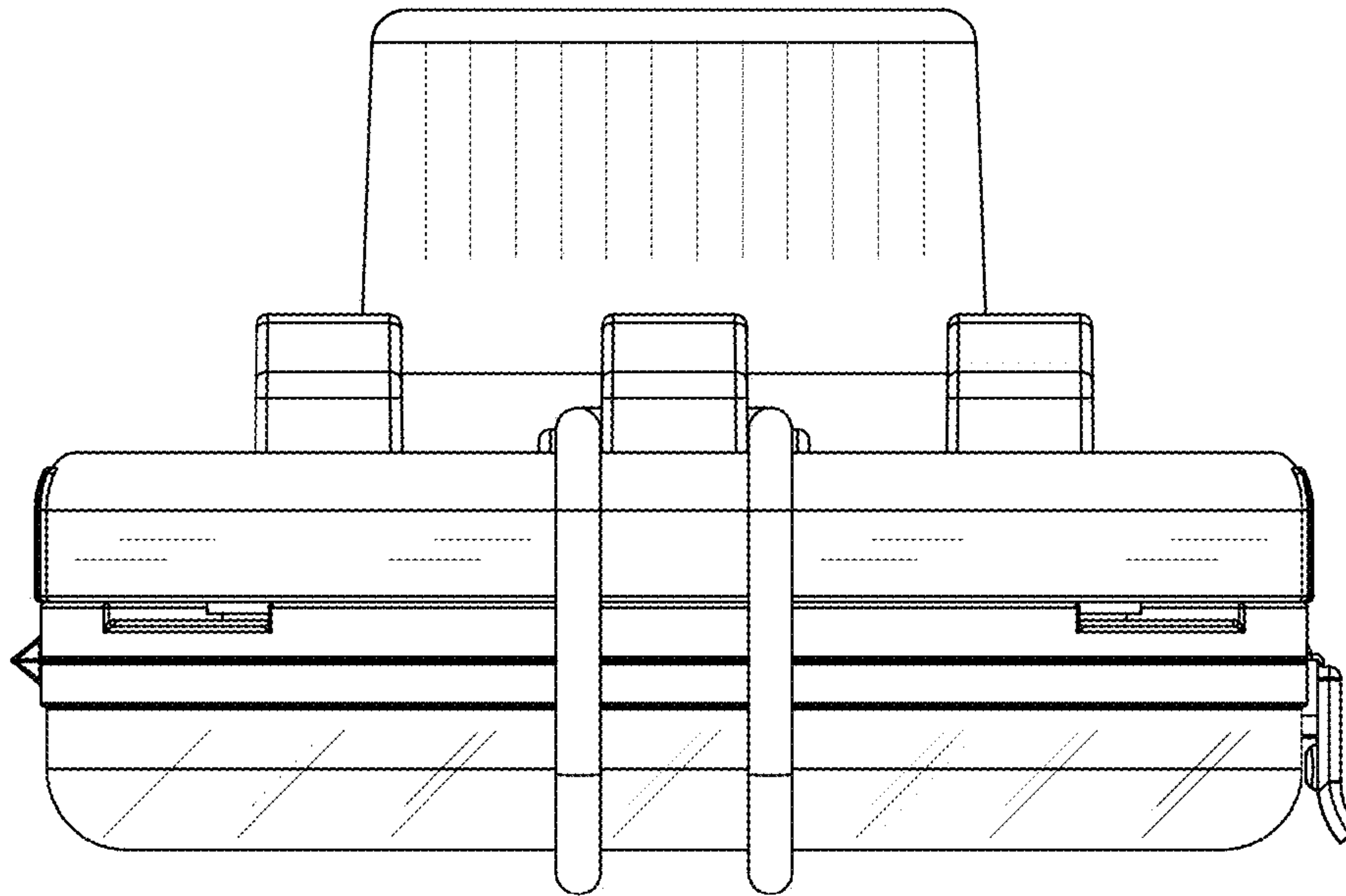


FIG. 5

BOTTOM VIEW

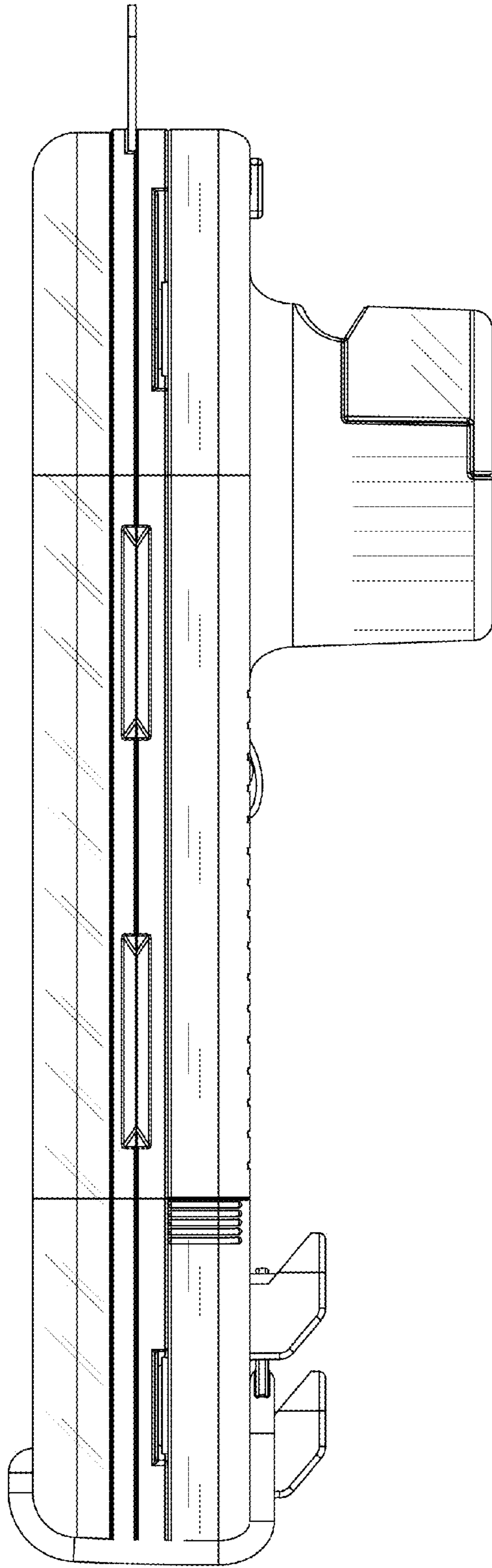


FIG. 6 LEFT-SIDE VIEW

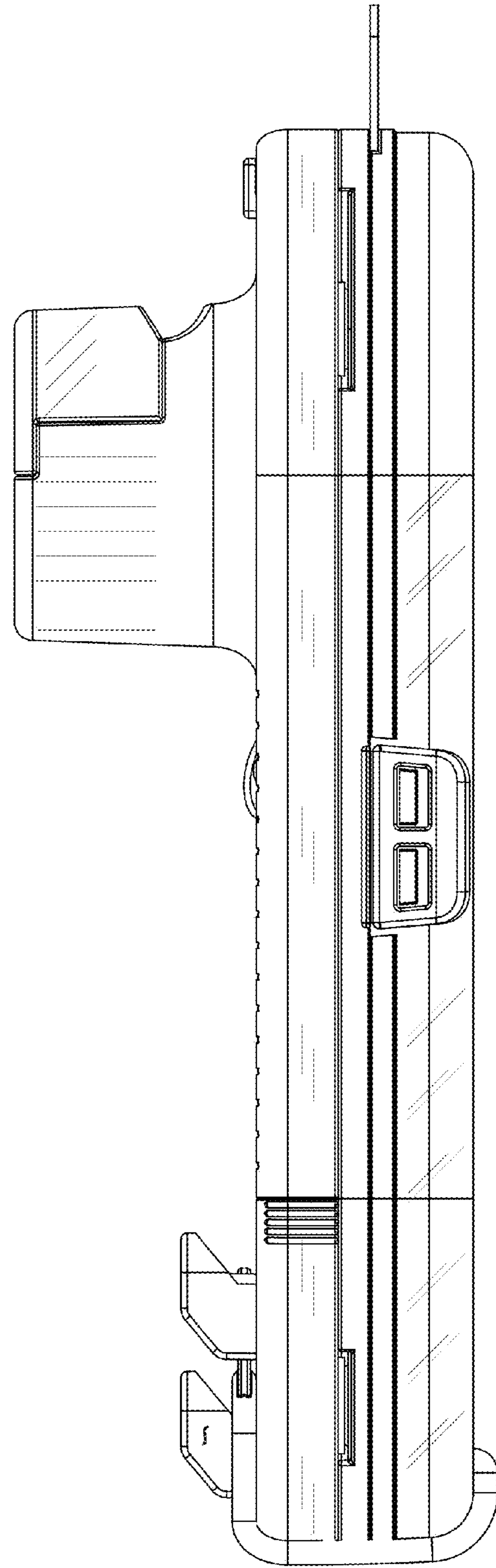


FIG. 7 RIGHT-SIDE VIEW