



US00D895445S

(12) **United States Design Patent** (10) **Patent No.:** **US D895,445 S**  
**Lund Henriksen et al.** (45) **Date of Patent:** **\*\* Sep. 8, 2020**

(54) **CONTROL UNIT FOR A VALVE**  
(71) Applicant: **ALFA LAVAL CORPORATE AB,**  
Lund (SE)  
(72) Inventors: **Axel Lund Henriksen,** Odense C  
(DK); **Johnny Ebsen,** Kolding (DK)  
(73) Assignee: **ALFA LAVAL CORPORATE AB,**  
Lund (SE)  
(\*\*) Term: **15 Years**  
(21) Appl. No.: **29/669,329**  
(22) Filed: **Nov. 7, 2018**

(30) **Foreign Application Priority Data**  
May 8, 2018 (EM) ..... 005262235-0005  
(51) **LOC (12) Cl.** ..... **10-04**  
(52) **U.S. Cl.**  
USPC ..... **D10/49**  
(58) **Field of Classification Search**  
USPC ..... D10/49, 50  
CPC ..... F16K 25/00; F16K 25/005; F16K 25/02;  
F16K 25/04; F16K 27/00; F16K 27/003;  
F16K 27/006; F16K 27/02; F16K  
27/0209; F16K 27/0218; F16K 27/0227;  
F16K 27/0236; F16K 27/0245; F16K  
27/0254; F16K 27/0263; F16K 27/0272;  
F16K 27/0281; F16K 27/029; F16K  
27/04; F16K 27/041; F16K 27/042; F16K  
27/044; F16K 27/045; F16K 27/047;  
F16K 27/048; F16K 27/062; F16K  
27/065; F16K 27/067; F16K 27/07; F16K  
27/08; F16K 27/10; F16K 27/102; F16K  
27/105; F16K 27/107; F16K 27/12; F16K  
31/04; F16K 11/07; F16K 11/078; F23N  
1/005; F23N 5/10; F23N 2900/01002;  
F23N 2035/16; F16J 15/3404; Y10T  
137/87917; Y10T 137/1407; Y10T  
137/86549; Y10T 137/86654; Y10T  
13/86702; Y10T 137/86646; G01B  
21/047;

(Continued)

(56) **References Cited**  
U.S. PATENT DOCUMENTS  
D503,630 S \* 4/2005 Bertolotti ..... D10/50  
D603,277 S \* 11/2009 Clausen ..... D10/50  
(Continued)

FOREIGN PATENT DOCUMENTS  
EM 001958521-0001 12/2011  
EM 001958547-0001 12/2011  
EM 001958547-0002 12/2011

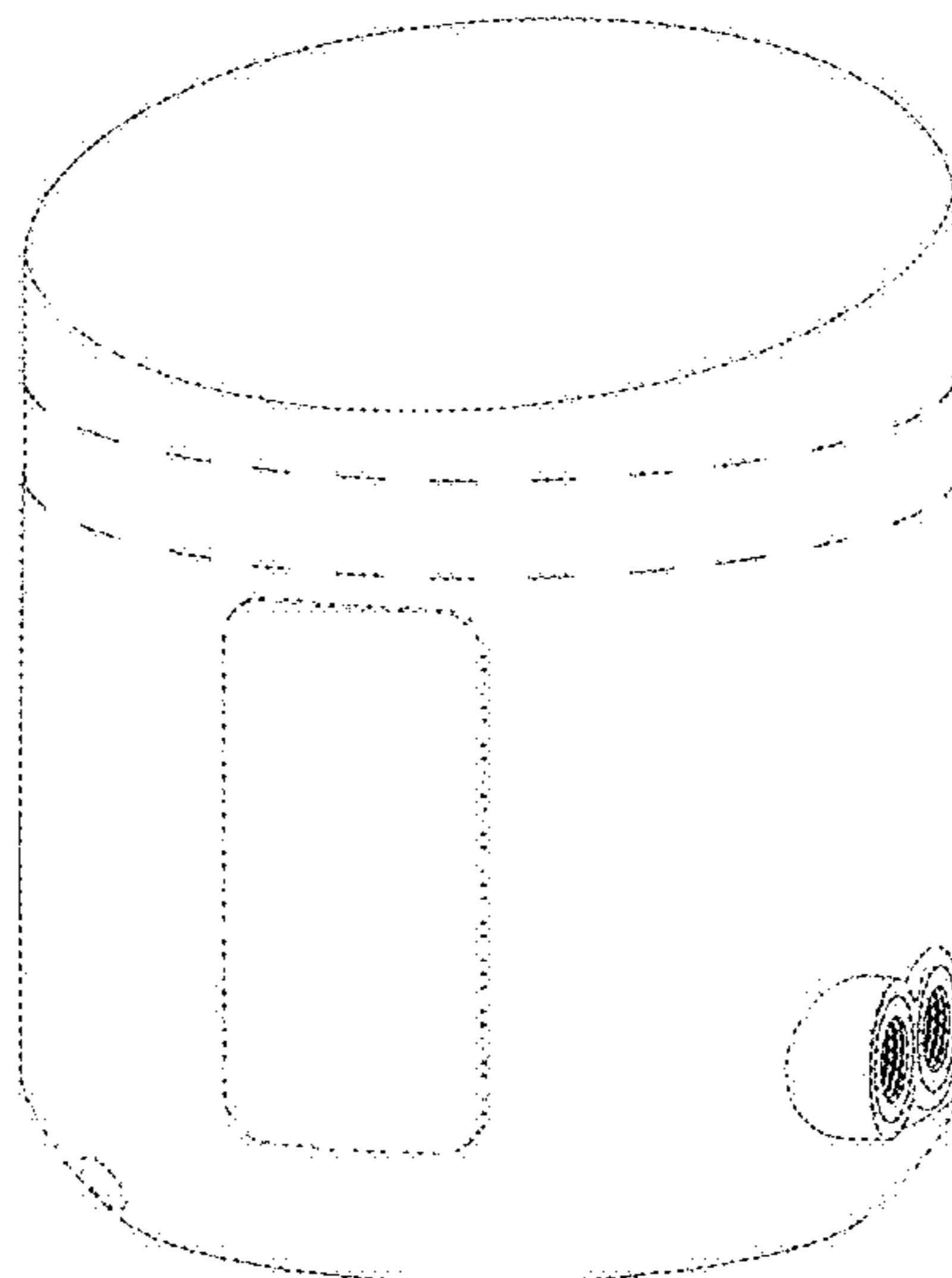
OTHER PUBLICATIONS  
U.S. Appl. No. 29/669,357, filed Nov. 7, 2018, Axel Lund Henriksen.  
(Continued)

*Primary Examiner* — Antoine Duval Davis  
(74) *Attorney, Agent, or Firm* — Buchanan Ingersoll &  
Rooney PC

(57) **CLAIM**  
The ornamental design for a control unit for a valve, as  
shown and described.

**DESCRIPTION**  
FIG. 1 is a front, right perspective view of a control unit for  
a valve showing our new design.  
FIG. 2 is a front, left perspective view thereof.  
FIG. 3 is a front elevational view thereof.  
FIG. 4 is a rear elevational view thereof.  
FIG. 5 is a left side elevational view thereof.  
FIG. 6 is a right side elevational view thereof; and,  
FIG. 7 is a top plan view thereof.  
The broken line showing in the drawings is for environmen-  
tal purposes only and forms no part of the claimed design.

**1 Claim, 7 Drawing Sheets**



(58) **Field of Classification Search**

CPC ... G01B 21/042; G01B 21/145; G01B 5/012;  
G01B 5/016; G01B 5/008; G01B 11/005;  
G01B 11/03; G01B 5/004; G05B 19/00;  
G05B 19/407; G05B 2219/36452; G05B  
2219/36479; G05B 2219/37193; G05B  
2219/3744

See application file for complete search history.

(56) **References Cited**

U.S. PATENT DOCUMENTS

D627,037 S \* 11/2010 Glasser ..... D10/49  
D630,533 S \* 1/2011 Clausen ..... D10/49  
9,103,460 B2 \* 8/2015 Moedinger ..... F15B 15/202  
D738,230 S \* 9/2015 Hamann ..... D10/50  
D738,231 S \* 9/2015 Hamann ..... D10/50  
D777,586 S \* 1/2017 Mangold ..... D10/49  
9,746,365 B2 \* 8/2017 Christie ..... G01F 15/14  
D843,858 S \* 3/2019 Farenski ..... D10/50

OTHER PUBLICATIONS

U.S. Appl. No. 29/669,360, filed Nov. 7, 2018, Axel Lund Henriksen.  
U.S. Appl. No. 29/669,364, filed Nov. 7, 2018, Axel Lund Henriksen.  
U.S. Appl. No. 29/669,324, filed Nov. 7, 2018, Axel Lund Henriksen.  
U.S. Appl. No. 29/669,335, filed Nov. 7, 2018, Axel Lund Henriksen.  
U.S. Appl. No. 29/669,337, filed Nov. 7, 2018, Axel Lund Henriksen.  
U.S. Appl. No. 29/669,341, filed Nov. 11, 2018, Axel Lund Henriksen.  
U.S. Appl. No. 29/669,343, filed Nov. 7, 2018, Axel Lund Henriksen.  
U.S. Appl. No. 29/670,969, filed Nov. 21, 2018, Axel Lund Henriksen.

\* cited by examiner

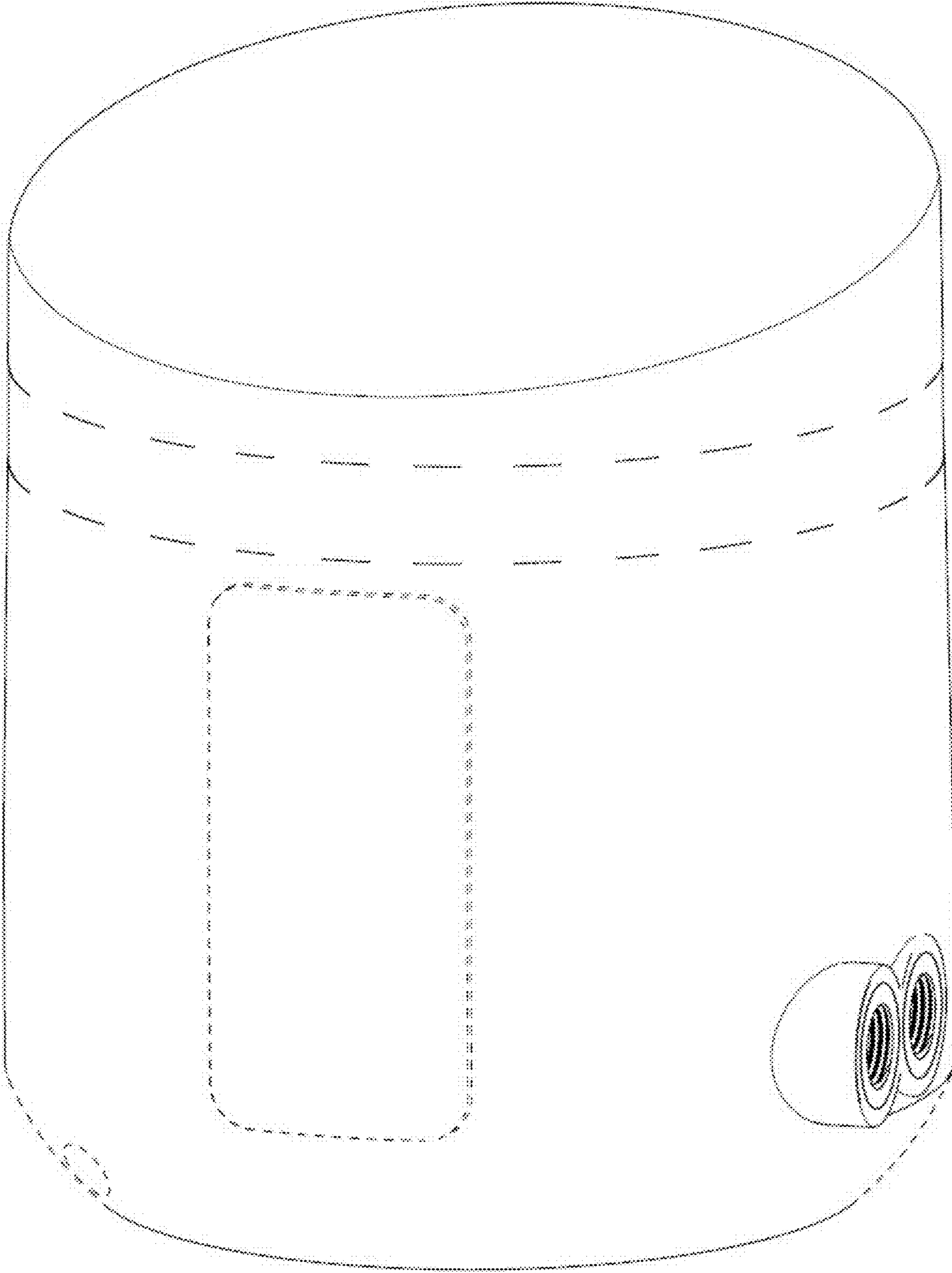


FIG. 1

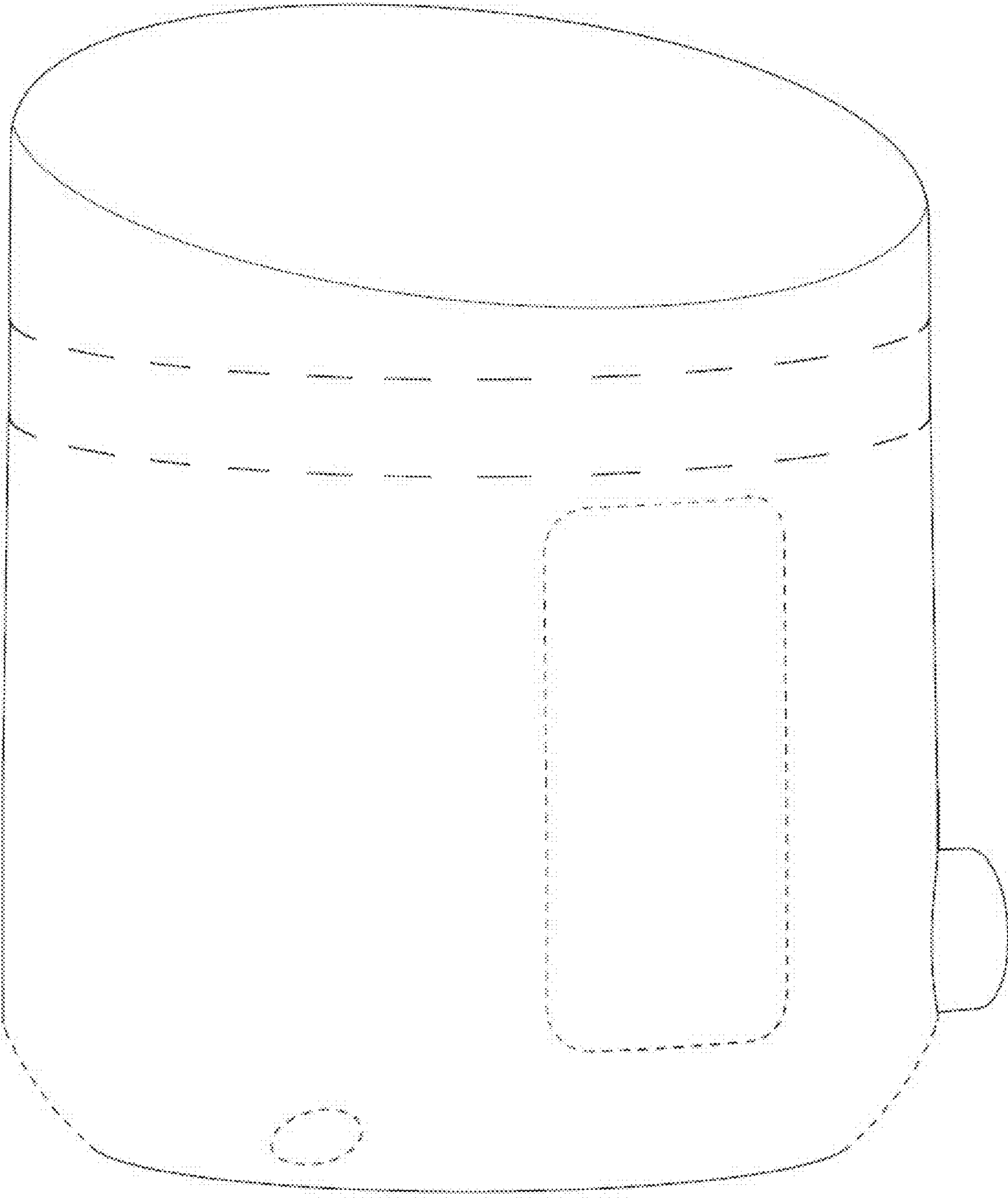


FIG. 2

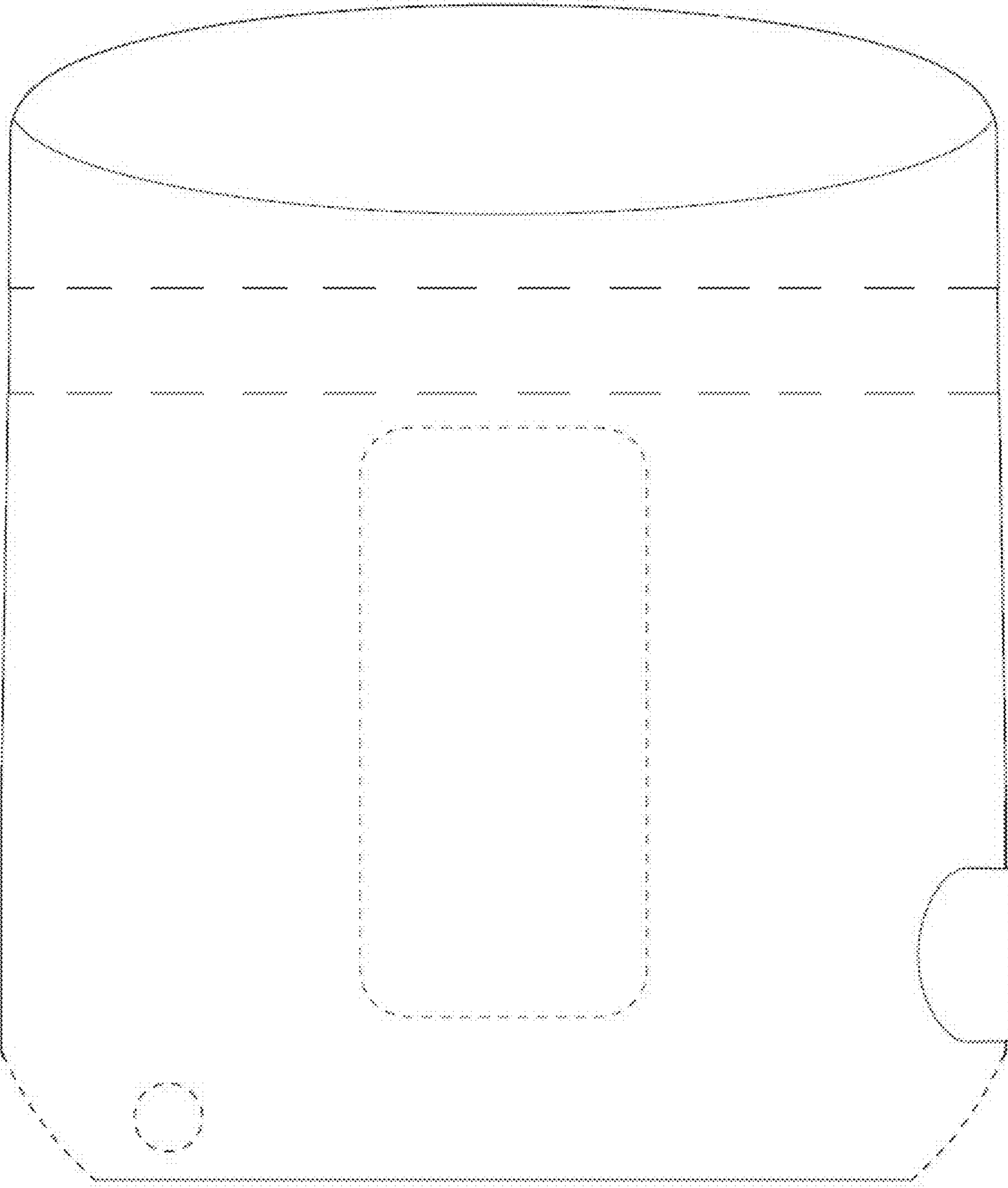


FIG. 3

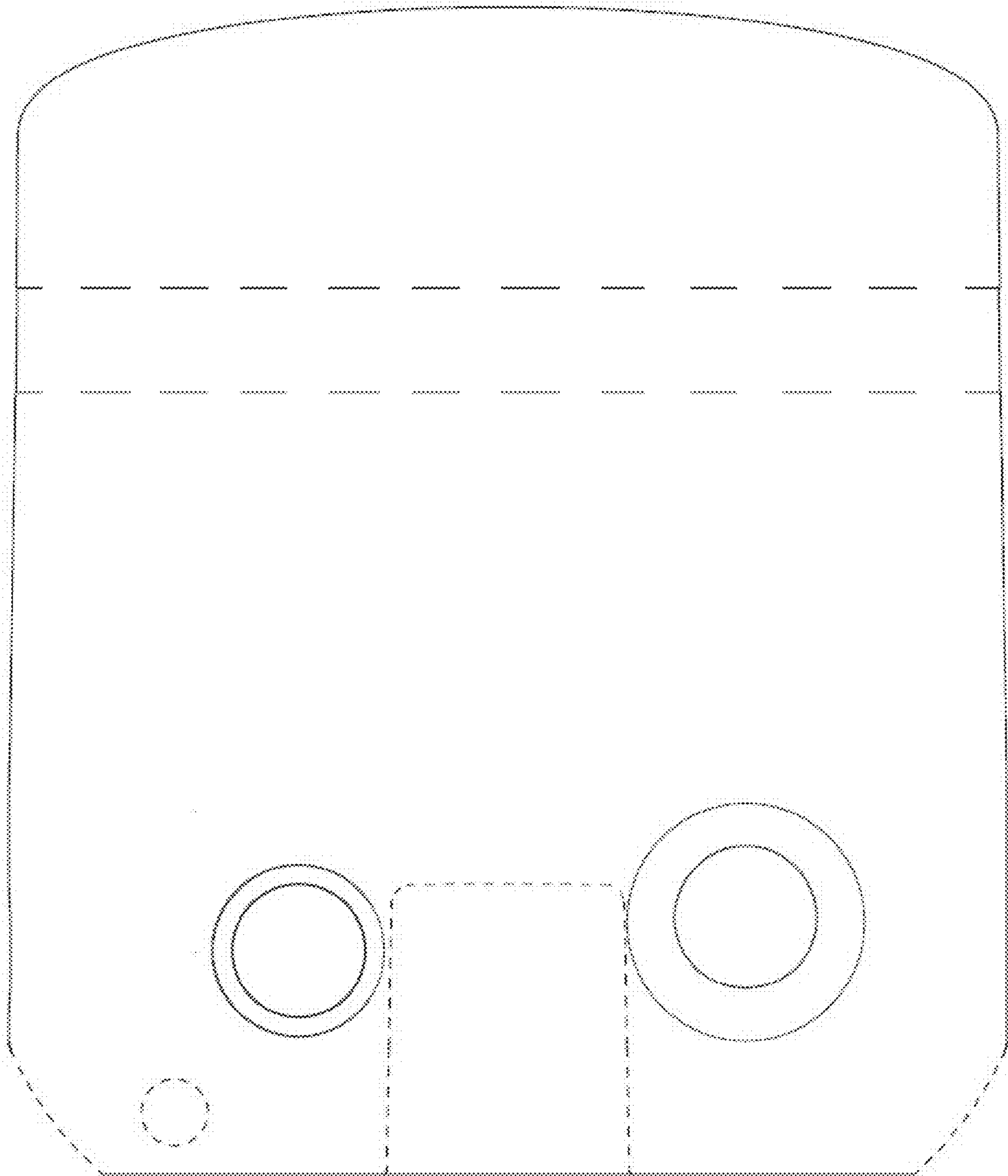


FIG. 4

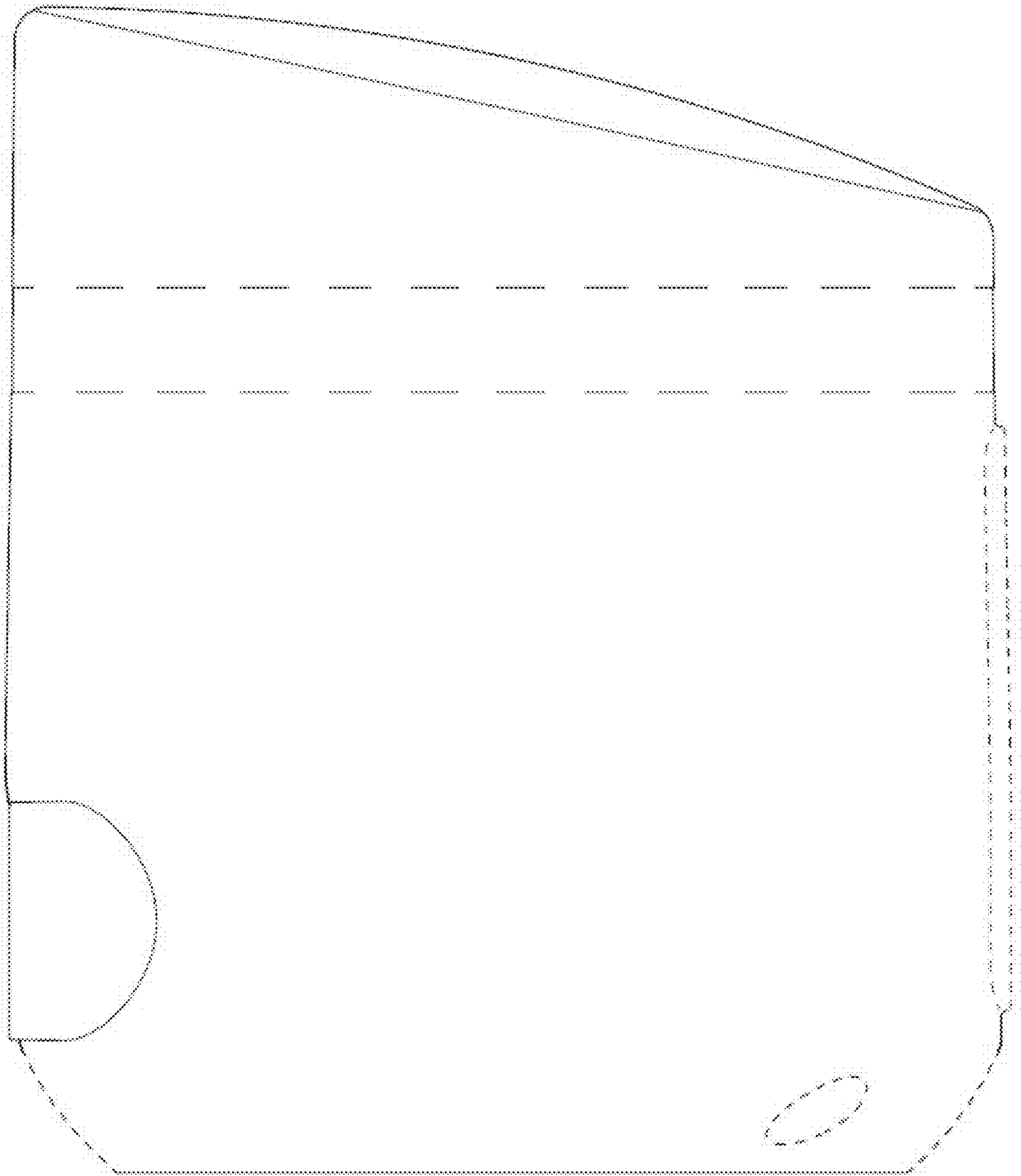


FIG. 5

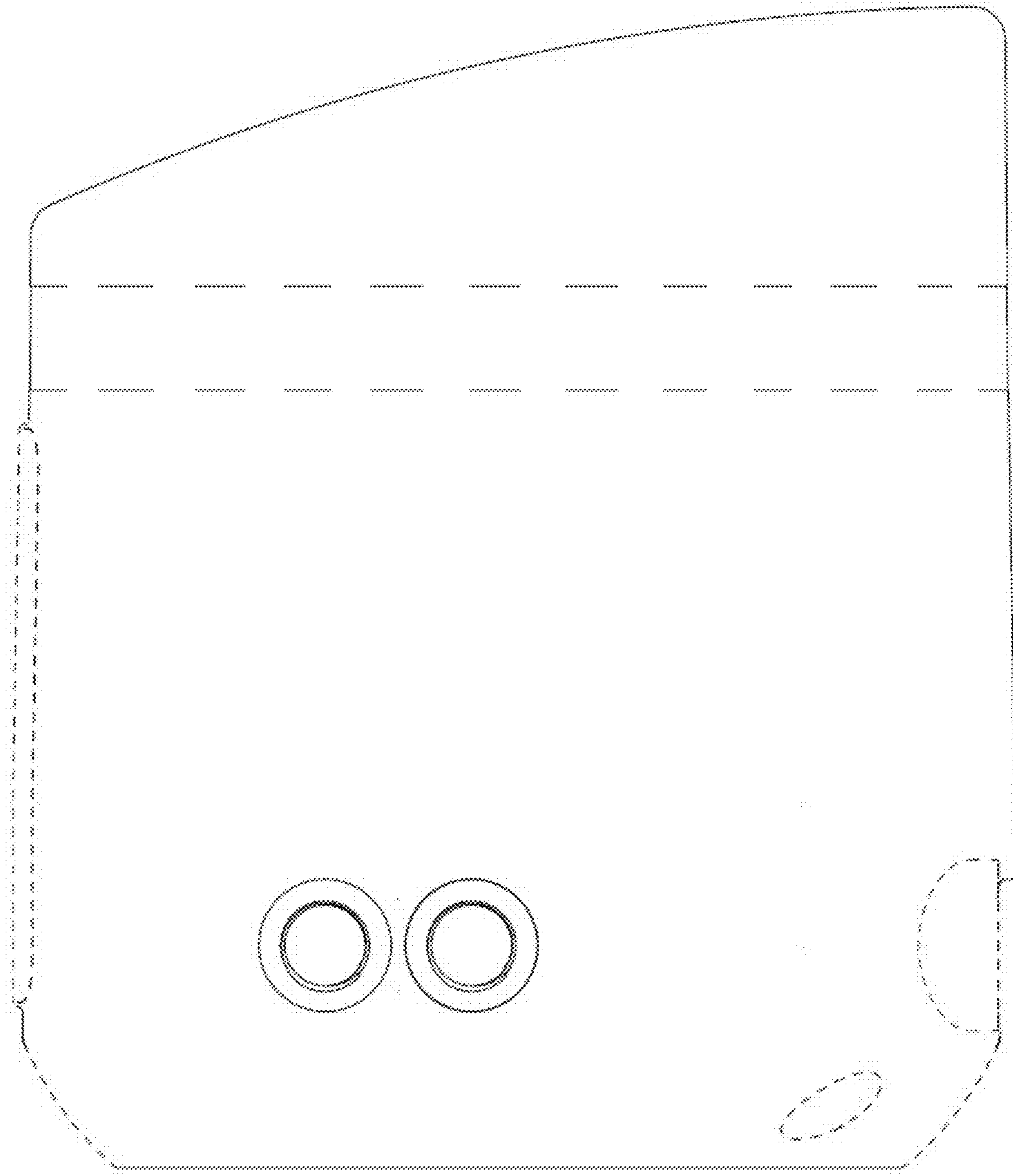


FIG. 6



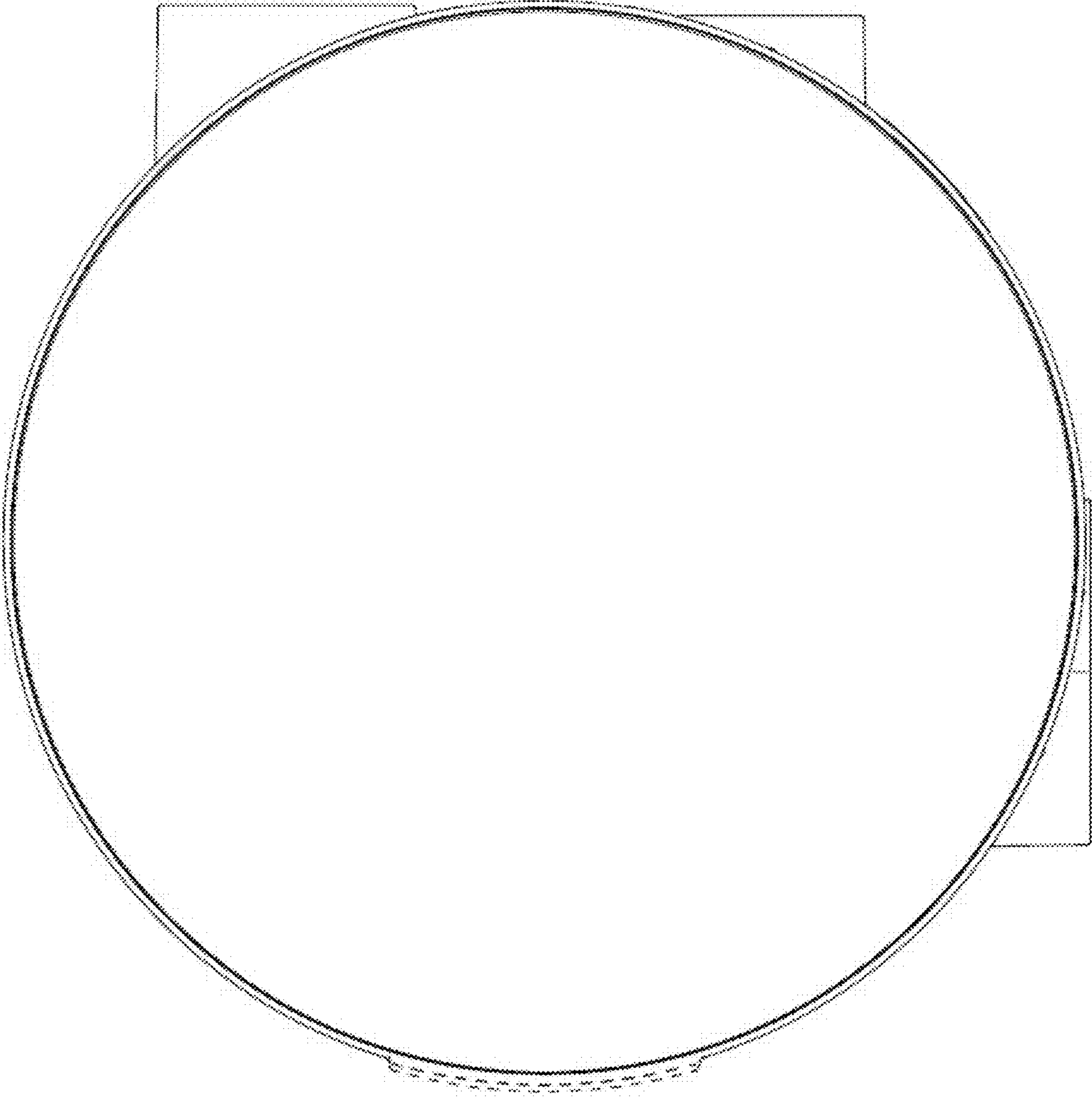


FIG. 7