



US00D895444S

(12) **United States Design Patent** (10) **Patent No.:** **US D895,444 S**
DeBoer et al. (45) **Date of Patent:** **** Sep. 8, 2020**

(54) **DISPLAY DEVICE**

23/025; H05B 47/19; H05B 39/02; H05B 39/04; H05B 39/085; H05B 39/086; H05B 39/088; F24F 11/00; F24F 11/0012; F24F 11/0086; F24F (Continued)

(71) Applicant: **Johnson Controls Technology Company**, Auburn Hills, MI (US)

(72) Inventors: **Dave P. DeBoer**, Cedarburg, WI (US); **Tai P. Luc**, South Milwaukee, WI (US); **Kirk P. Henderson**, Oconomowoc, WI (US); **Tushar Baviskar**, Milwaukee, WI (US); **Ramesh Varma Shiva Satya Bhupathiraju**, Telangana (IN); **Vinod Tijare**, Milwaukee, WI (US); **Krishna Danturti**, Milwaukee, WI (US); **Satish Kumar Jatashanker Singh**, Pune (IN); **Swapnil Subhash Chavan**, Milwaukee, WI (US)

(56) **References Cited**

U.S. PATENT DOCUMENTS

D394,842 S 6/1998 Kellstedt et al.
6,324,057 B1 * 11/2001 Baran H05K 7/142
174/16.1
D659,652 S * 5/2012 Wong D13/162.1
(Continued)

OTHER PUBLICATIONS

Johnson Controls, Metasys System Field Equipment Controllers and Related Products Product Bulletin, Apr. 2016, 37 pages.

Primary Examiner — Selina Sikder

(74) *Attorney, Agent, or Firm* — Foley & Lardner LLP

(57) **CLAIM**

We claim the ornamental design for a display device, as shown and described.

DESCRIPTION

FIG. 1 is a front top perspective view of the display device; FIG. 2 is a rear top perspective view of the claimed design of FIG. 1; FIG. 3 is a front view of the claimed design of FIG. 1; FIG. 4 is a rear view of the claimed design of FIG. 1; FIG. 5 is a left side view of the claimed design of FIG. 1; FIG. 6 is a right side view of the claimed design of FIG. 1; FIG. 7 is a top view of the claimed design of FIG. 1; and, FIG. 8 is a bottom view of the claimed design of FIG. 1. Any portion of the article depicted in broken lines forms no part of the claimed design.

1 Claim, 6 Drawing Sheets

(73) Assignee: **Johnson Controls Technology Company**, Auburn Hills, MI (US)

(**) Term: **15 Years**

(21) Appl. No.: **29/634,248**

(22) Filed: **Jan. 19, 2018**

(51) **LOC (12) Cl.** **10-04**

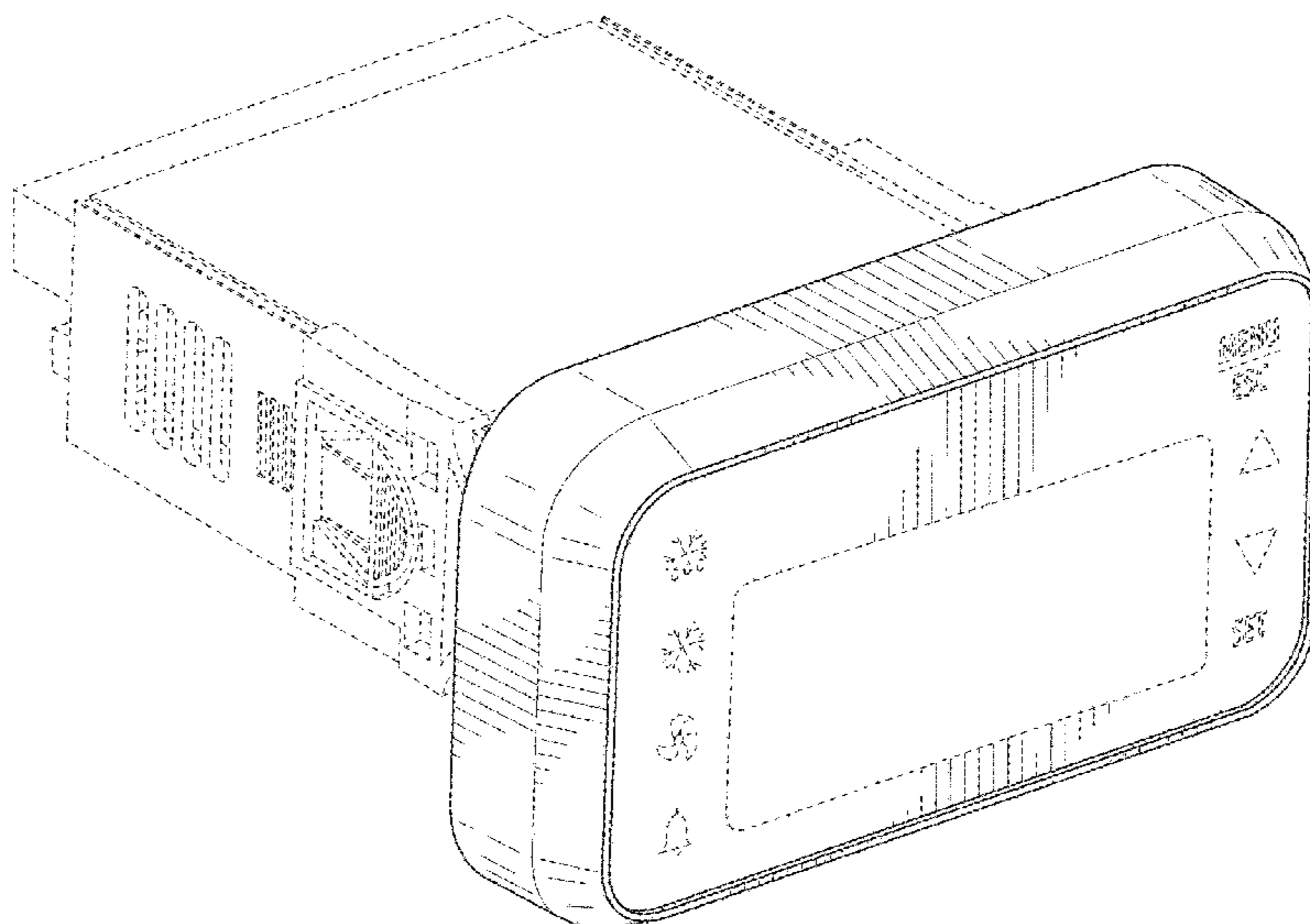
(52) **U.S. Cl.**

USPC **D10/49; D10/50; D13/162**

(58) **Field of Classification Search**

USPC D13/162, 168; D6/300, 308; D10/49, D10/50, 104.1, 106.1, 106.95; D14/126, D14/129, 336, 337, 341, 371, 374, 375, D14/218

CPC .. G05B 19/0426; G05B 19/409; G05B 15/02; G06F 1/1601; G06F 3/041; G06F 3/044; G06F 3/0482; G06F 3/0488; G06F 3/0489; G05D 23/1902; G05D 23/1905; G05D 23/1931; H01H 9/02; H01H 9/0271; H01H 9/16; H01H 9/18; H01H 9/161; H01H 9/181; H01H 9/182; H01H 13/04; H01H 13/14; H01H 13/20; H01H 13/30; H01H 23/00; H01H 23/02; H01H



(58) **Field of Classification Search**

CPC .. 11/0009; F24F 2011/0057; F24F 2011/0073;
F24F 2011/0091

See application file for complete search history.

(56) **References Cited**

U.S. PATENT DOCUMENTS

D699,139 S * 2/2014 Schwenn D10/103
D733,591 S * 7/2015 Golden D10/50
D792,789 S * 7/2017 Read D10/50
D795,090 S * 8/2017 Menden D10/49
D837,666 S * 1/2019 Butler D10/49
D850,297 S * 6/2019 Alcorn D10/49
D853,865 S * 7/2019 Menden D10/49
D862,255 S * 10/2019 Erbacher D10/49
D875,568 S * 2/2020 Read D10/50
2007/0228183 A1* 10/2007 Kennedy G05D 23/1905
236/1 C
2010/0106305 A1* 4/2010 Pavlak F24F 11/30
700/276
2011/0132991 A1* 6/2011 Moody G05D 23/1902
236/46 R
2012/0061480 A1* 3/2012 Deligiannis G05B 15/02
236/51
2014/0043256 A1* 2/2014 Wu H01H 9/02
345/173
2015/0062087 A1* 3/2015 Cho G06F 3/017
345/175
2018/0216380 A1* 8/2018 Butler E05D 3/06
2019/0226756 A1* 7/2019 DeBoer F25D 29/005

* cited by examiner

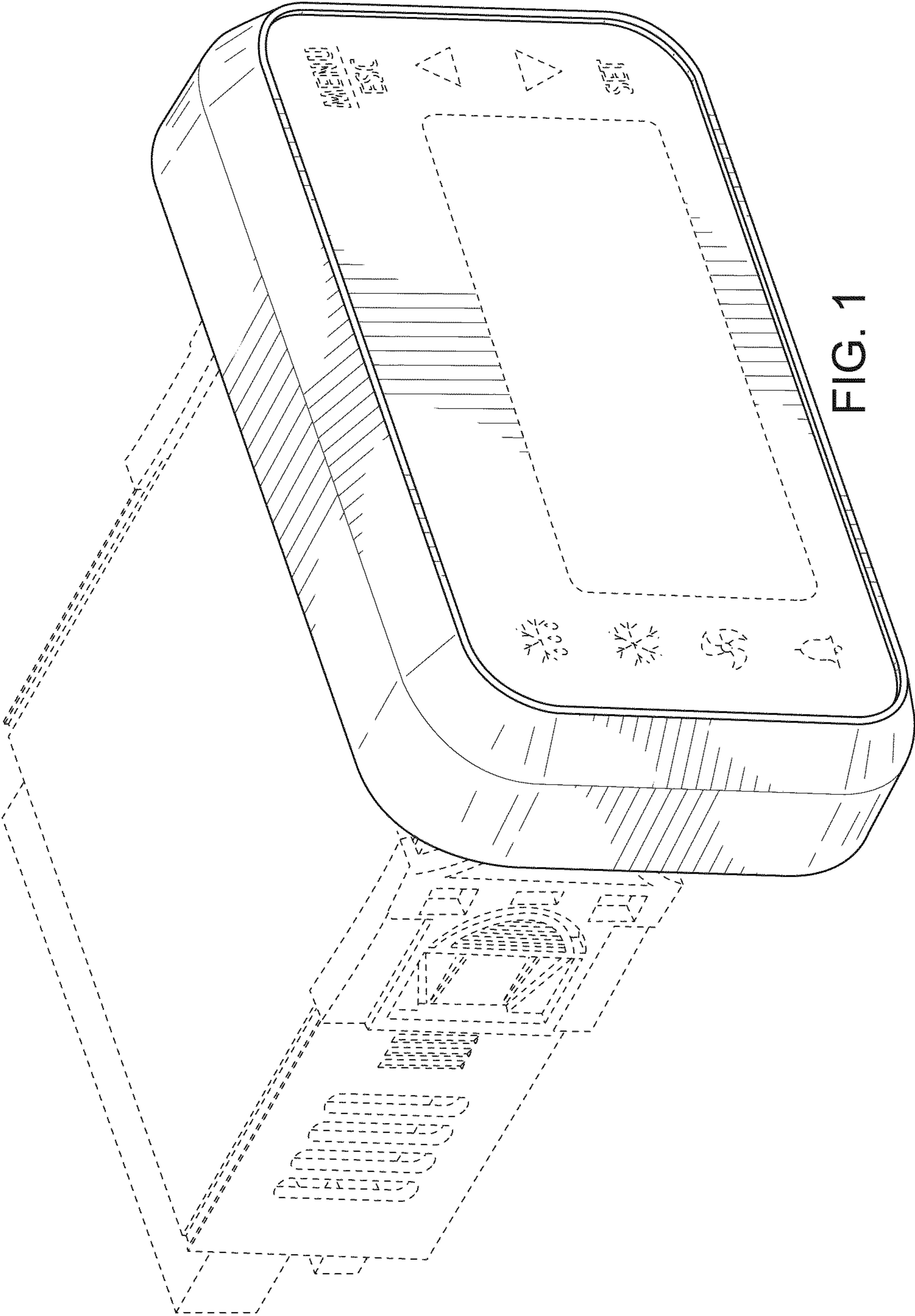


FIG. 1

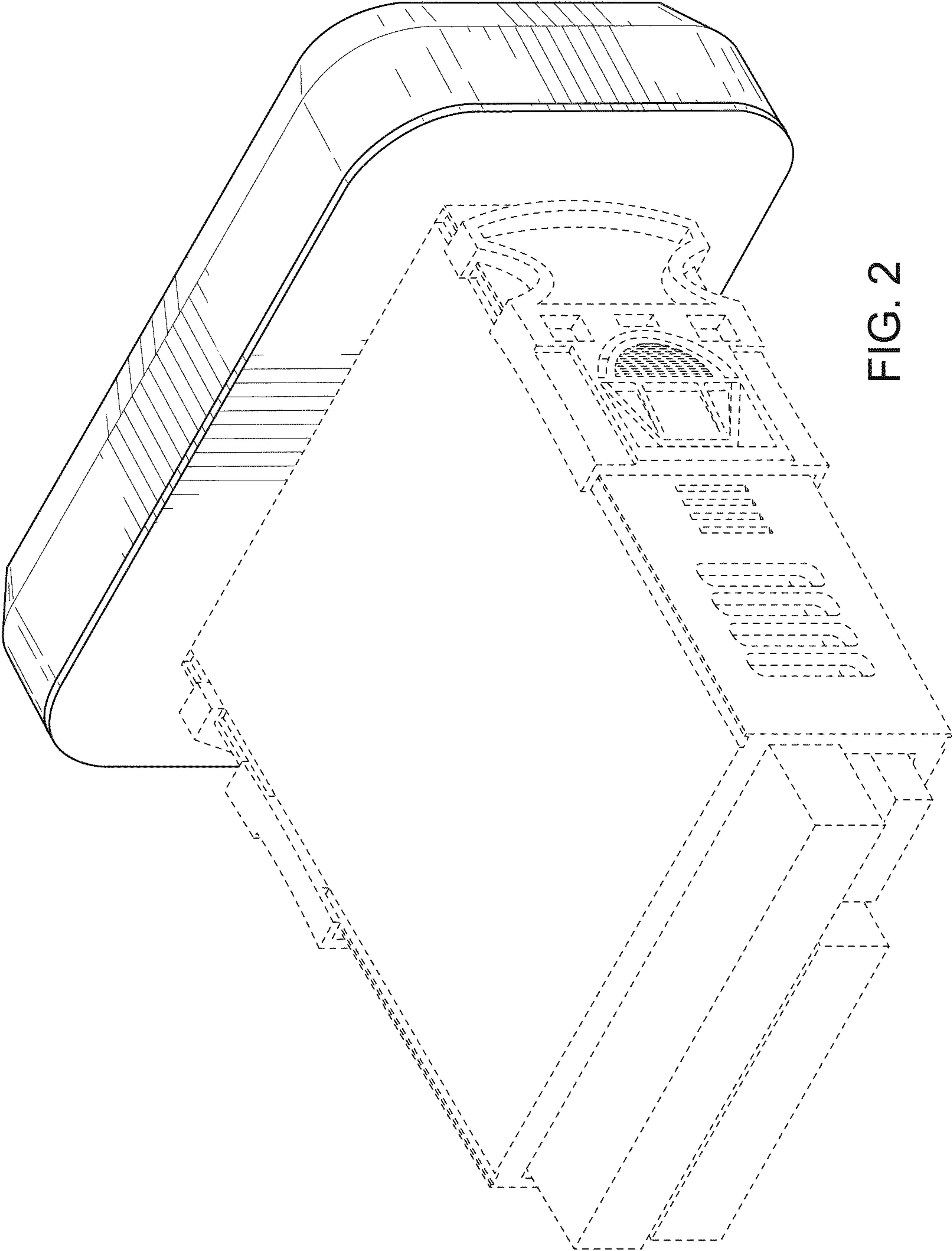


FIG. 2

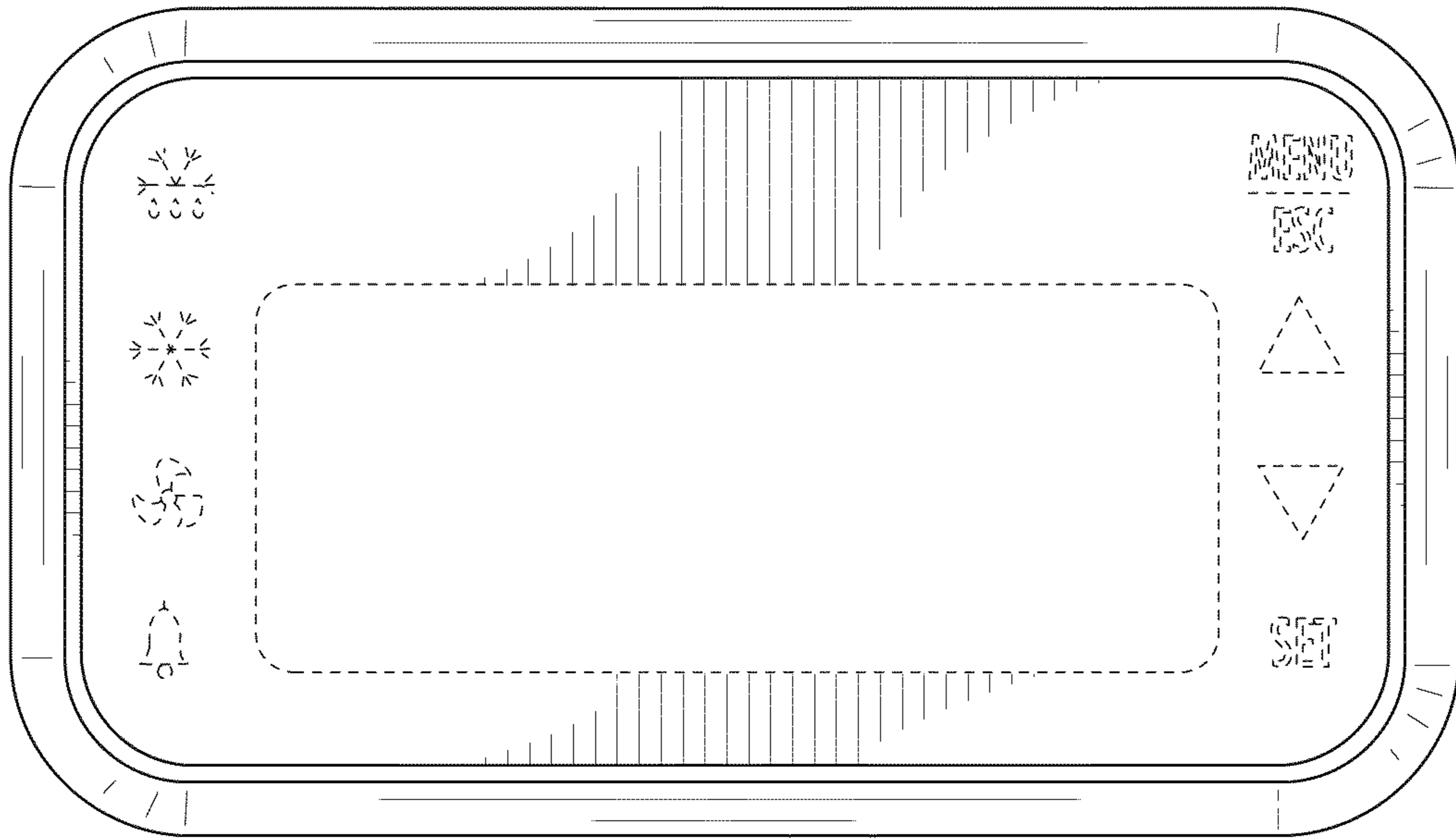


FIG. 3

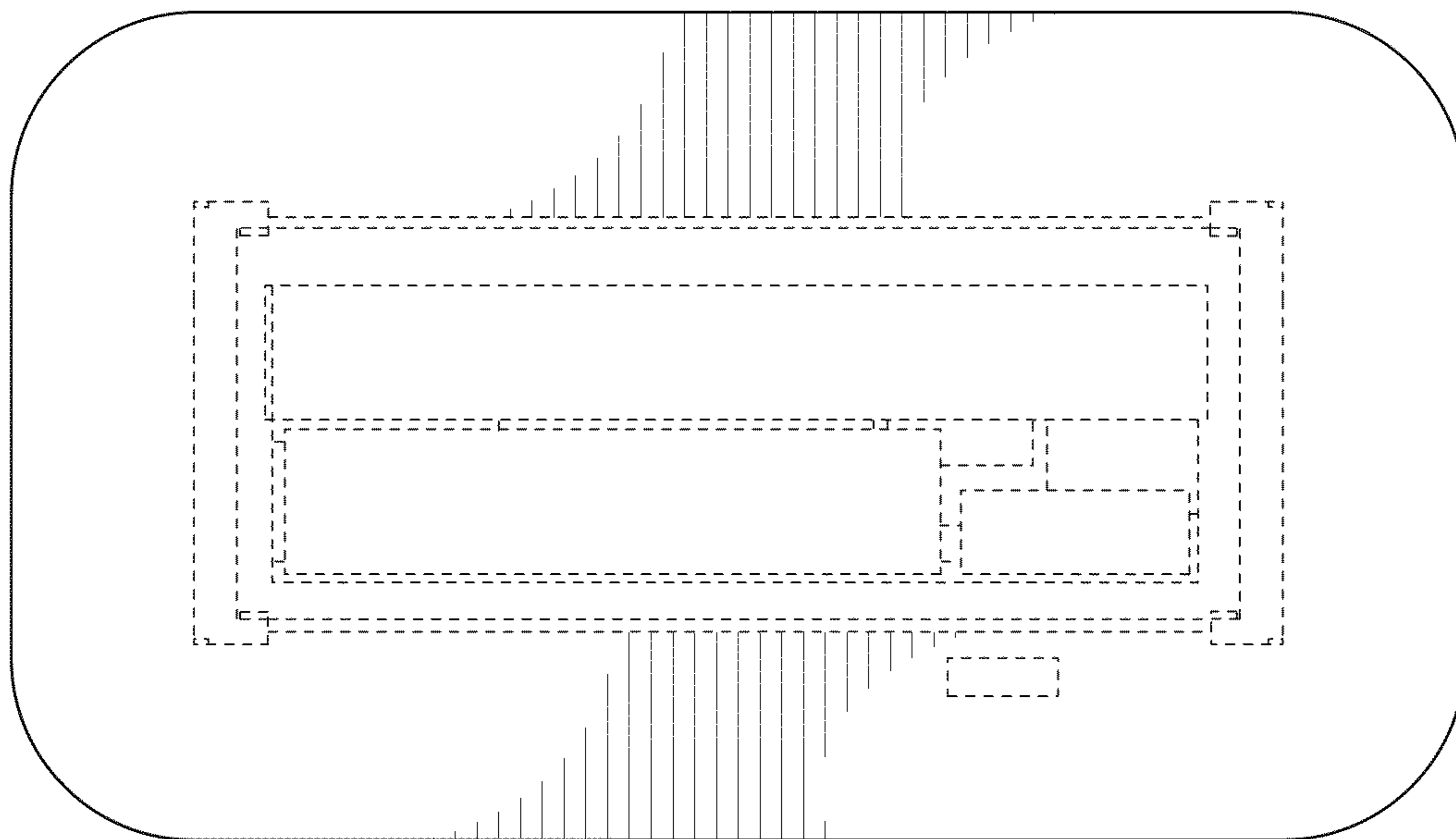


FIG. 4

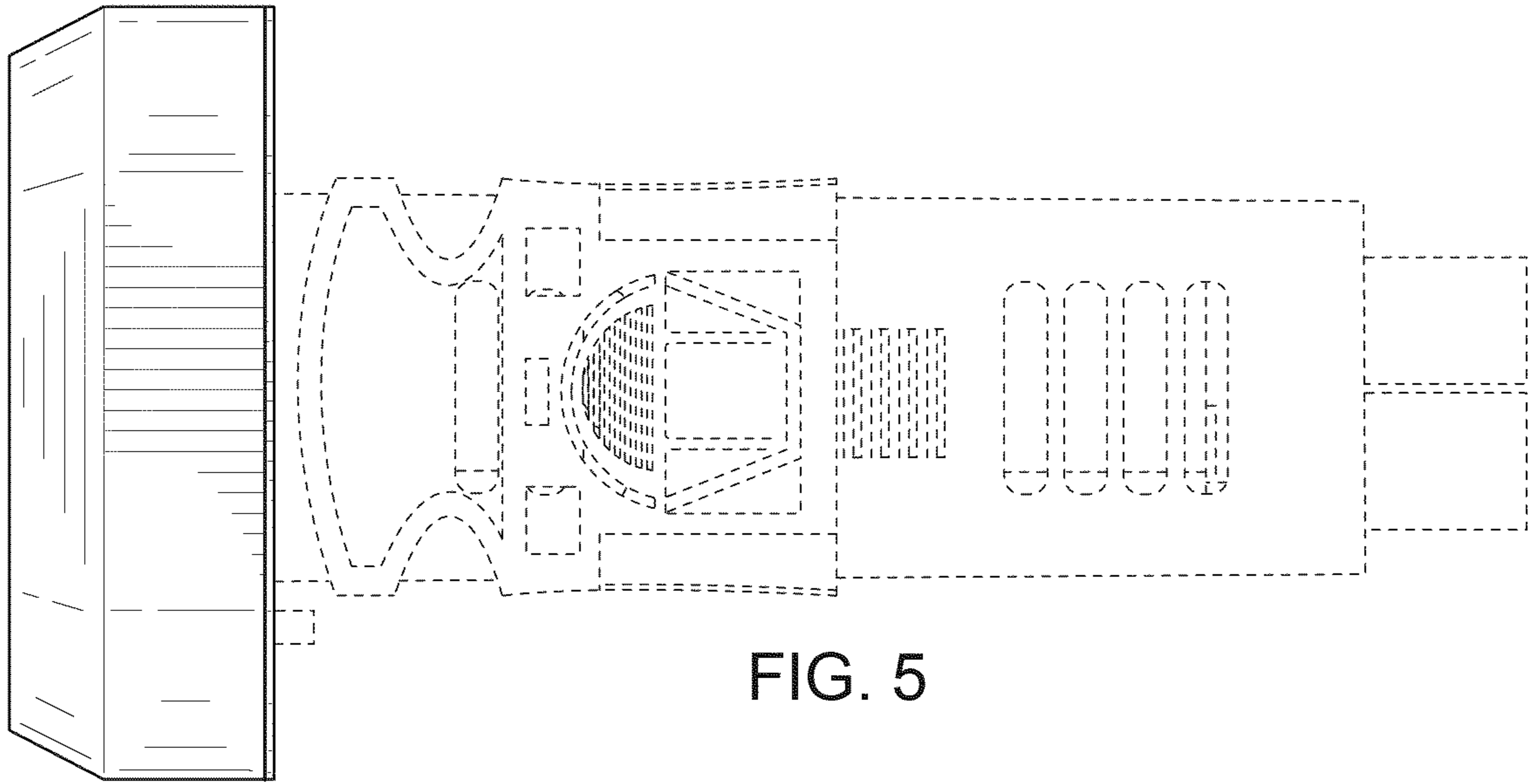


FIG. 5

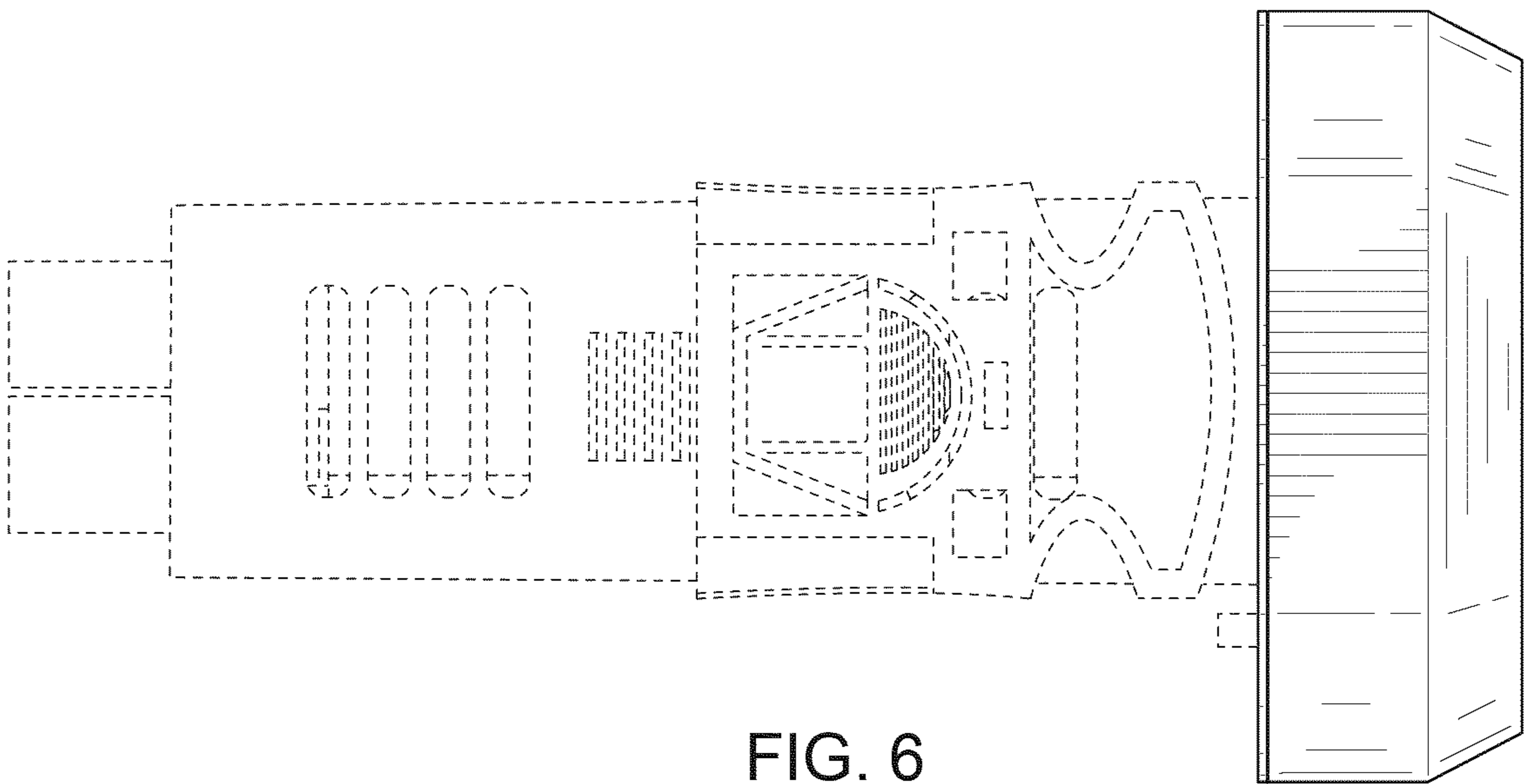


FIG. 6

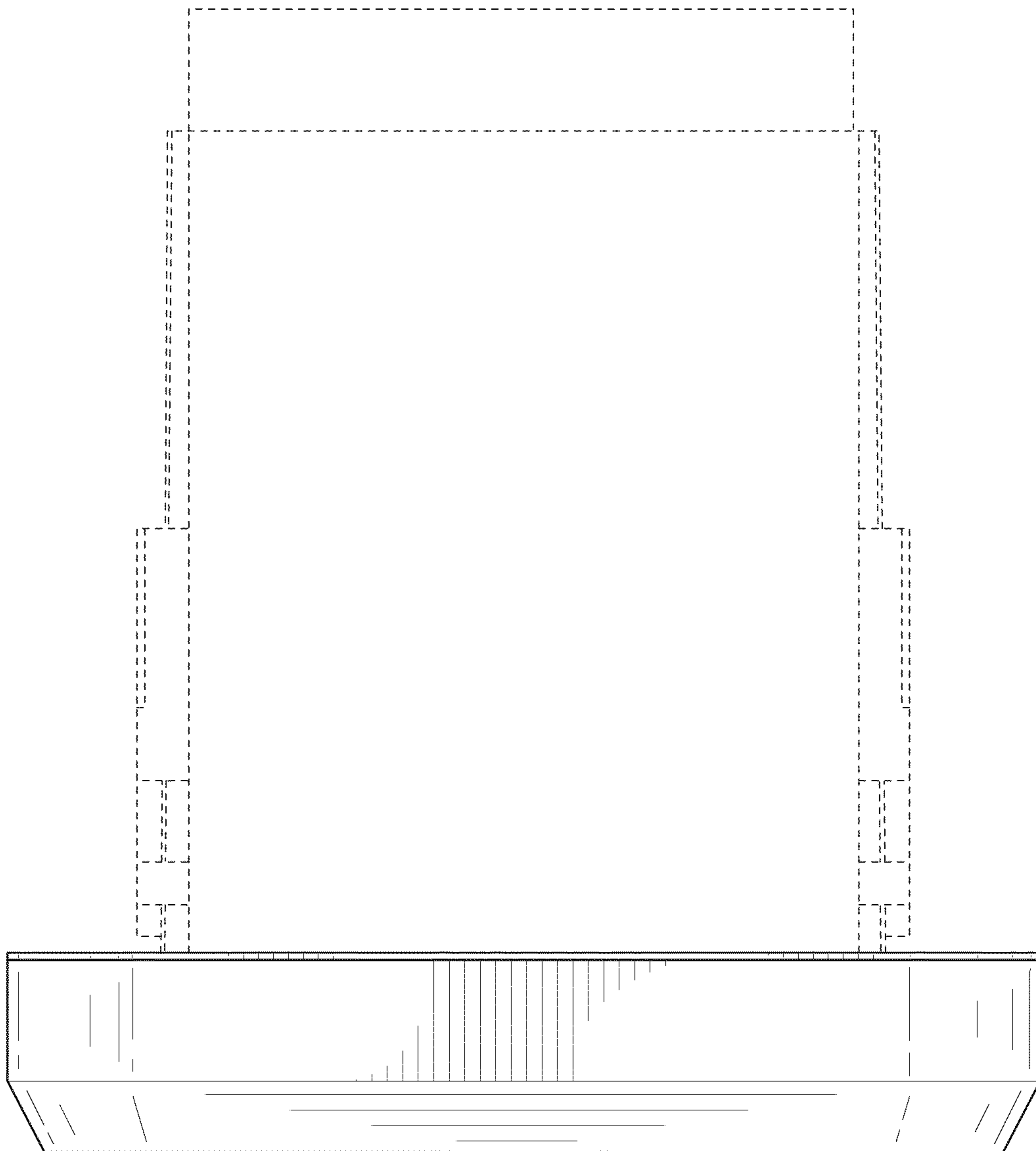


FIG. 7

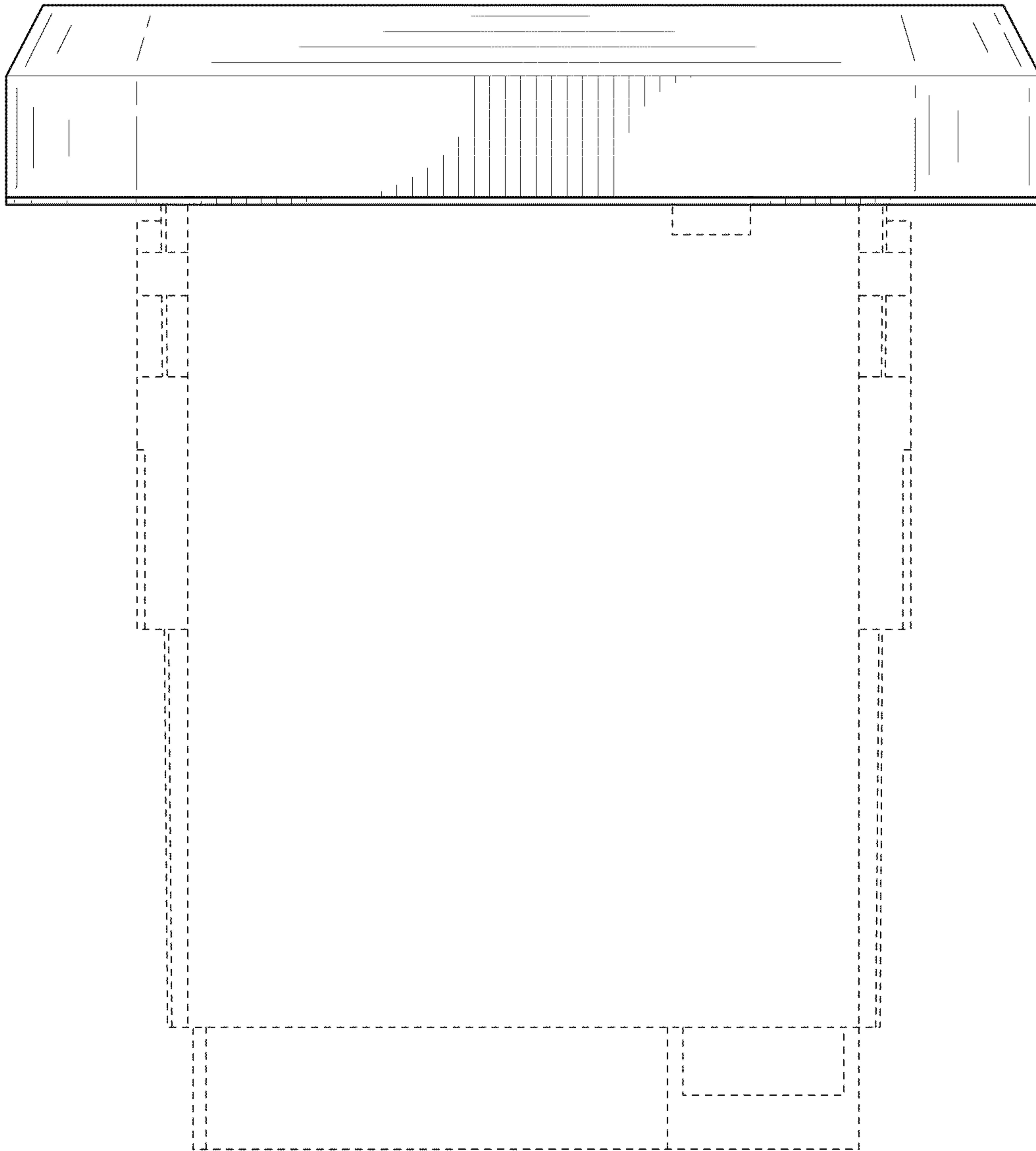


FIG. 8