

US00D895441S

(12) **United States Design Patent** (10) **Patent No.:** **US D895,441 S**  
**Yu** (45) **Date of Patent:** **\*\* Sep. 8, 2020**

(54) **DIGITAL ALARM CLOCK**  
(71) Applicant: **FUZHOU ESUN ELECTRONIC CO., LTD**, Fuzhou (CN)  
(72) Inventor: **Guo Yu**, Fuzhou (CN)  
(73) Assignee: **FUZHOU ESUN ELECTRONIC CO., LTD**, Fuzhou (CN)  
(\*\*) Term: **15 Years**

D345,925 S \* 4/1994 Peersmann ..... D10/26  
D397,055 S \* 8/1998 Cho ..... D10/122  
D442,496 S \* 5/2001 Haupt ..... D10/15  
D444,712 S \* 7/2001 Versace ..... D10/18  
D476,640 S \* 7/2003 Harris ..... D14/211  
D521,562 S \* 5/2006 Richter ..... D19/91  
D552,357 S \* 10/2007 Fu ..... D10/2  
D560,125 S \* 1/2008 Choi ..... D10/53  
D564,365 S \* 3/2008 Chang ..... D10/2  
D585,306 S \* 1/2009 Oas ..... D10/15  
D602,465 S \* 10/2009 Mills ..... D14/168  
D611,845 S \* 3/2010 Sadler ..... D10/53  
D619,560 S \* 7/2010 Ho ..... D14/203.8

(Continued)

(21) Appl. No.: **29/690,945**

(22) Filed: **May 13, 2019**

(30) **Foreign Application Priority Data**

Apr. 18, 2019 (CN) ..... 2019 3 0178237

(51) **LOC (12) Cl.** ..... **10-01**

(52) **U.S. Cl.**  
USPC ..... **D10/2; D10/53**

(58) **Field of Classification Search**  
USPC ..... D10/1-11, 14-15, 17, 22, 24-26, 29,  
D10/40-42, 45, 46, 49, 52-53, 104.2,  
D10/106.1; D14/168, 170-172, 175, 188,  
D14/203.8  
CPC ..... G04B 49/00; G04B 49/02; G04B 49/04;  
G04B 19/00; G04B 19/04; G04B 19/34;  
G04G 13/02; G04G 17/00; G04G 17/08;  
G04G 17/086

See application file for complete search history.

(56) **References Cited**

**U.S. PATENT DOCUMENTS**

4,094,082 A \* 6/1978 Cannarozzo ..... G09D 3/04  
40/107  
D258,811 S \* 4/1981 You ..... D10/3  
D278,109 S \* 3/1985 Leeds ..... D19/91  
D320,564 S \* 10/1991 Sharkey ..... D10/15  
D329,609 S \* 9/1992 Wolff ..... D10/15

**OTHER PUBLICATIONS**

2020 New Digital Mirror LED Alarm Clock | posted at alibaba.com no posting date [online]. © 1999-2020 Alibaba.com [retrieved Jul. 13, 2020] from Internet: <<https://www.alibaba.com/product-detail/2020-NEW-Digital-Mirror-LED-Alarm-62540246563.html?spm=a2700.icbuShop.41413.14.57895237HdpY6E>> (Year: 2020).\*

*Primary Examiner* — Sandra Snapp  
*Assistant Examiner* — Katherine Glennon  
(74) *Attorney, Agent, or Firm* — Westbridge IP LLC

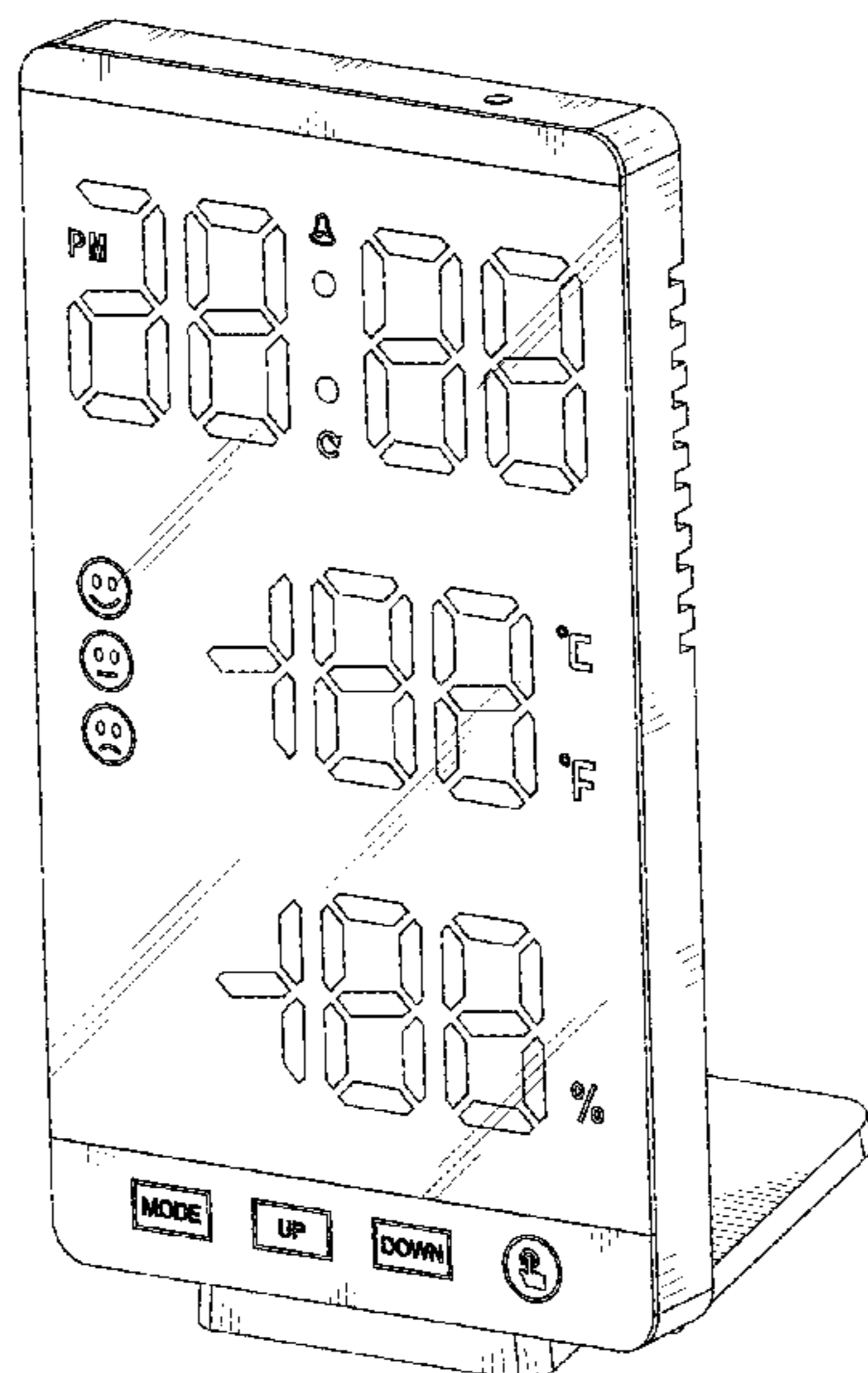
(57) **CLAIM**

The ornamental design for a digital alarm clock, as shown and described.

**DESCRIPTION**

FIG. 1 is a perspective view of a digital alarm clock showing my new design;  
FIG. 2 is another perspective view thereof;  
FIG. 3 is a front view thereof;  
FIG. 4 is a rear view thereof;  
FIG. 5 is a left side view thereof;  
FIG. 6 is a right side view thereof;  
FIG. 7 is a top plan view thereof; and,  
FIG. 8 is a bottom plan view thereof.

**1 Claim, 8 Drawing Sheets**



(56)

**References Cited**

U.S. PATENT DOCUMENTS

D695,636	S	*	12/2013	Mullen	.....	D10/10
D753,607	S	*	4/2016	Lee	.....	D13/162
D762,613	S	*	8/2016	Garneau	.....	D14/172
D786,096	S	*	5/2017	Wetzel	.....	D10/49
D795,202	S	*	8/2017	Dimberg	.....	D13/168
D844,465	S	*	4/2019	Avranches	.....	D10/49
D845,149	S	*	4/2019	Yu	.....	D10/15
2009/0224881	A1	*	9/2009	Koon	.....	G01W 1/02
						340/7.48
2011/0280107	A1	*	11/2011	Day	.....	G04G 17/08
						368/10

\* cited by examiner

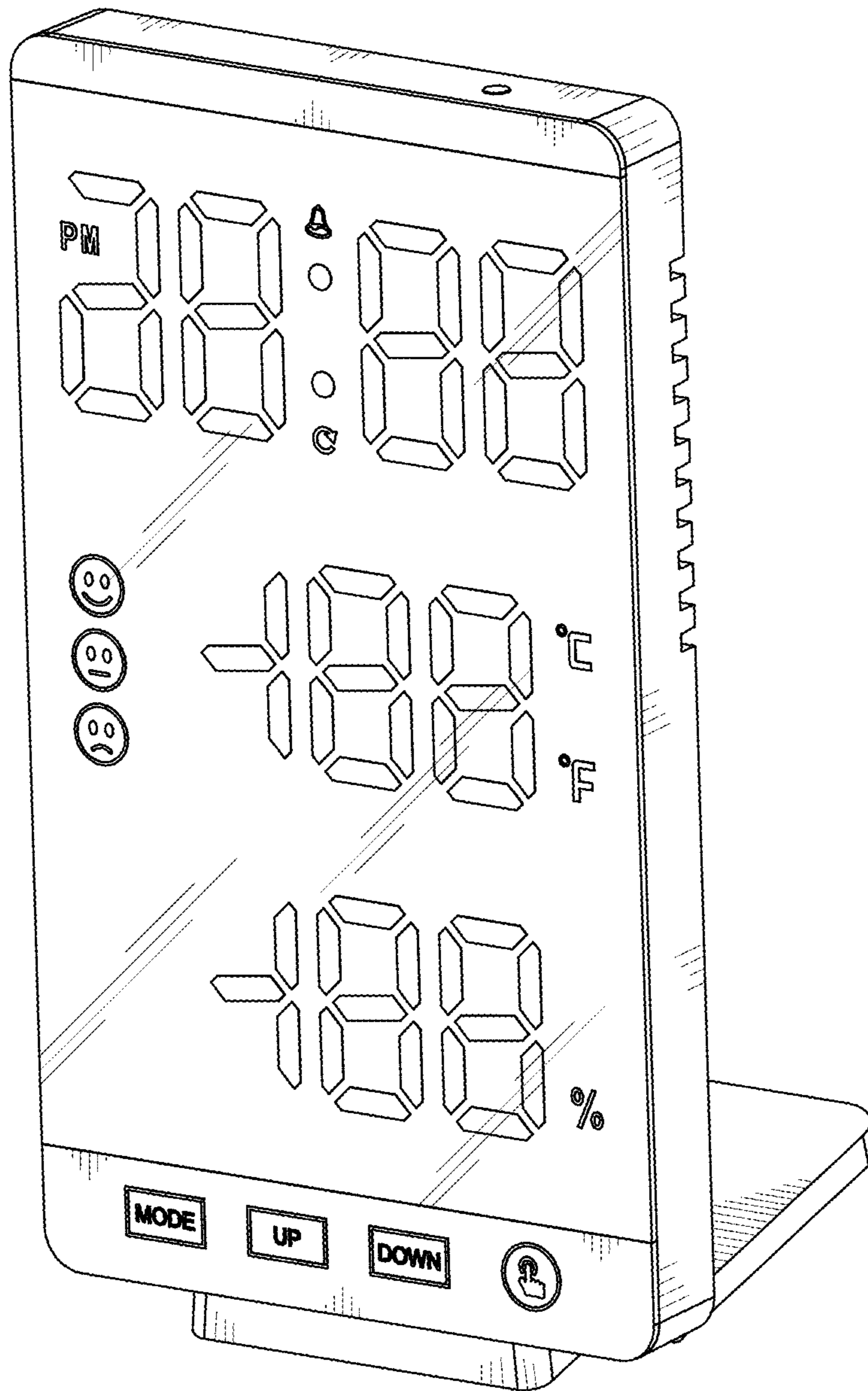


FIG. 1

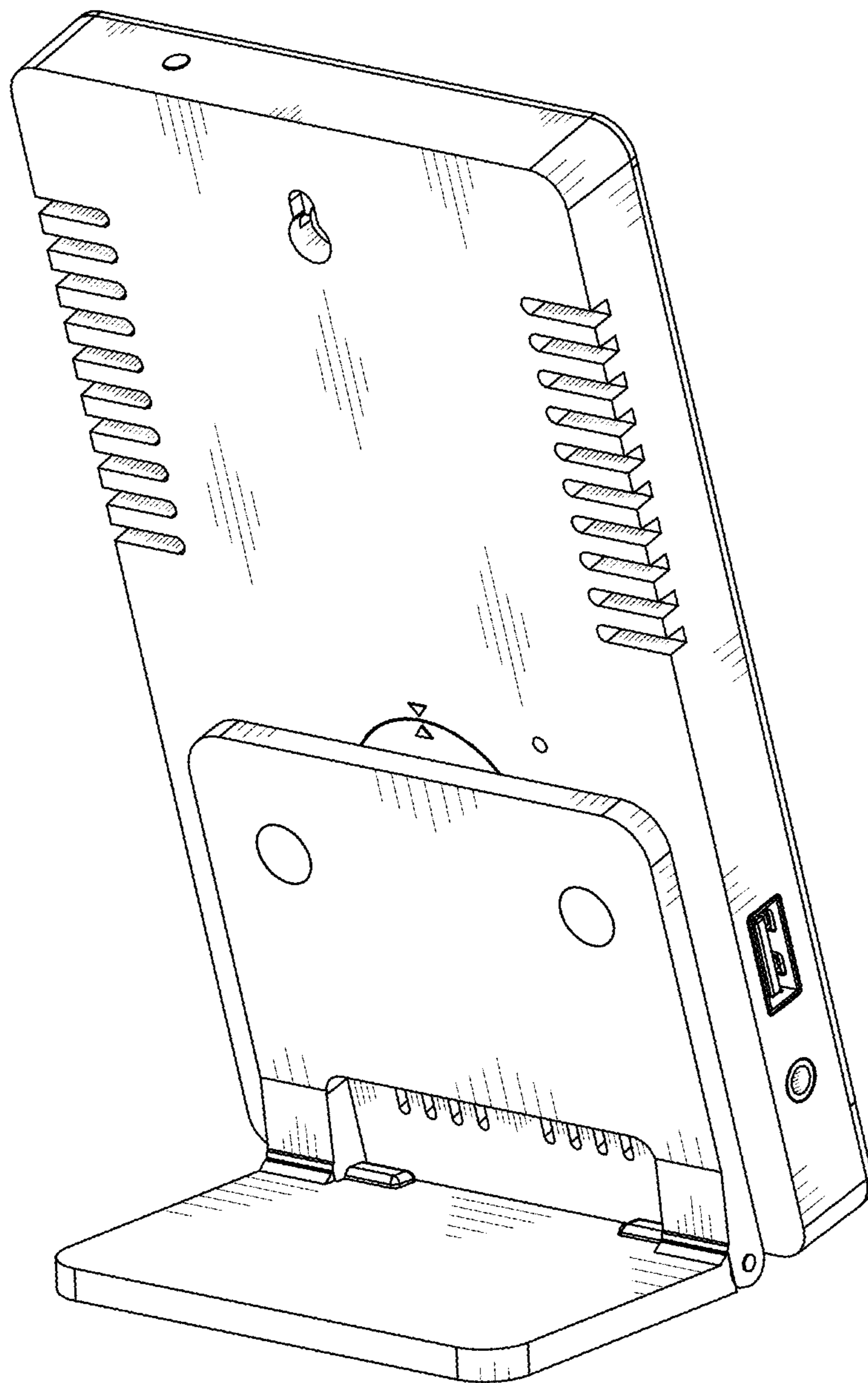


FIG. 2

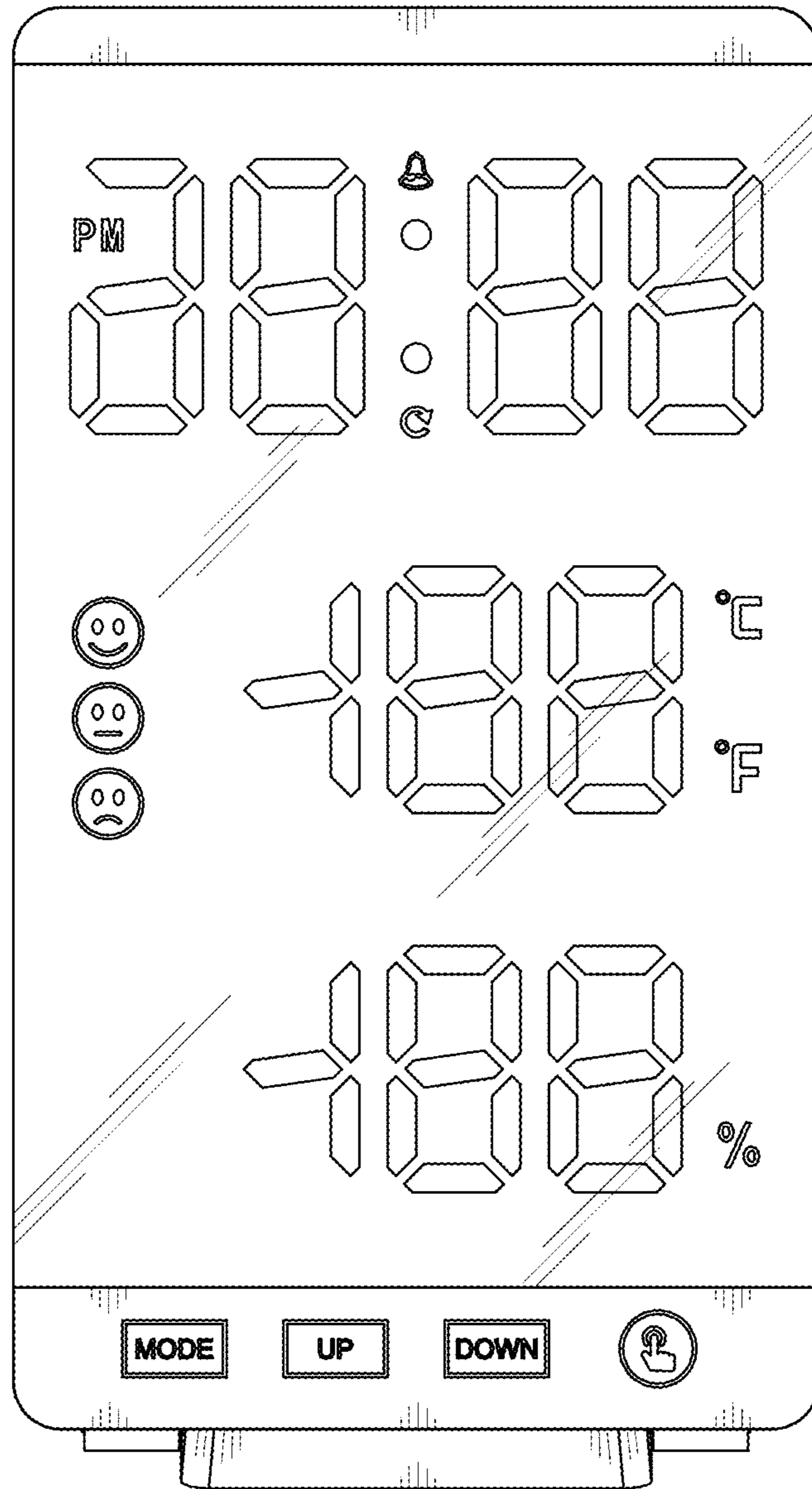


FIG. 3

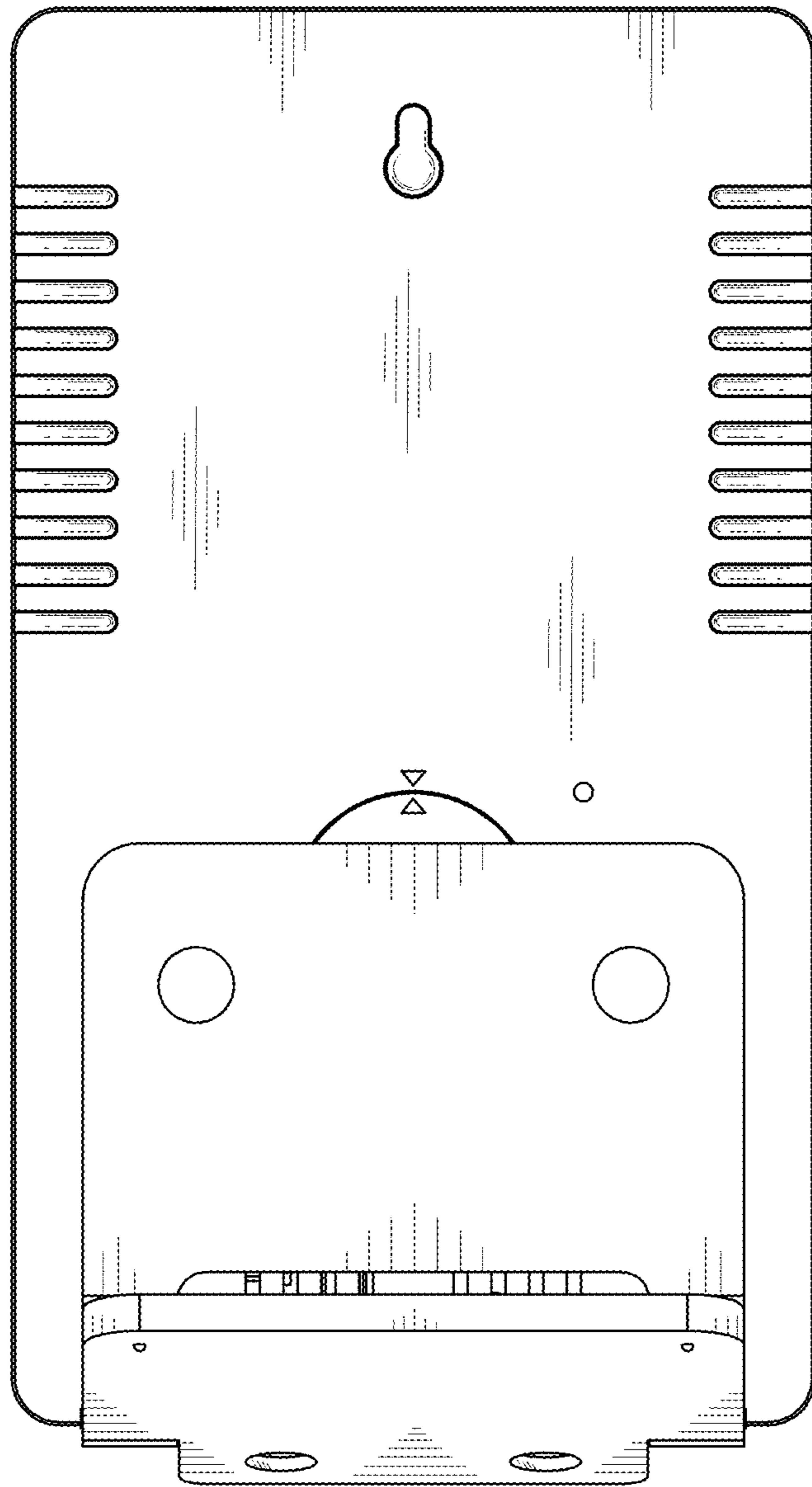


FIG. 4

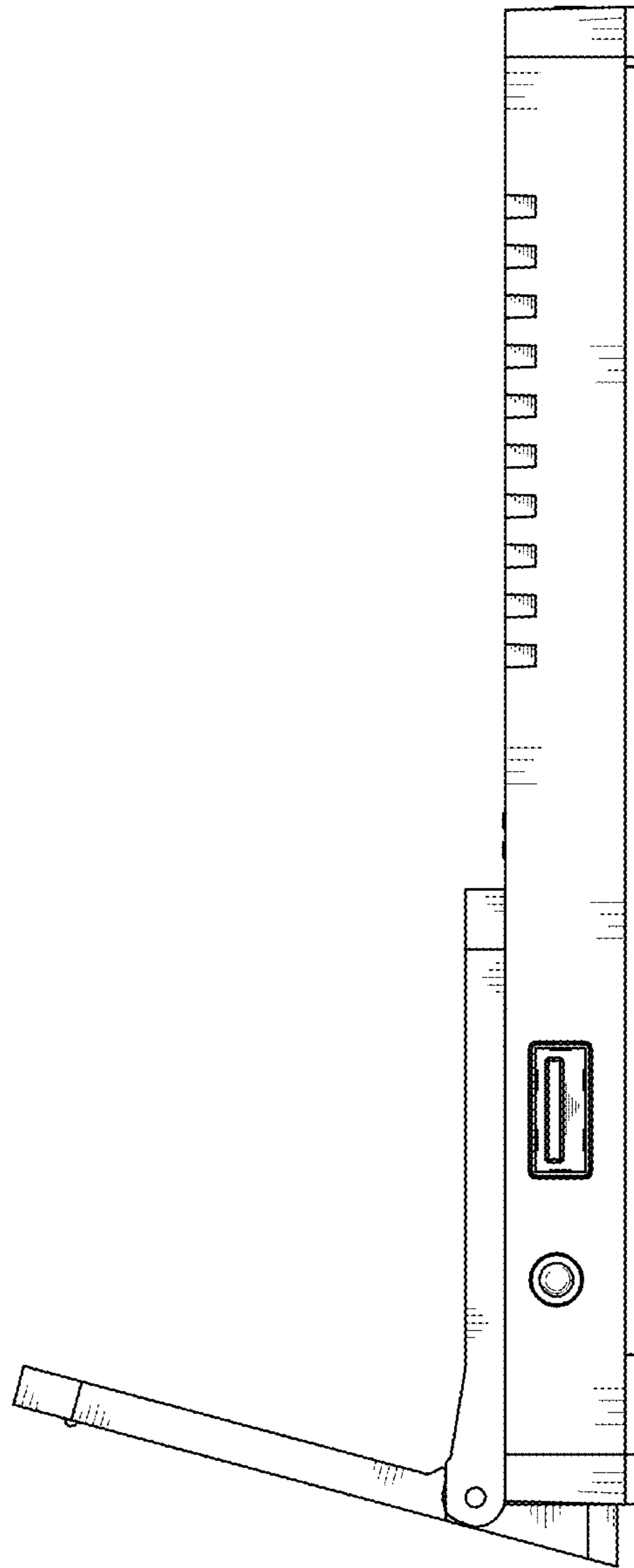


FIG. 5

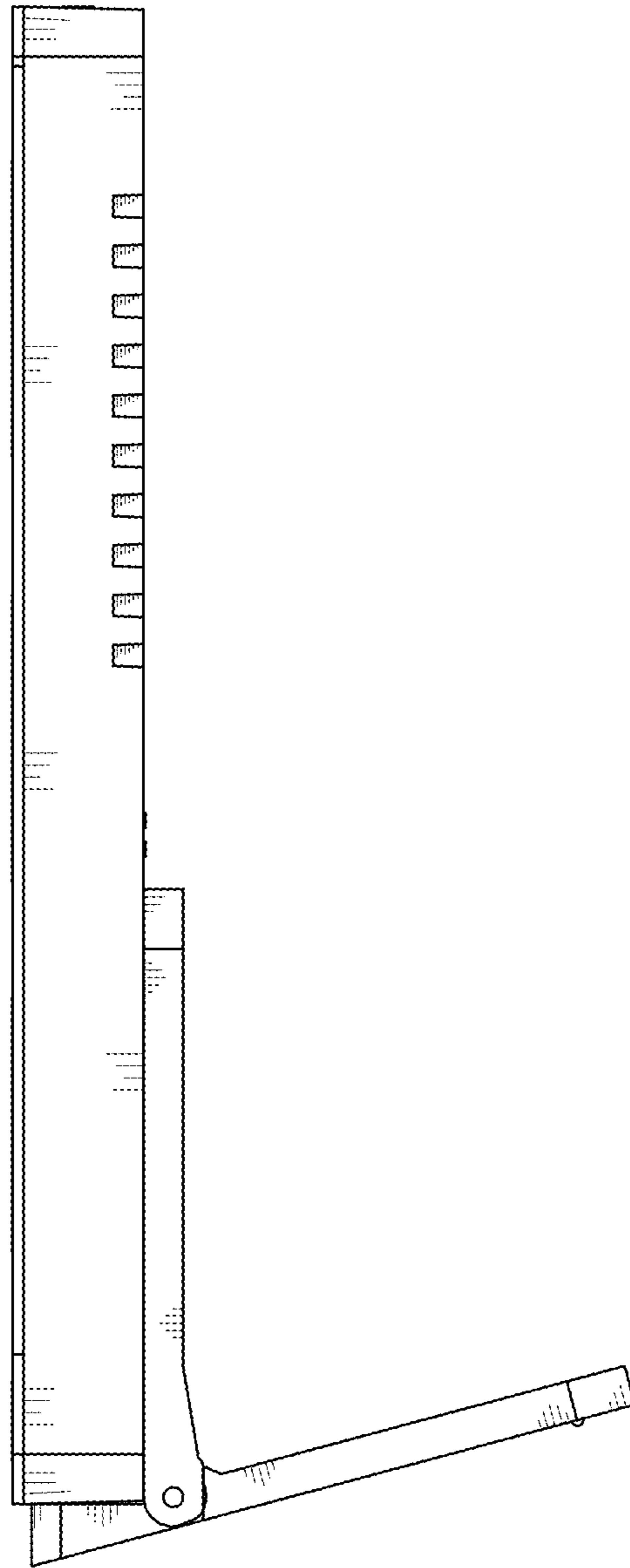


FIG. 6



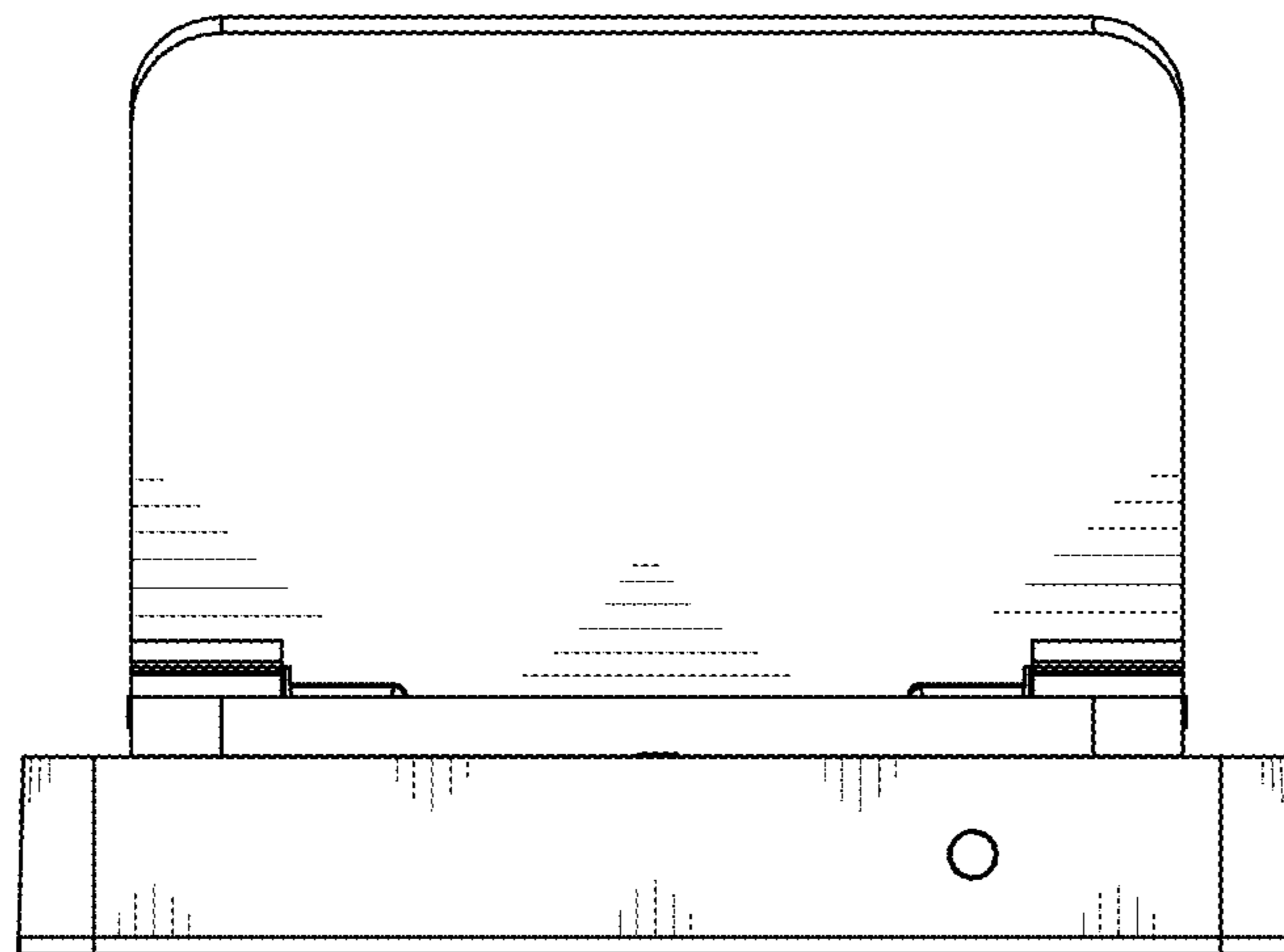


FIG. 7

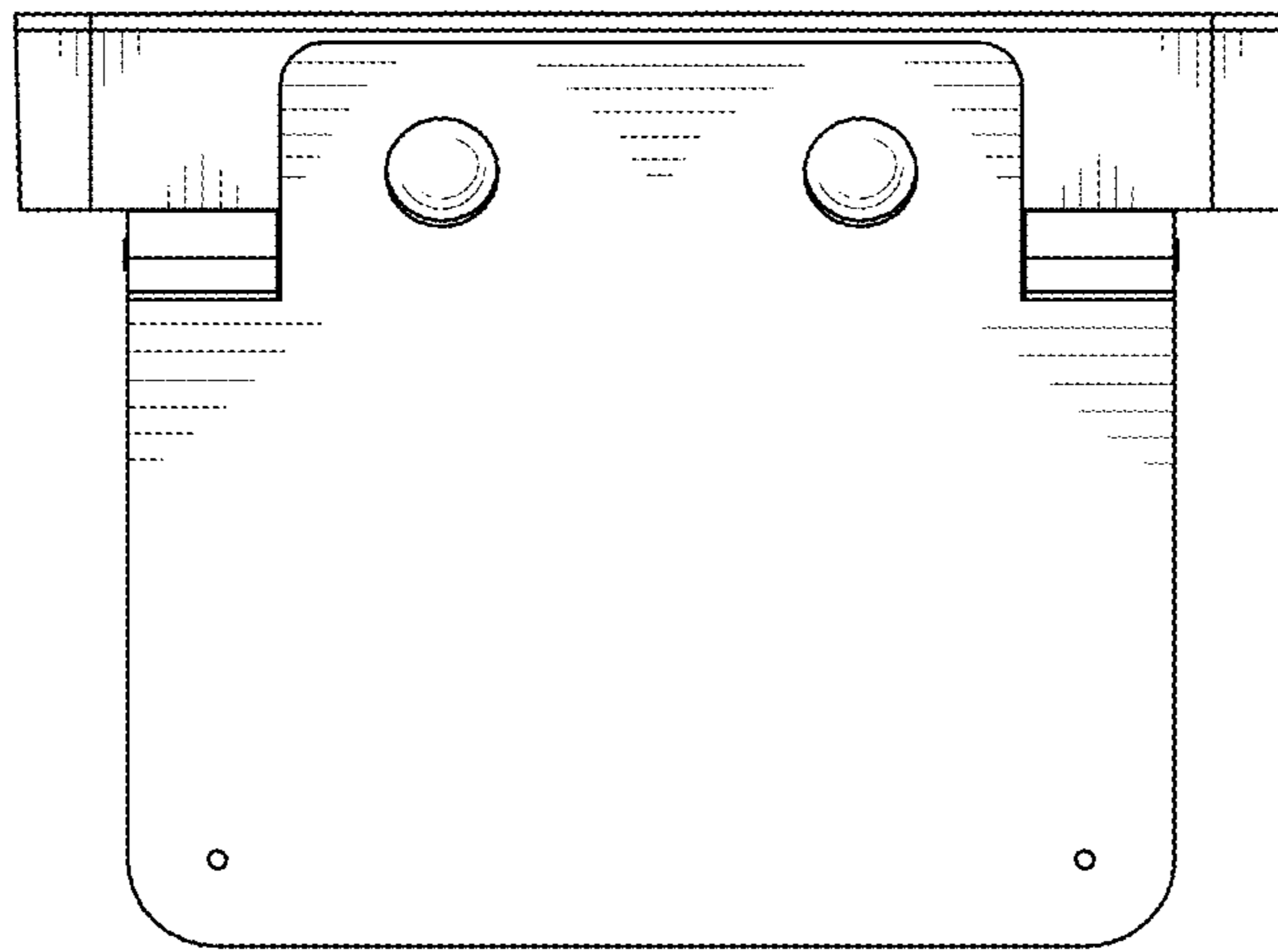


FIG. 8