



US00D895439S

(12) **United States Design Patent**  
**Meech et al.**

(10) **Patent No.:** **US D895,439 S**

(45) **Date of Patent:** **\*\* Sep. 8, 2020**

(54) **PACKAGE**

(71) Applicant: **The Gillette Company LLC**, Boston, MA (US)

(72) Inventors: **James Arthur Meech**, Sharon, MA (US); **Richard Kevin Sennett**, Abington, MA (US); **Michael Robert Kraine**, Newton, MA (US)

(73) Assignee: **The Gillette Company LLC**, Boston, MA (US)

(\*\*) Term: **15 Years**

(21) Appl. No.: **29/642,552**

(22) Filed: **Mar. 30, 2018**

(51) **LOC (12) Cl.** ..... **09-03**

(52) **U.S. Cl.**  
USPC ..... **D9/748**

(58) **Field of Classification Search**  
USPC ..... D9/748, 735, 737, 749; 206/208, 223, 206/228, 349, 351; 76/DIG. 8, DIG. 9  
CPC ..... A45D 27/22; A45D 27/225; A45D 27/29; A61B 50/30; A61B 50/33; A61B 2050/3006; B65D 25/10; B65D 77/26; B65D 1/36; B65D 21/0233; B65D 75/327; B65D 75/367; B65D 81/133  
See application file for complete search history.

(56) **References Cited**

**U.S. PATENT DOCUMENTS**

5,782,346	A *	7/1998	Gray	.....	B65D 81/025
					206/228
D399,421	S *	10/1998	Gray	.....	D9/749
6,154,360	A	11/2000	Kaczeus, Sr. et al.		
6,400,247	B1	6/2002	King		
D511,105	S *	11/2005	Dominesey	.....	D9/748

D558,571	S	1/2008	Andre et al.		
D561,610	S *	2/2008	Renaldi	.....	D9/749
D576,893	S	9/2008	Iwasaki		
D620,795	S	8/2010	Andre et al.		
7,878,326	B2	2/2011	Andre et al.		
D637,076	S	5/2011	Akana et al.		
D642,048	S *	7/2011	Ocampo	.....	D9/424
D661,188	S *	6/2012	Fahy	.....	D9/456
D709,364	S	7/2014	Olsson et al.		
D709,767	S *	7/2014	Morrison	.....	D9/456
D713,739	S *	9/2014	Akana	.....	D9/721
D715,148	S *	10/2014	Kuo	.....	D9/456
D723,920	S *	3/2015	Wakeham	.....	D9/456
8,997,984	B2	4/2015	Kuo et al.		
D860,813	S *	9/2019	Swatty	.....	D9/749
D883,802	S *	5/2020	Meech	.....	D9/748

\* cited by examiner

*Primary Examiner* — W. A. Teddy Falloway

(74) *Attorney, Agent, or Firm* — John M. Lipchitz

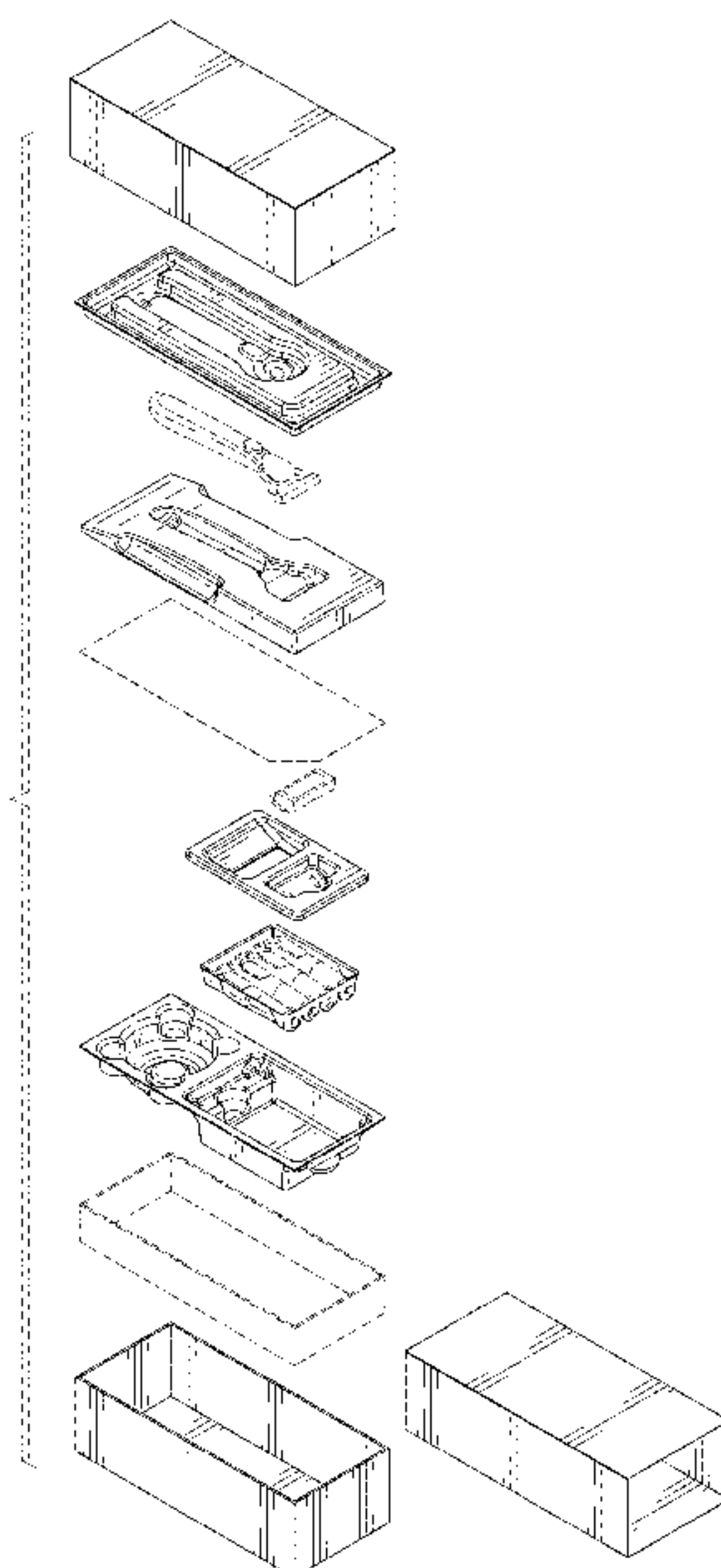
(57) **CLAIM**

The ornamental design for a package, as shown and described.

**DESCRIPTION**

FIG. 1 is an exploded, front perspective view of a package showing our new design;  
FIG. 2 is a exploded front view thereof;  
FIG. 3 is a exploded rear view thereof;  
FIG. 4 is a exploded right side view thereof;  
FIG. 5 is a exploded left side view thereof;  
FIG. 6 is a exploded top view thereof;  
FIG. 7 is a exploded bottom view thereof; and,  
FIG. 8 is a exploded bottom perspective view thereof.  
The broken lines shown illustrate portions of the package and the environmental structure. The broken lines form no part of the claimed design.

**1 Claim, 6 Drawing Sheets**



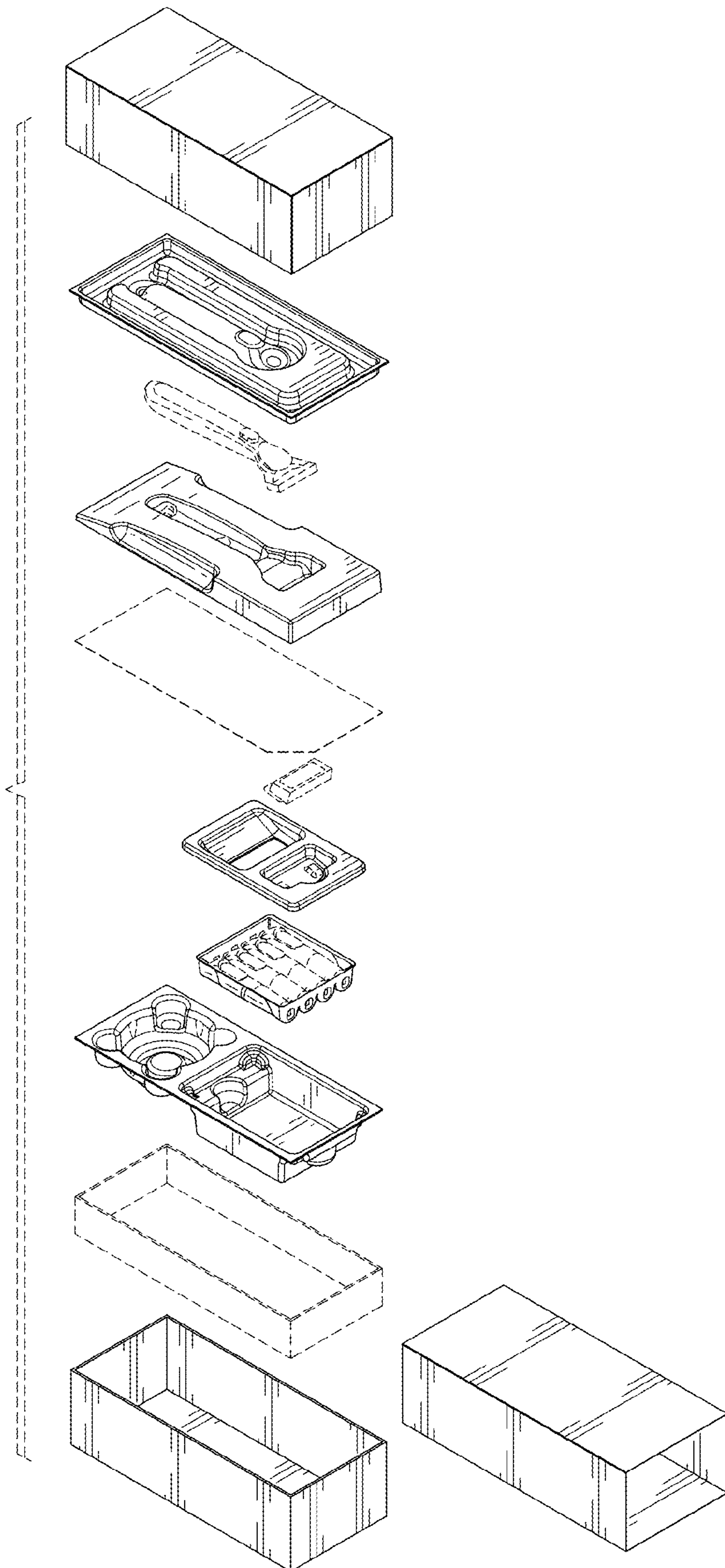


FIG. 1

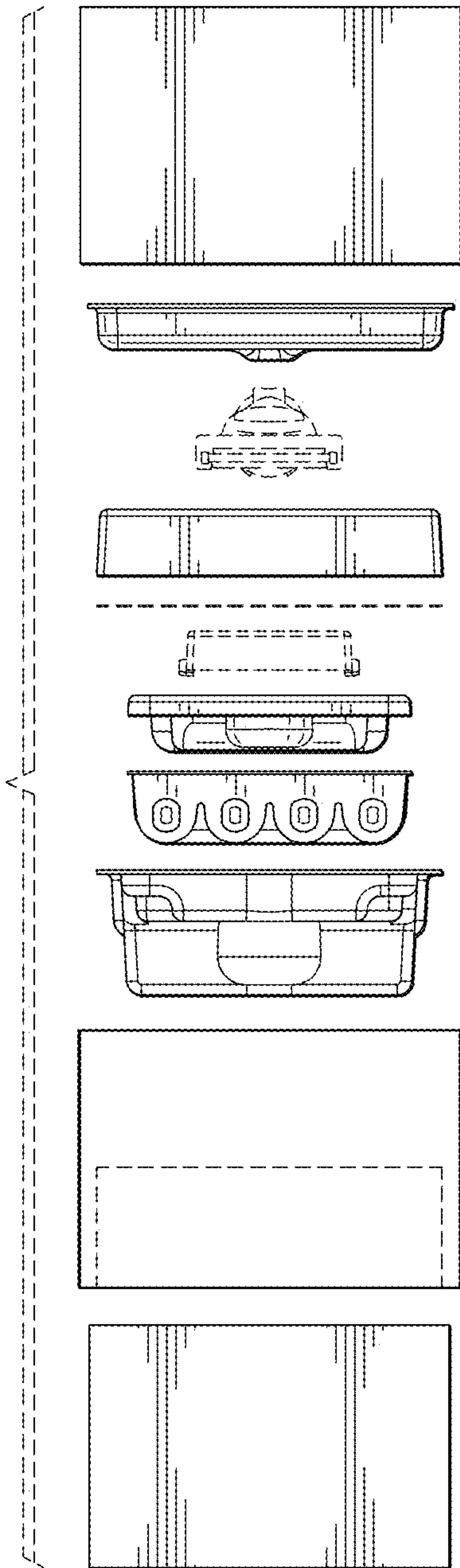


FIG. 2

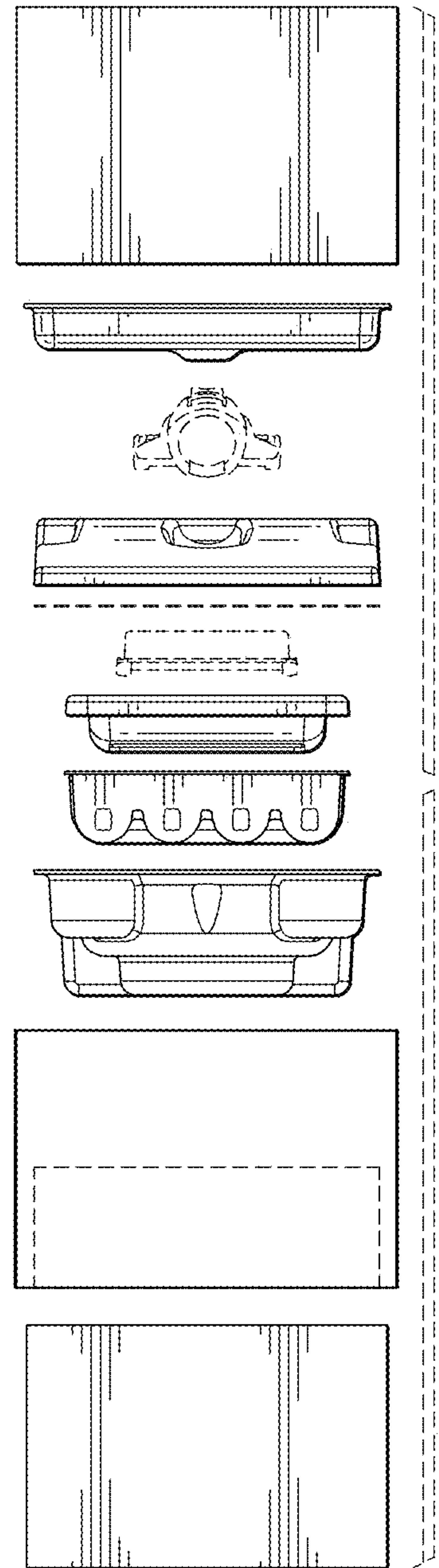


FIG. 3

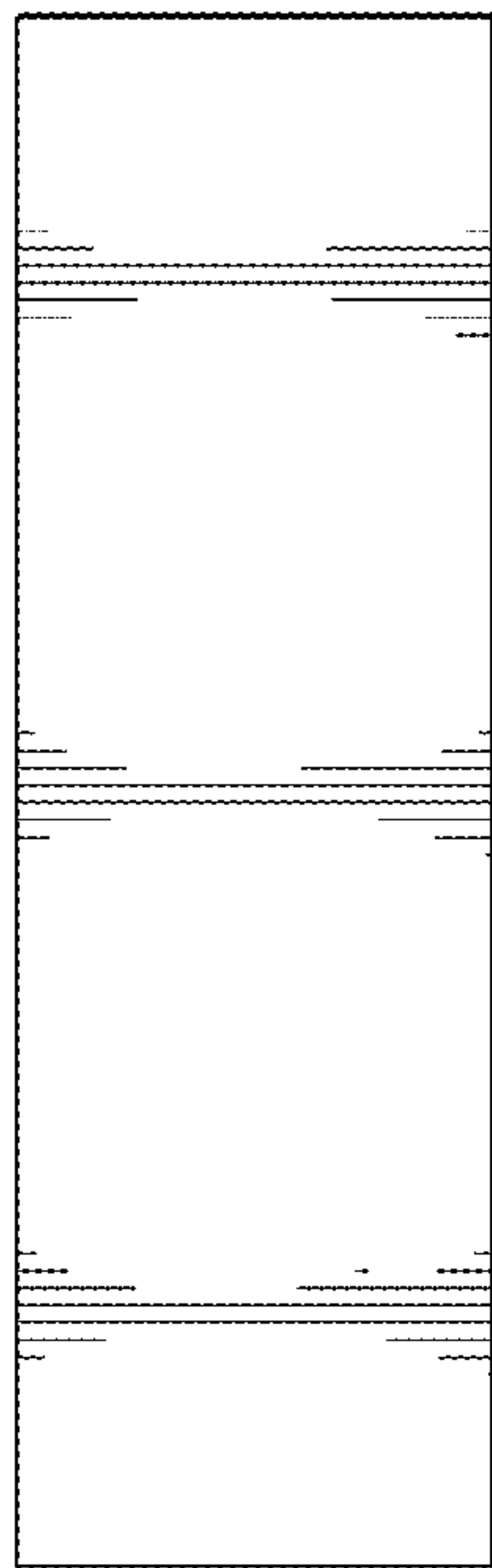
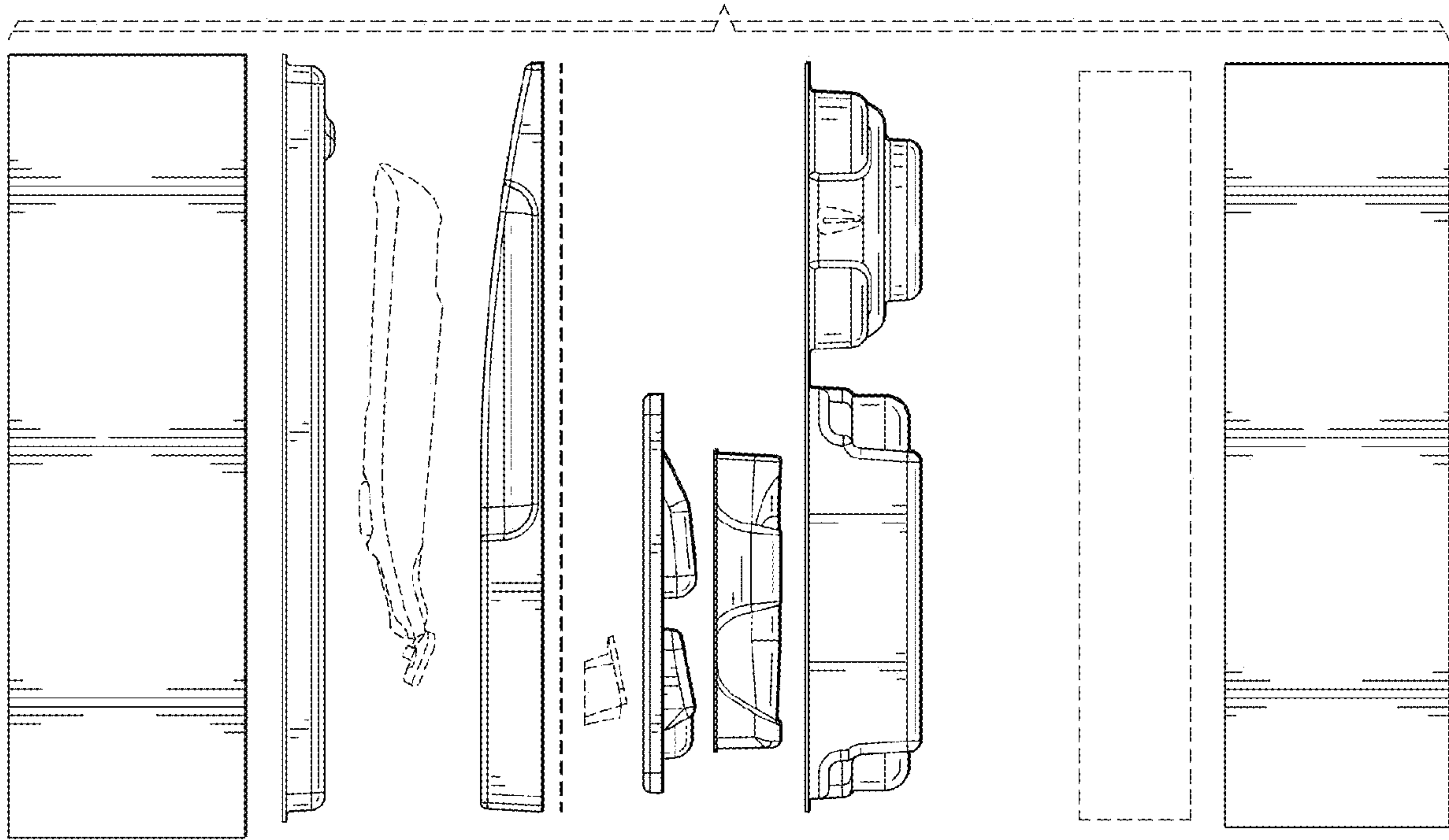


FIG. 4



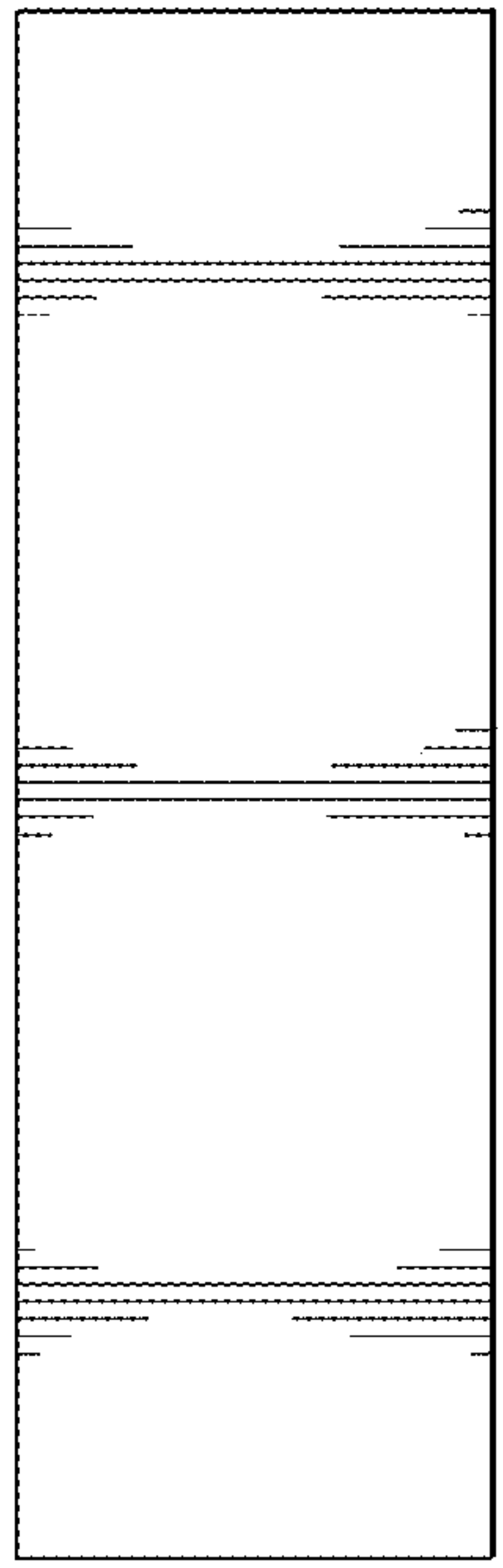
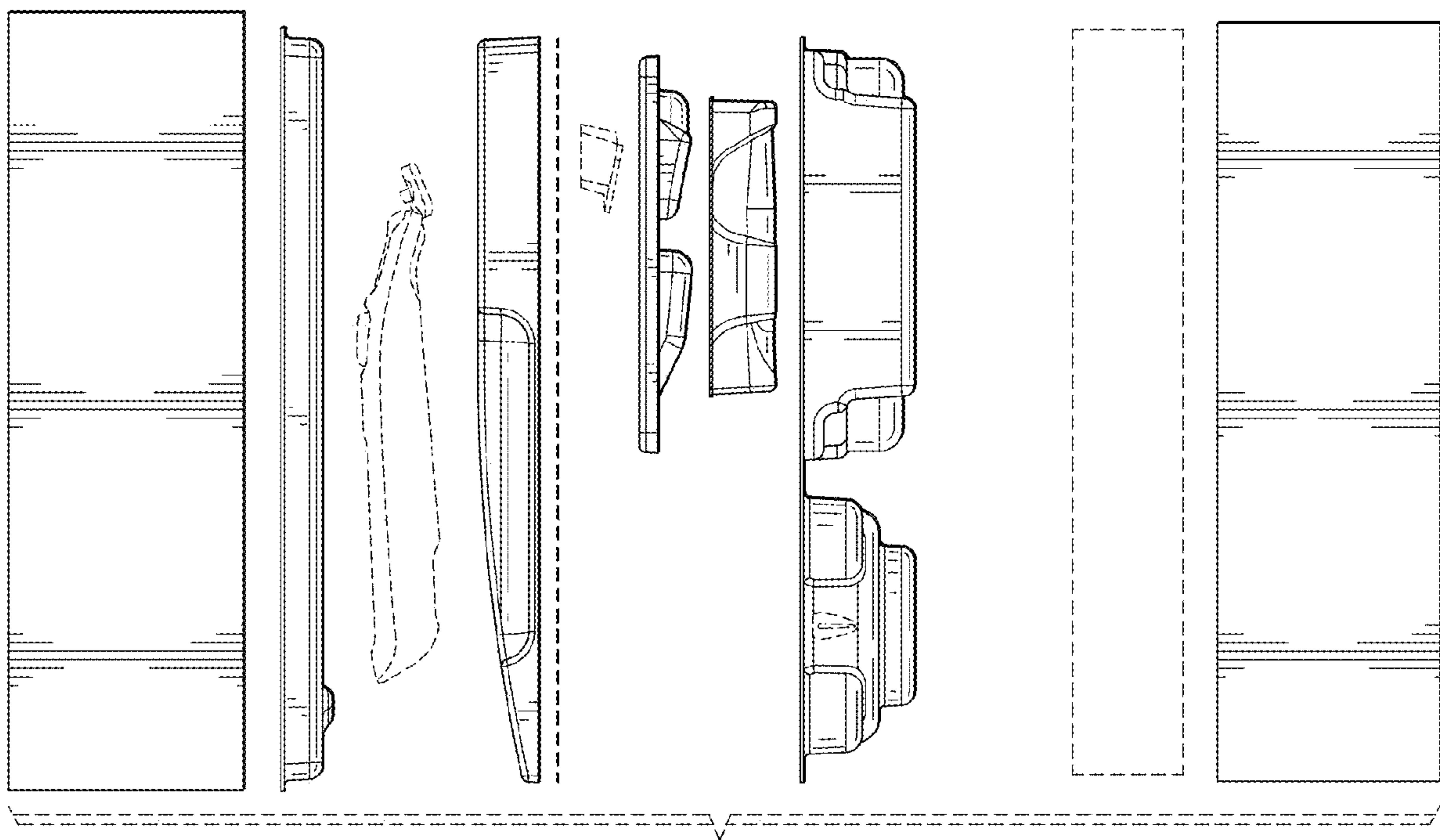


FIG. 5

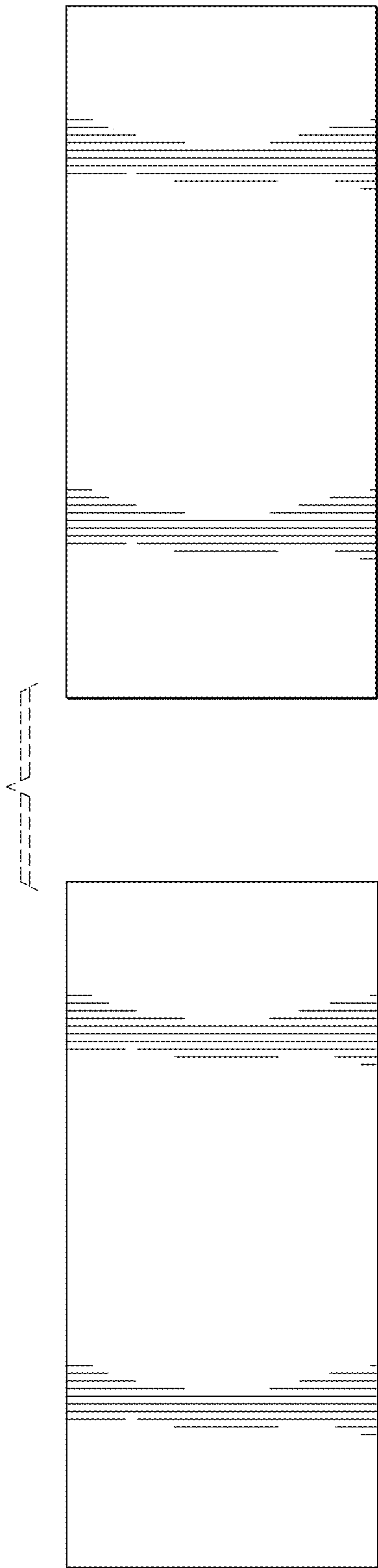


FIG. 6

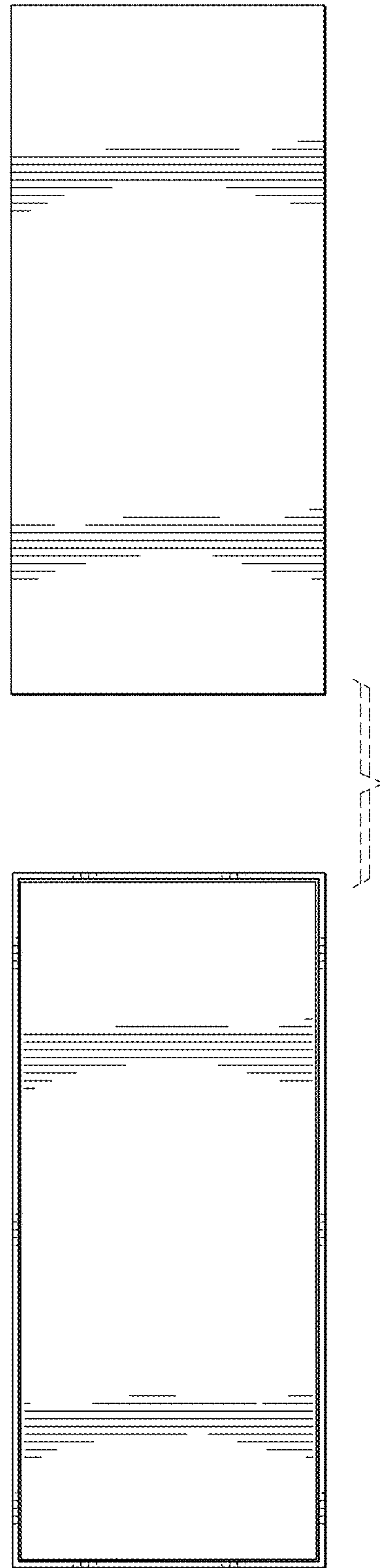


FIG. 7

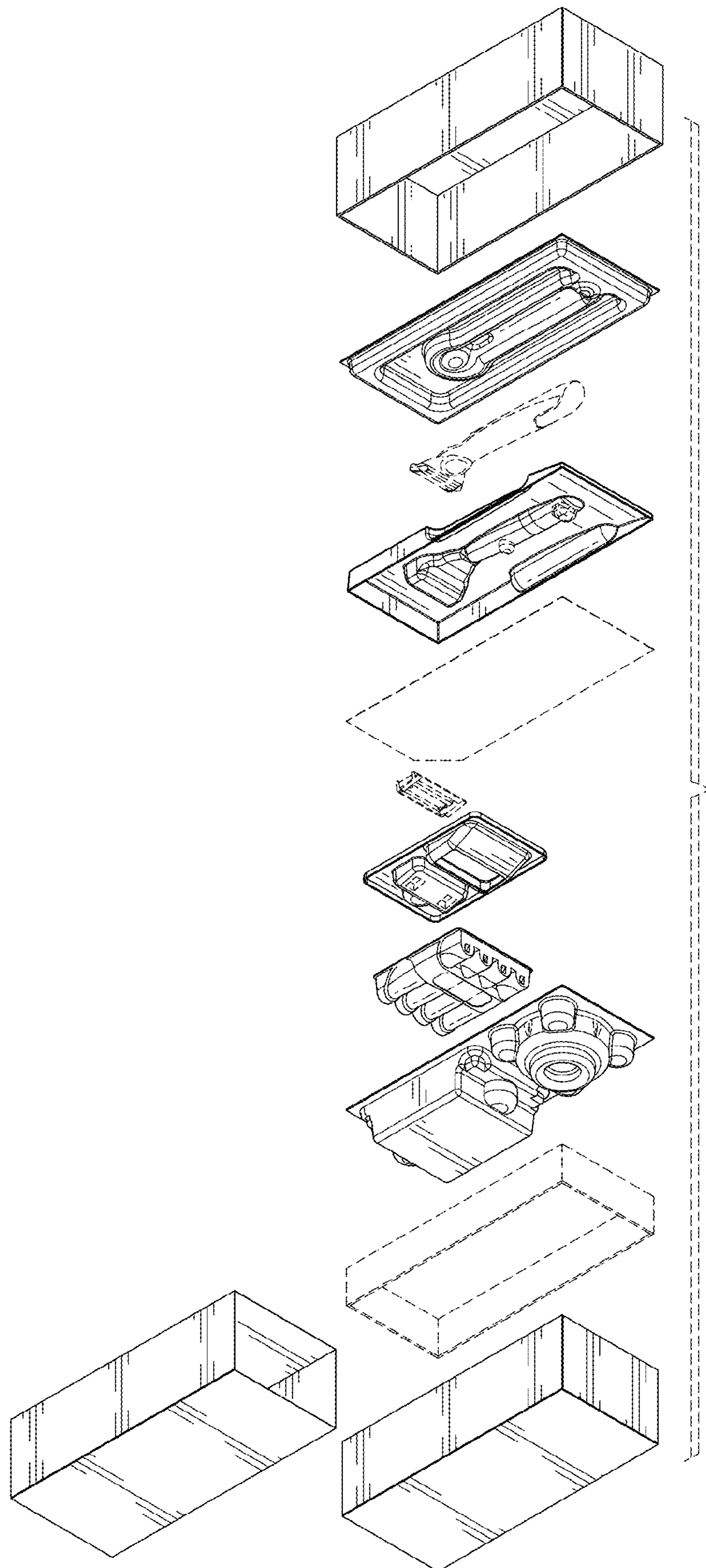


FIG. 8