



US00D895429S

(12) **United States Design Patent**
Foote

(10) **Patent No.:** **US D895,429 S**

(45) **Date of Patent:** **** Sep. 8, 2020**

(54) **HEXAGONAL JAR**

(71) Applicant: **PACIFIC PRODUCT SOLUTIONS,**
Littleton, CO (US)

(72) Inventor: **Stephanie Foote,** Littleton, CO (US)

(73) Assignee: **Pacific Product Solutions,** Littleton,
CO (US)

(**) Term: **15 Years**

(21) Appl. No.: **29/685,763**

(22) Filed: **Mar. 29, 2019**

Related U.S. Application Data

(63) Continuation of application No. 29/672,748, filed on
Dec. 7, 2018.

(51) **LOC (12) Cl.** **09-01**

(52) **U.S. Cl.**
USPC **D9/559; D9/435**

(58) **Field of Classification Search**
USPC D9/414, 424, 430, 434-435, 444-445,
D9/444-445, 516, 529, 559, 574, 715;
D3/203.2; D28/77, 85-86
CPC B65D 1/00; B65D 1/02; B65D 1/0223;
B65D 23/00; B65D 51/32; B65D
2501/00; B65D 2501/0009; B65D
2501/0081

See application file for complete search history.

(56) **References Cited**

U.S. PATENT DOCUMENTS

D285,732 S * 9/1986 Holloway D28/85
4,832,220 A * 5/1989 Quenessen B65D 41/0471
215/331
D302,873 S * 8/1989 Sayn Wittgenstein D28/85
D324,496 S * 3/1992 Poandl D9/454

D734,894 S * 7/2015 Schlatter D28/76
D756,037 S * 5/2016 Schlatter D28/85
D778,502 S * 2/2017 Teller D28/85
D846,197 S * 4/2019 Apodaca D28/85
D849,530 S * 5/2019 Fremgen D9/430

OTHER PUBLICATIONS

“25PCS 3G Empty Hexagon Cosmetic Bottles-Clear Make Up Face
Cream Eye Shadow Nails Powder Storage Container Jar Pot With
Screw Cap(Color Random)” Amazon.com, Retrieved Jun. 7, 2020,
product review dated May 7, 2018, 7 pages, < [https://www.amazon.com/Hexagon-Cosmetic-Bottles-Clear-Storage-Containers/dp/B07477*](https://www.amazon.com/Hexagon-Cosmetic-Bottles-Clear-Storage-Containers/dp/B07477...)

* cited by examiner

Primary Examiner — Dana Meyrow

(74) *Attorney, Agent, or Firm* — Holzer Patel Drennan

(57) **CLAIM**

I claim the ornamental design for a hexagonal jar, as shown
and described.

DESCRIPTION

FIG. 1 is a perspective view of a hexagonal jar with a lid
portion shown attached to a base portion.

FIG. 2 is a side view of the hexagonal jar.

FIG. 3 is another perspective view thereof with the lid
portion shown detached from the base portion.

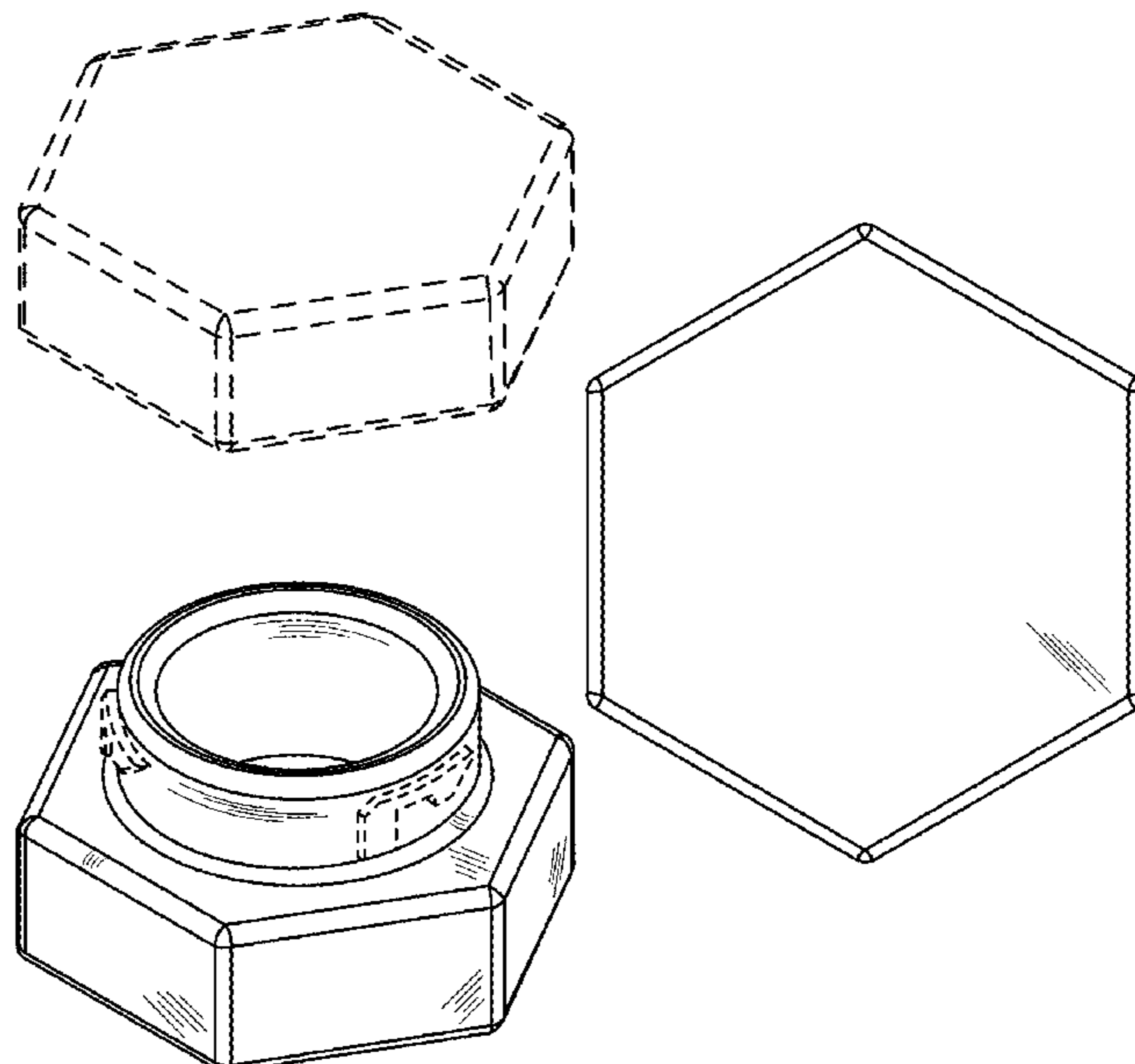
FIG. 4 is a side view of the base portion of the hexagonal jar.

FIG. 5 is a top view of the base portion of the hexagonal jar;
and,

FIG. 6 is a bottom view of the base portion of the hexagonal
jar.

The broken lines shown represent unclaimed subject matter
and form no part of the claimed design.

1 Claim, 6 Drawing Sheets



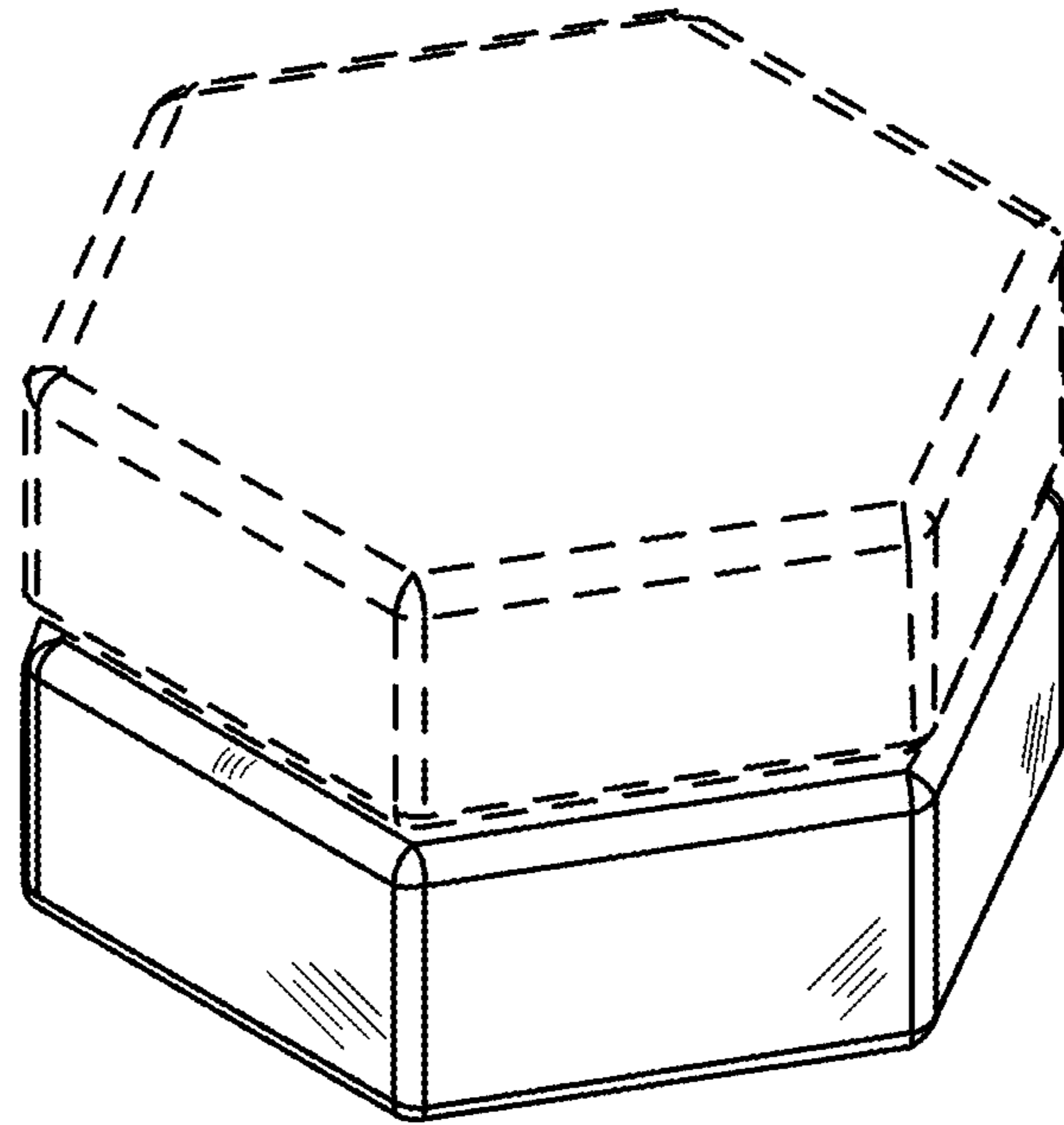


FIG. 1

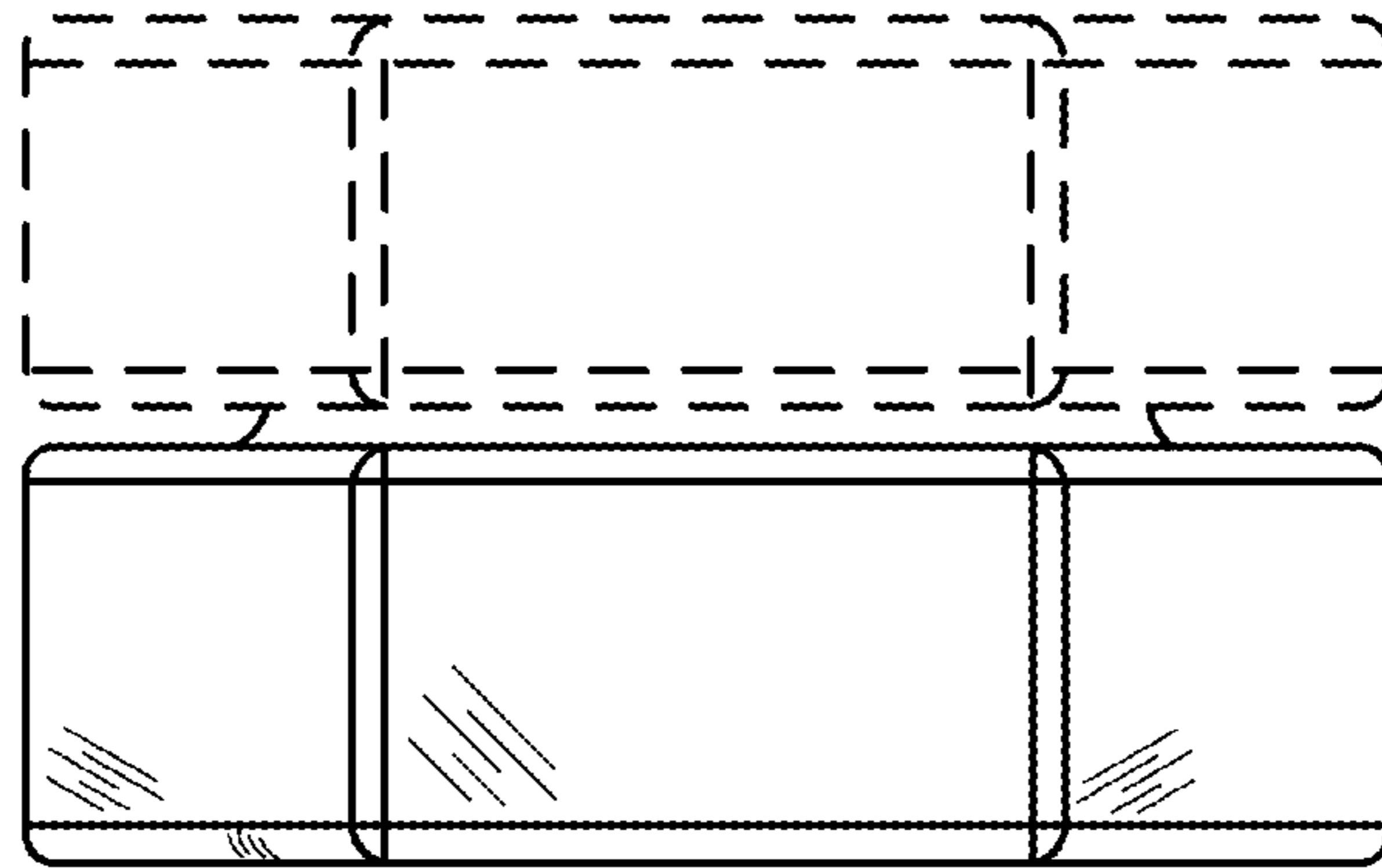


FIG. 2

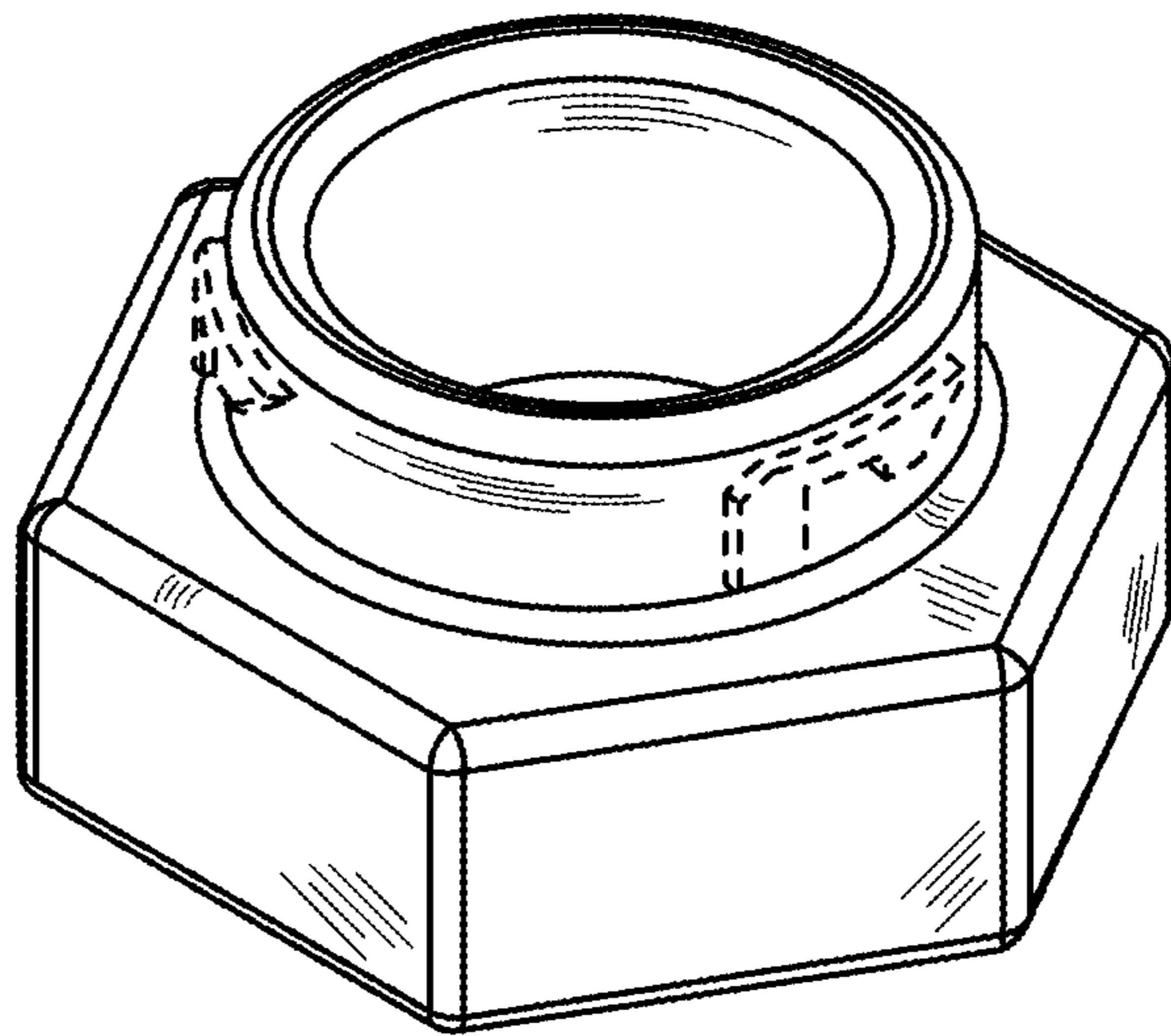
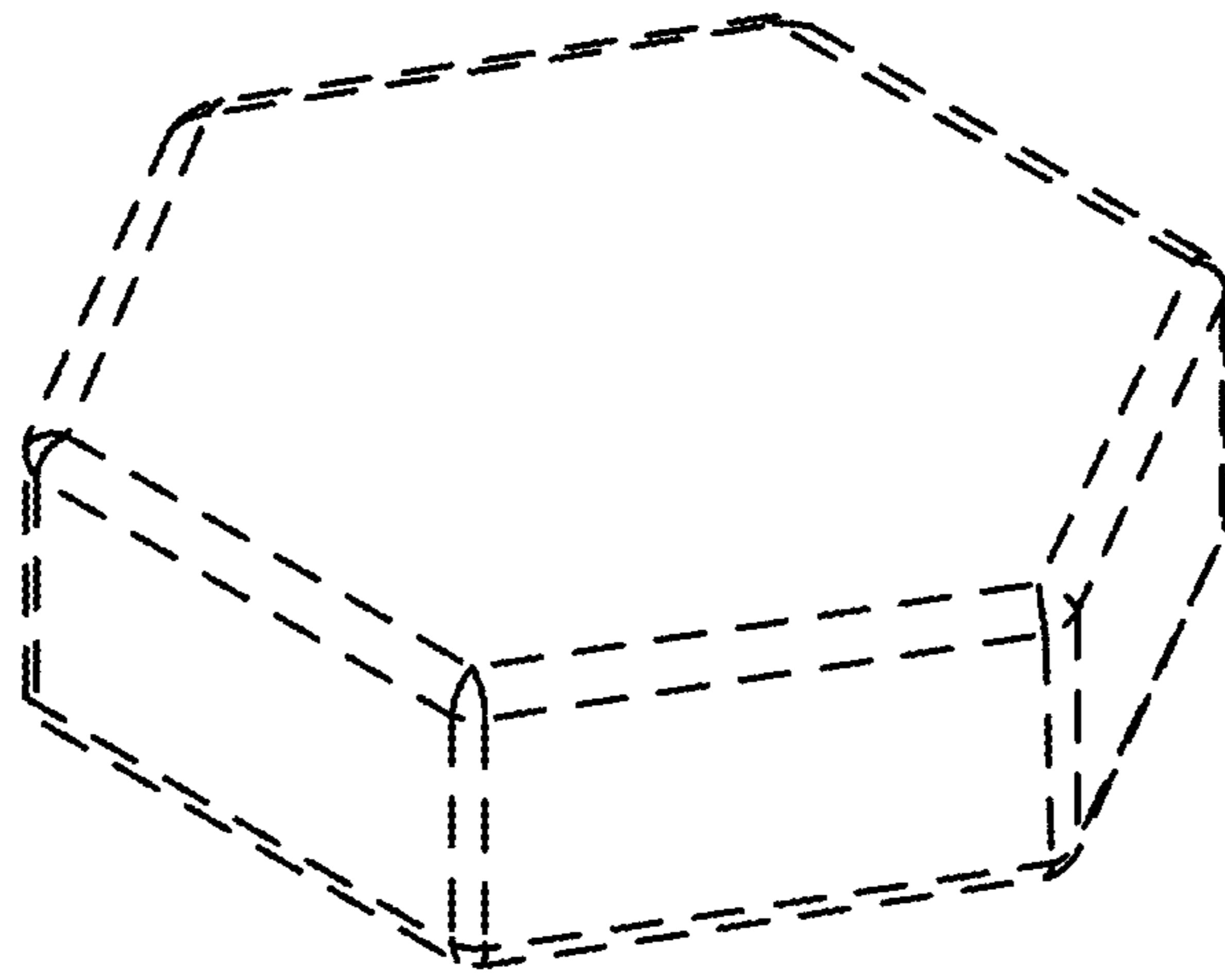


FIG. 3

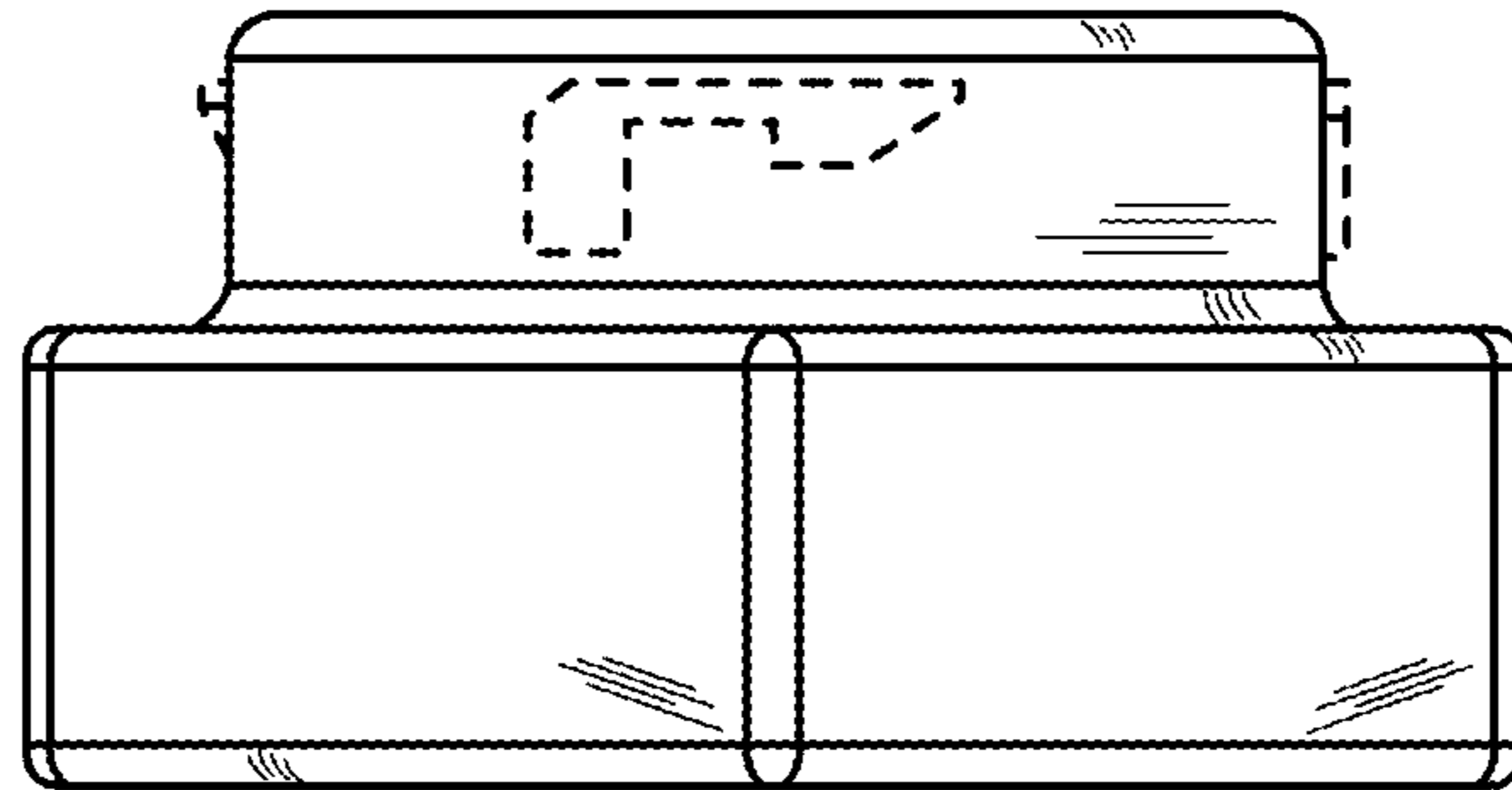


FIG. 4

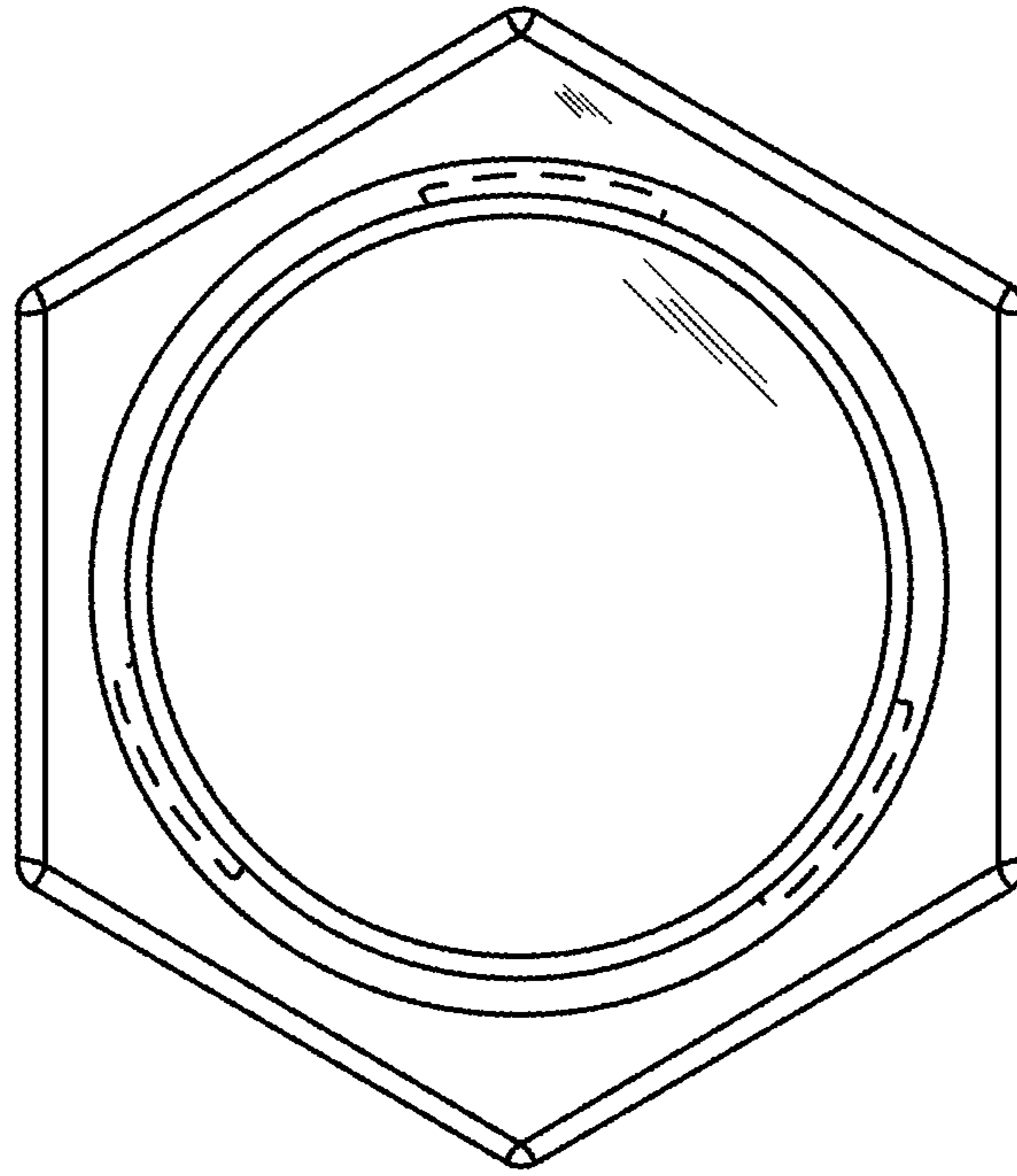


FIG. 5

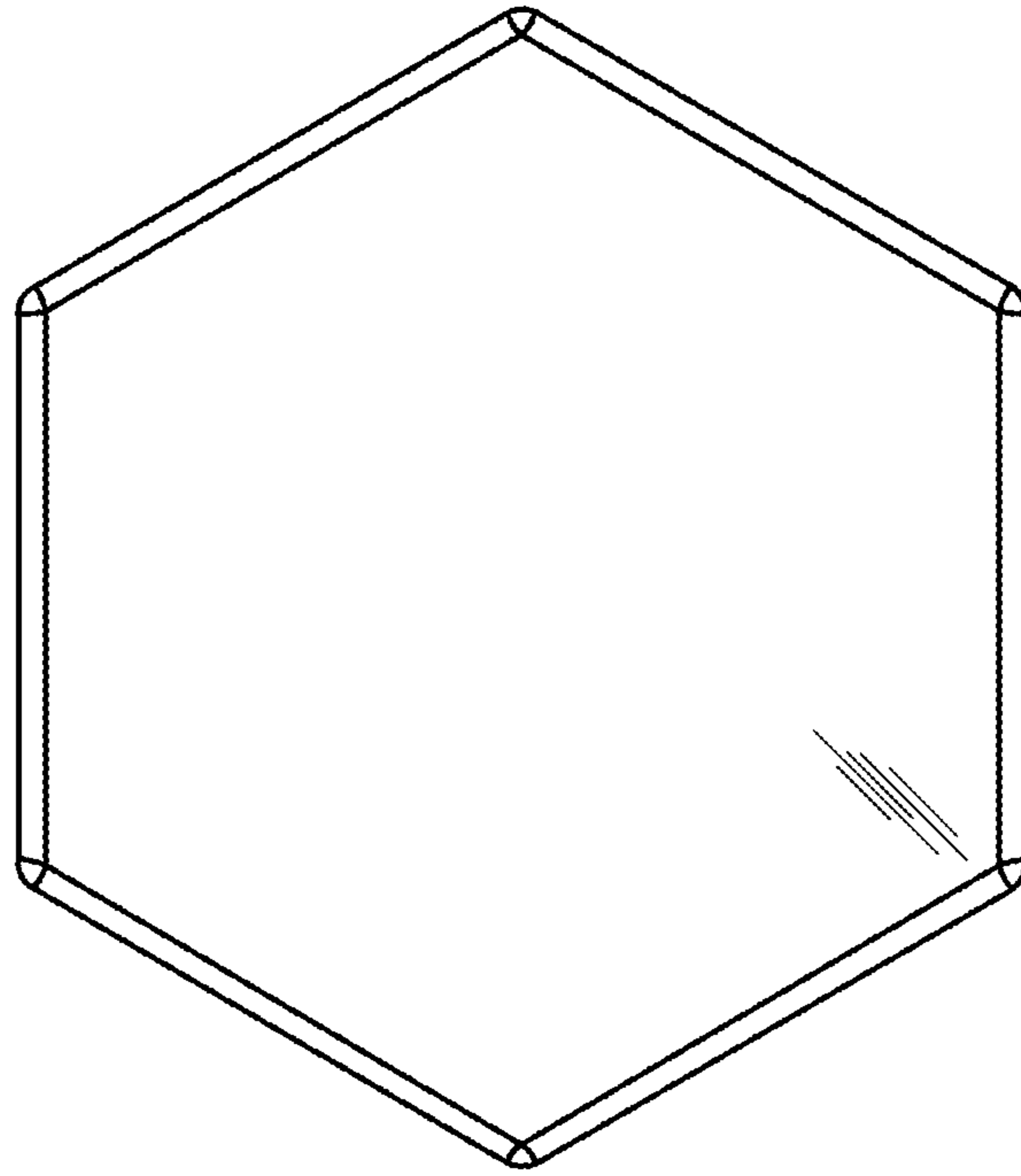


FIG. 6