



US00D895427S

(12) **United States Design Patent**
Foote

(10) **Patent No.:** **US D895,427 S**

(45) **Date of Patent:** **** Sep. 8, 2020**

(54) **HEXAGONAL JAR**

(71) Applicant: **PACIFIC PRODUCT SOLUTIONS,**
Littleton, CO (US)

(72) Inventor: **Stephanie Foote,** Littleton, CO (US)

(73) Assignee: **Pacific Product Solutions,** Littleton,
CO (US)

(**) Term: **15 Years**

(21) Appl. No.: **29/672,748**

(22) Filed: **Dec. 7, 2018**

(51) **LOC (12) Cl.** **09-01**

(52) **U.S. Cl.**
USPC **D9/529; D9/435; D9/559**

(58) **Field of Classification Search**
USPC D9/414, 424, 430, 434-435, 444-445,
D9/516, 529, 559, 574, 715; D3/203.2;
D28/77, 85-86
CPC B65D 1/00; B65D 1/02; B65D 1/0223;
B65D 23/00; B65D 51/32; B65D
2501/00; B65D 2501/0009; B65D
2501/0081

See application file for complete search history.

(56) **References Cited**

U.S. PATENT DOCUMENTS

D285,732 S * 9/1986 Holloway D28/85
4,832,220 A * 5/1989 Quenessen B65D 41/0471
215/331
D302,873 S * 8/1989 Sayn Wittgenstein D28/85
D324,496 S * 3/1992 Poandl D9/454
D734,894 S * 7/2015 Schlatter D28/76
D756,037 S * 5/2016 Schlatter D28/85

D778,502 S * 2/2017 Teller D28/85
D846,197 S * 4/2019 Apodaca D28/85
D849,530 S * 5/2019 Fremgen D9/430

OTHER PUBLICATIONS

“25PCS 3G Empty Hexagon Cosmetic Bottles—Clear Make Up Face Cream Eye Shadow Nails Powder Storage Container Jar Pot With Screw Cap(Color Random)” Amazon.com, Retrieved Jun. 7, 2020, product review dated May 7, 2018, 7 pages, < <https://www.amazon.com/Hexagon-Cosmetic-Bottles-Clear-Storage-Containers/dp/B07477...> *

* cited by examiner

Primary Examiner — Dana Meyrow

(74) *Attorney, Agent, or Firm* — Holzer Patel Drennan

(57) **CLAIM**

I claim the ornamental design for a hexagonal jar, as shown and described.

DESCRIPTION

FIG. 1 is a perspective view of a hexagonal jar with a lid portion shown attached to a base portion.

FIG. 2 is a side view of the hexagonal jar.

FIG. 3 is another perspective view thereof with the lid portion shown detached from the base portion.

FIG. 4 is a side view of the lid portion of the hexagonal jar.

FIG. 5 is top view of the lid portion of the hexagonal jar.

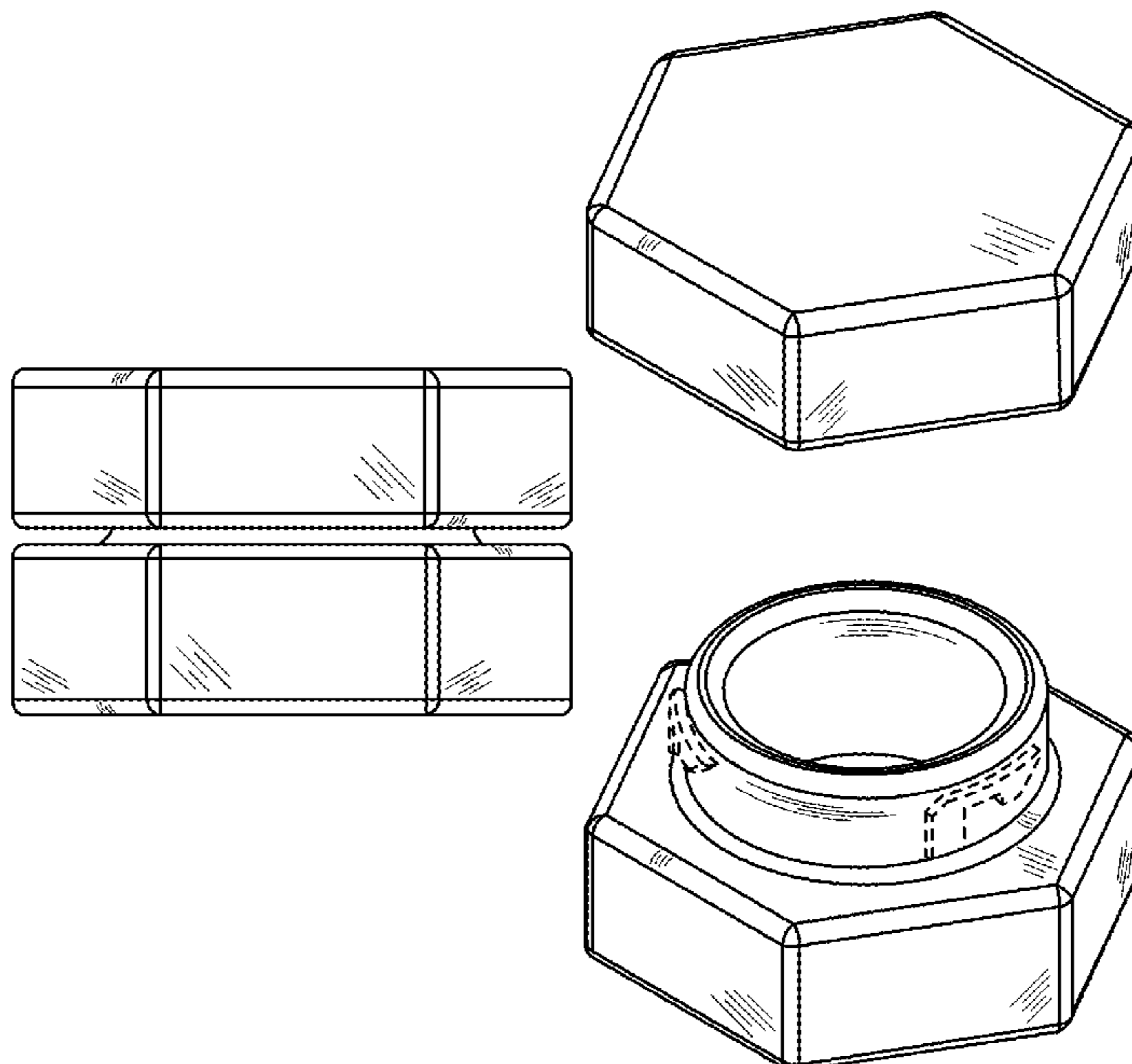
FIG. 6 is a side view of the base portion of the hexagonal jar.

FIG. 7 is a top view of the base portion of the hexagonal jar; and,

FIG. 8 is a bottom view of the base portion of the hexagonal jar.

The broken lines shown represent unclaimed subject matter and form no part of the claimed design.

1 Claim, 8 Drawing Sheets



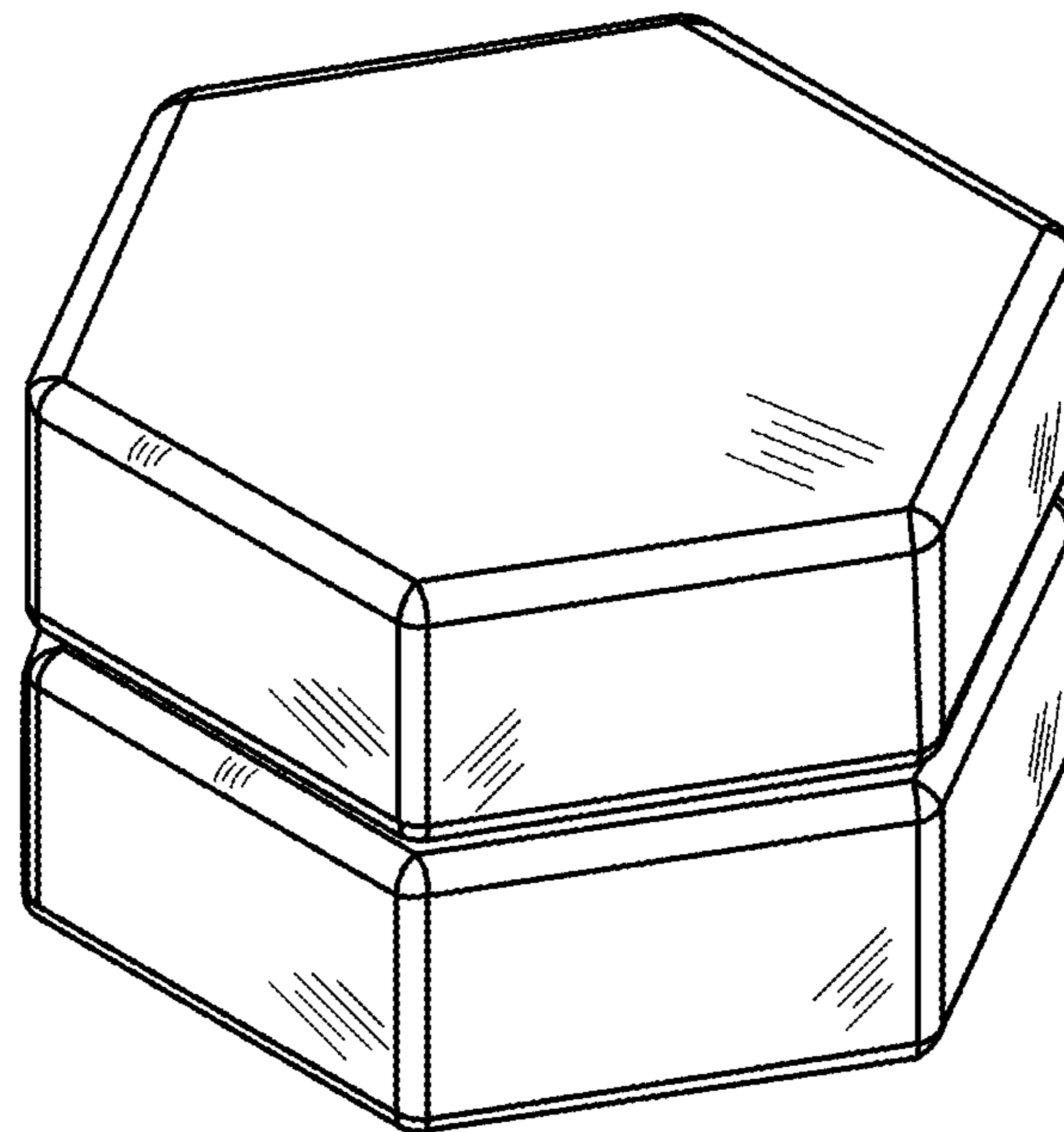


FIG. 1

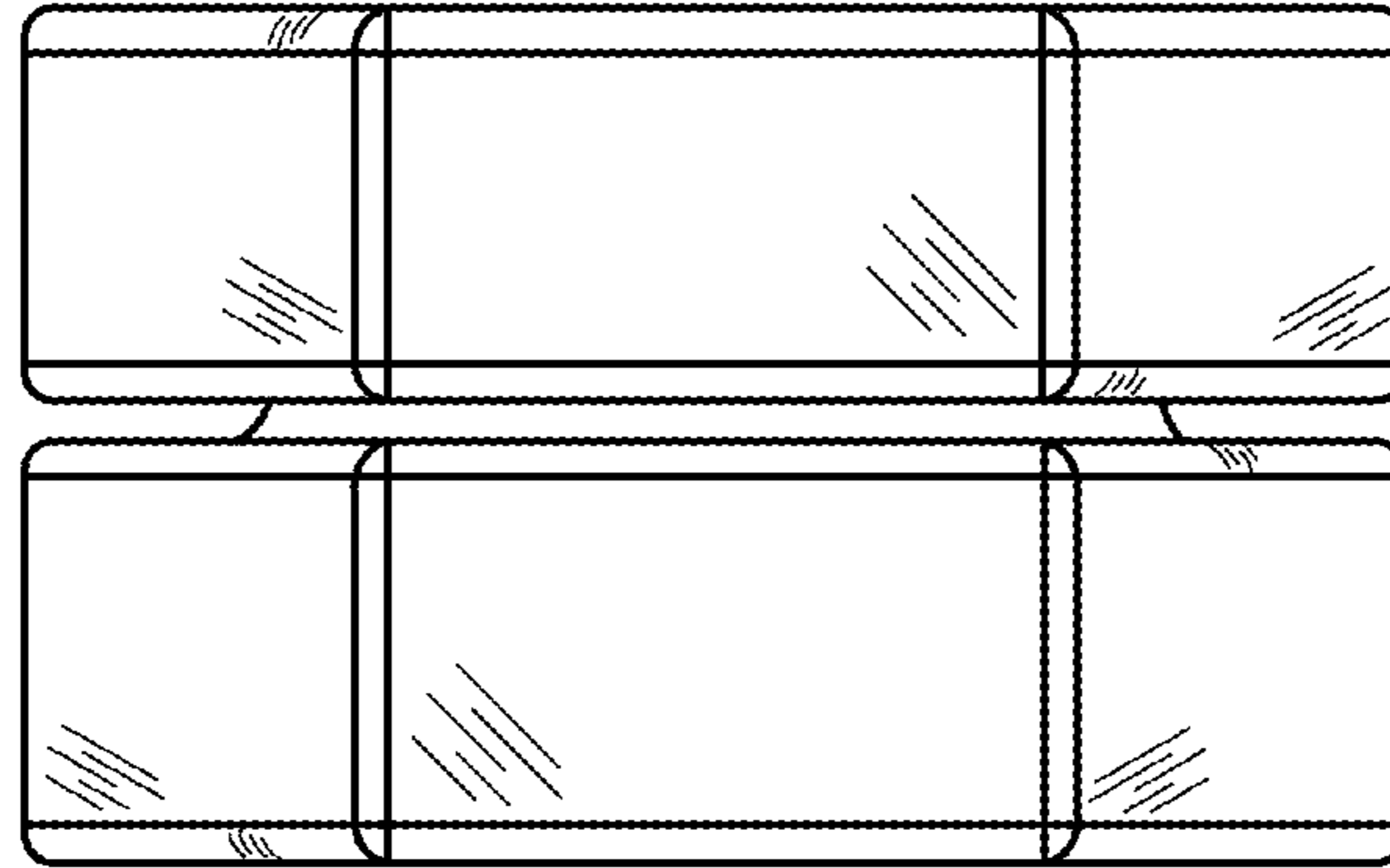


FIG. 2

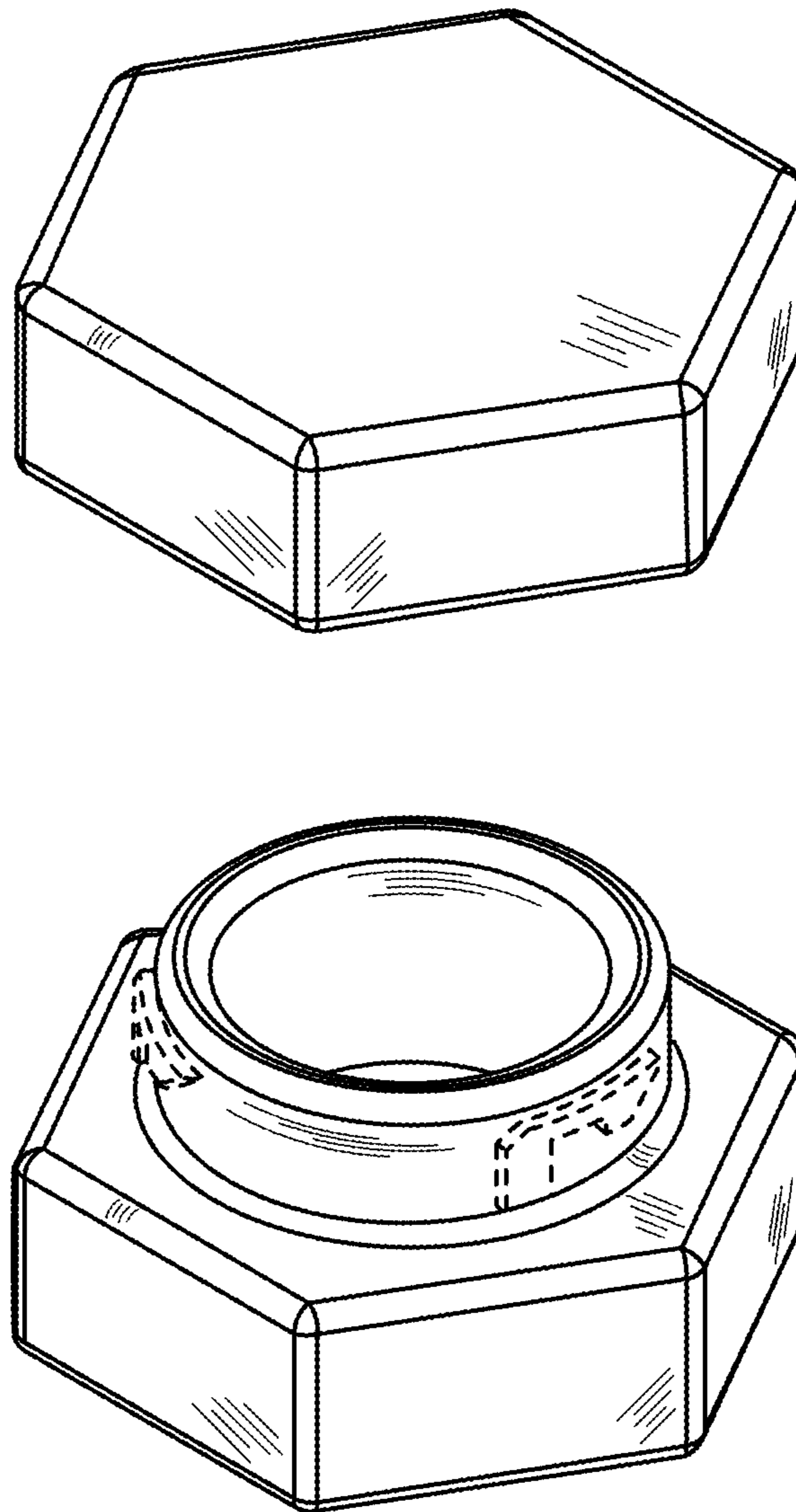


FIG. 3

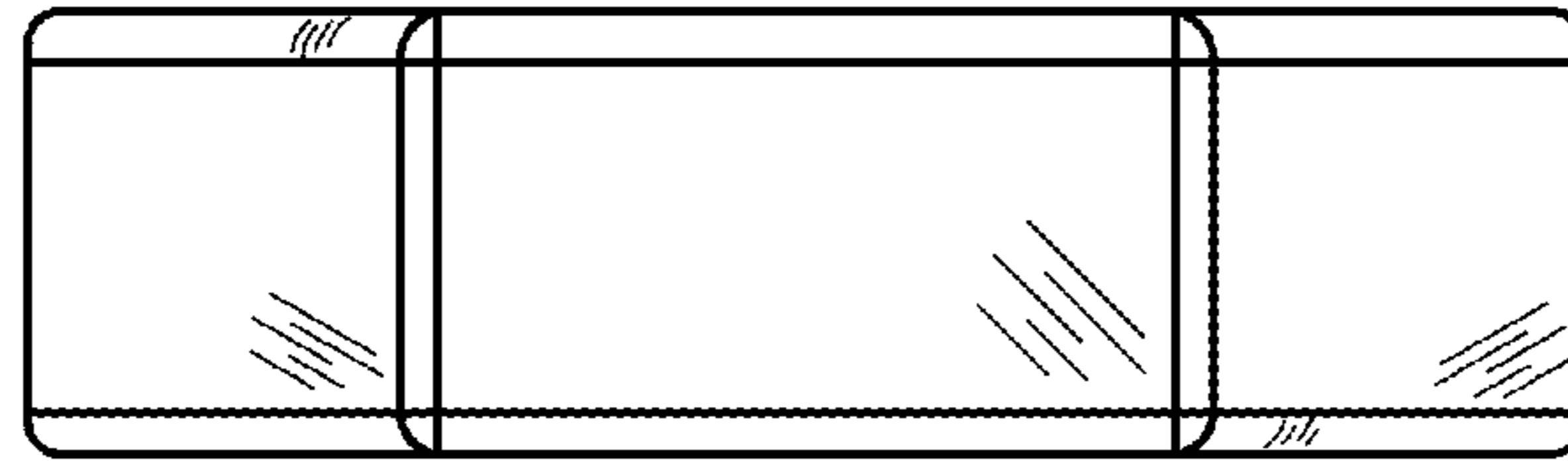


FIG. 4

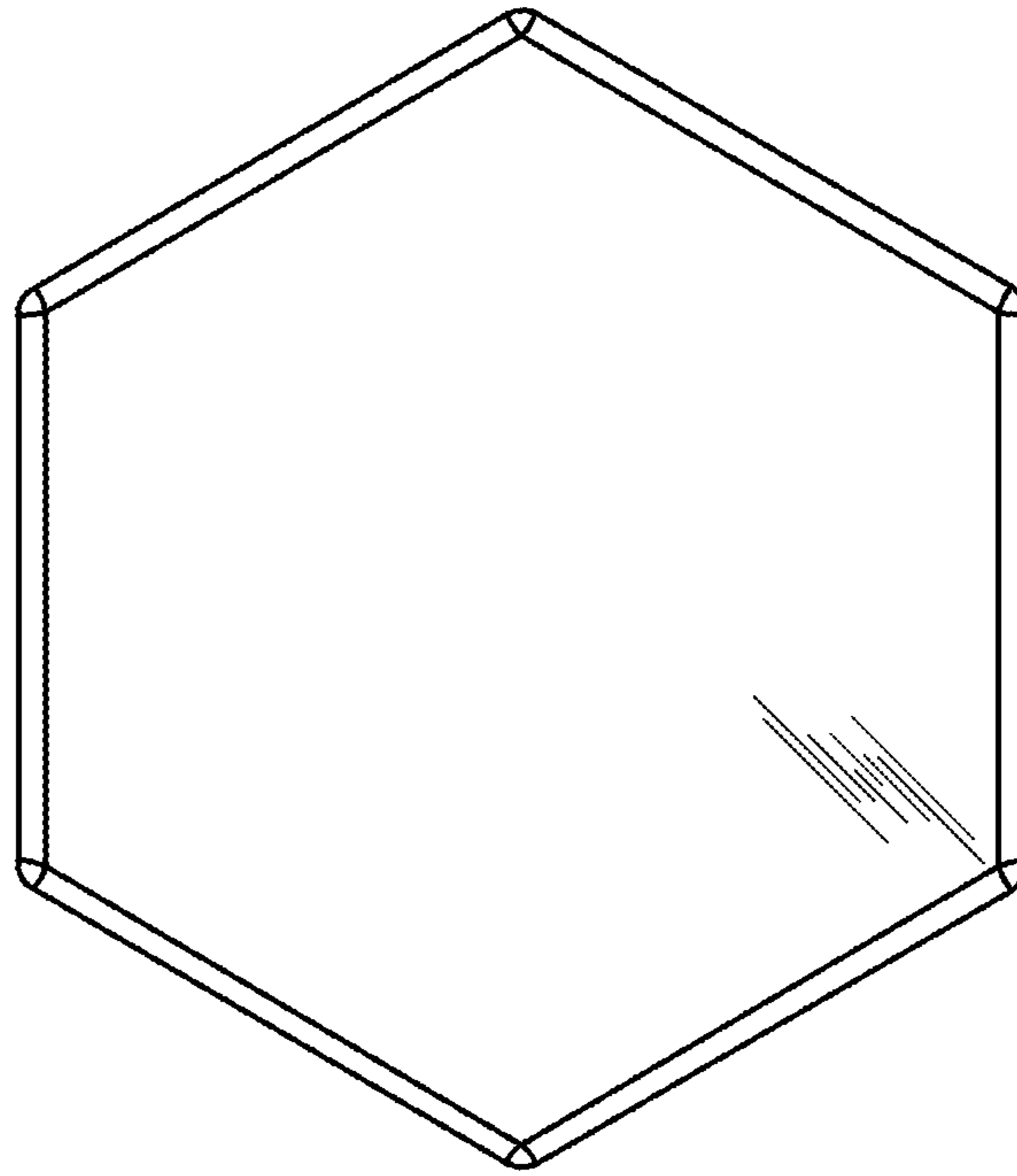


FIG. 5

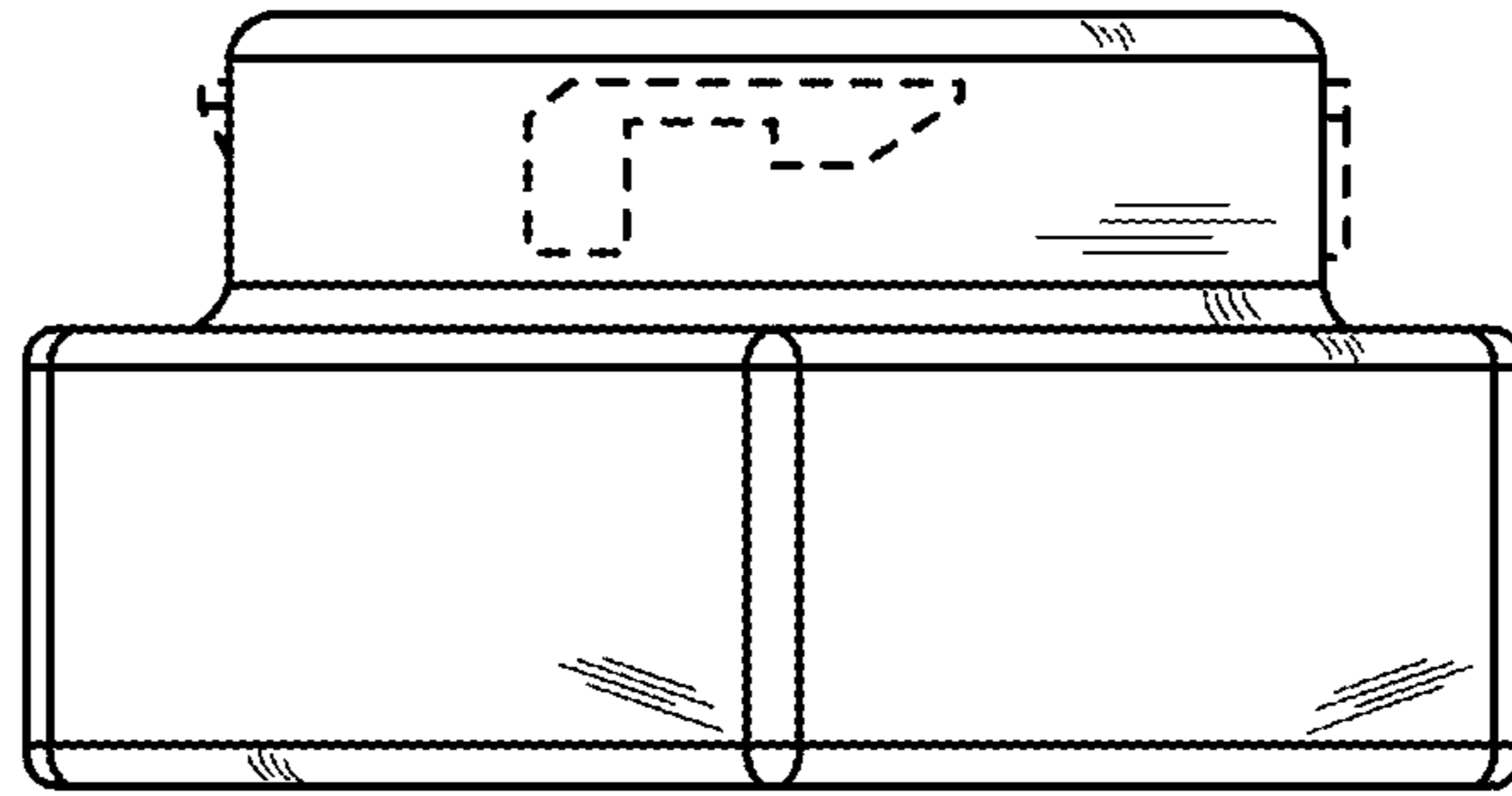


FIG. 6

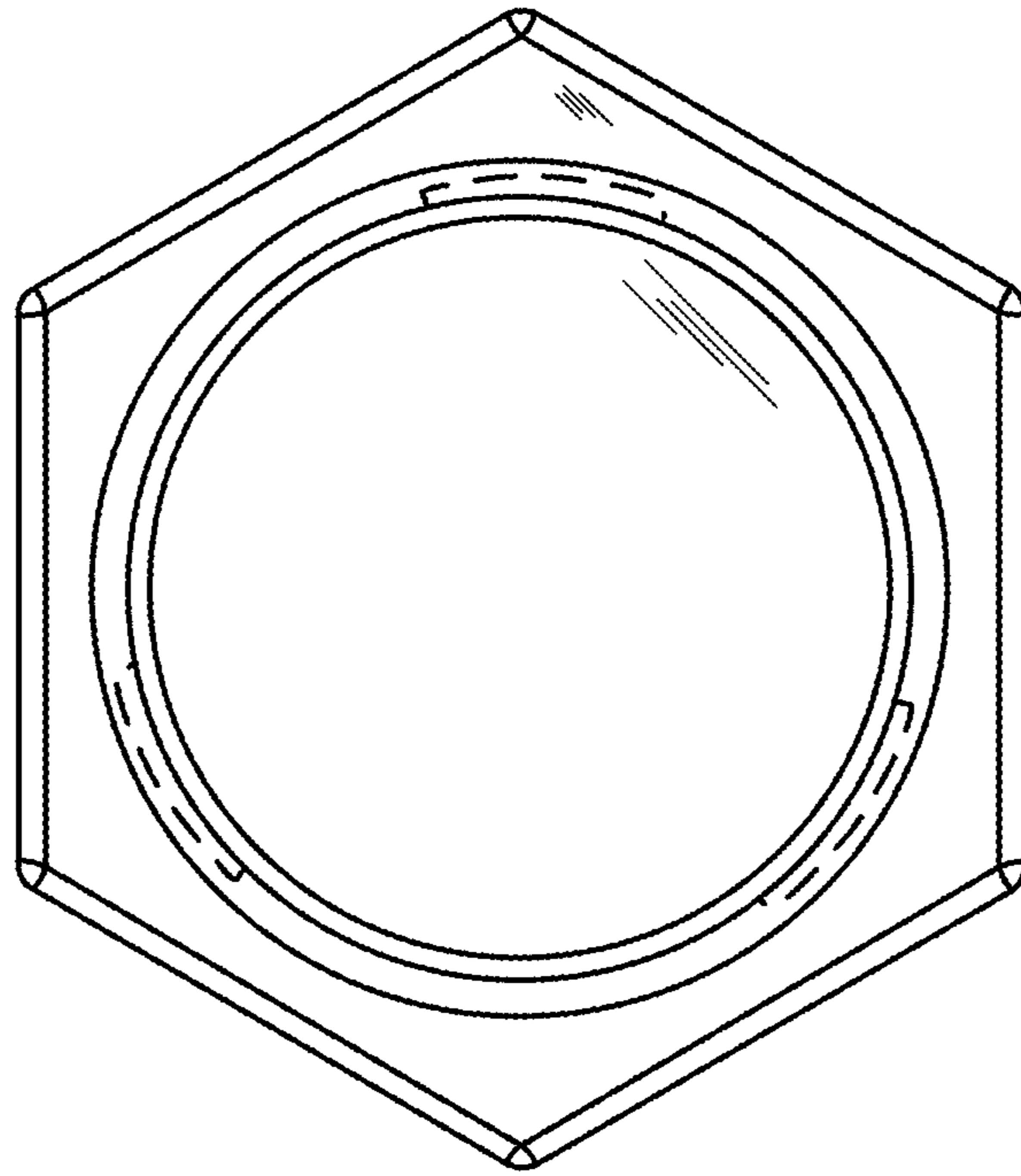


FIG. 7

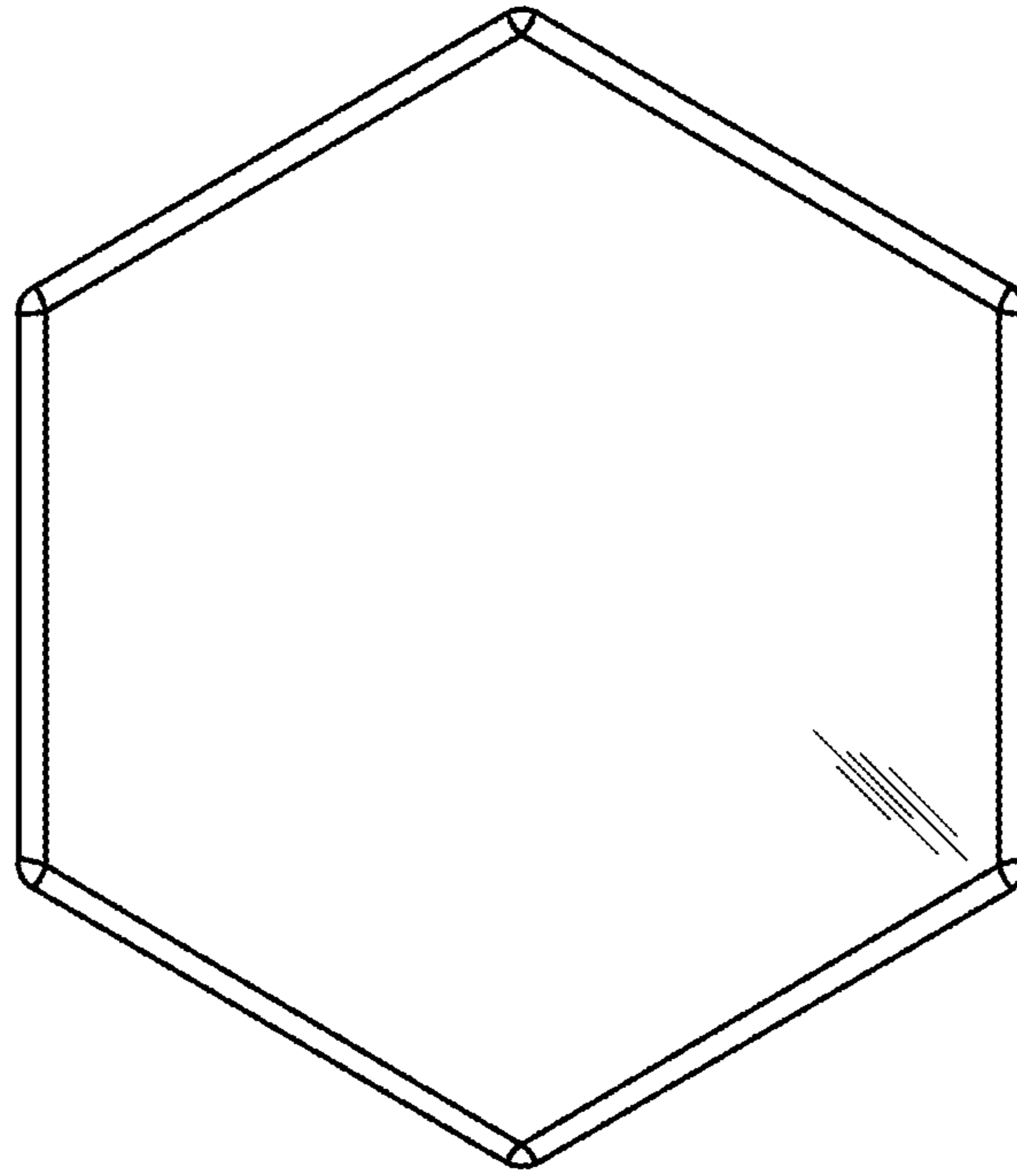


FIG. 8