



US00D895422S

(12) **United States Design Patent**
Sung

(10) **Patent No.:** **US D895,422 S**

(45) **Date of Patent:** **** Sep. 8, 2020**

(54) **LID FOR BEVERAGE CONTAINER**

D827,363 S * 9/2018 Matsui D7/392.1

D838,590 S * 1/2019 Lee D9/447

D838,591 S * 1/2019 Lee D9/447

(Continued)

(71) Applicant: **DONG-A MOOL SAN CO., LTD.**,
Yangju-si (KR)

(72) Inventor: **Jong-Hun Sung**, Seoul (KR)

OTHER PUBLICATIONS

(73) Assignee: **DONG-A MOOL SAN CO., LTD.**,
Yangju-Si (KR)

Dave's Geeky Idewas. Reusable Coffee Cup Lids. Apr. 28, 2018.
<https://davesgeekyideas.com/2018/04/28/reusable-coffee-cup-lids/> (Year:
2018).*

(**) Term: **15 Years**

Primary Examiner — Darcey E Gottschalk

(21) Appl. No.: **29/679,053**

(74) *Attorney, Agent, or Firm* — NSIP Law

(22) Filed: **Feb. 1, 2019**

(57) **CLAIM**

I claim the ornamental design for a lid for beverage con-
tainer, as shown and described.

(30) **Foreign Application Priority Data**

DESCRIPTION

Aug. 2, 2018 (KR) 30-2018-0035888

(51) **LOC (12) Cl.** **09-07**

(52) **U.S. Cl.**
USPC **D9/447; D7/396.2**

(58) **Field of Classification Search**
USPC D3/201, 202; D7/300, 300.1, 317, 321,
D7/391, 392, 392.1, 396.2, 601, 602,
D7/619.1, 629; D9/434-436, 439, 440,
D9/443, 445-447, 449, 452-454, 499
CPC A47G 19/2272; B65D 47/0847; B65D
2543/00046

See application file for complete search history.

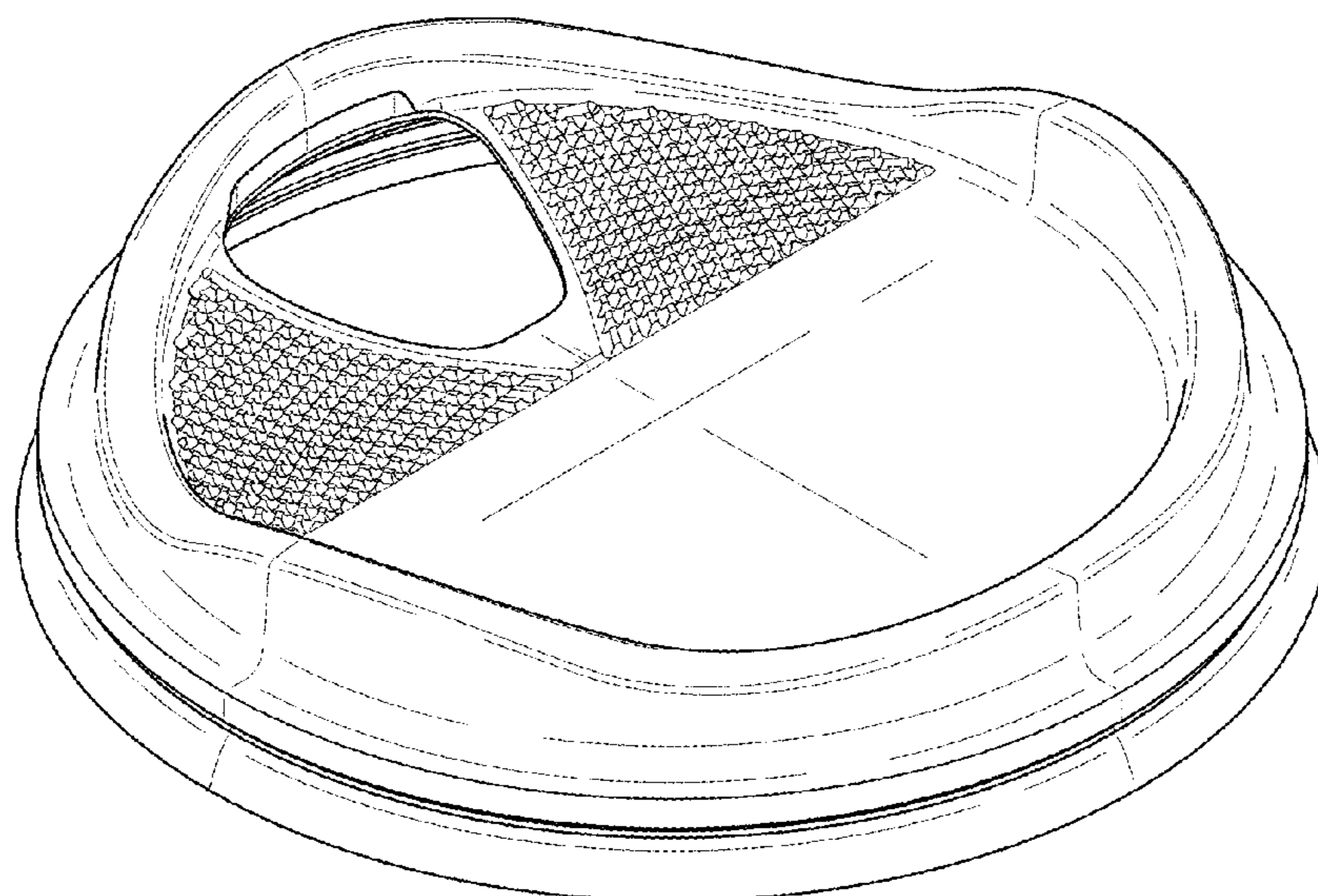
FIG. 1 is a front perspective view of a lid for beverage
container showing my new design;
FIG. 2 is a front view thereof;
FIG. 3 is a rear view thereof;
FIG. 4 is a left-side view thereof;
FIG. 5 is a right-side view thereof;
FIG. 6 is a top view thereof;
FIG. 7 is a bottom view thereof;
FIG. 8 is a bottom perspective view thereof;
FIG. 9 is a front perspective view of the lid for beverage
container in which a beverage container is provided in
dot-dot-dash broken lines to illustrate an example environ-
ment.
FIG. 10 is an enlarged view of the encircled portion in FIG.
1;
FIG. 11 is a rear perspective view; and,
FIG. 12 is another bottom perspective view thereof.
The dot-dot-dash broken lines in FIG. 9 depict environmen-
tal subject matter and form no part of the claimed design.
The dot-dash broken lines encircling a portion of the
claimed design that is illustrated in an enlargement forms no
part of the claimed design.

(56) **References Cited**

U.S. PATENT DOCUMENTS

D485,758 S * 1/2004 Clarke D9/447
D624,413 S * 9/2010 Selina D9/447
D696,940 S * 1/2014 Hale D9/447
D696,942 S * 1/2014 Kim D9/447
D770,279 S * 11/2016 Strachan D9/447
D773,883 S * 12/2016 Elias D7/392.1
D775,492 S * 1/2017 Elias D7/392.1
D816,495 S * 5/2018 Chou D9/447
D822,484 S * 7/2018 D'Amato D9/447

1 Claim, 12 Drawing Sheets



(56)

References Cited

U.S. PATENT DOCUMENTS

D858,279 S * 9/2019 Trombetta D9/434
D865,520 S * 11/2019 Lofholm D9/447
D876,233 S * 2/2020 Pan D9/447
2019/0039788 A1* 2/2019 Chambers B65D 43/0212

* cited by examiner

FIG. 1

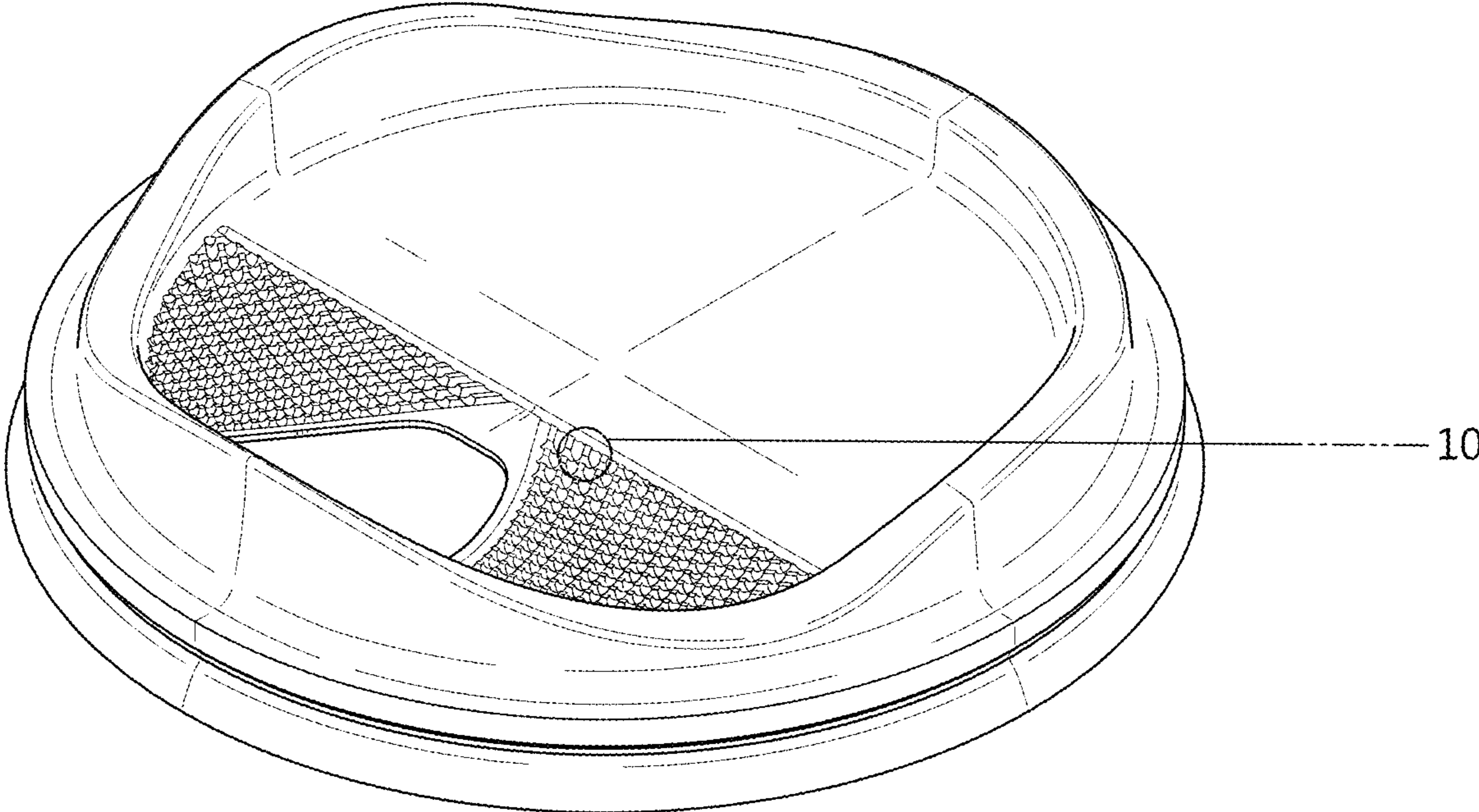


FIG. 2

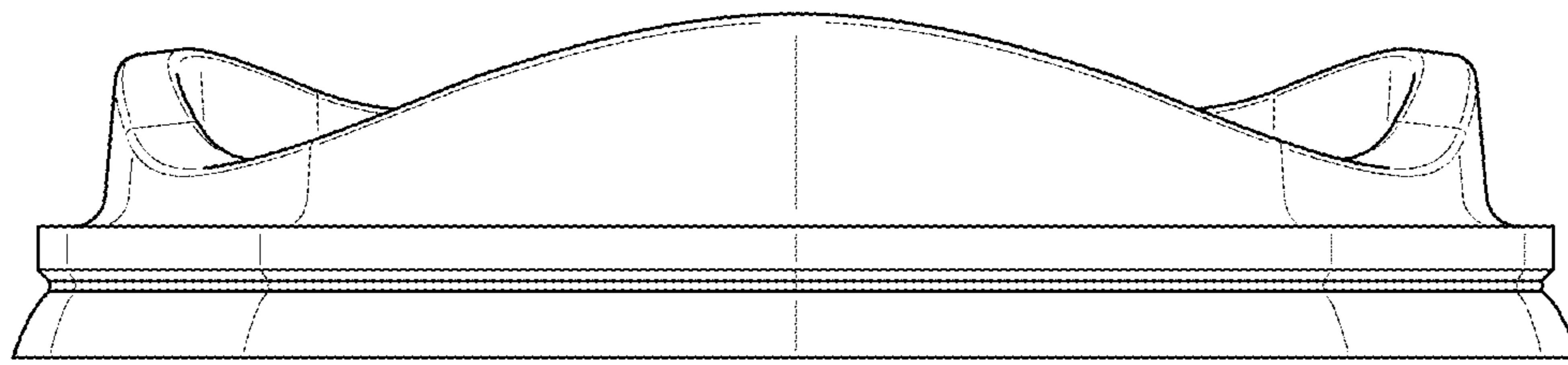


FIG. 3

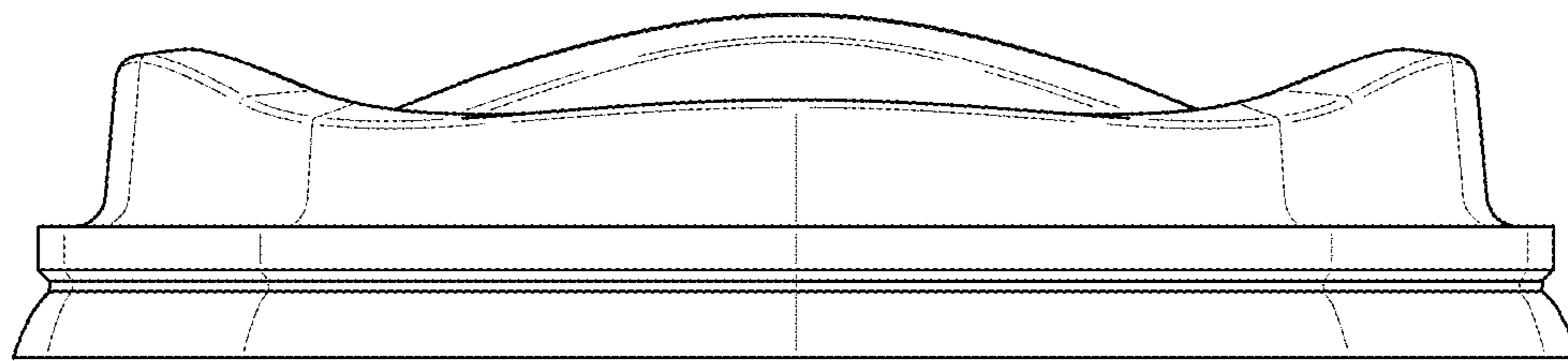


FIG. 4

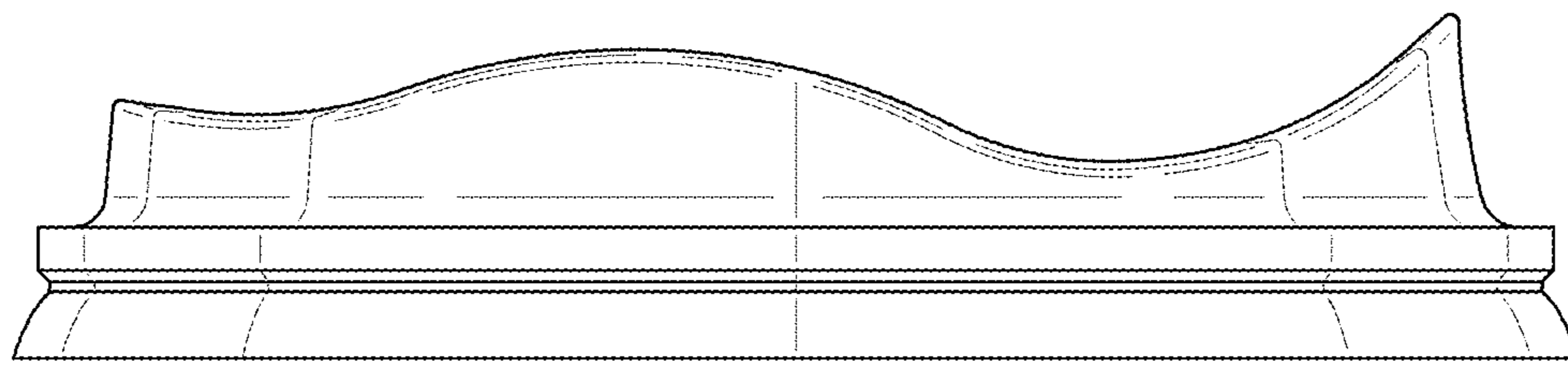


FIG. 5

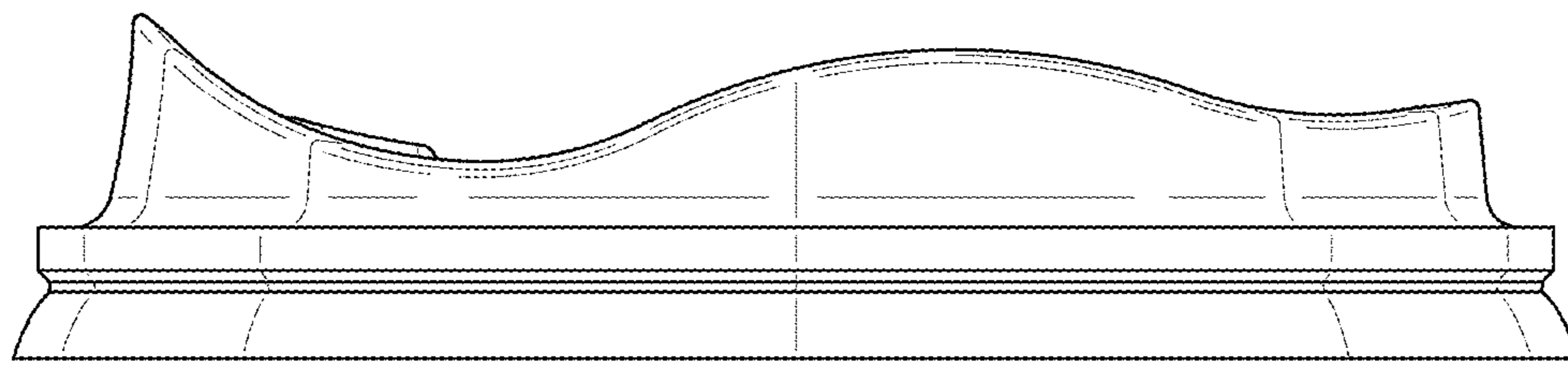


FIG. 6

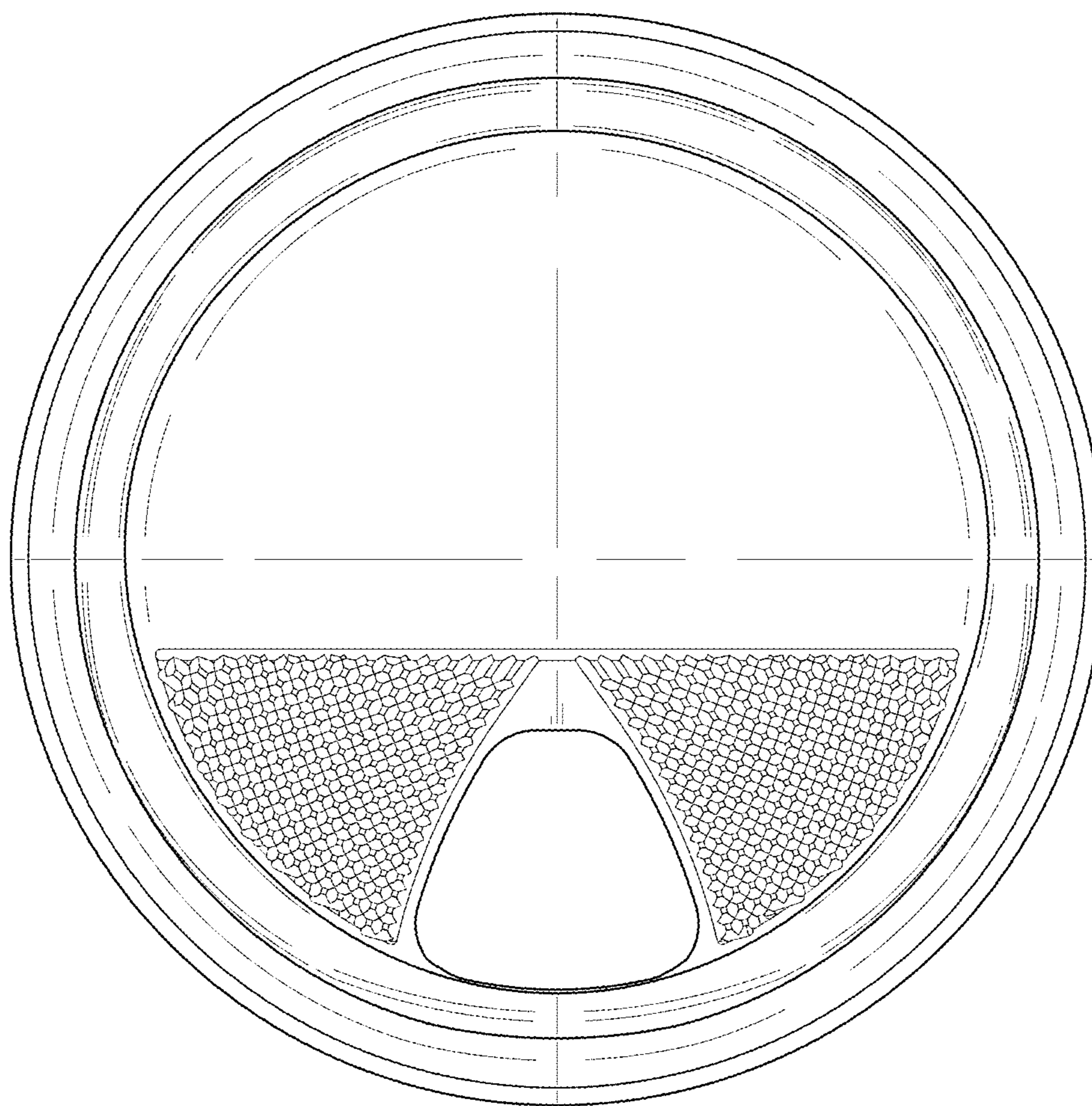


FIG. 7

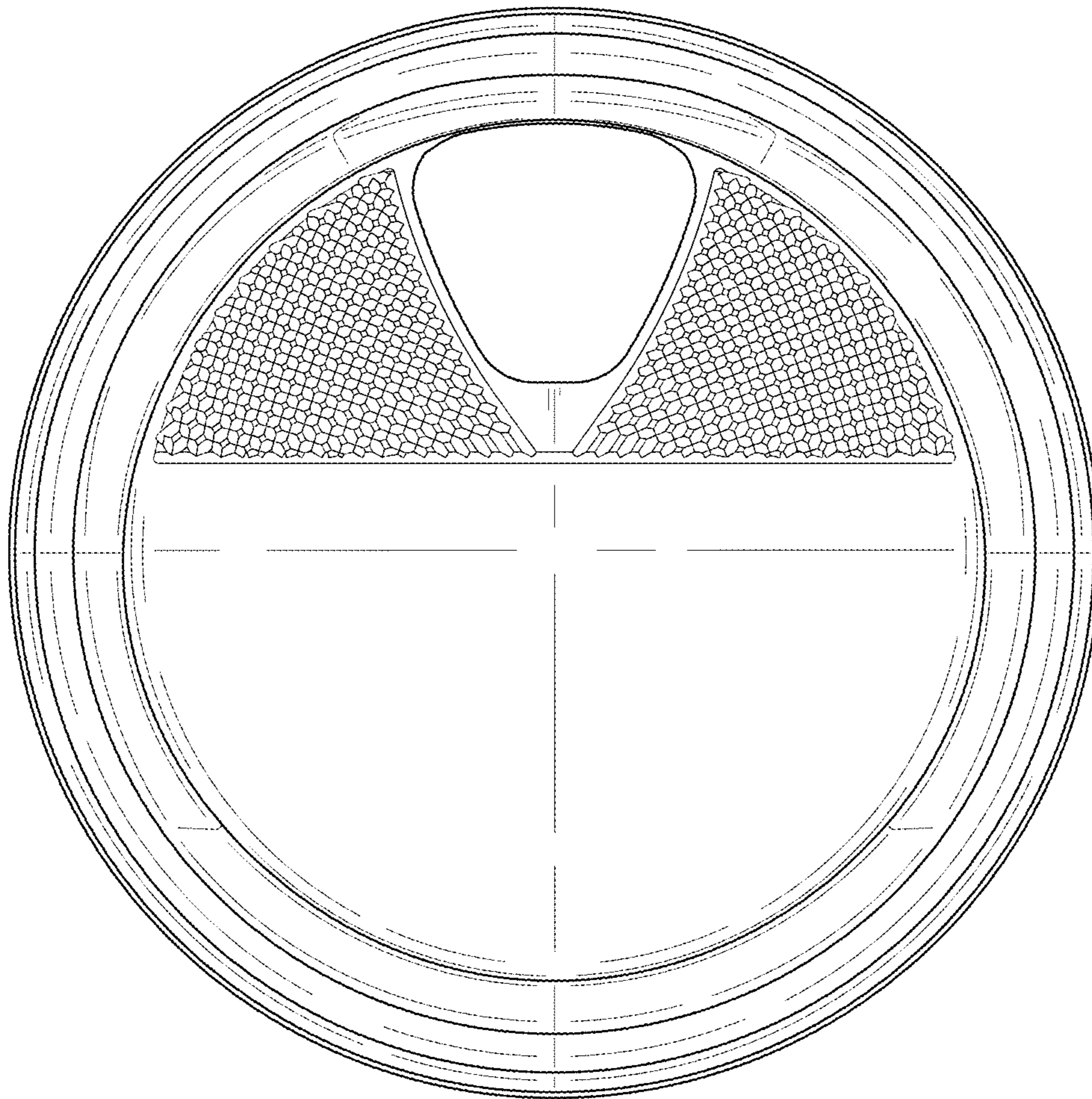


FIG. 8

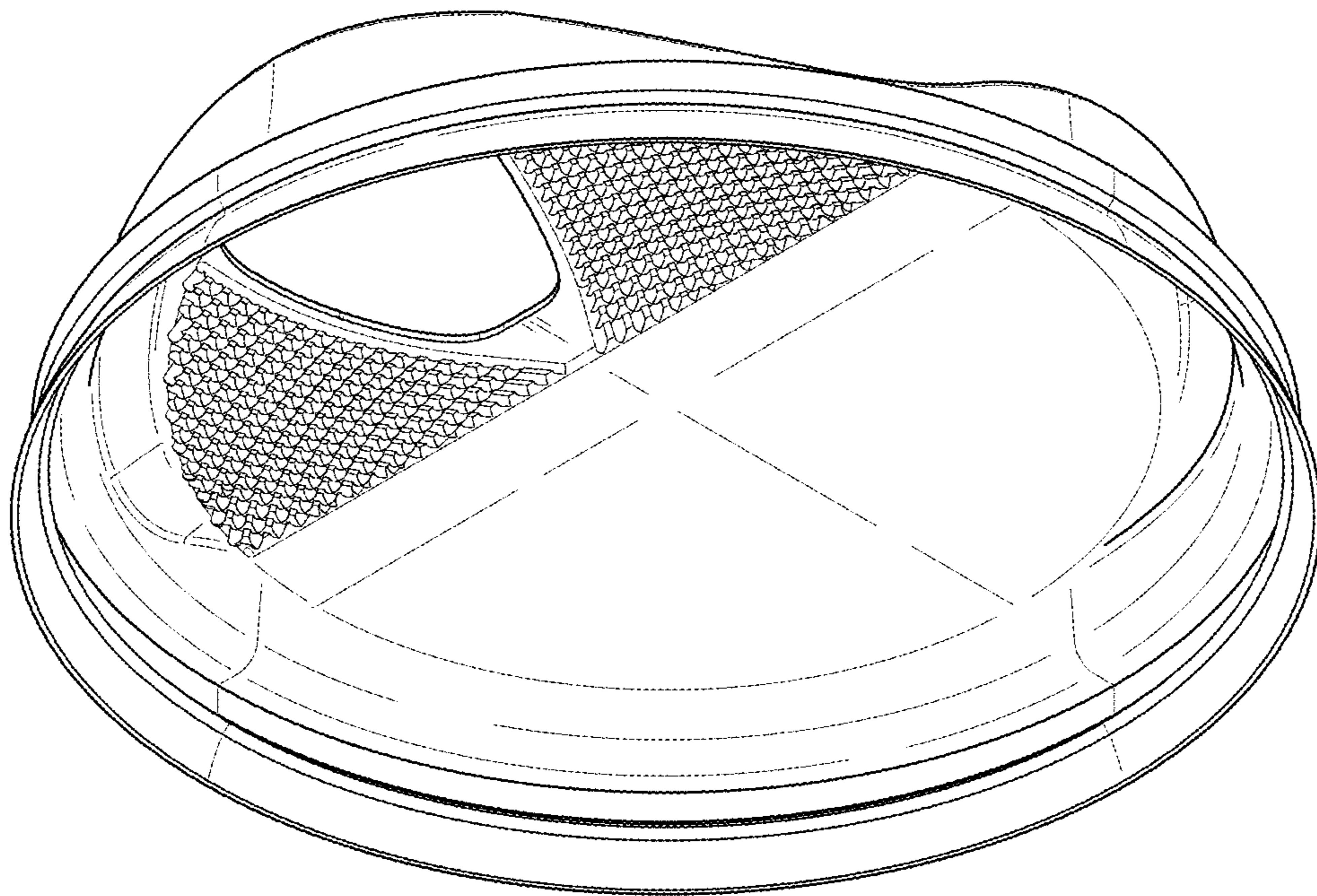


FIG. 9

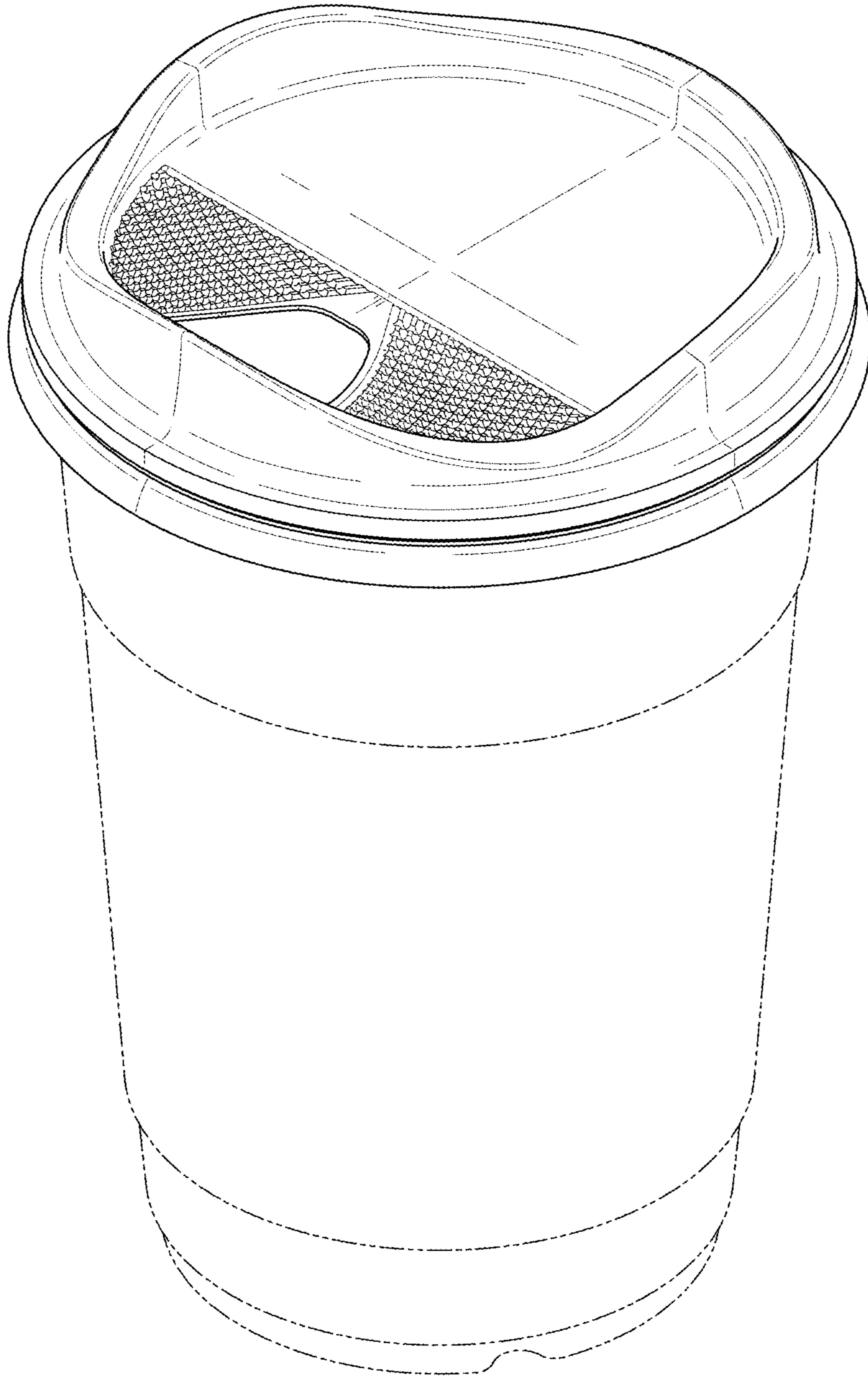


FIG. 10

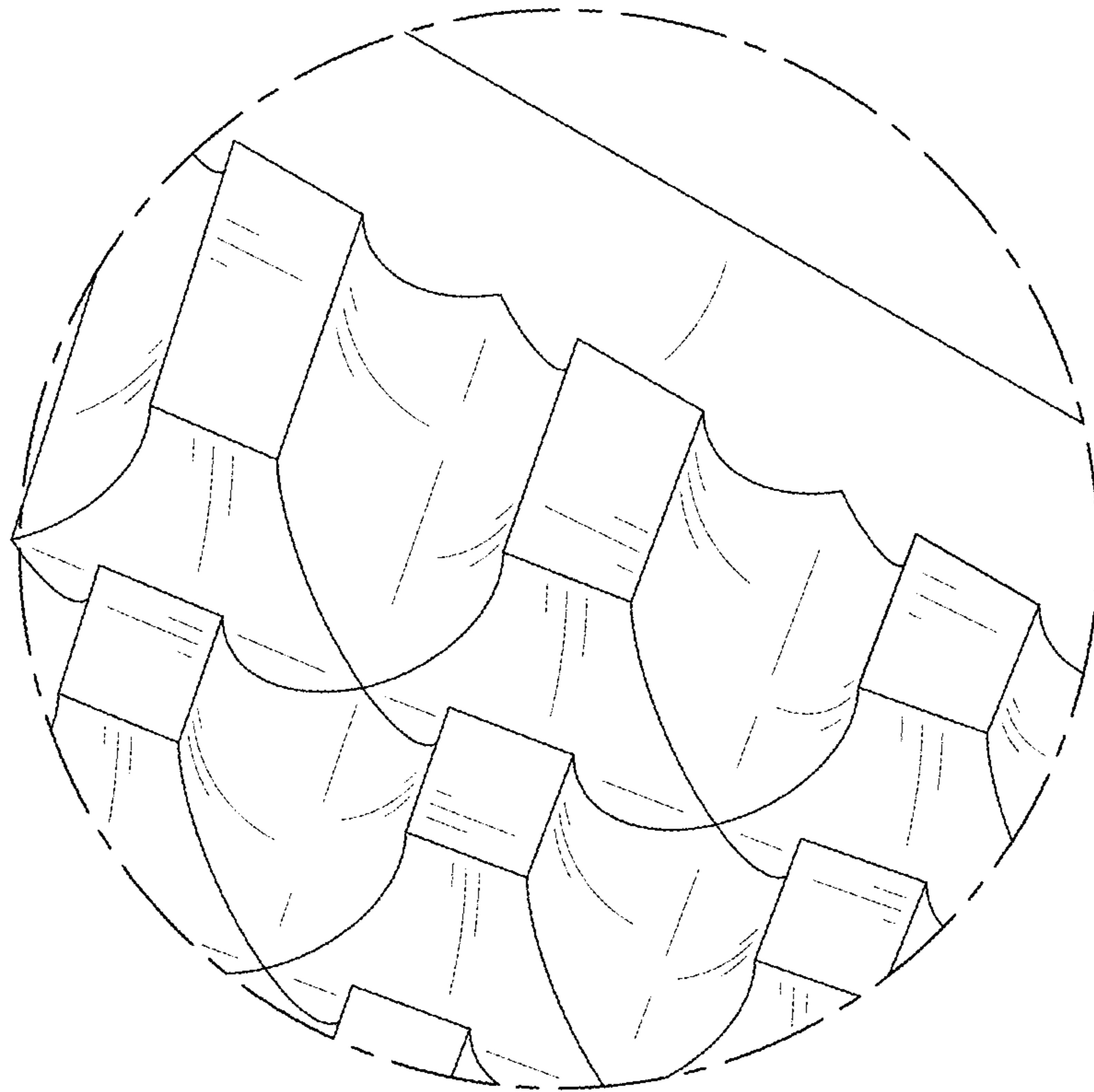


FIG. 11

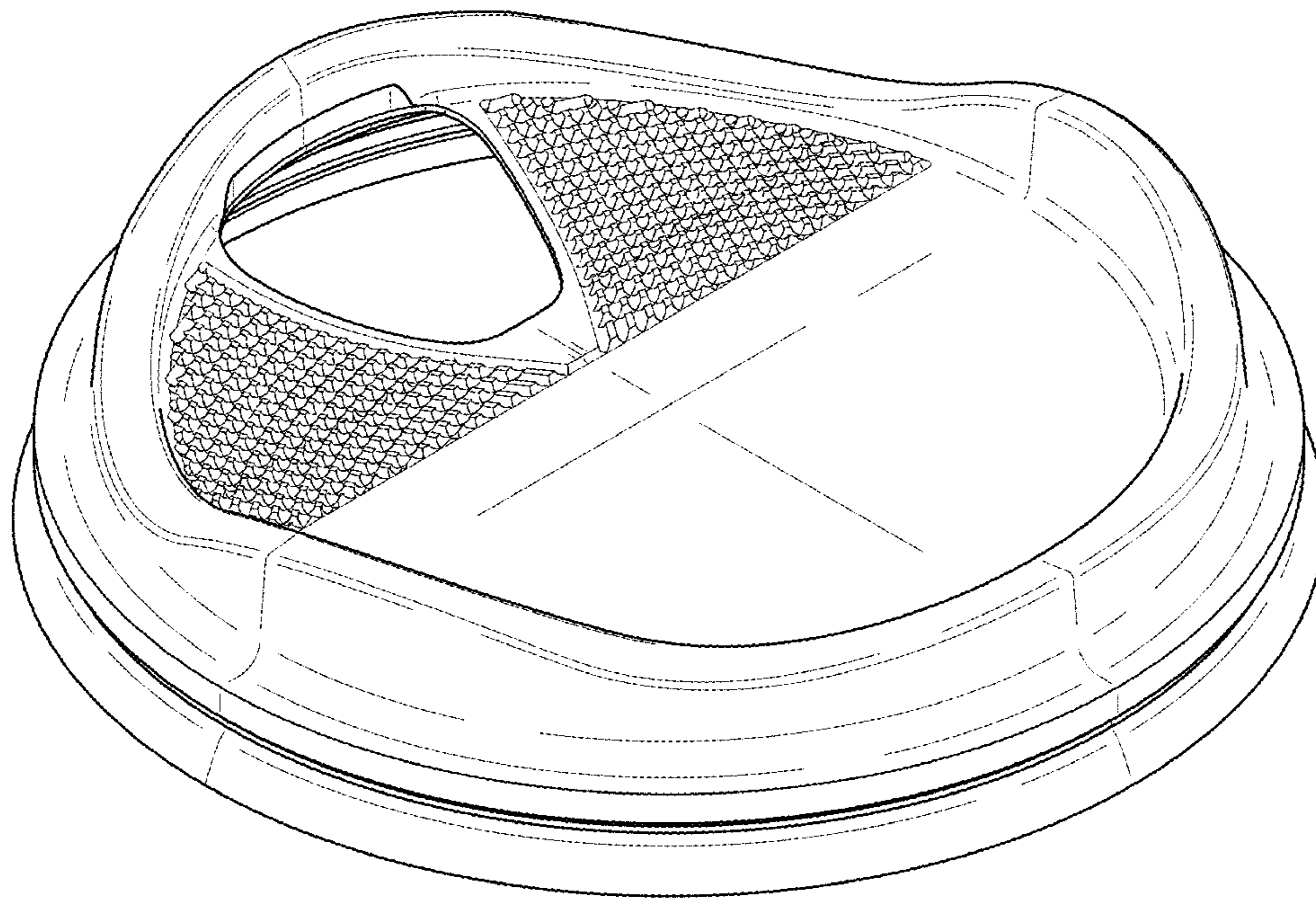


FIG. 12

