



US00D895414S

(12) **United States Design Patent**
Woodward et al.

(10) **Patent No.:** **US D895,414 S**
(45) **Date of Patent:** **** Sep. 8, 2020**

- (54) **FENESTRATION HARDWARE**
- (71) Applicant: **Marvin Lumber and Cedar Company, LLC**, Eagan, MN (US)
- (72) Inventors: **Bradley D. Woodward**, Warroad, MN (US); **Ross Michael Hollermann**, Salol, MN (US)
- (73) Assignee: **Marvin Lumber and Cedar Company, LLC**, Eagan, MN (US)
- (**) Term: **15 Years**
- (21) Appl. No.: **29/726,492**
- (22) Filed: **Mar. 3, 2020**

Related U.S. Application Data

- (63) Continuation of application No. 16/793,684, filed on Feb. 18, 2020.
- (51) **LOC (12) Cl.** **08-09**
- (52) **U.S. Cl.**
USPC **D8/400; D8/337**
- (58) **Field of Classification Search**
USPC D8/330, 331, 336, 337, 338, 341, 380, D8/373, 349, 300, 301, 400-499
(Continued)

(56) **References Cited**

U.S. PATENT DOCUMENTS

- 3,270,536 A * 9/1966 Sprung E05C 3/047
70/89
- D435,429 S * 12/2000 Barnett D8/331
(Continued)

Primary Examiner — Keli L Hill
Assistant Examiner — Harold E Blackwell, II

(74) *Attorney, Agent, or Firm* — Schwegman Lundberg & Woessner, P.A.

(57) **CLAIM**

The ornamental design for a fenestration hardware, as shown and described.

DESCRIPTION

FIG. 1 is a first perspective view of the fenestration hardware, installed in a fenestration assembly, showing the new design.

FIG. 2 is a second perspective view of the fenestration hardware of FIG. 1.

FIG. 3 is a front view of the fenestration hardware of FIG. 2.

FIG. 4 is a back view of the fenestration hardware of FIG. 2.

FIG. 5 is a top view of the fenestration hardware of FIG. 2.

FIG. 6 is a bottom view of the fenestration hardware of FIG. 2.

FIG. 7 is a first side view of the fenestration hardware of FIG. 2.

FIG. 8 is a second side view of the fenestration hardware of FIG. 2.

FIG. 9 is a third perspective view of the fenestration hardware of FIG. 1 in an operating configuration.

FIG. 10 is a fourth perspective view of the fenestration hardware of FIG. 1 in the operating configuration.

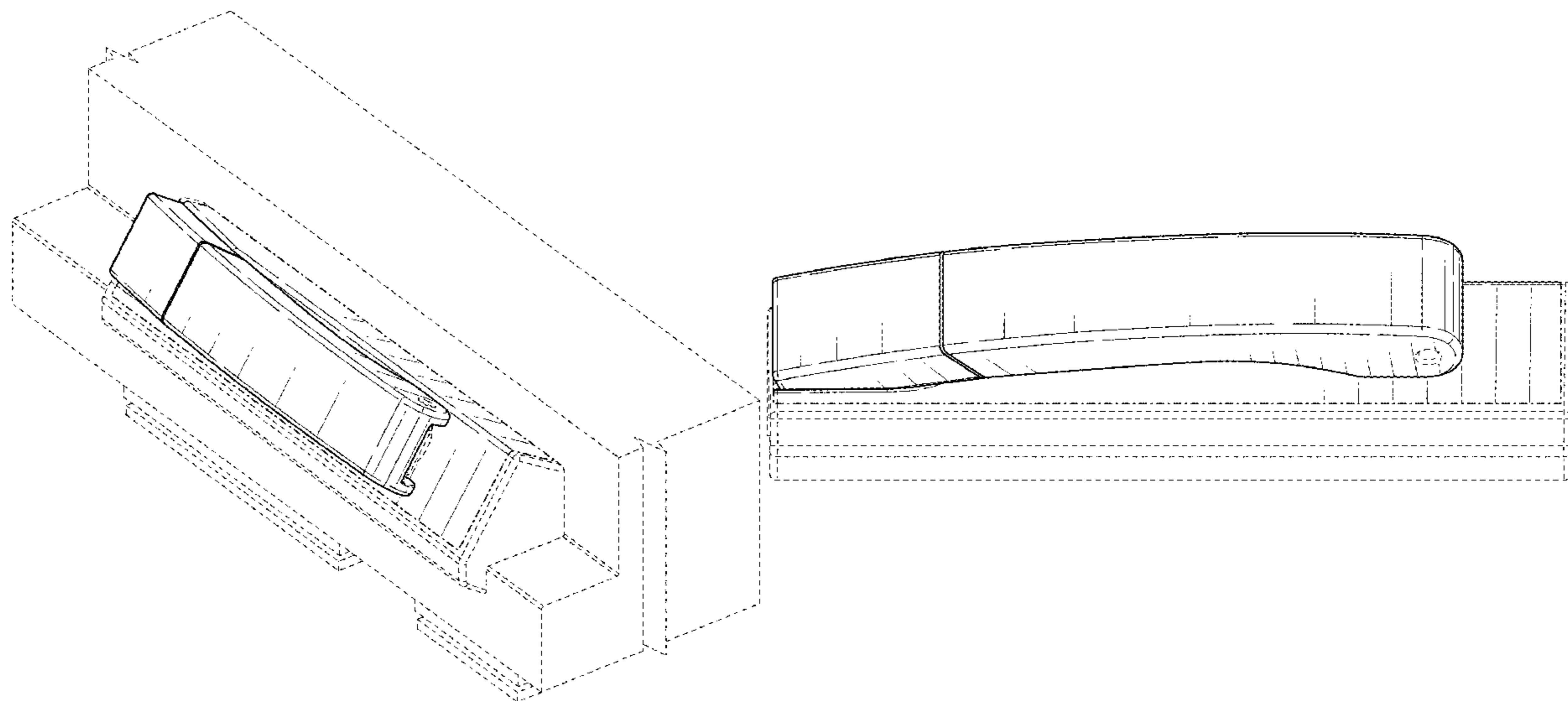
FIG. 11 is a fifth perspective view of the fenestration hardware of FIG. 1 in the operating configuration.

FIG. 12 is a sixth perspective view of the fenestration hardware of FIG. 1 in the operating configuration; and,

FIG. 13 is a seventh perspective view of the fenestration hardware of FIG. 1.

The dot dash dot lines immediately adjacent to the shaded areas represent bounds of the claimed design. The broken lines are directed to environment and are for illustrative purposes only. All other broken lines are directed to unclaimed features and form no part of the claimed design.

1 Claim, 10 Drawing Sheets



(58) **Field of Classification Search**

CPC ... E05B 17/0025; E05B 17/0004; E05B 17/00
See application file for complete search history.

(56) **References Cited**

U.S. PATENT DOCUMENTS

D497,304	S	*	10/2004	Stoll	D8/337
D522,837	S	*	6/2006	Vetter	D8/306
D591,146	S	*	4/2009	Dallmann	D8/400
D595,110	S	*	6/2009	Berstler	D8/331
D595,111	S	*	6/2009	Jones	D8/331
9,404,288	B2	*	8/2016	Curtis	E06B 3/4415
D780,555	S	*	3/2017	Vetter	D8/331
D818,798	S	*	5/2018	Black	D8/337
D819,425	S	*	6/2018	Black	D8/337
D844,412	S	*	4/2019	Von Holzhausen	D8/337
10,294,714	B2	*	5/2019	Massey	E06B 7/16
D874,901	S	*	2/2020	Vetter	D8/337

* cited by examiner

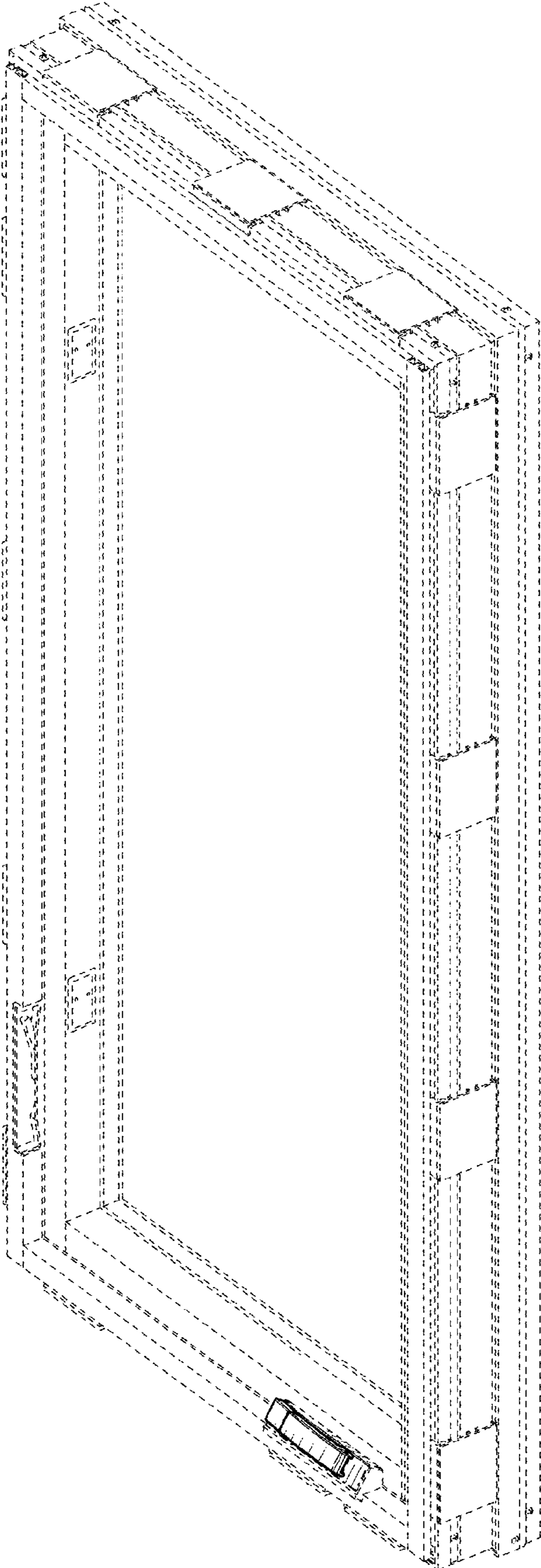


FIG. 1

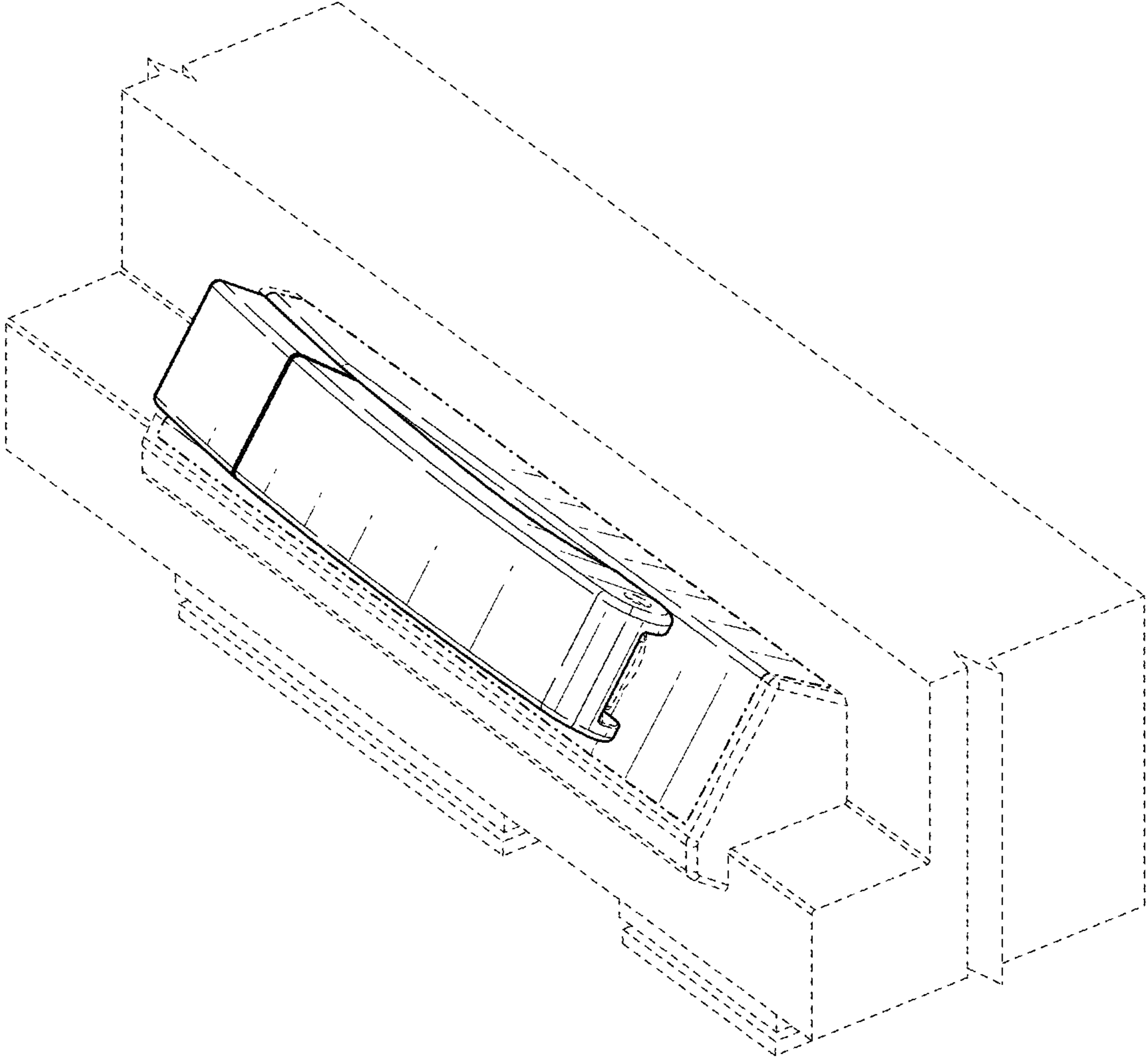


FIG. 2

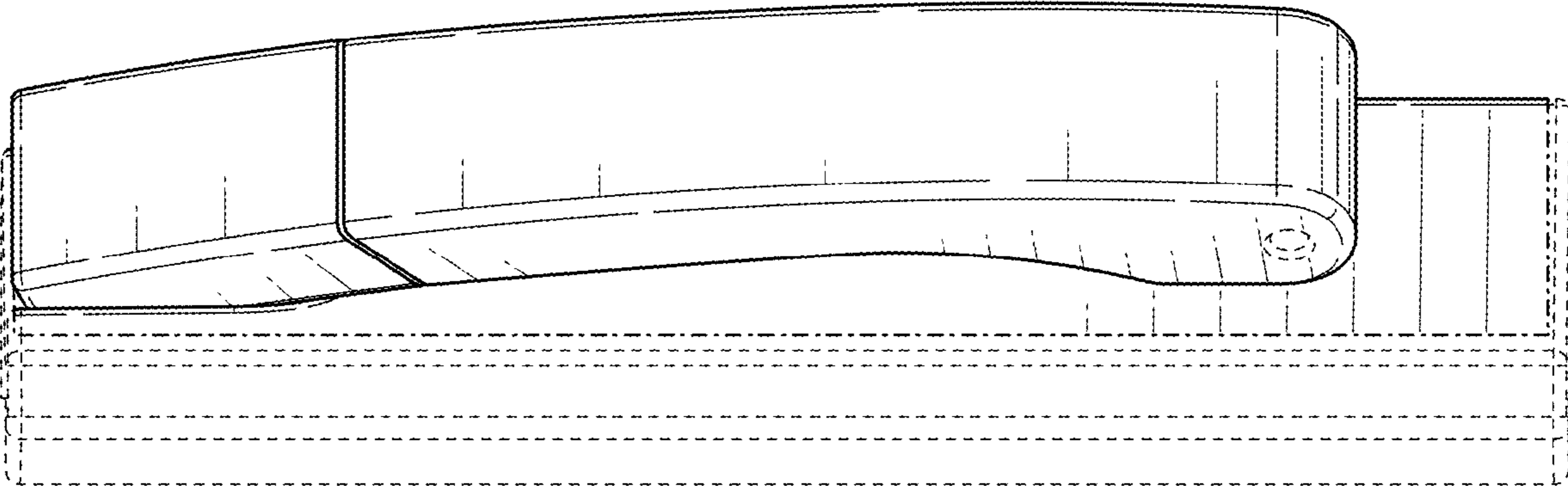


FIG. 3

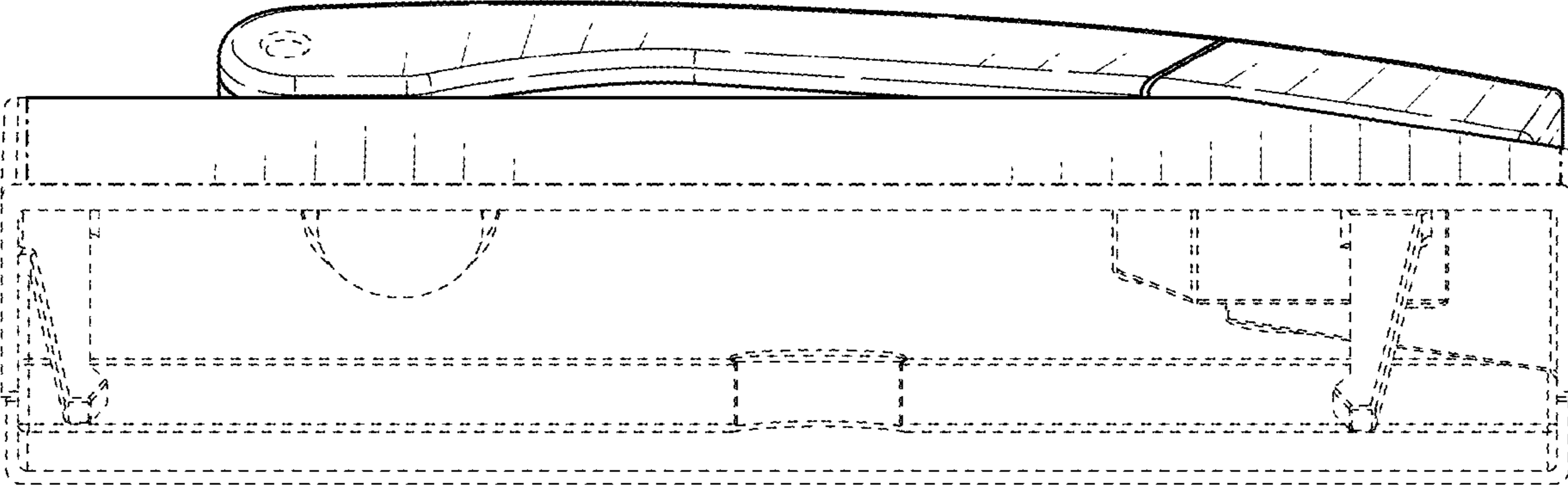


FIG. 4

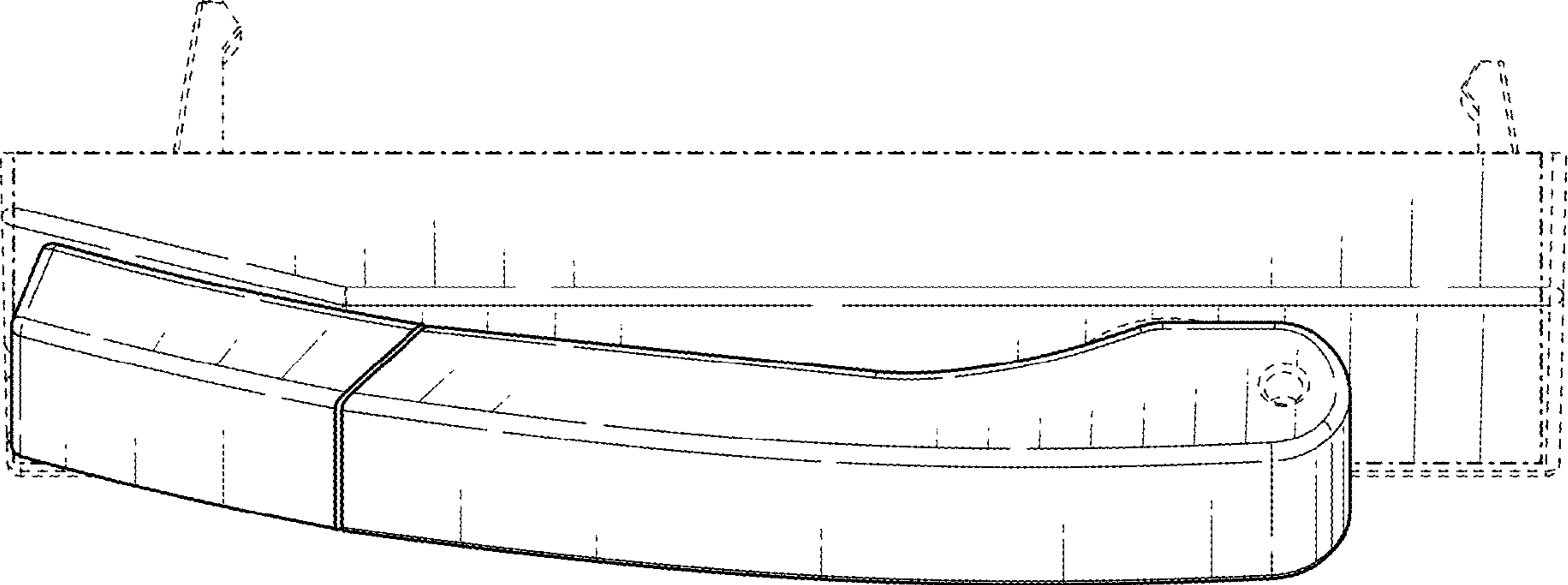


FIG. 5

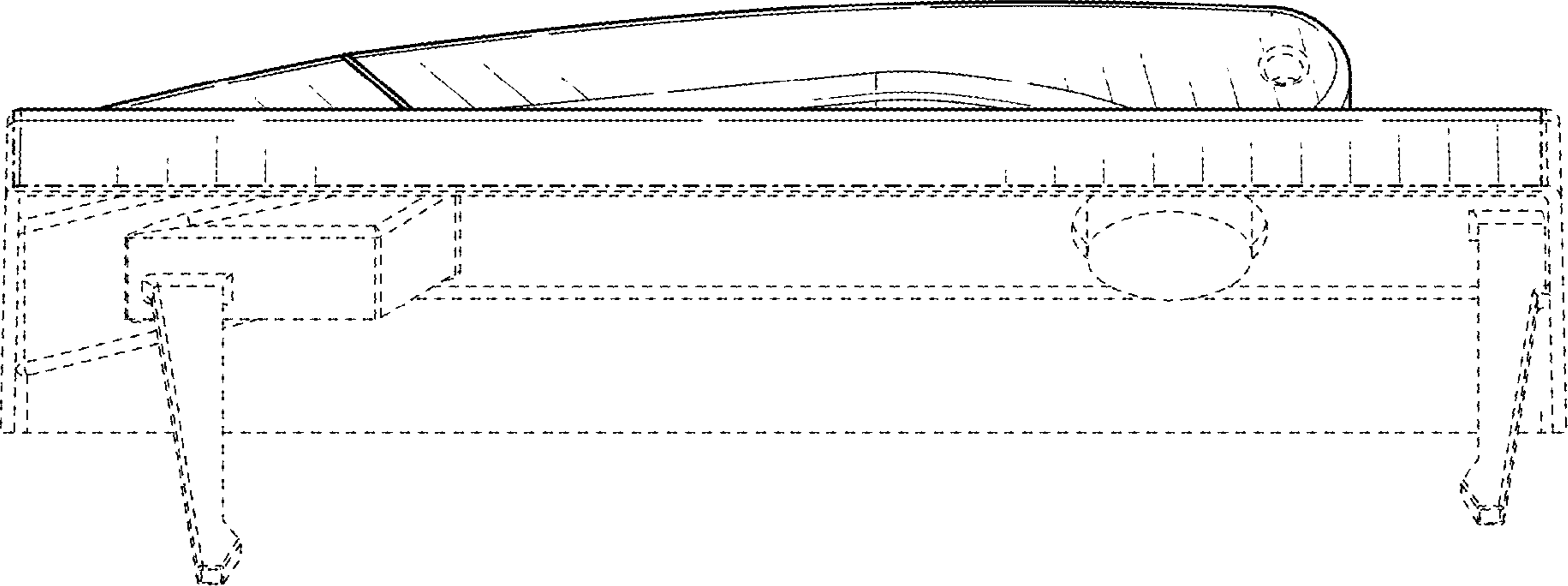


FIG. 6

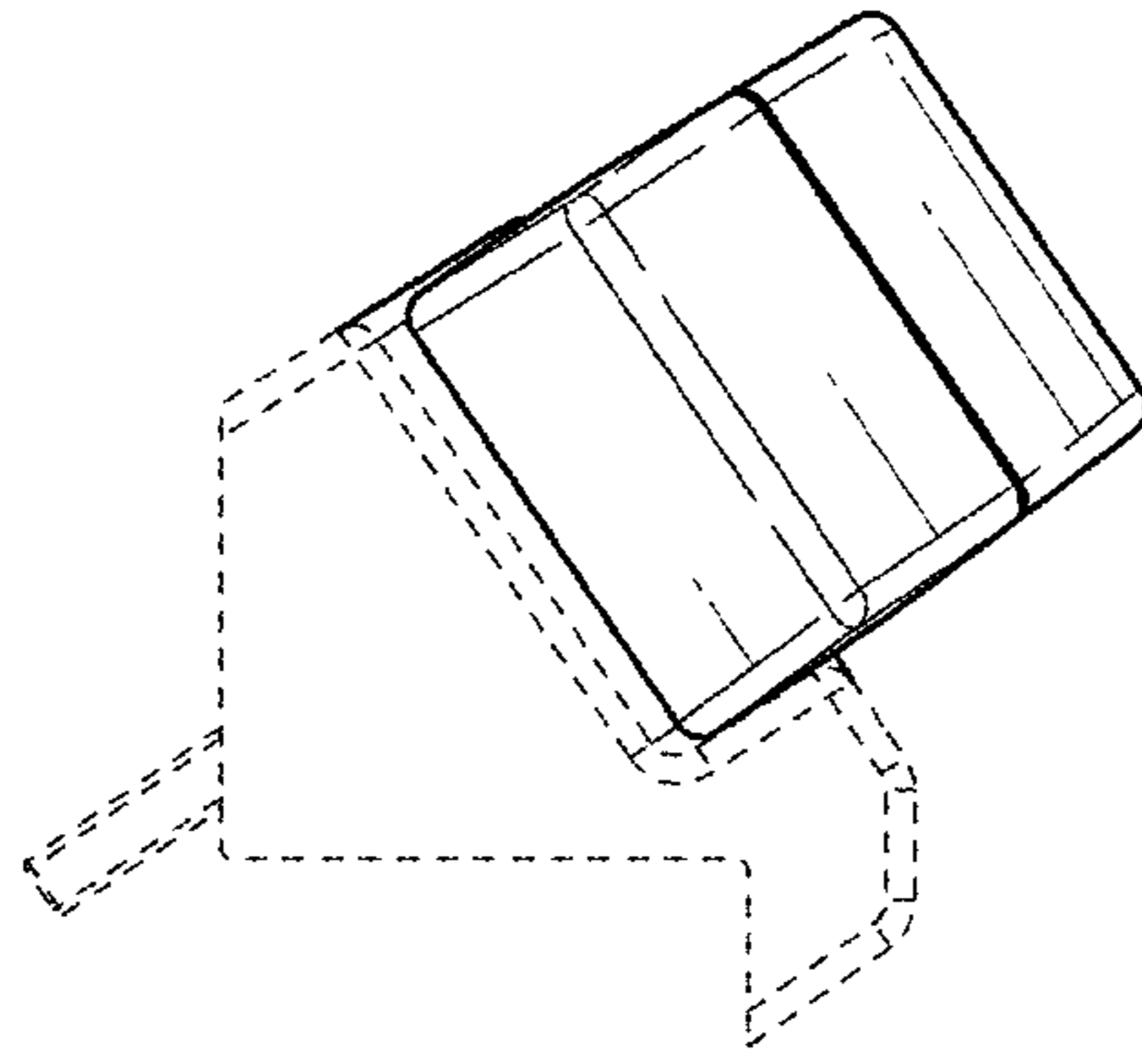


FIG. 7

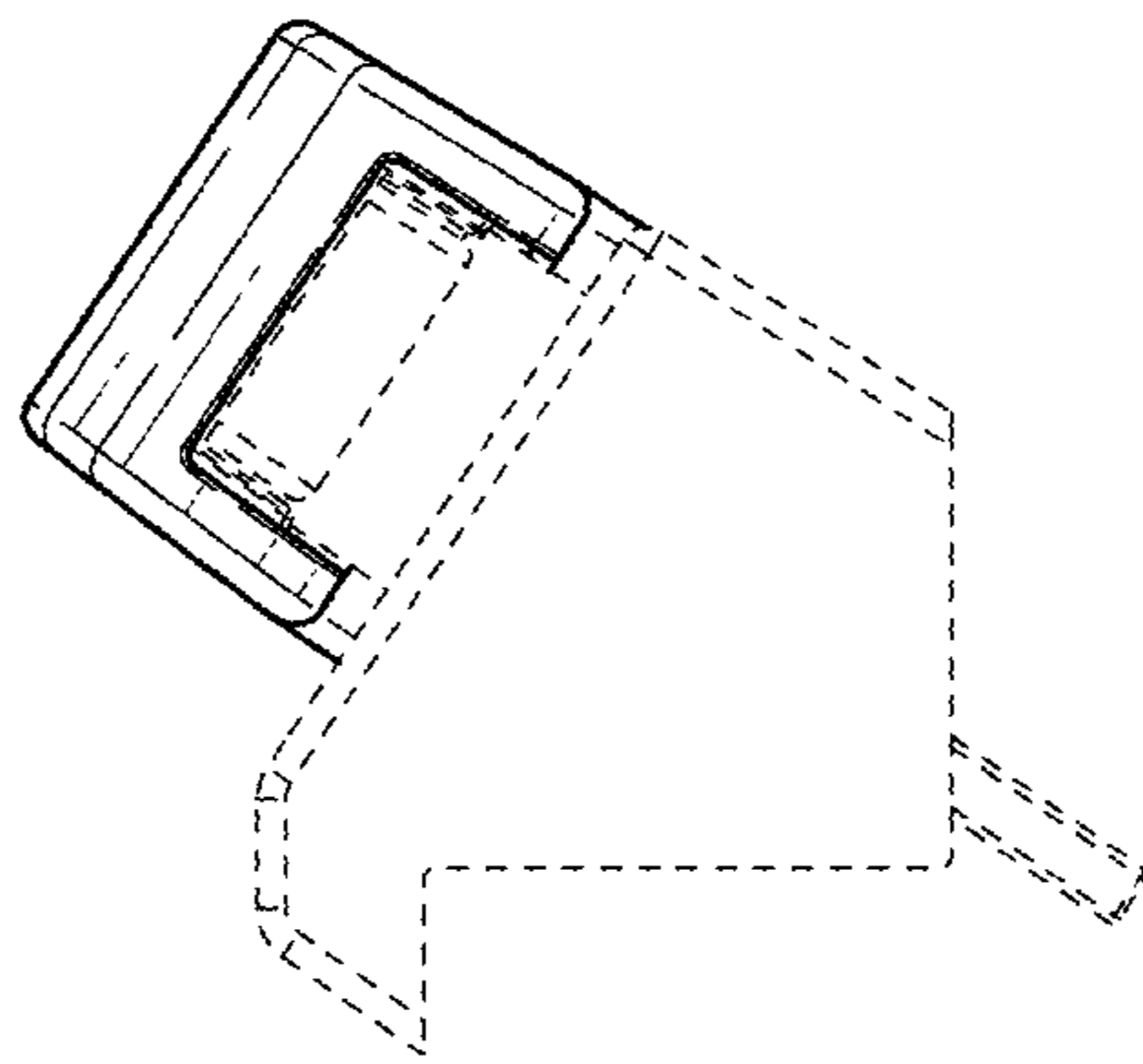


FIG. 8

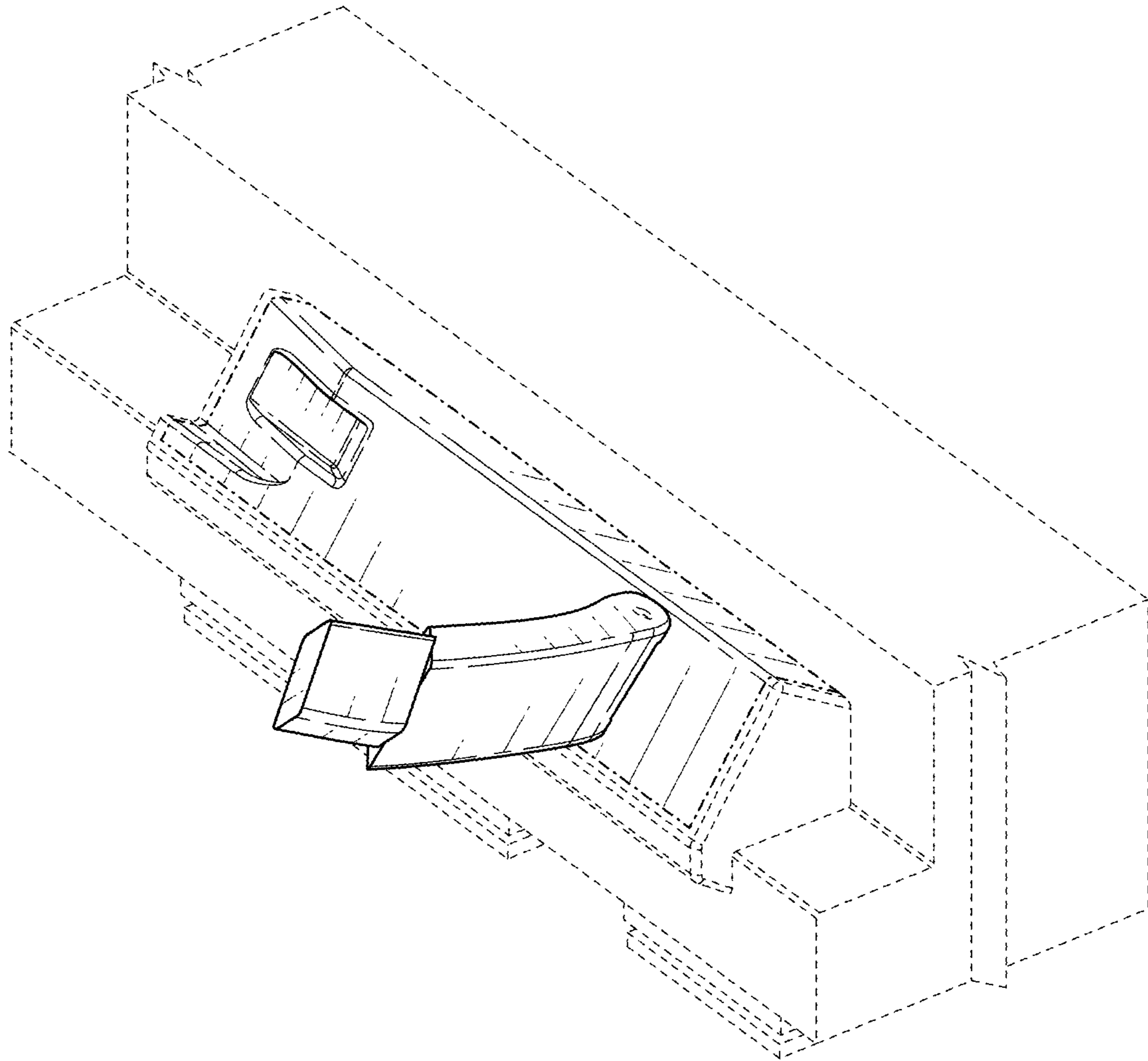


FIG. 9

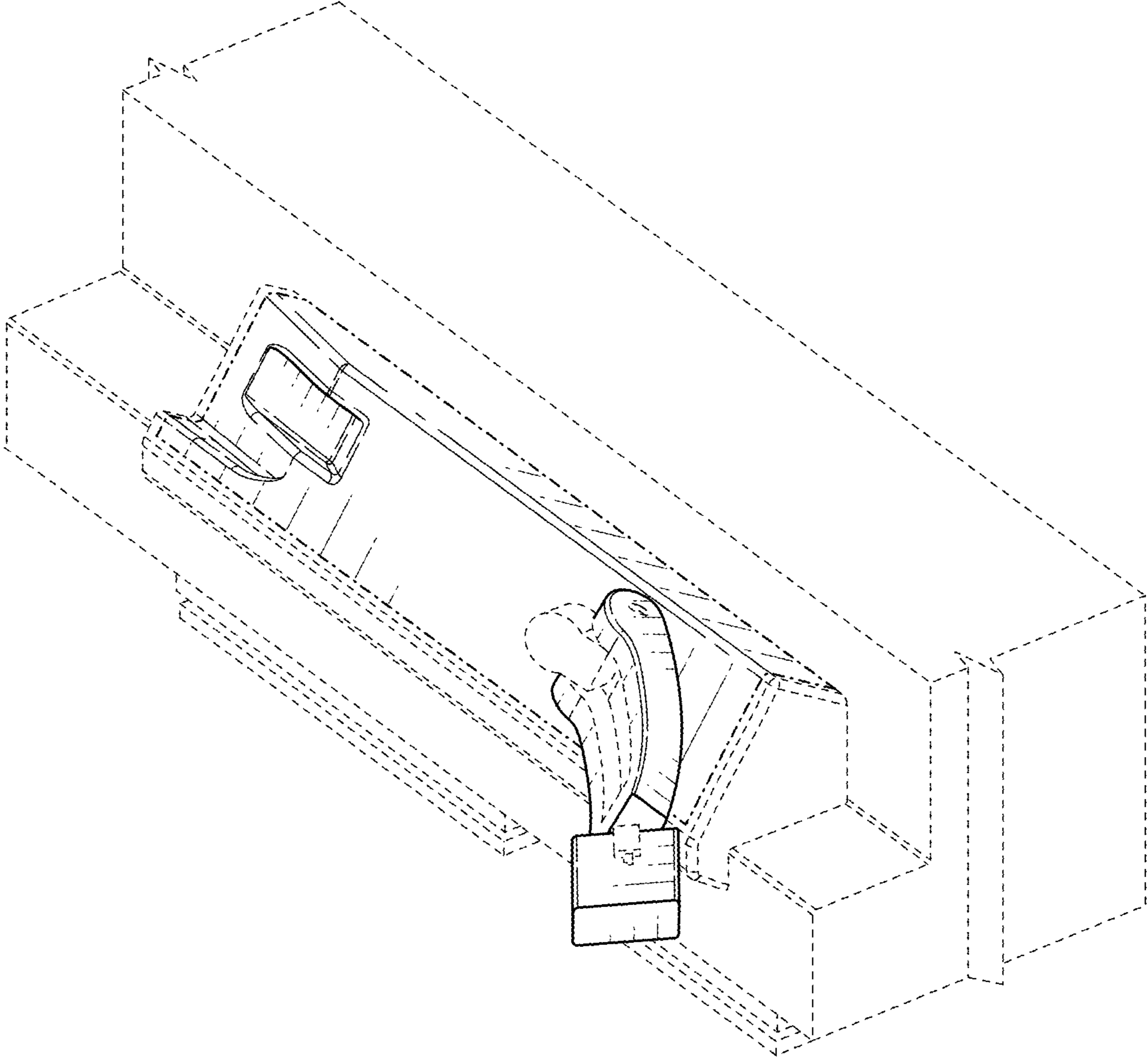


FIG. 10

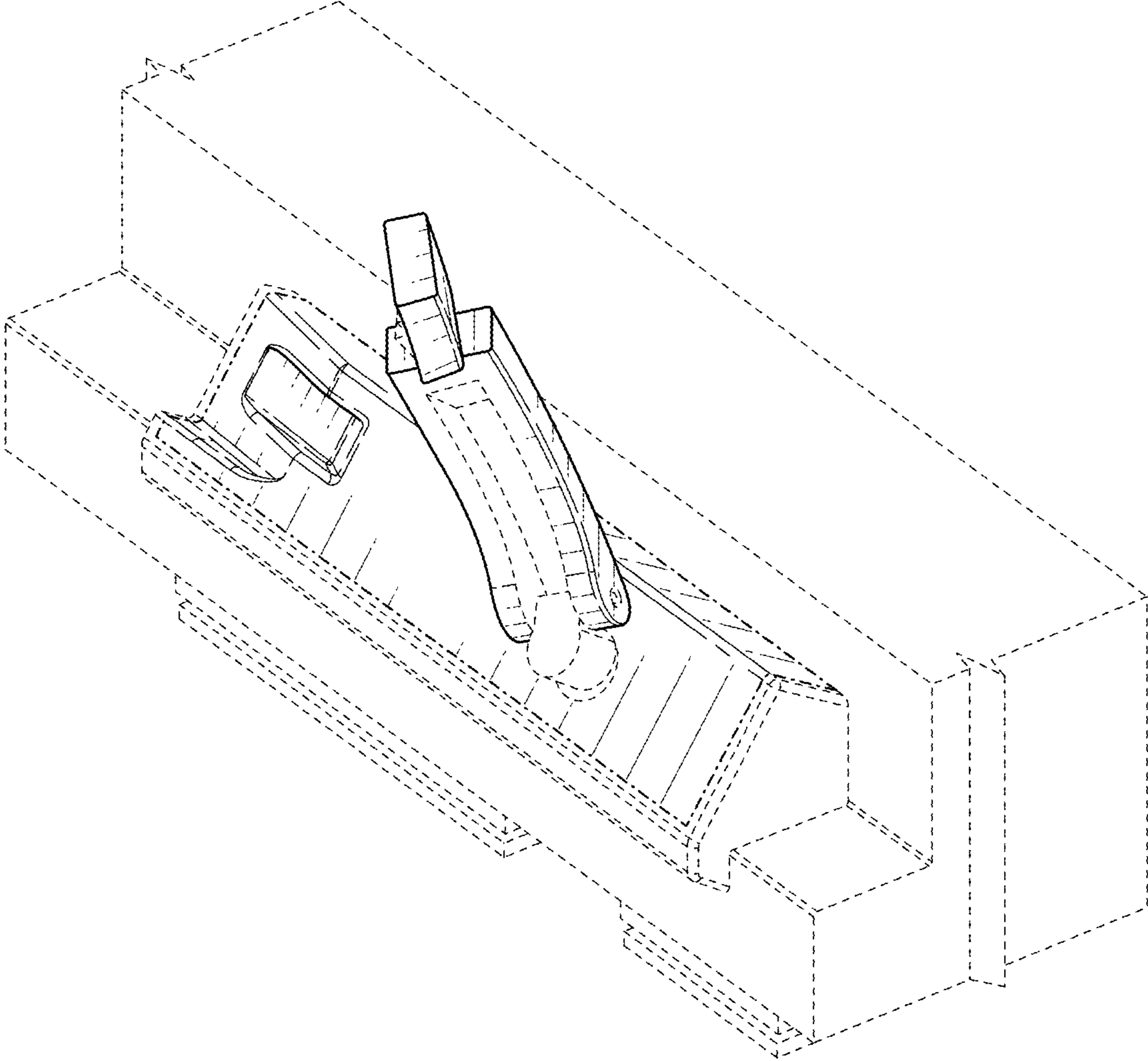


FIG. 11

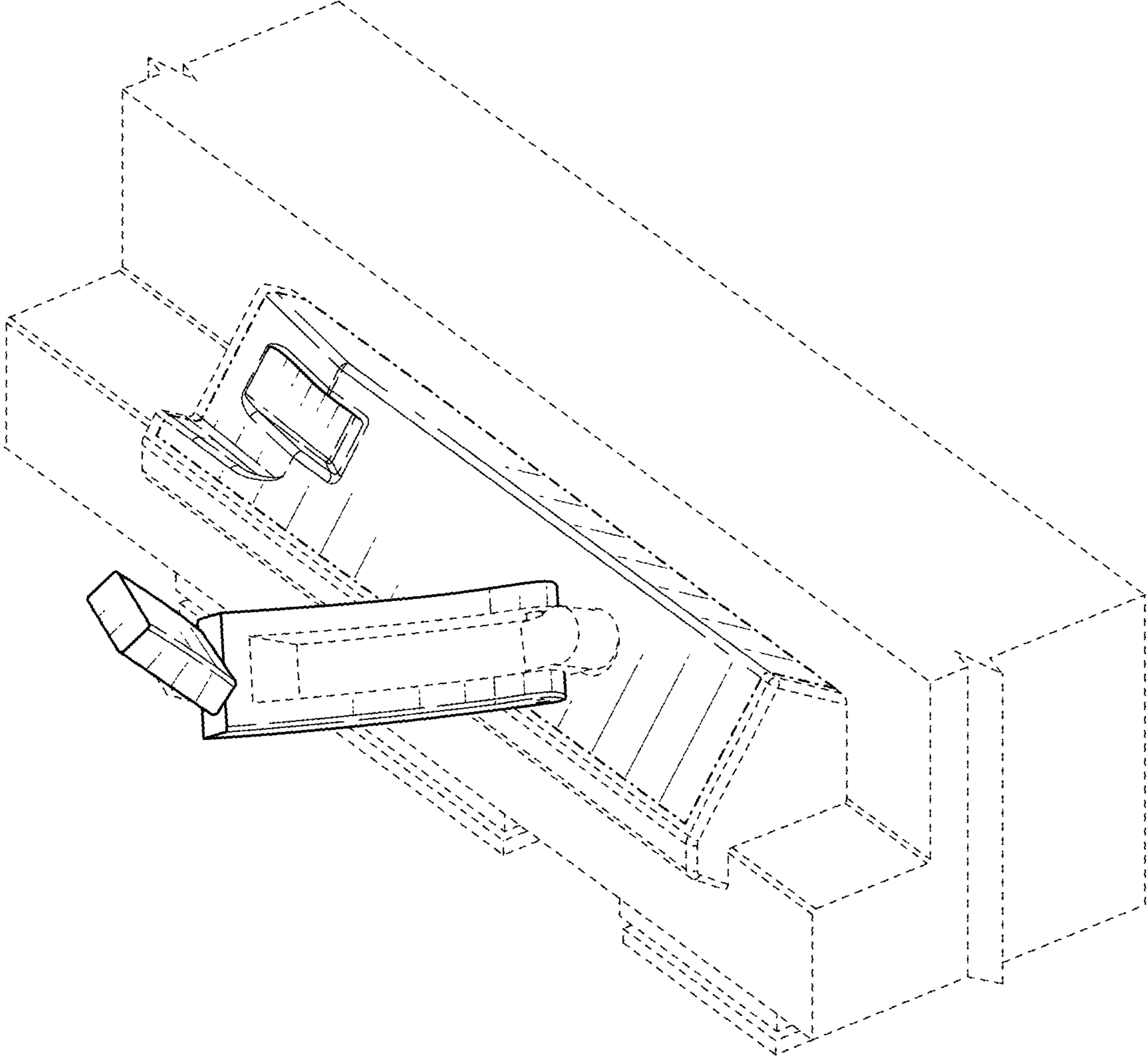


FIG. 12

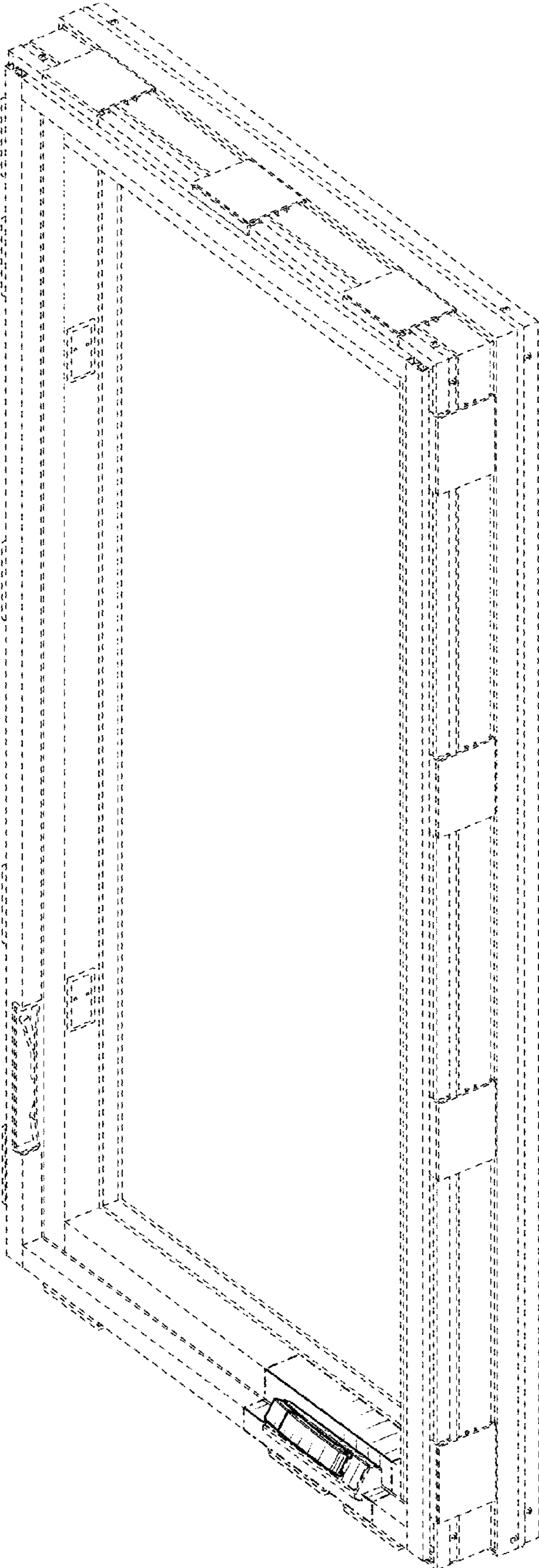


FIG. 13

UNITED STATES PATENT AND TRADEMARK OFFICE
CERTIFICATE OF CORRECTION

PATENT NO. : D895,414 S
APPLICATION NO. : 29/726492
DATED : September 8, 2020
INVENTOR(S) : Woodward et al.

Page 1 of 1

It is certified that error appears in the above-identified patent and that said Letters Patent is hereby corrected as shown below:

On the Title Page

Item (71), in “Applicant”, in Column 1, Line 2, delete “LLC,” and insert --LLC d/b/a Marvin Windows and Doors,-- therefor

Item (73), in “Assignee”, in Column 1, Line 2, delete “LLC,” and insert --LLC d/b/a Marvin Windows and Doors,-- therefor

Signed and Sealed this
First Day of February, 2022



Drew Hirshfeld
*Performing the Functions and Duties of the
Under Secretary of Commerce for Intellectual Property and
Director of the United States Patent and Trademark Office*