



US00D895413S

(12) **United States Design Patent** (10) **Patent No.:** **US D895,413 S**
Woodward et al. (45) **Date of Patent:** **** Sep. 8, 2020**

(54) **FENESTRATION HARDWARE**
(71) Applicant: **Marvin Lumber and Cedar Company**, Warroad, MN (US)
(72) Inventors: **Bradley D. Woodward**, Warroad, MN (US); **Ross Michael Hollermann**, Salol, MN (US)
(73) Assignee: **Marvin Lumber and Cedar Company, LLC**, Eagan, MN (US)
(**) Term: **15 Years**
(21) Appl. No.: **29/680,612**
(22) Filed: **Feb. 18, 2019**
(51) **LOC (12) Cl.** **08-09**
(52) **U.S. Cl.**
USPC **D8/400; D8/337**
(58) **Field of Classification Search**
USPC D8/330, 331, 336, 337, 338, 341, 380, D8/373, 349, 300, 301, 400-499
CPC ... E05B 17/0004; E05B 17/00; E05B 17/0025
See application file for complete search history.

(56) **References Cited**

U.S. PATENT DOCUMENTS

D316,509 S *	4/1991	Nolte	D8/337
D388,689 S *	1/1998	Bauman	D8/337
D403,572 S *	1/1999	Robinson	D8/331
D408,263 S *	4/1999	Briggs	D8/337
D440,143 S *	4/2001	Minter	D8/338
6,425,611 B1 *	7/2002	Minter	E05B 7/00 292/336.3
6,450,554 B1 *	9/2002	Rotondi	E05C 9/02 292/139
D560,112 S *	1/2008	Baczuk	D8/337

(Continued)

Primary Examiner — Keli L Hill

Assistant Examiner — Harold E Blackwell, II
(74) *Attorney, Agent, or Firm* — Schwegman Lundberg & Woessner, P.A.

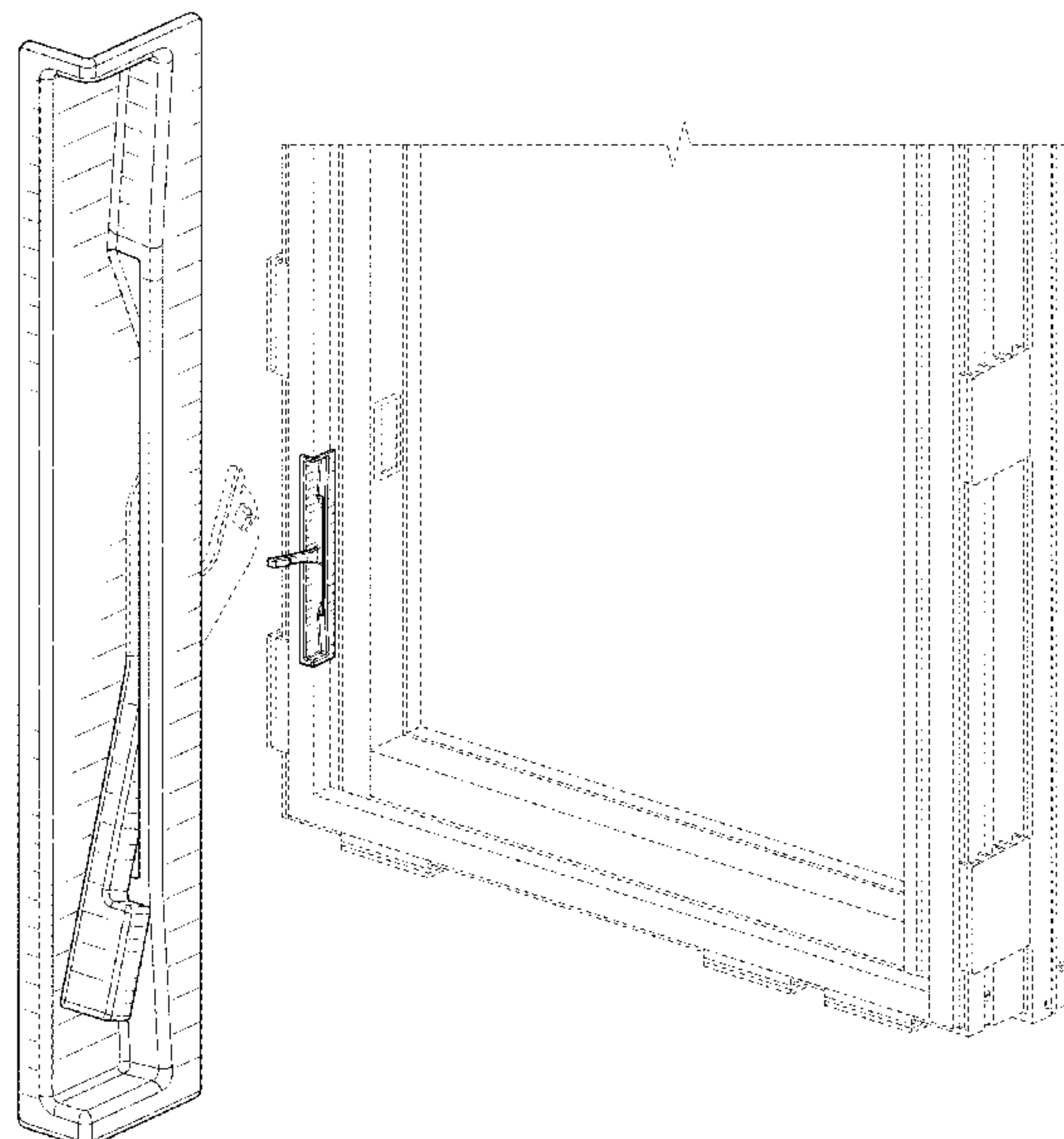
(57) **CLAIM**

The ornamental design for a fenestration hardware, as shown and described.

DESCRIPTION

FIG. 1 is a first perspective view of the fenestration hardware, installed in a fenestration assembly, showing the new design.
FIG. 2 is a second perspective view of the fenestration hardware of FIG. 1 in a locked configuration.
FIG. 3 is a front view of the fenestration hardware of FIG. 2.
FIG. 4 is a back view of the fenestration hardware of FIG. 2.
FIG. 5 is a top view of the fenestration hardware of FIG. 2.
FIG. 6 is a bottom view of the fenestration hardware of FIG. 2.
FIG. 7 is a first side view of the fenestration hardware of FIG. 2.
FIG. 8 is a second side view of the fenestration hardware of FIG. 2.
FIG. 9 is a third perspective view of the fenestration hardware of FIG. 1 in an intermediate configuration.
FIG. 10 is a fourth perspective view of the fenestration hardware of FIG. 1 in an unlocked configuration.
FIG. 11 is a sectional view of the fenestration hardware of FIG. 1; and,
FIG. 12 is a fourth perspective view of the fenestration hardware of FIG. 1.
The dot dash dot lines immediately adjacent to the shaded areas represent the bounds of the claimed design. All other broken lines are directed to unclaimed features and form no part of the claimed design.

1 Claim, 8 Drawing Sheets



(56)

References Cited

U.S. PATENT DOCUMENTS

7,441,811 B2 * 10/2008 Lawrence E05B 17/0025
292/110
D620,347 S * 7/2010 Siverhus D8/400
D621,255 S * 8/2010 Siverhus D8/400
8,269,627 B2 * 9/2012 Gore G08B 13/04
292/240
D687,288 S * 8/2013 Lawrence D8/331
8,533,997 B2 * 9/2013 Stoutenborough E05B 5/00
292/336.3
9,109,384 B2 * 8/2015 Minter E05C 19/10
10,228,266 B1 * 3/2019 McGruder G08B 13/08
10,234,307 B1 * 3/2019 McGruder H01H 11/005
2007/0096476 A1 * 5/2007 Vetter E05B 17/0025
292/137

* cited by examiner

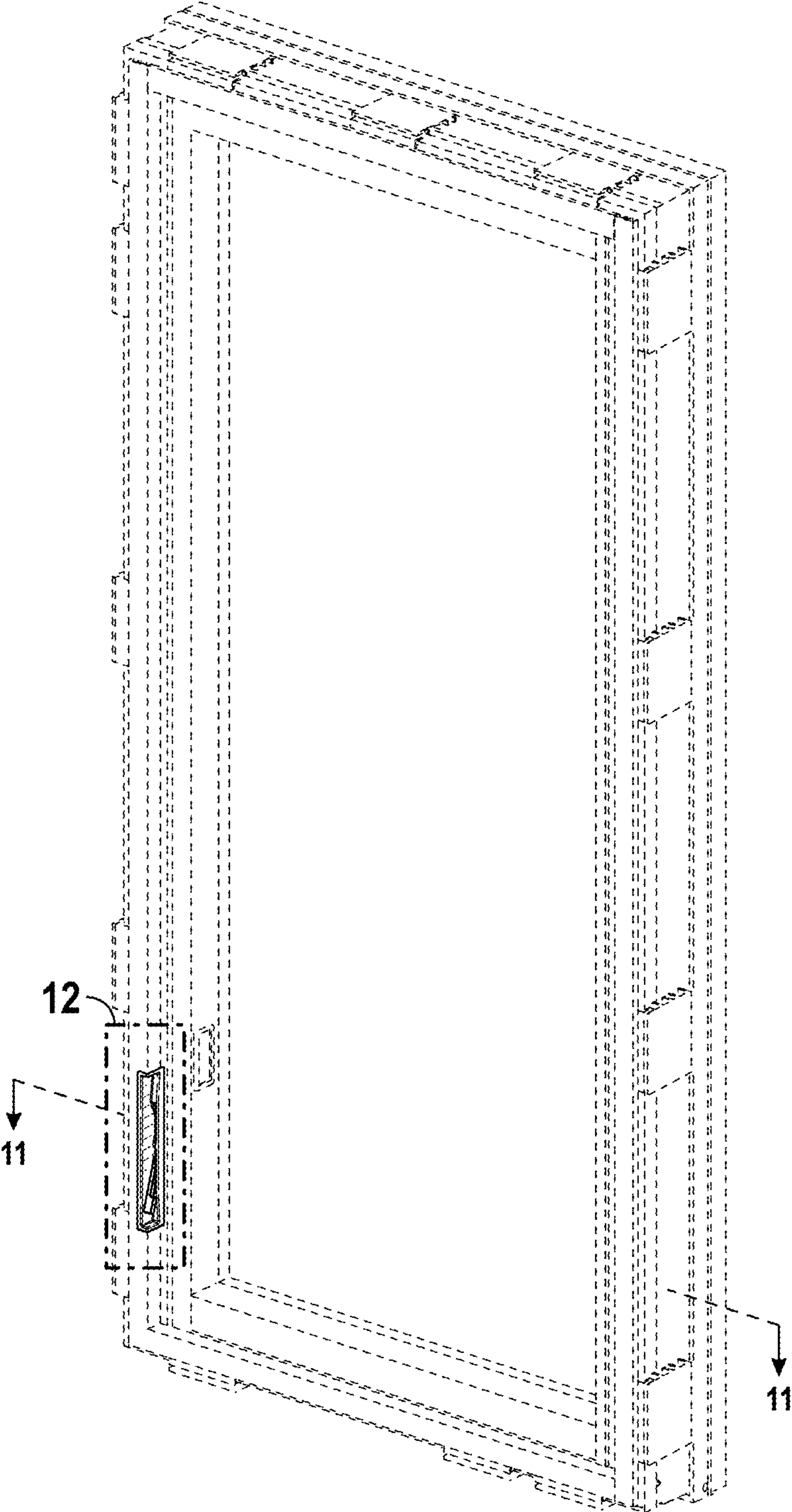


FIG. 1

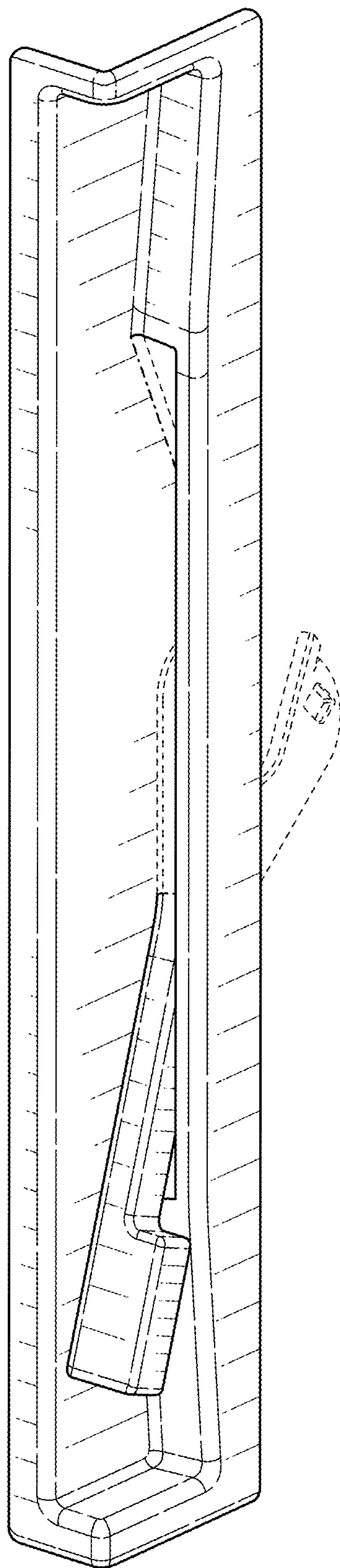


FIG. 2

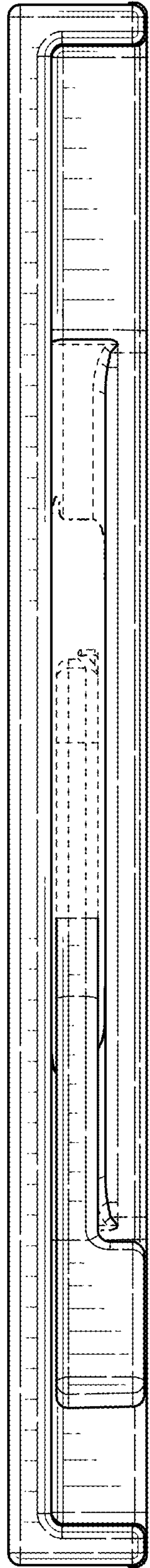


FIG. 3

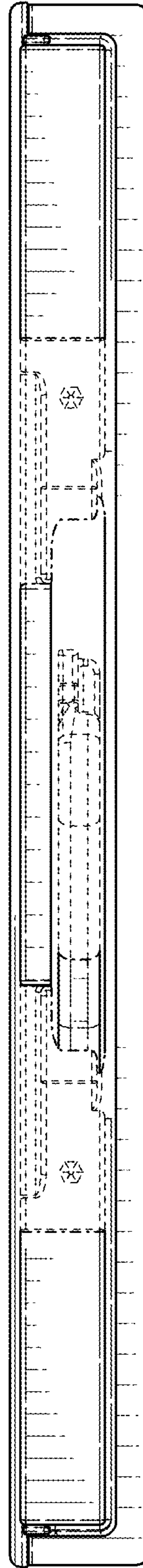


FIG. 4

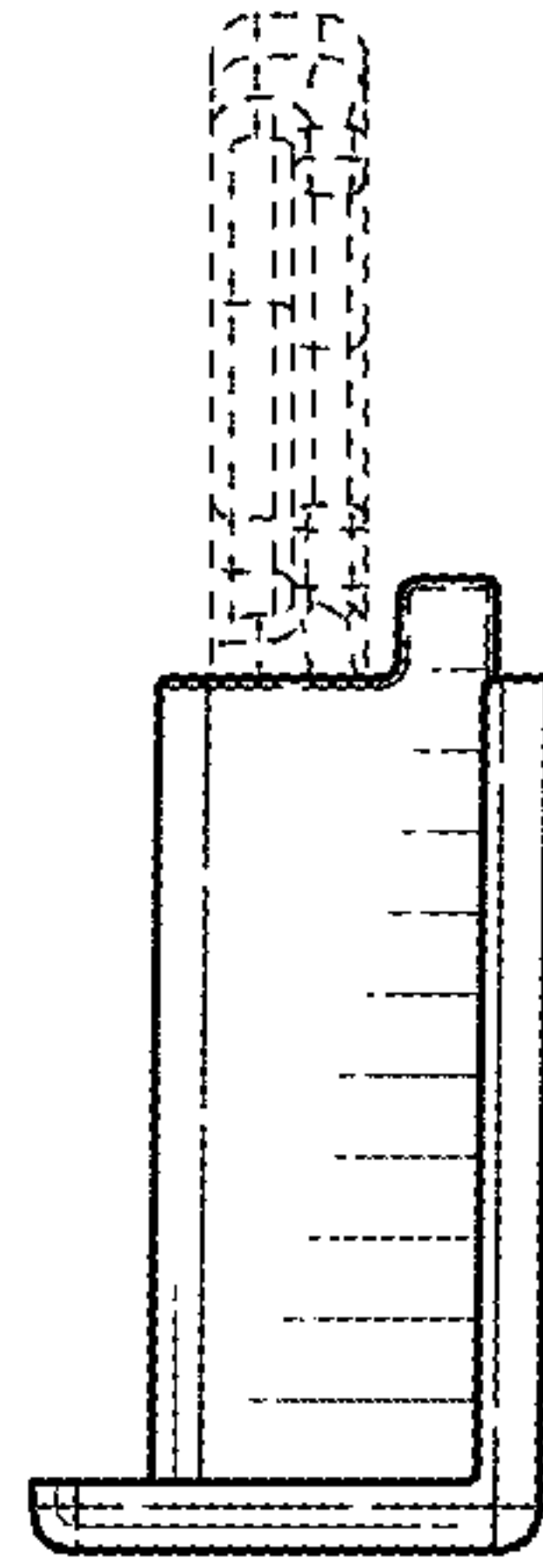


FIG. 5

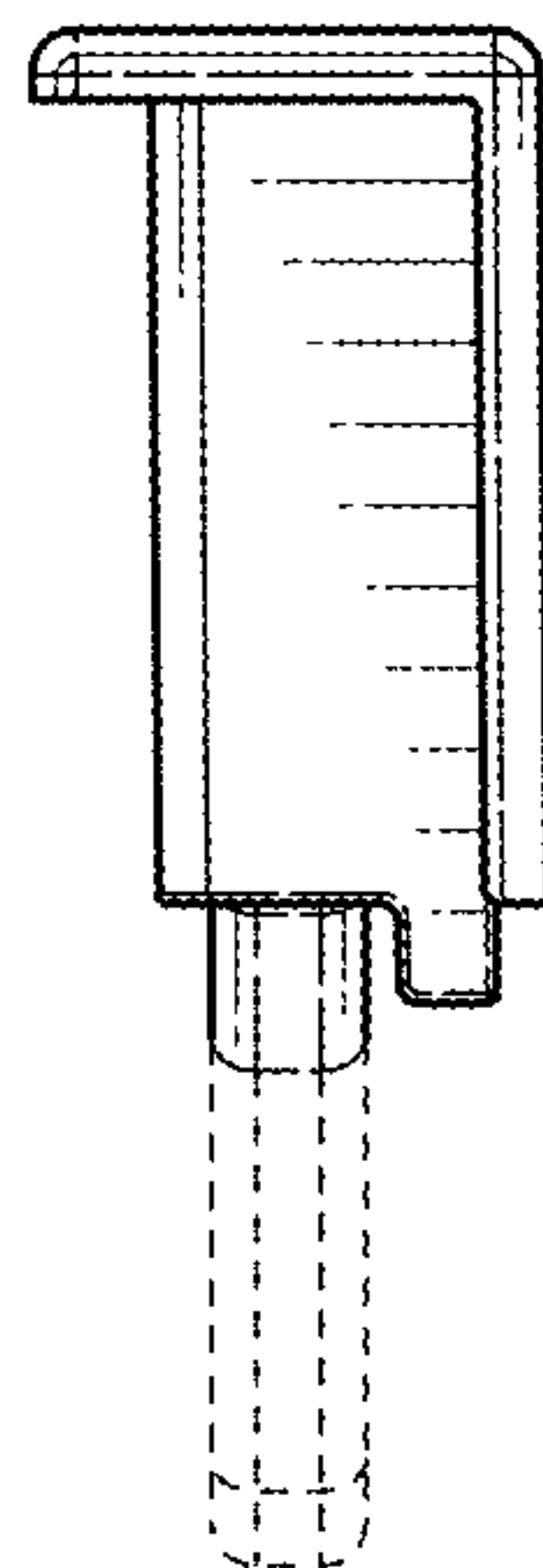


FIG. 6

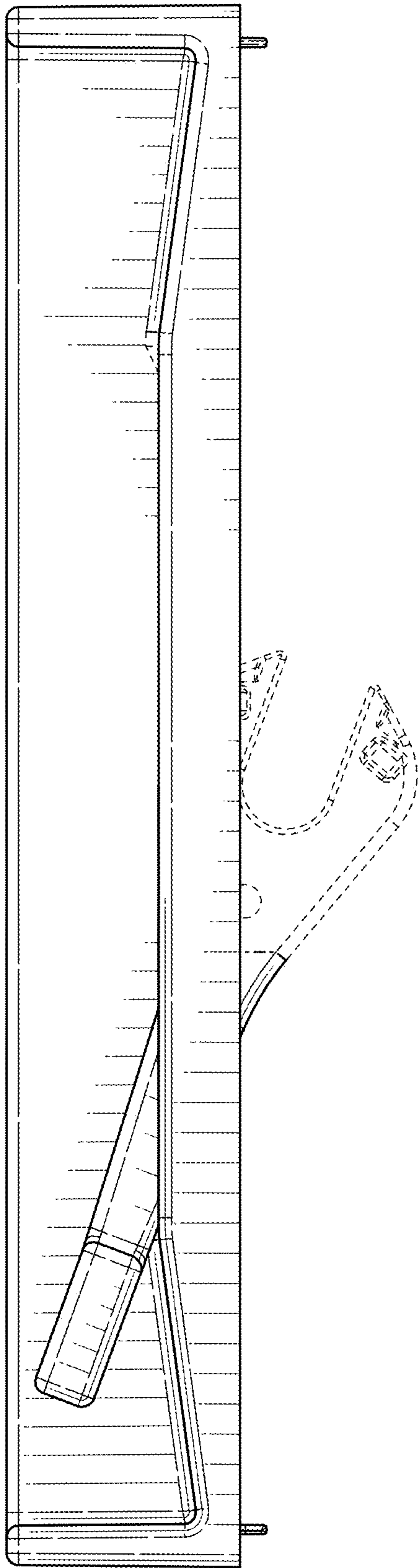


FIG. 7

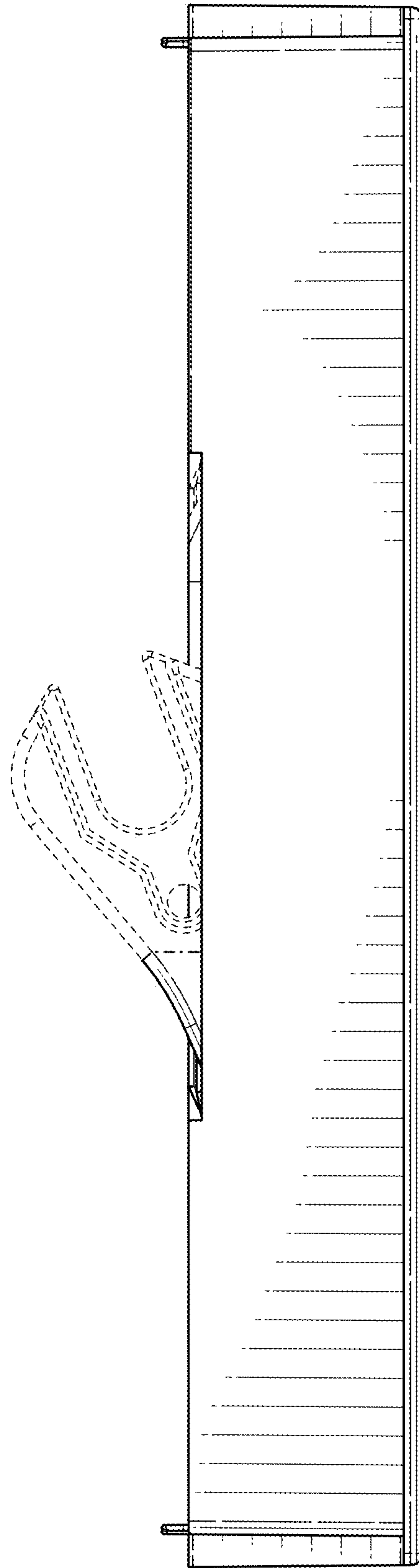


FIG. 8

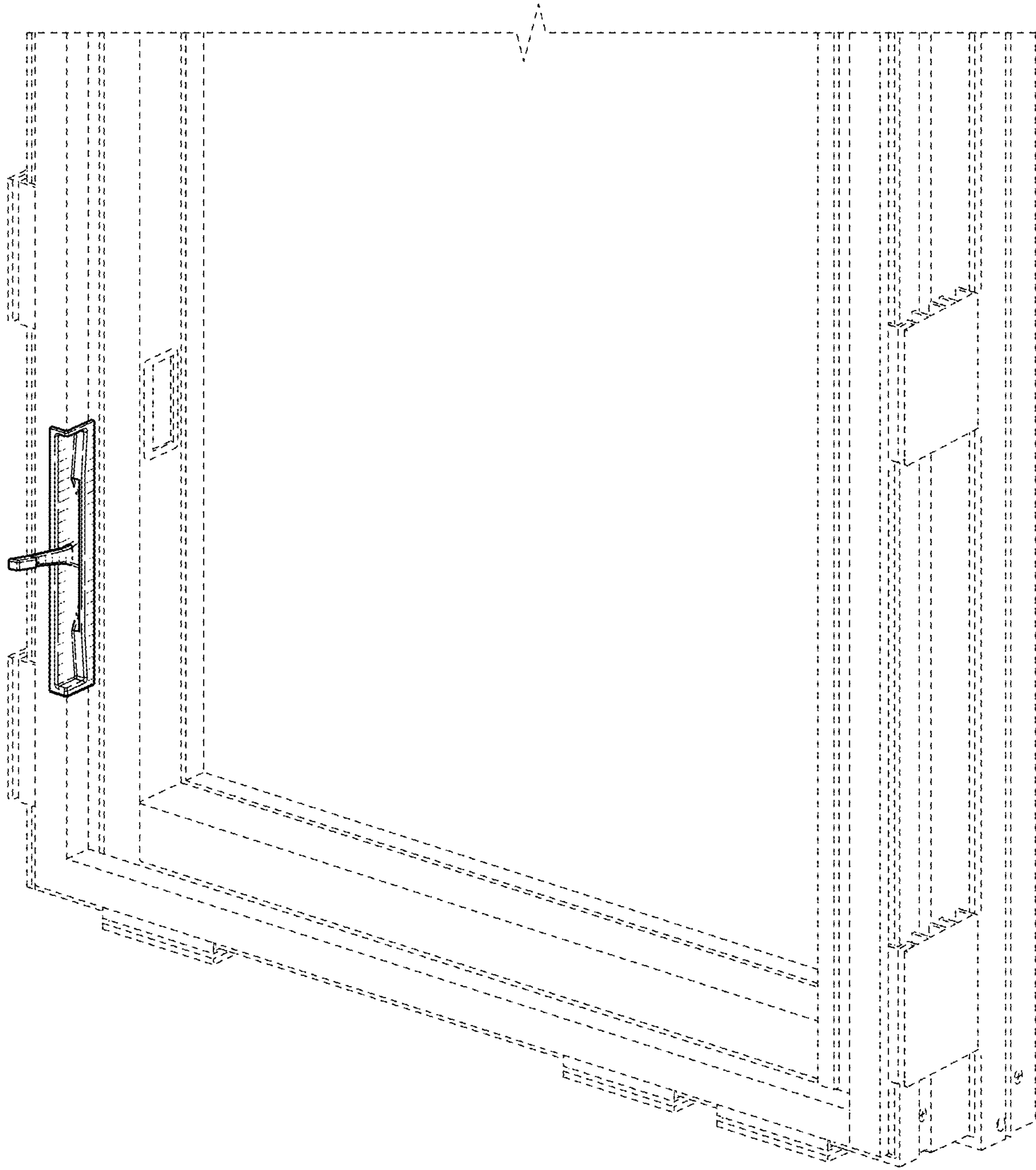


FIG. 9

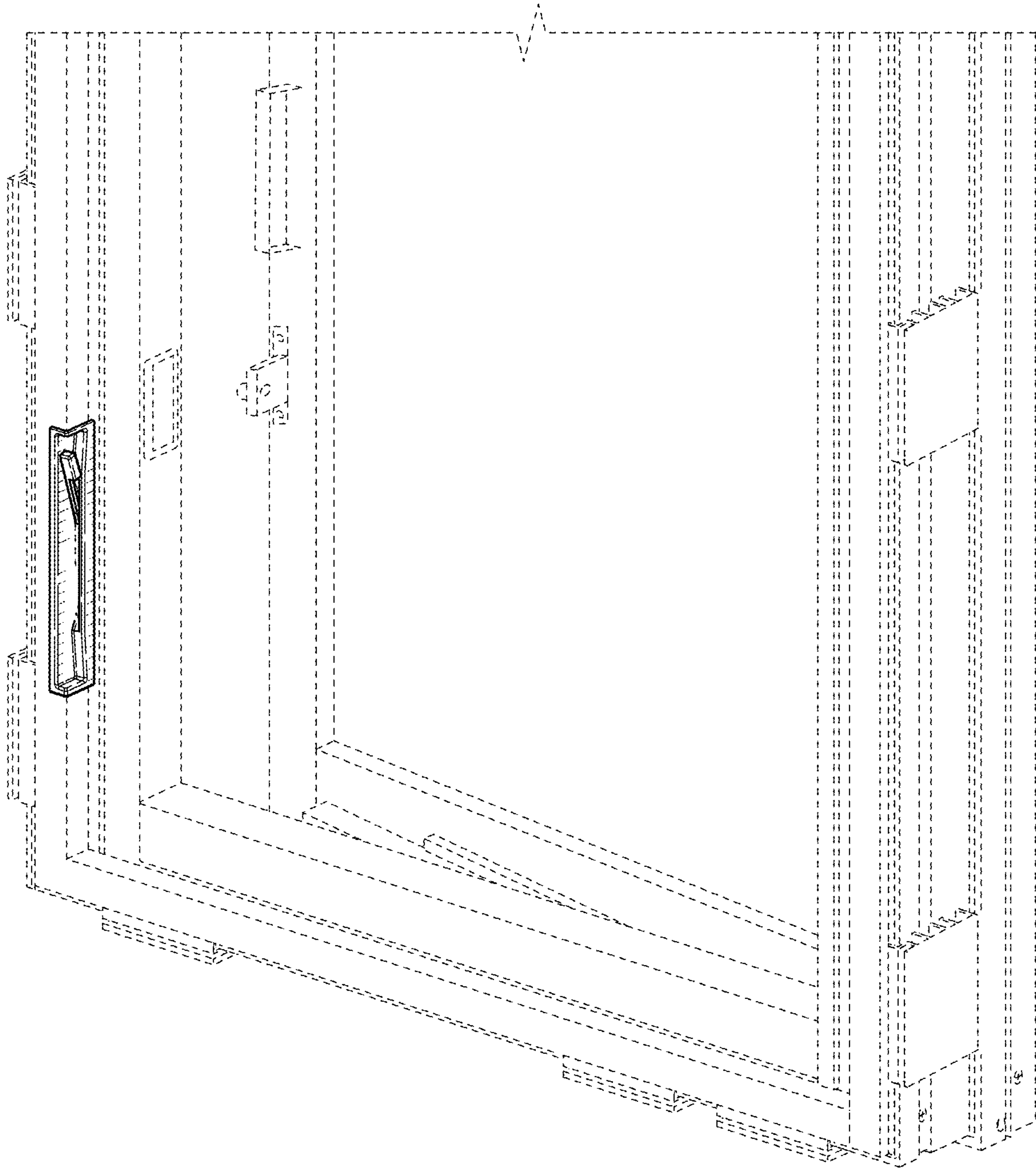


FIG. 10

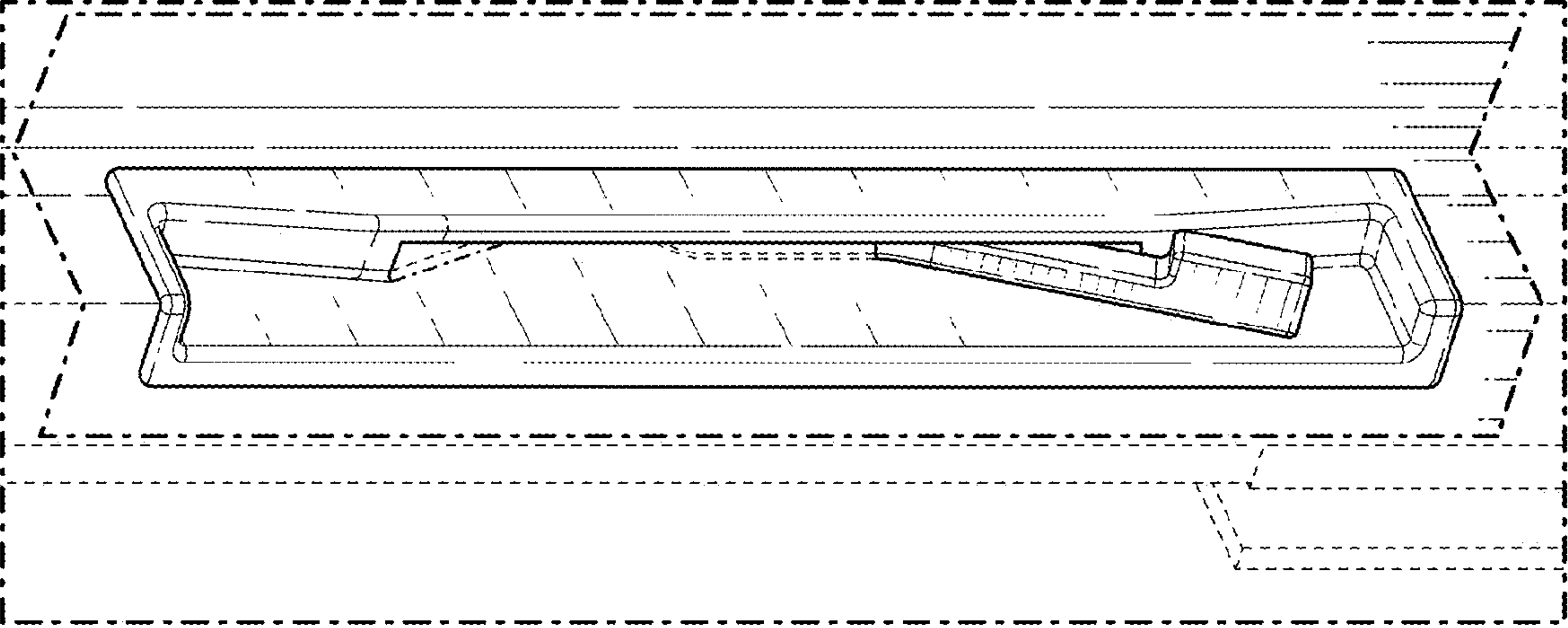


FIG. 12

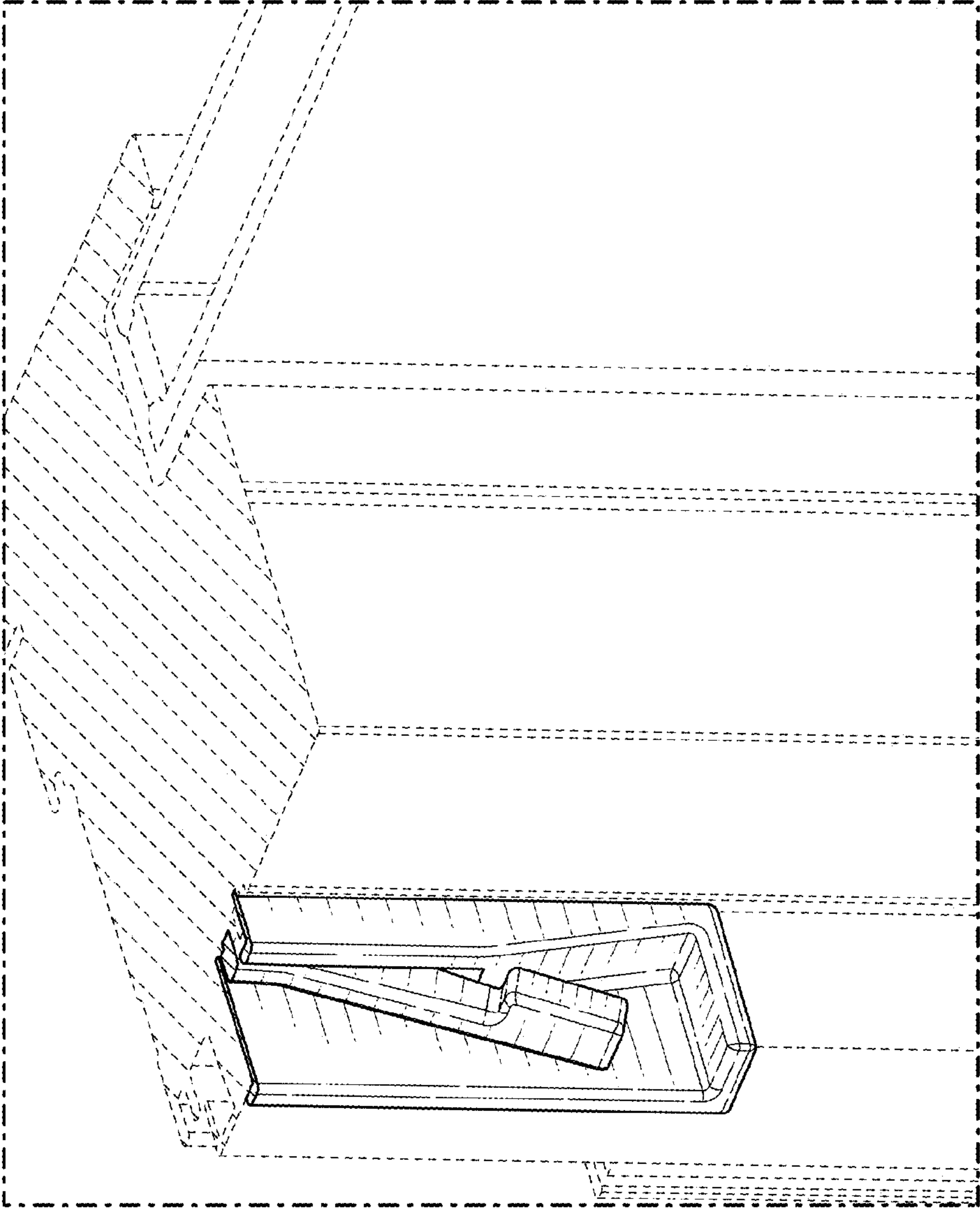


FIG. 11

UNITED STATES PATENT AND TRADEMARK OFFICE
CERTIFICATE OF CORRECTION

PATENT NO. : D895,413 S
APPLICATION NO. : 29/680612
DATED : September 8, 2020
INVENTOR(S) : Woodward et al.

Page 1 of 1

It is certified that error appears in the above-identified patent and that said Letters Patent is hereby corrected as shown below:

On the Title Page

Item (71), in "Applicant", in Column 1, Line 2, after "Company," insert --d/b/a Marvin Windows and Doors,--

Item (73), in "Assignee", in Column 1, Line 2, delete "LLC," and insert --LLC d/b/a Marvin Windows and Doors,-- therefor

Signed and Sealed this
First Day of February, 2022



Drew Hirshfeld
*Performing the Functions and Duties of the
Under Secretary of Commerce for Intellectual Property and
Director of the United States Patent and Trademark Office*