



US00D895412S

(12) **United States Design Patent** (10) **Patent No.:** **US D895,412 S**
Chung (45) **Date of Patent:** **** Sep. 8, 2020**

(54) **SPRING CLIP**

(71) Applicant: **Richard Chung**, Pomona, CA (US)

(72) Inventor: **Richard Chung**, Pomona, CA (US)

(**) Term: **15 Years**

(21) Appl. No.: **29/680,945**

(22) Filed: **Feb. 21, 2019**

(51) **LOC (12) Cl.** **08-08**

(52) **U.S. Cl.**
USPC **D8/395**

(58) **Field of Classification Search**

USPC D8/21-29, 29.1, 114, 499, 321, 81, 52,
D8/61, 107, 57, 346, 334, 333, 72-75,
D8/393-395, 63, 93, 14, 330, 336, 400,
D8/349, 467, 356, 692, 693, 17, 367, 368,
D8/369, 370, 371; 81/119, 177.1, 177.2,
81/57.5, 478, 177.7, 177.8, 166;
16/87.4 R, 87.2; D15/148, 140, 138, 5
CPC B25B 13/08; B25B 13/00; B25B 13/481;
B25B 13/56; B25B 23/16; B25B 13/06;
B25B 23/0035; B25B 15/001; B25B
13/065; B25B 23/0021; B25B 15/008;
B25G 1/043; B25G 1/005; B25G 1/063;
B25G 1/085; B25G 1/066; B25G 1/102

See application file for complete search history.

(56) **References Cited**

U.S. PATENT DOCUMENTS

4,569,105 A * 2/1986 Weider A63B 21/0728
24/544
6,551,042 B1 * 4/2003 Grant F16B 21/186
24/27
D532,292 S * 11/2006 Duwel D8/395
D560,481 S * 1/2008 Dinger D8/395
D633,157 S * 2/2011 Knapp D21/684
8,142,335 B1 * 3/2012 Leach A63B 21/0728
482/107
D742,463 S * 11/2015 An D21/684

D805,141 S * 12/2017 Nicoud D21/684
D846,969 S * 4/2019 Trammell D8/339
D848,255 S * 5/2019 Pham D8/394
2013/0072359 A1 * 3/2013 Leach A63B 21/0728
482/107

(Continued)

FOREIGN PATENT DOCUMENTS

CN 302070441 * 5/2012
CN 304326101 * 1/2017

(Continued)

OTHER PUBLICATIONS

Marcy, Marcy Spring Collars for 2-inch Olympic Size Weight Bar,
[online]retrieved Apr. 16, 2020, available from internet, www.
amazon.com (Year: 2020).*

(Continued)

Primary Examiner — Keli L Hill
Assistant Examiner — Sara S Sahneh
(74) *Attorney, Agent, or Firm* — Chen Yoshimura LLP

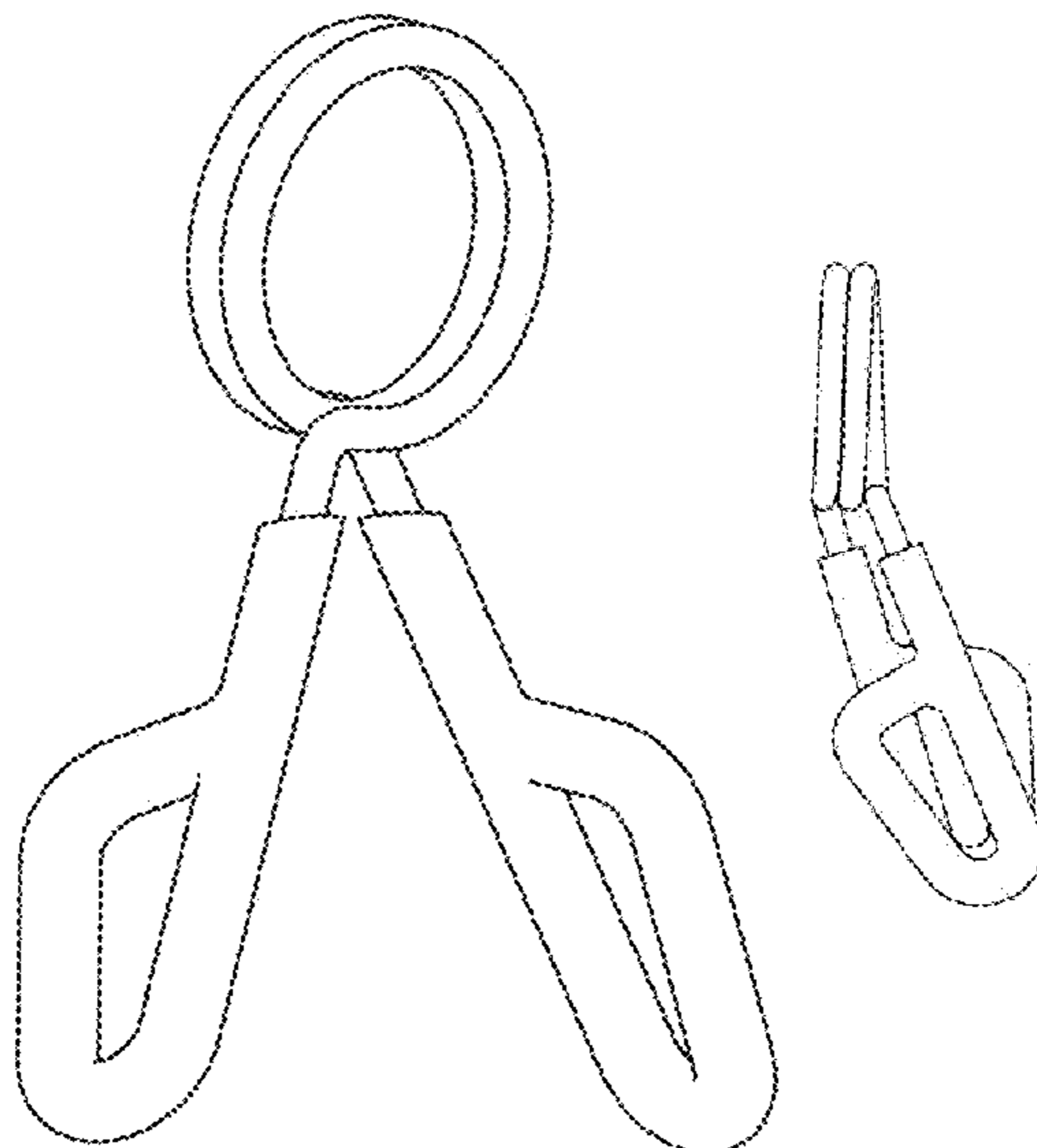
(57) **CLAIM**

The ornamental design for a spring clip, as shown.

DESCRIPTION

FIG. 1 is a front and left side perspective view of a spring clip showing my new design;
FIG. 2 is another perspective view thereof;
FIG. 3 is yet another perspective view thereof;
FIG. 4 is a front elevational view thereof;
FIG. 5 is a rear elevational view thereof;
FIG. 6 is a left side elevational view thereof;
FIG. 7 is a right side elevational view thereof;
FIG. 8 is a top plan view thereof; and,
FIG. 9 is a bottom plan view thereof.

1 Claim, 4 Drawing Sheets



(56)

References Cited

U.S. PATENT DOCUMENTS

2016/0263421 A1* 9/2016 Gvoich A63B 21/072
2017/0266490 A1* 9/2017 Bola A63B 21/0728

FOREIGN PATENT DOCUMENTS

CN 305875327 * 8/2019
GB 1016615 * 11/1983

OTHER PUBLICATIONS

Marcy, Marcy Weightlifting Accessory Spring Clip Collars for 1-inch Standard Size Weight Barbell Curl Bar and Dumbbell Handles, [online]retrieved Apr. 16, 2020, available from internet, www.amazon.com (Year: 2020).*

Fitness Maniac,Fitness Maniac 2 X Olympic 2" Spring Collar Weight Bars Clips Dumbbell Barbell Clamp Bar Gym, [online] retrieved Jul. 1, 2020, available from internet, www.amazon.com (Year: 2020).*

Yaheetech,Yaheetech 7ft Iron Olympic Barbell Bar Weight Lifting Bar Weight Workout Gym Fits 2-inch Weight Plates/Weight Bench, Date first available Mar. 20, 2020, [online]retrieved Jul. 1, 2020, available from internet, www.amazon.com (Year: 2020).*

Power Systems, Olympic Spring Barbell Collars, Pinch Spring Collars for Olympic Size Weight Training Bars, 2-Pack, Steel Chrome ,[online]retrieved Jul. 1, 2020, available from internet, www.amazon.com (Year: 2020).*

Fitness Gear, "Fitness Gear 300 lb. Olympic Weight Set", https://www.dickssportinggoods.com/p/fitness-gear-300-lbolympic-weight-set-16fgeu300lbstwth7brb/16fgeu300lbstwth7brb?camp=CSE:DSG_92700041170828611_pla_pla-3453021452888,gclid=EAlalQobChMpl_72M654AIVsRx9Ch2esAfpEAQYASABEgLv_D_BwE&gclid=aw.ds, 8 pages, printed from the Internet on May 30, 2019.

* cited by examiner

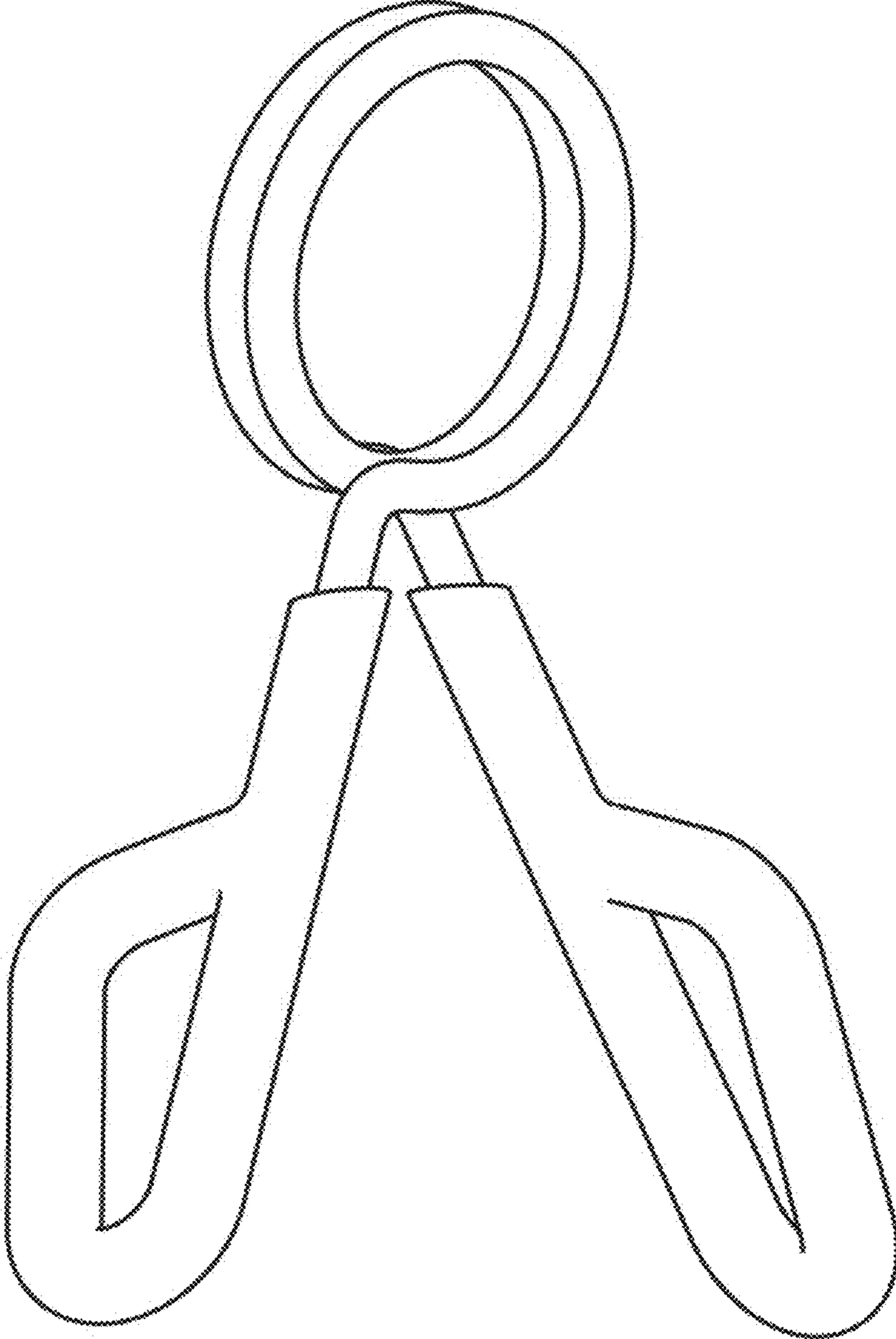


Fig. 1

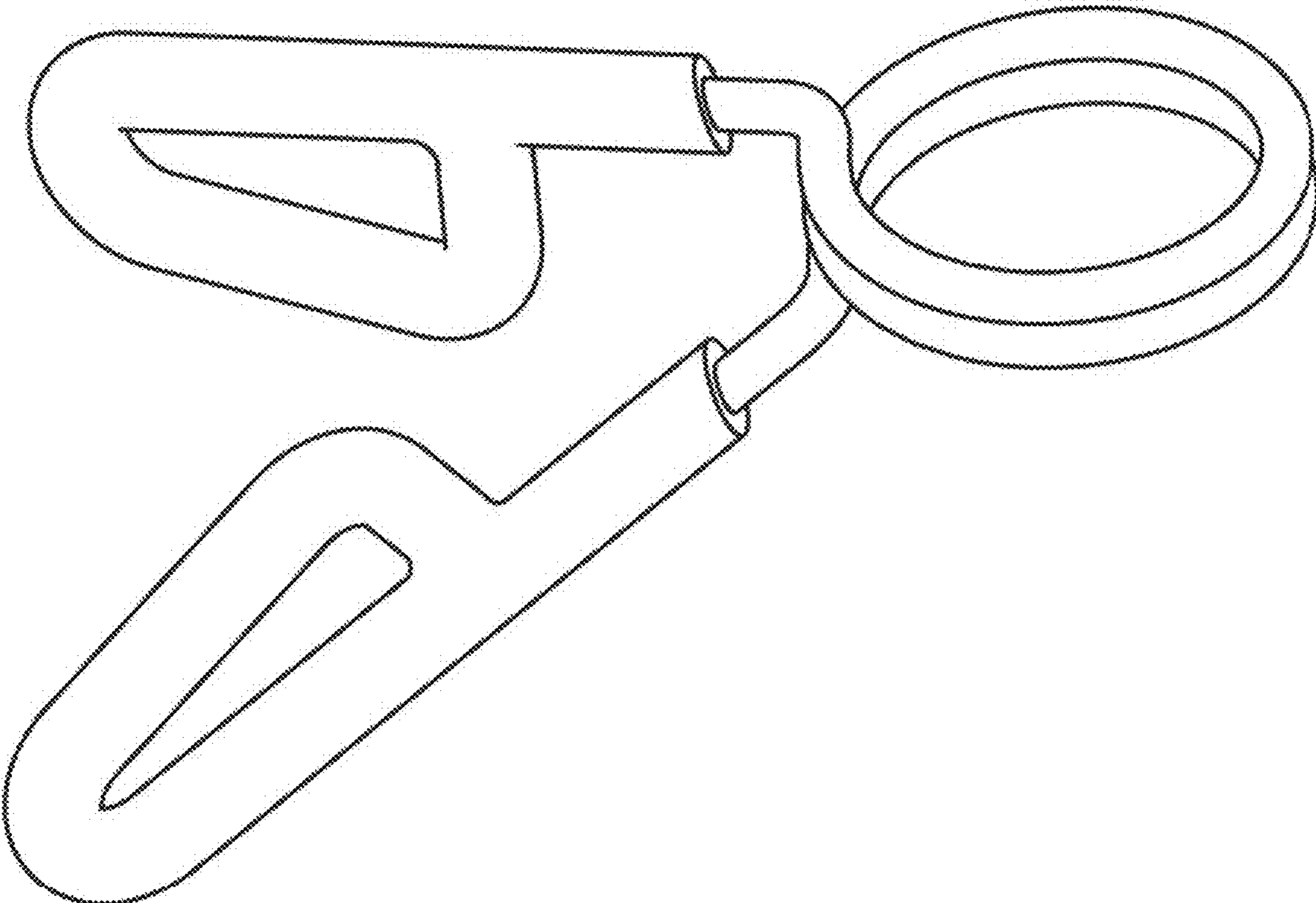


Fig. 2

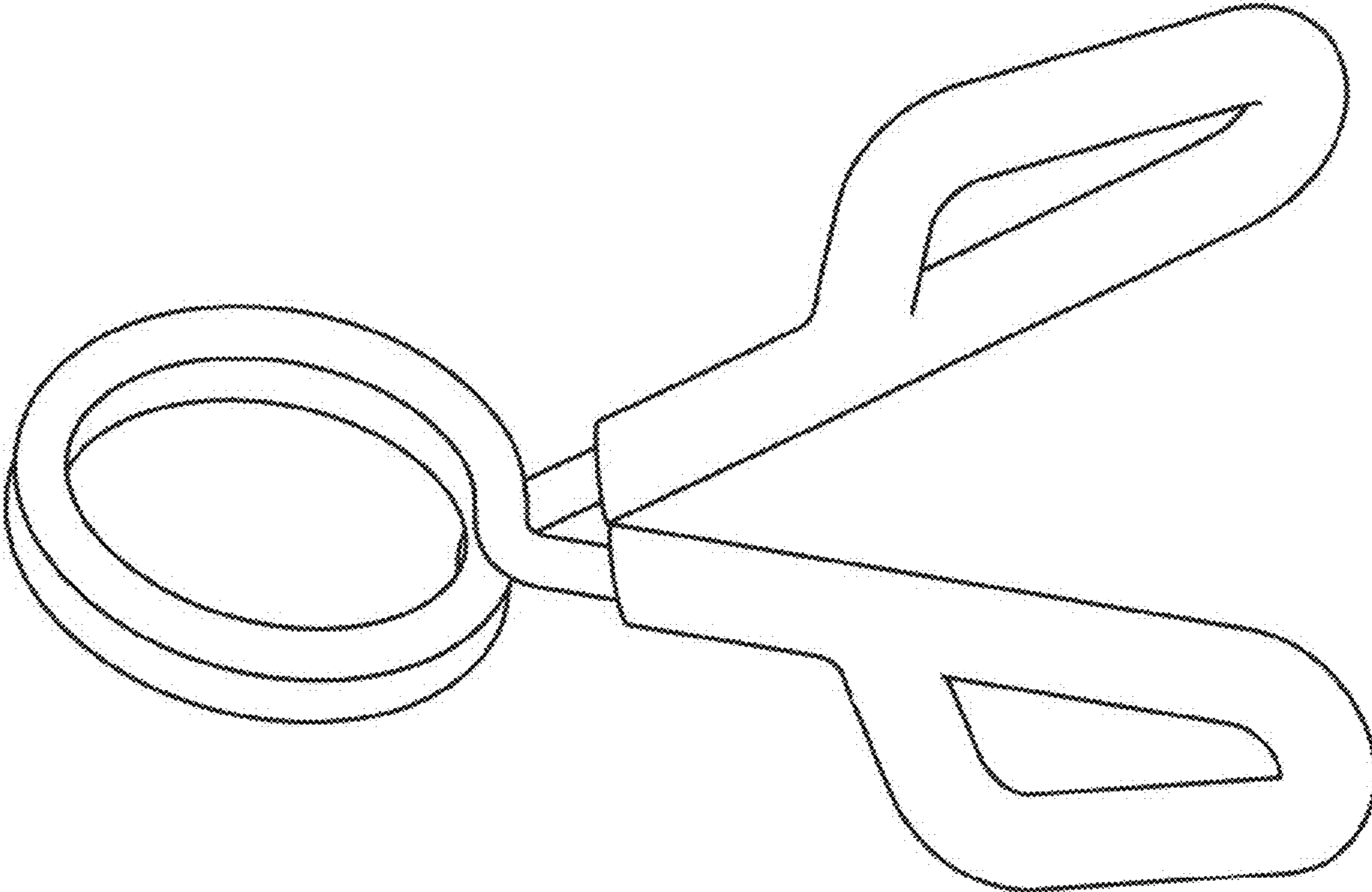


Fig. 3

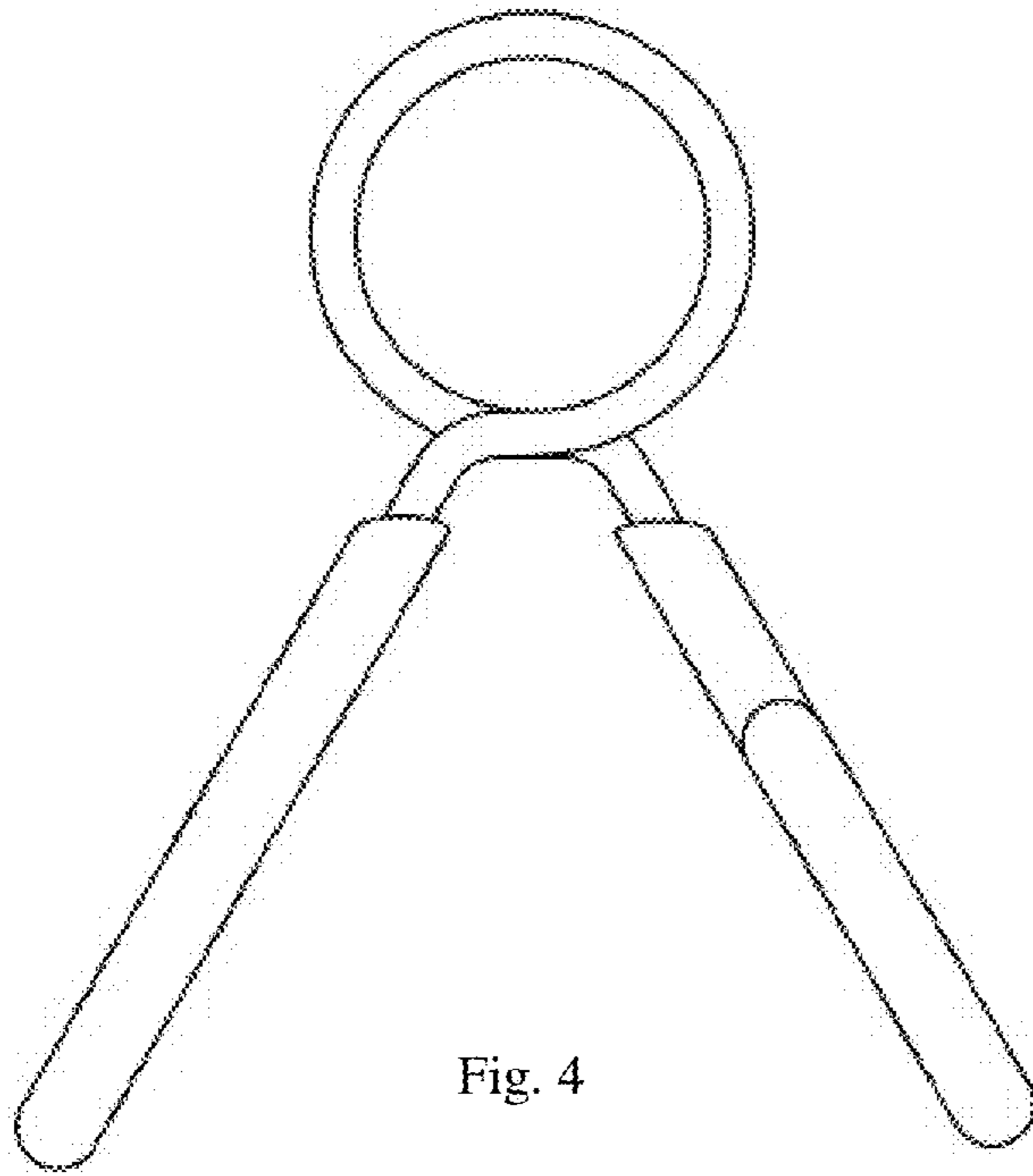


Fig. 4

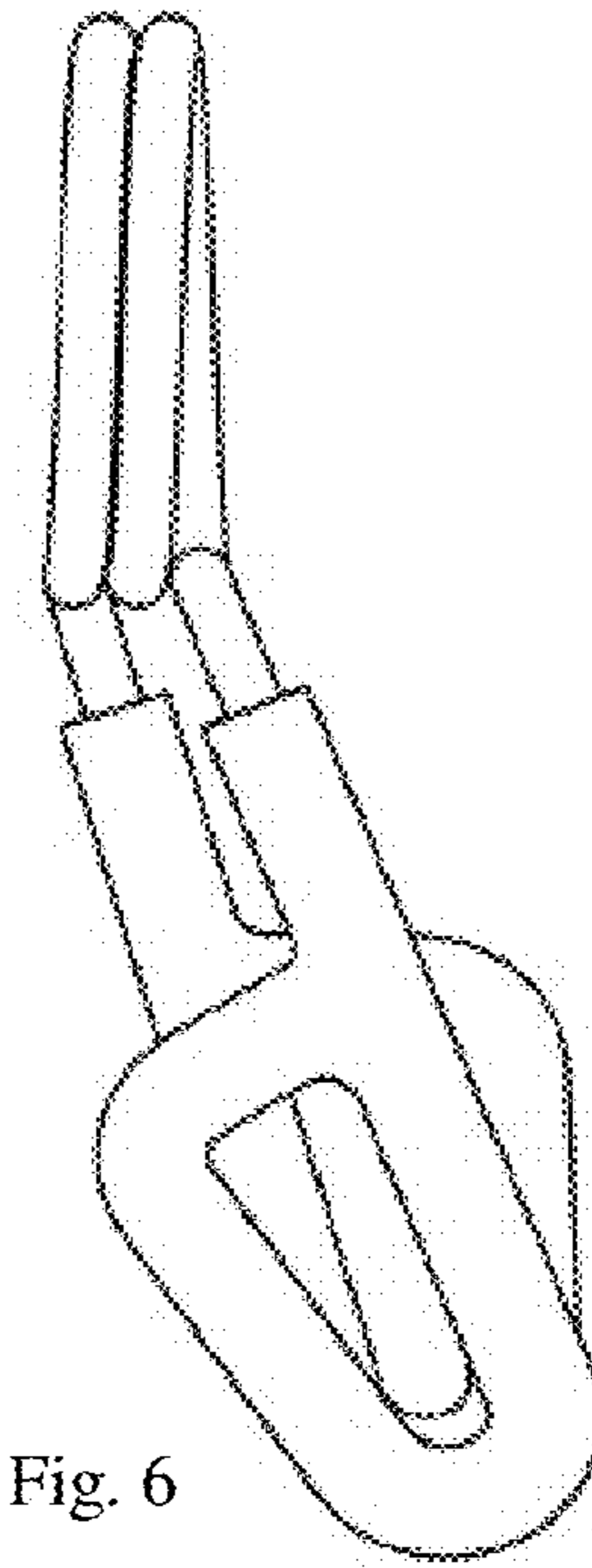


Fig. 6

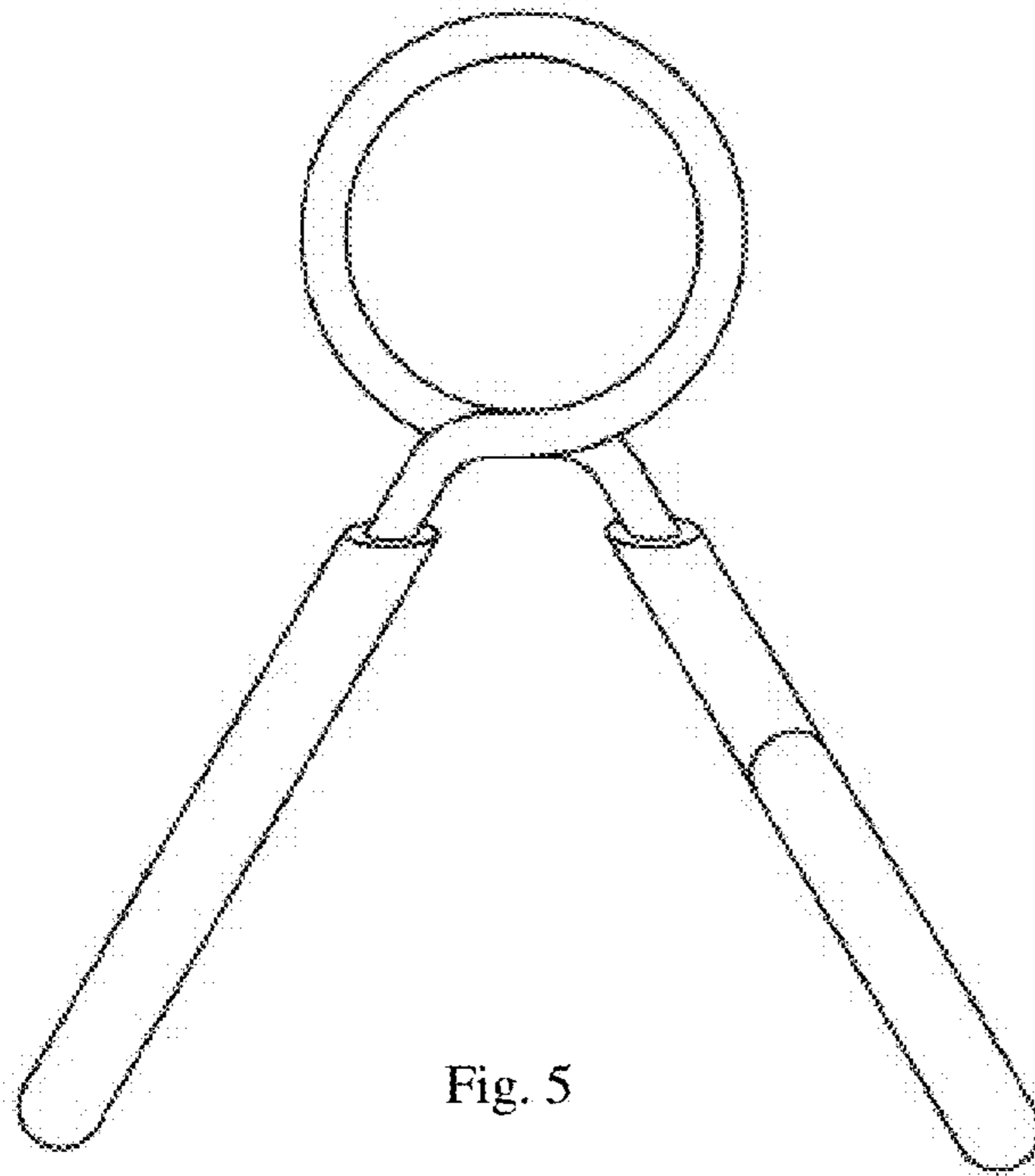


Fig. 5

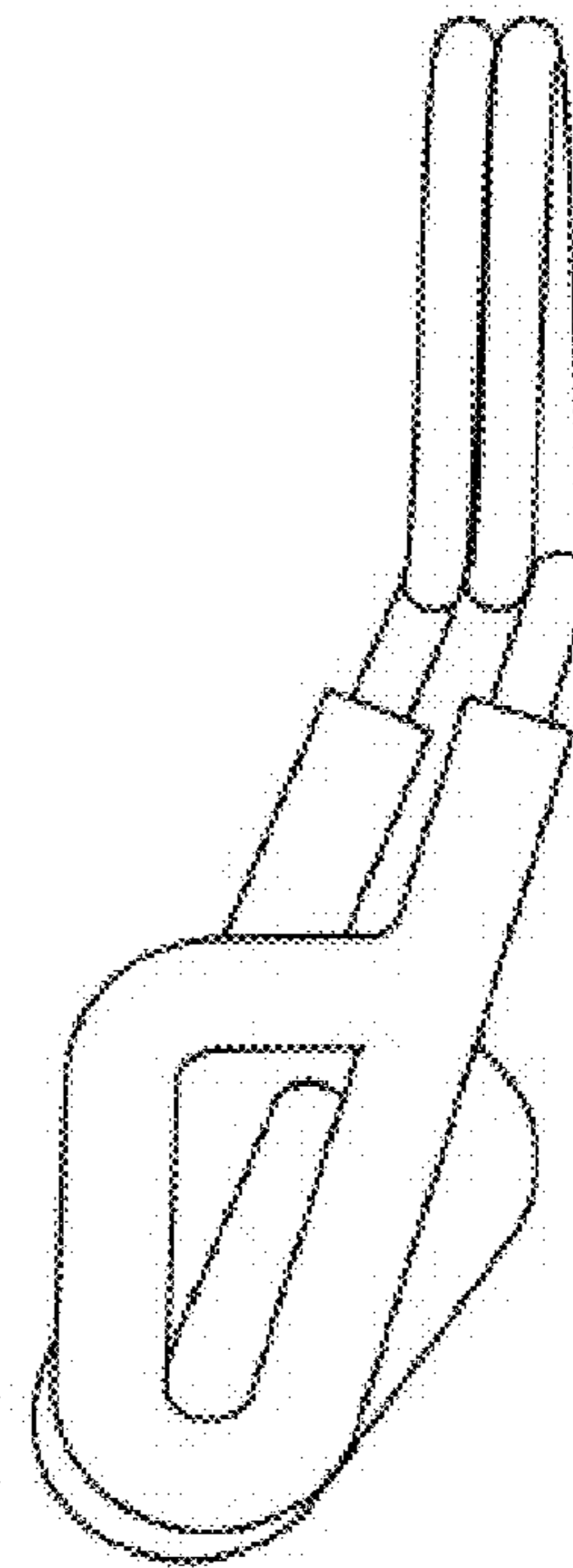


Fig. 7

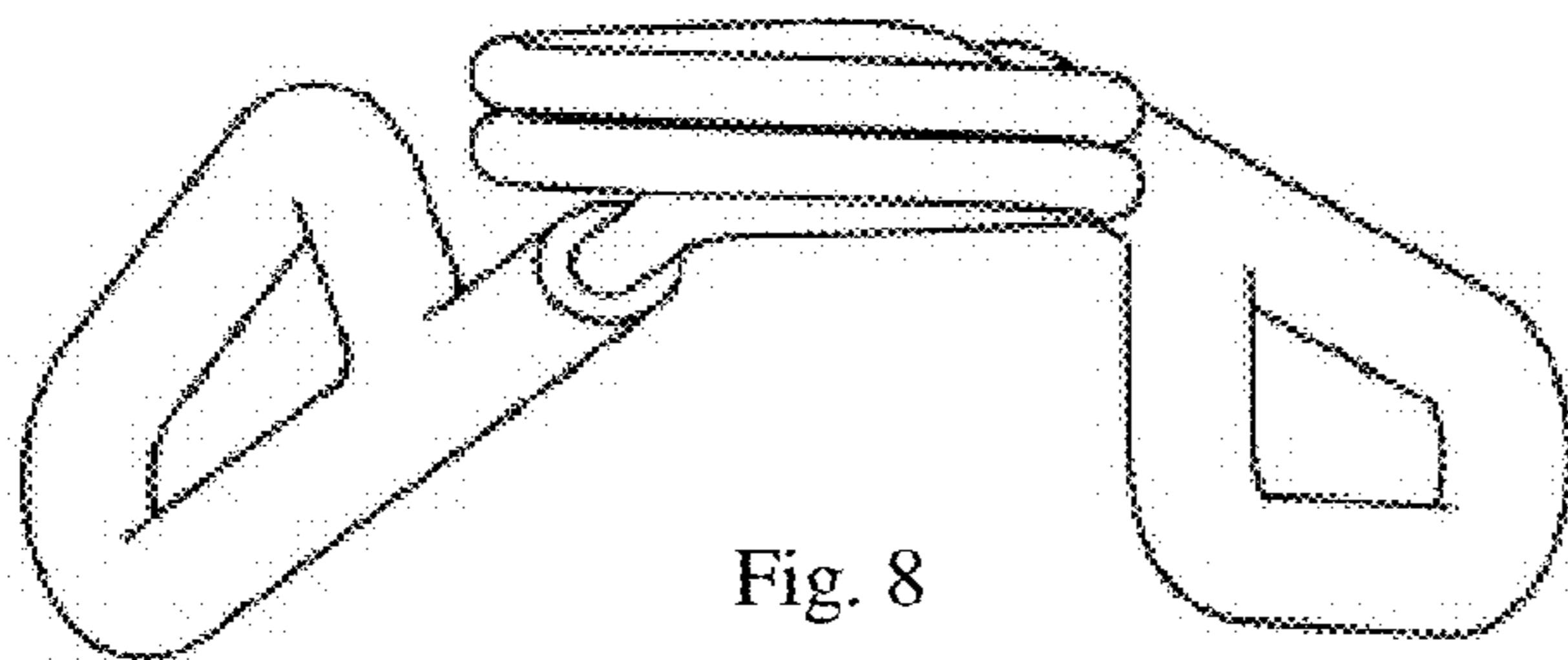


Fig. 8

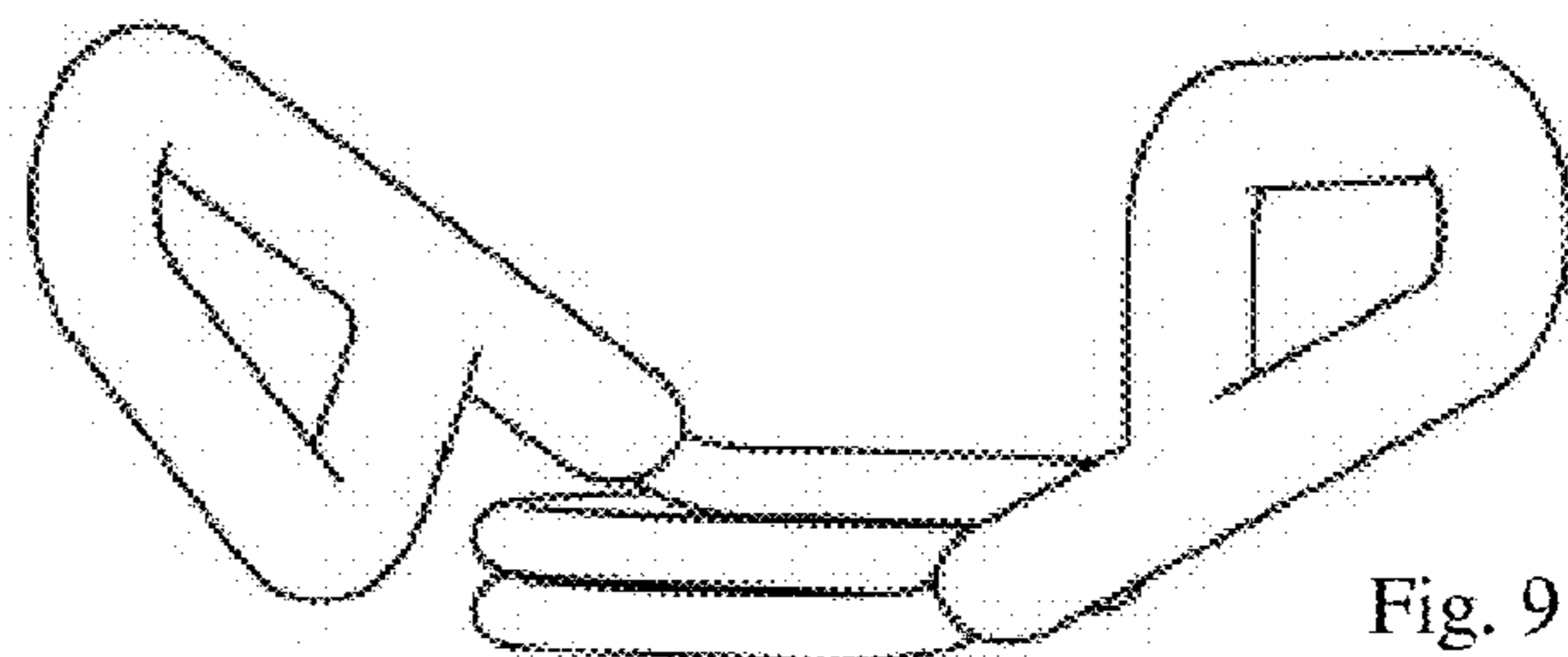


Fig. 9