



US00D895411S

(12) **United States Design Patent** (10) **Patent No.:** **US D895,411 S**
Camilleri et al. (45) **Date of Patent:** **** Sep. 8, 2020**

(54) **SCREW FASTENER**

(71) Applicant: **Illinois Tool Works Inc.**, Glenview, IL (US)

(72) Inventors: **Mark Anthony Camilleri**, Oatley (AU); **Bryan Hugh Marshall**, Turramurra (AU)

(73) Assignee: **Illinois Tool Works Inc.**, Glenview, IL (US)

(**) Term: **15 Years**

(21) Appl. No.: **29/659,632**

(22) Filed: **Aug. 10, 2018**

Related U.S. Application Data

(63) Continuation of application No. 29/594,366, filed on Feb. 17, 2017, now Pat. No. Des. 828,148.

(30) **Foreign Application Priority Data**

Aug. 31, 2016 (AU) 201614802

(51) **LOC (12) Cl.** **08-08**

(52) **U.S. Cl.**
USPC **D8/387**

(58) **Field of Classification Search**

USPC D8/387

CPC .. F16B 21/16; F16B 23/0007; F16B 23/0015; F16B 23/0023; F16B 23/003; F16B 23/0038; F16B 23/0046; F16B 23/0053; F16B 23/0061; F16B 25/0015; F16B 25/0021; F16B 25/0026; F16B 25/0031; F16B 25/0036; F16B 25/0042; F16B 25/0052; F16B 25/0063; F16B 25/0068; F16B 25/0084; F16B 25/10; F16B 25/103; F16B 25/106; F16B 35/005; F16B 35/04; F16B 35/041; F16B 35/044; F16B 35/048

See application file for complete search history.

(56) **References Cited**

U.S. PATENT DOCUMENTS

5,100,274 A	3/1992	Hasan et al.	
5,413,444 A	5/1995	Thomas et al.	
5,447,401 A *	9/1995	Jones	B60R 13/0206 411/411
5,919,020 A	7/1999	Walther	
D415,676 S *	10/1999	Negishi	D8/387
D416,475 S *	11/1999	DePrisco	D8/387
D419,431 S *	1/2000	Hollis	D8/387
6,152,666 A	11/2000	Walther et al.	
6,715,720 B2	4/2004	Finn	
6,789,989 B2	9/2004	Walther	

(Continued)

Primary Examiner — Lilyana Bekic

Assistant Examiner — Ieisha N Price

(74) *Attorney, Agent, or Firm* — Neal, Gerber & Eisenberg LLP

(57) **CLAIM**

The ornamental design for a screw fastener, as shown and described.

DESCRIPTION

FIG. 1 is a bottom perspective view of a screw fastener of our new design.

FIG. 2 is a top perspective view of the screw fastener of FIG. 1.

FIG. 3 is a front view of the screw fastener of FIG. 1.

FIG. 4 is a left side view of the screw fastener of FIG. 1.

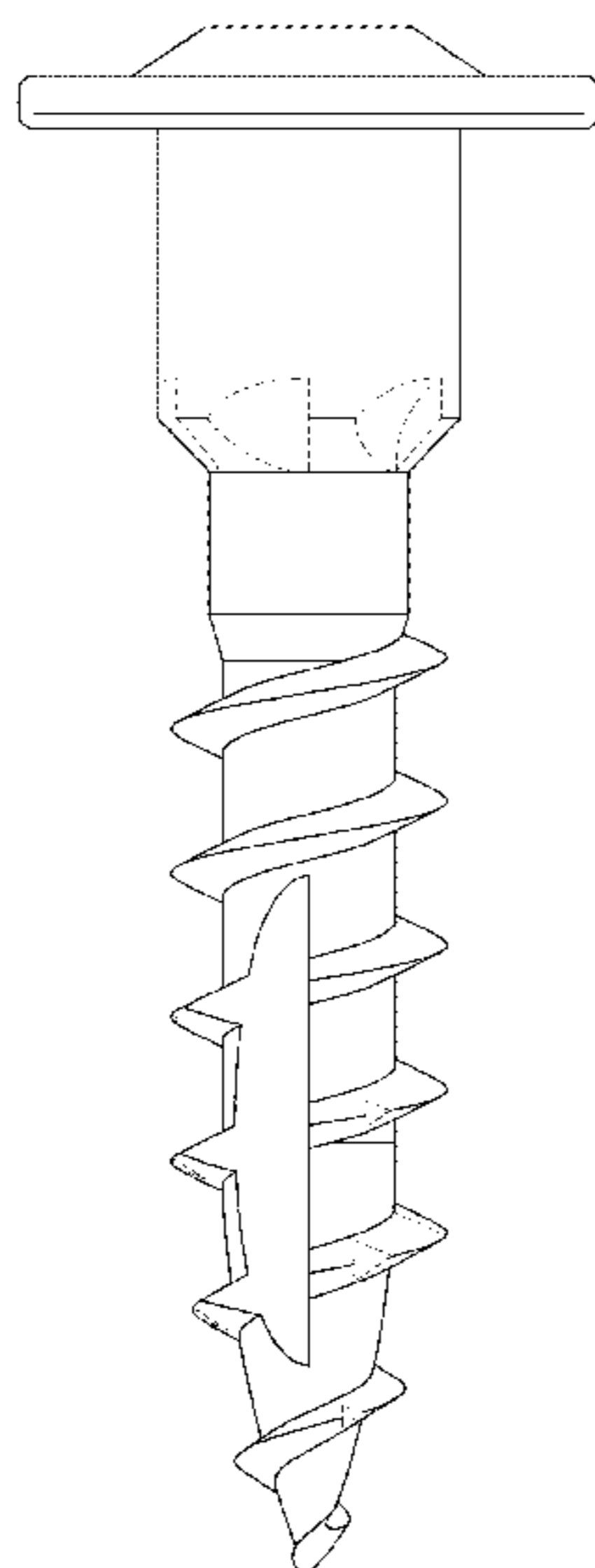
FIG. 5 is a right side view of the screw fastener of FIG. 1.

FIG. 6 is a top plan view of the screw fastener of FIG. 1; and,

FIG. 7 is a bottom plan view of the screw fastener of FIG. 1.

The broken lines in the drawings illustrate portions of the screw fastener and form no part of the claimed design.

1 Claim, 7 Drawing Sheets



(56)

References Cited

U.S. PATENT DOCUMENTS

6,926,484 B2	8/2005	Kram et al.			
D557,131 S *	12/2007	Liu	D8/387		
7,883,307 B2	2/2011	Pippard et al.			
8,192,123 B2	6/2012	Ernst et al.			
8,429,875 B2 *	4/2013	Bartlett	E04G 9/04 411/403		
9,055,986 B1 *	6/2015	Whipple	A61B 17/863		
D799,949 S *	10/2017	Stevenson	A61B 17/7037 D8/387		
9,957,994 B2 *	5/2018	Hsu	F16B 25/103		
D823,102 S *	7/2018	Camilleri	D8/387		
D828,148 S *	9/2018	Camilleri	D8/387		
2004/0120792 A1 *	6/2004	Winter	F16B 35/048 411/411		
2005/0058525 A1 *	3/2005	Bakos	F16B 35/048 411/424		
2006/0251493 A1	11/2006	Buhl			
2007/0286701 A1 *	12/2007	Hsu	F16B 25/0052 411/387.1		
2009/0269164 A1	10/2009	Gonciarz et al.			
2010/0158634 A1	6/2010	Walther			
2010/0172718 A1	7/2010	Gong et al.			
2011/0006454 A1	1/2011	Kawashiri			
2011/0064540 A1	3/2011	Walther			
2011/0211934 A1	9/2011	Walther			
2012/0003059 A1	1/2012	Tamaki			
2012/0266560 A1	10/2012	Panasik et al.			
2013/0084144 A1	4/2013	Walther			
2013/0131734 A1 *	5/2013	Longtain	A61B 17/7037 606/305		
2014/0328646 A1	11/2014	Muller			
2015/0052735 A1 *	2/2015	Kochheiser	F16B 25/0084 29/525.11		
2016/0290382 A1	10/2016	Dill			
2016/0316846 A1	11/2016	Salvetti et al.			
2017/0058934 A1 *	3/2017	Haak	F16B 11/006		
2017/0093052 A1 *	3/2017	Braun	H01R 4/56		
2017/0191519 A1 *	7/2017	Mac Donald	E04D 5/145		
2018/0100534 A1 *	4/2018	Dill	F16B 25/103		

* cited by examiner

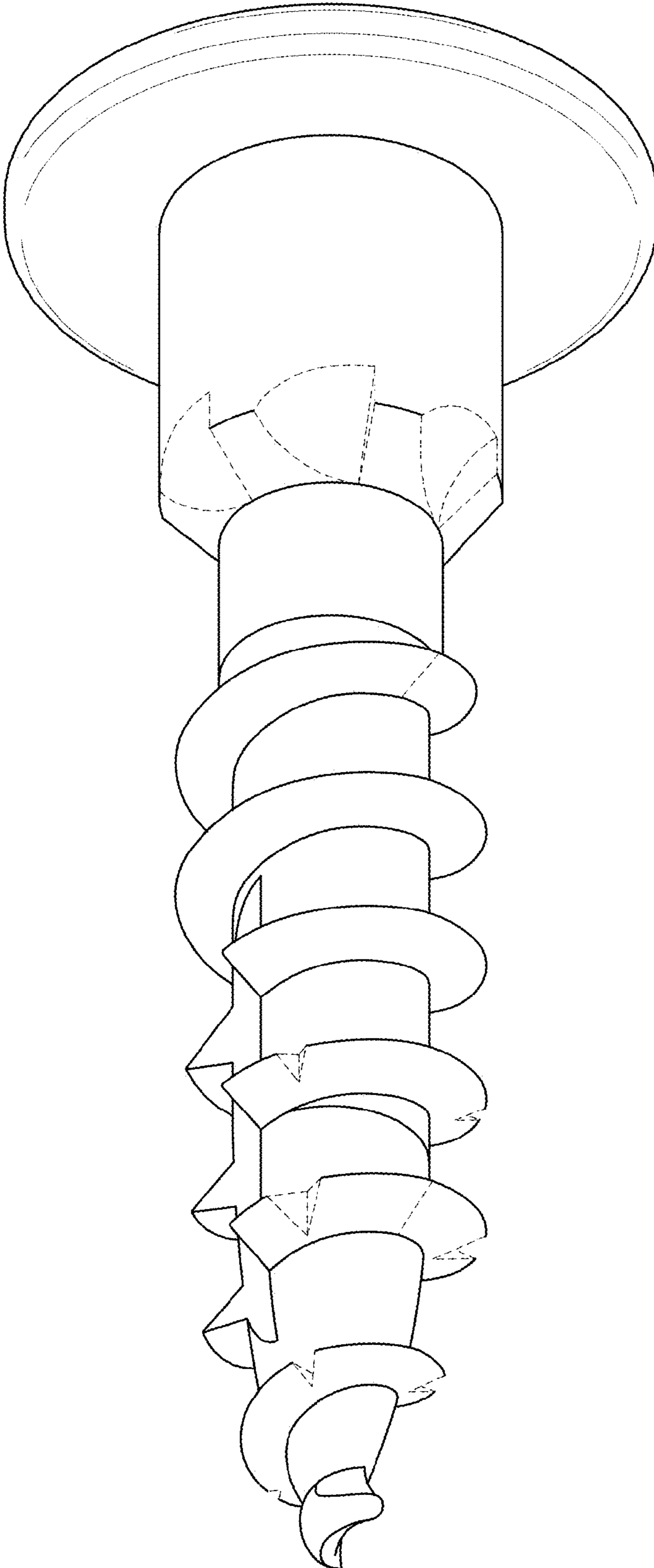


FIG. 1

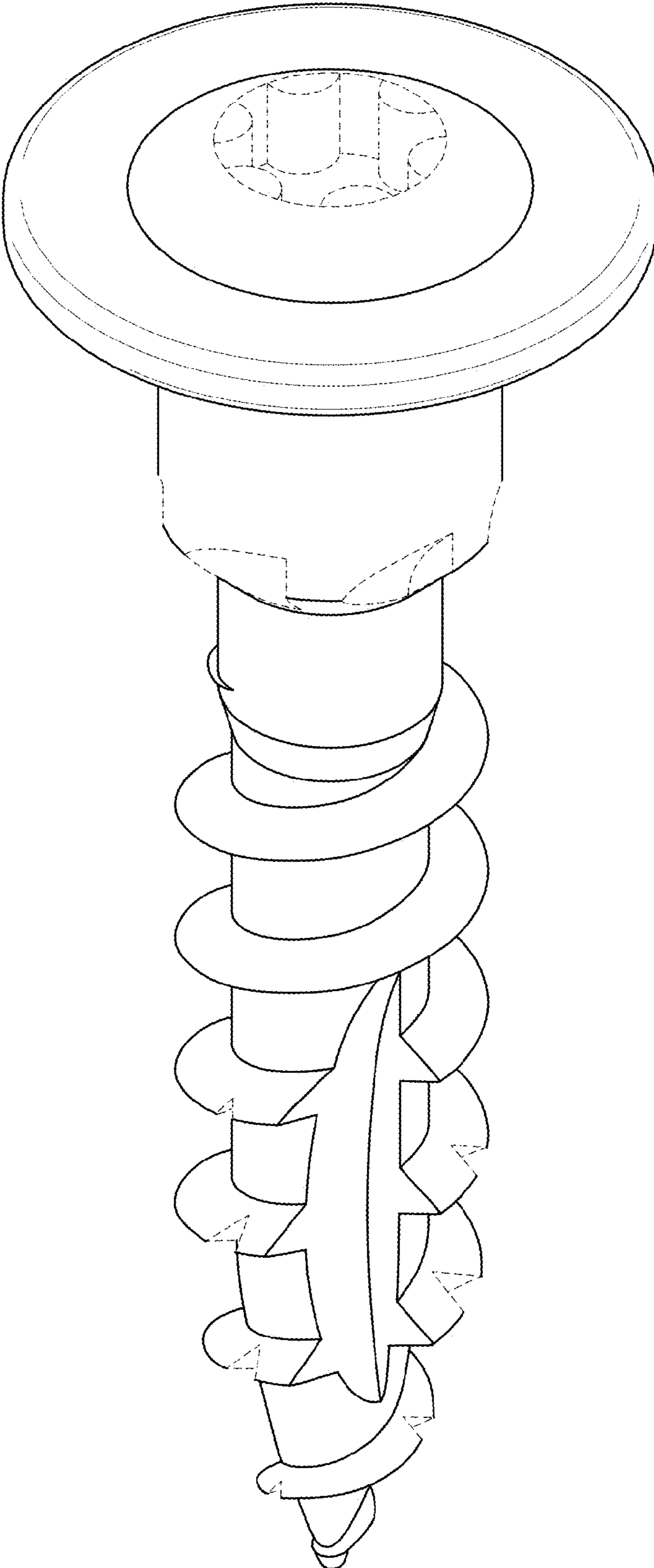


FIG. 2

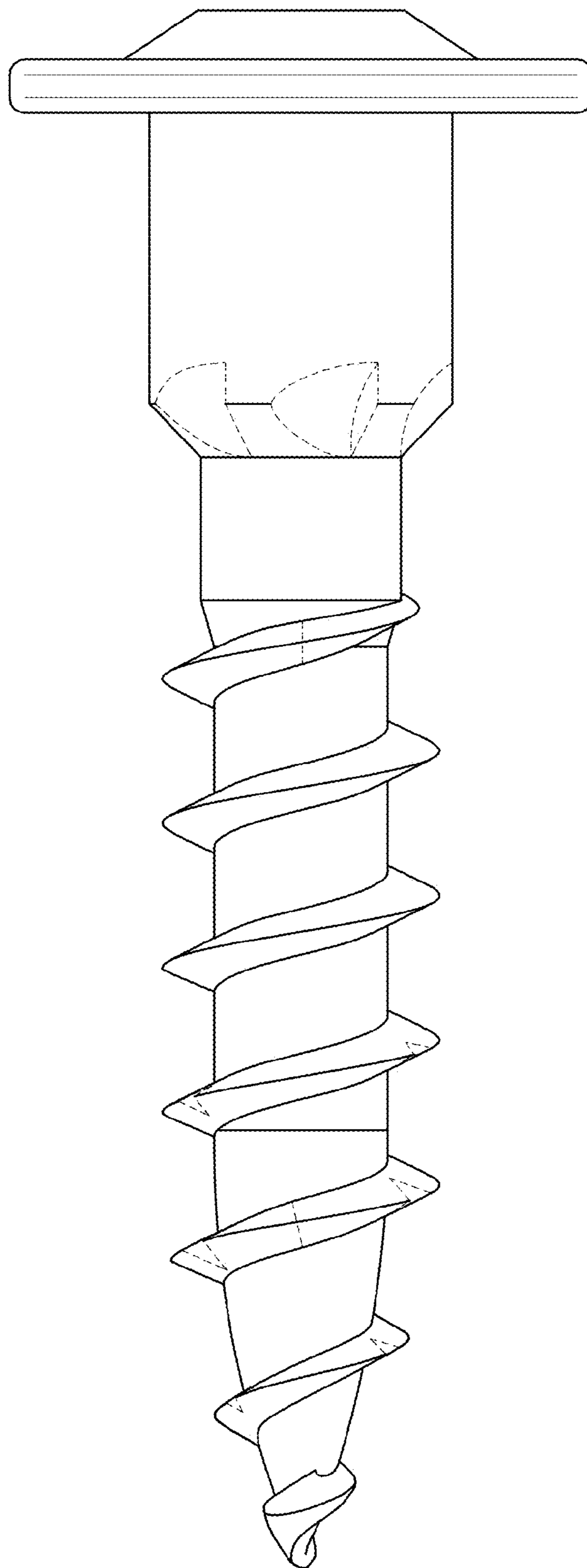


FIG. 3

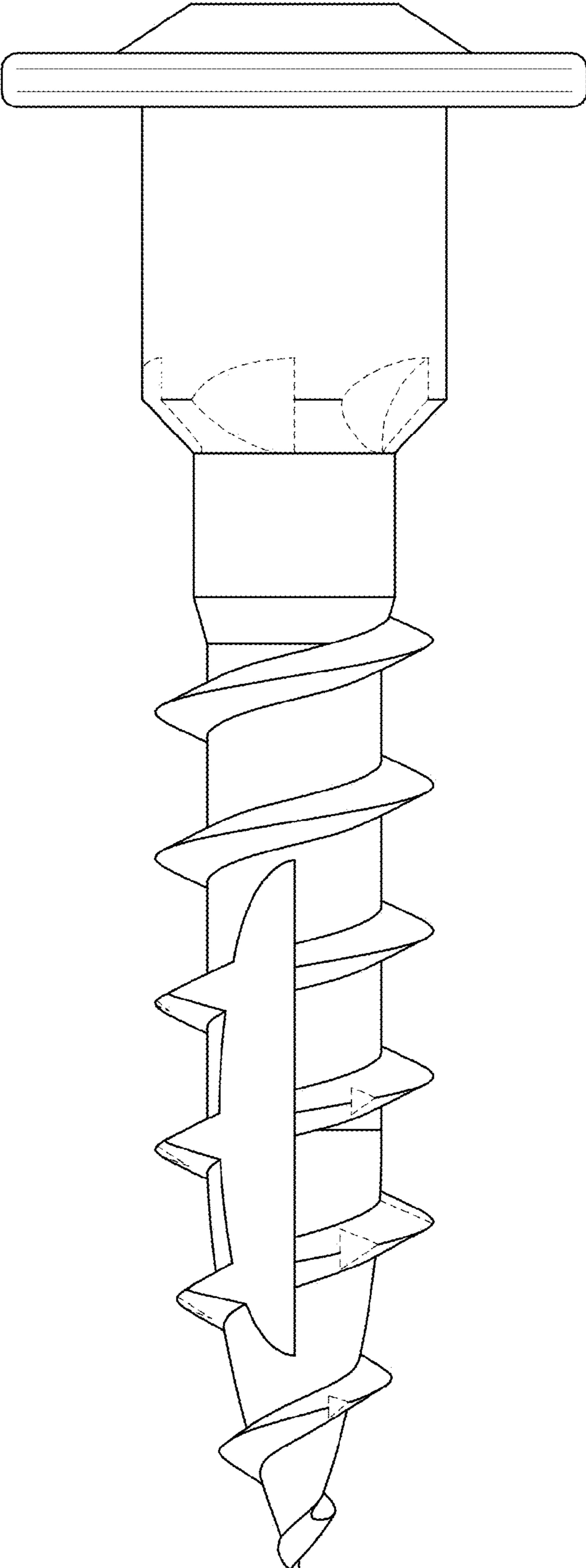


FIG. 4

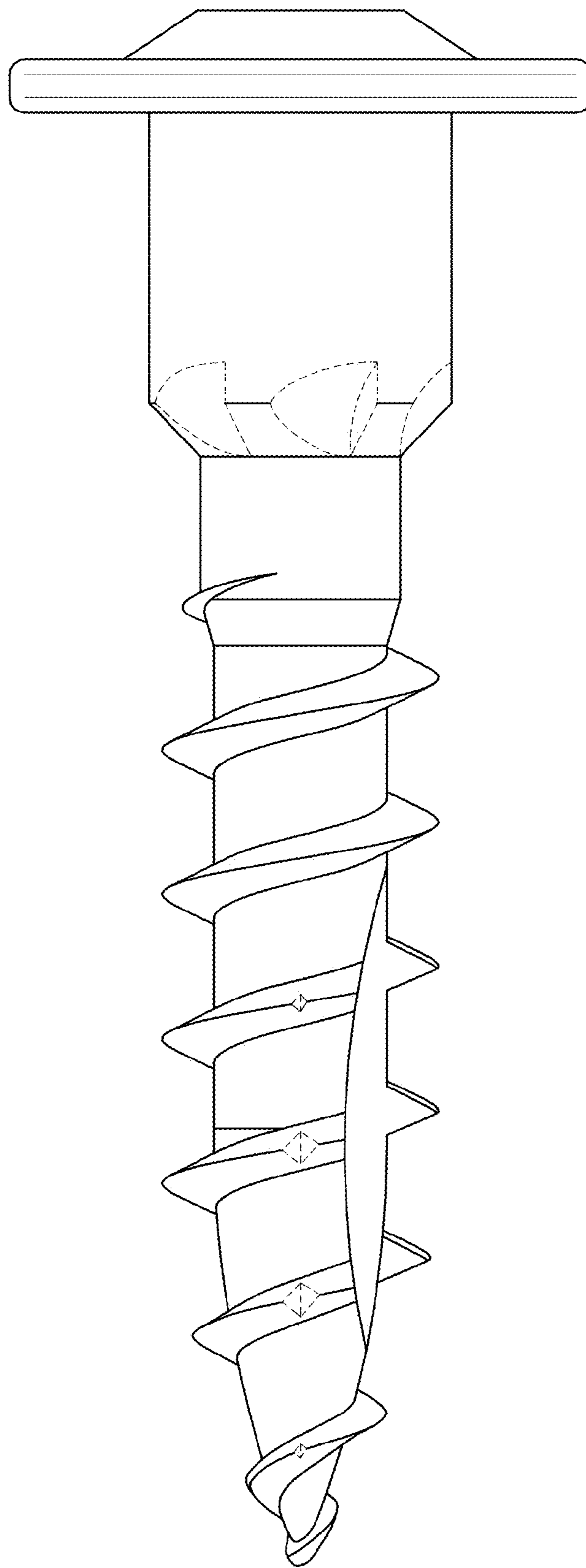


FIG. 5

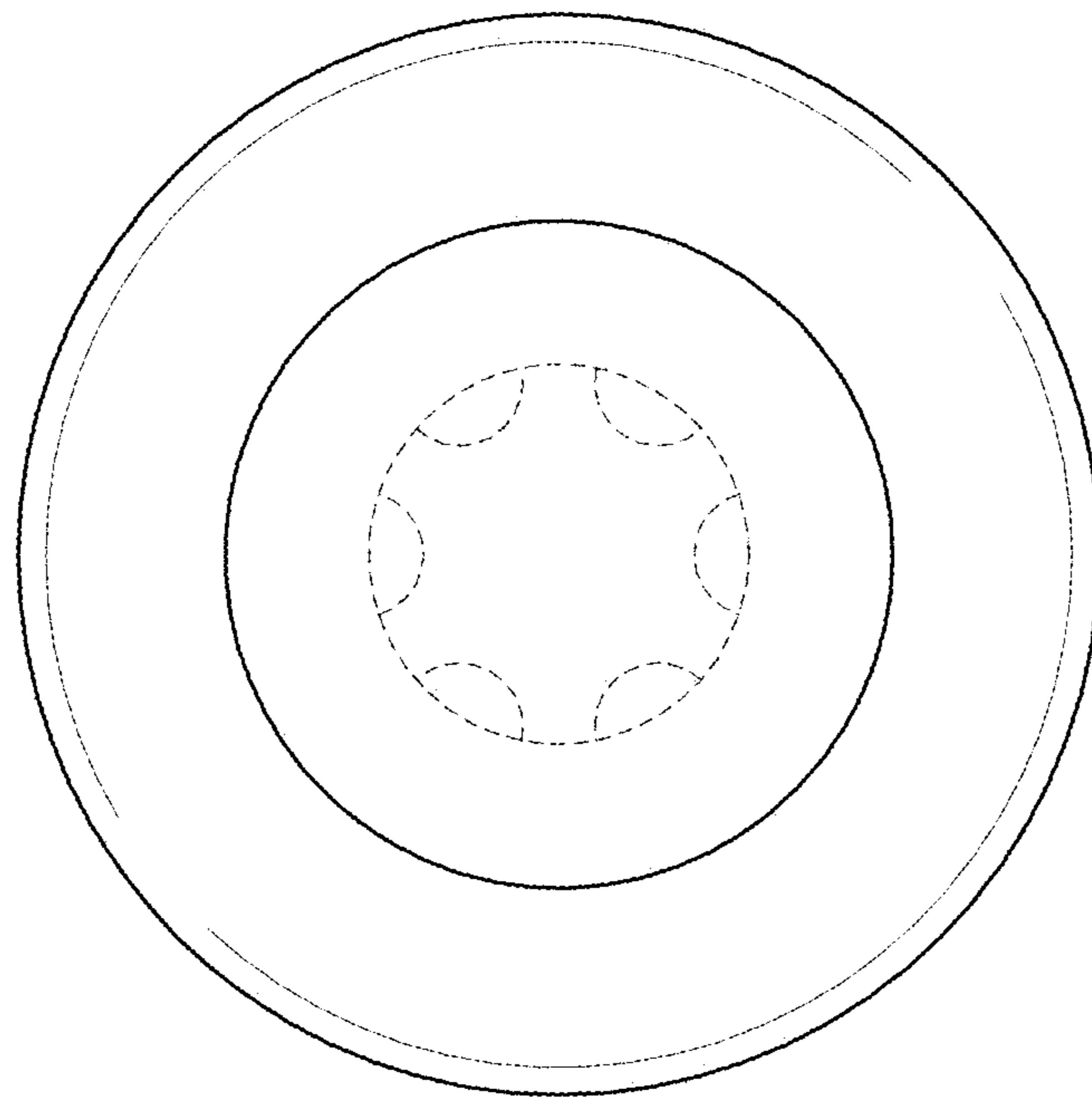


FIG. 6

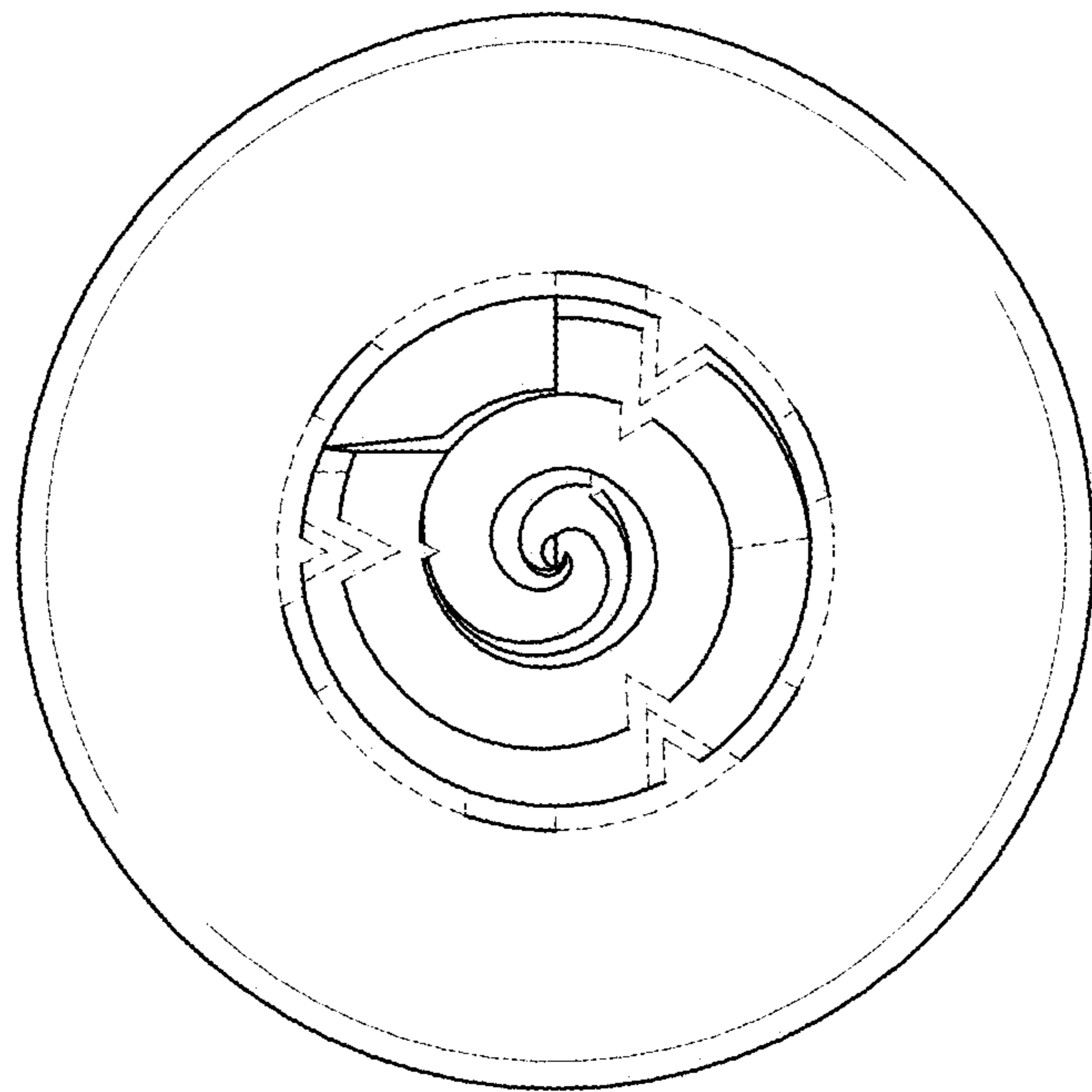


FIG. 7