



US00D895410S

(12) **United States Design Patent**  
**Heindl**

(10) **Patent No.:** **US D895,410 S**

(45) **Date of Patent:** **\*\* Sep. 8, 2020**

(54) **SHEET PILE CONNECTOR**

(71) Applicant: **Richard Heindl**, Gräfelfing (DE)

(72) Inventor: **Richard Heindl**, Gräfelfing (DE)

(\*\*) Term: **15 Years**

(21) Appl. No.: **29/696,613**

(22) Filed: **Jun. 28, 2019**

(30) **Foreign Application Priority Data**

Dec. 31, 2018 (EM) ..... 005946571-0008

(51) **LOC (12) Cl.** ..... **08-08**

(52) **U.S. Cl.**  
USPC ..... **D8/382**

(58) **Field of Classification Search**  
USPC ..... D8/382, 394, 395; D25/119  
CPC .... E02D 5/02; E02D 5/04; E02D 5/06; E02D  
5/08; E02D 5/12; Y10T 403/73  
See application file for complete search history.

(56) **References Cited**

**U.S. PATENT DOCUMENTS**

912,021 A	2/1909	Neilson	
923,110 A	5/1909	Boardman	
976,573 A	11/1910	Jones	
1,003,777 A	9/1911	Neilson	
1,003,778 A	9/1911	Neilson	
1,005,514 A	10/1911	Conkling	
1,070,833 A	8/1913	Neilson	
1,330,240 A	2/1920	Conkling	
1,431,274 A *	10/1922	Webb	E02D 5/08 405/279
3,225,407 A	12/1965	Barrymore	
D242,986 S	1/1977	Inglis	
D245,791 S *	9/1977	Copeland	D25/119
D331,007 S	11/1992	Roick	

D401,005 S	11/1998	Ludbrook	
D421,137 S	2/2000	Marshall	
6,282,762 B1 *	9/2001	Wall	E02D 5/08 24/346
6,428,244 B1	8/2002	Wall	
D465,291 S	11/2002	Marshall	
D471,083 S	3/2003	Wall	
D471,793 S	3/2003	Wall	
D471,794 S	3/2003	Wall	
D472,455 S	4/2003	Wall	
D491,281 S *	6/2004	Barnett	D25/119
D517,905 S	3/2006	Wall	
D521,365 S	5/2006	Wall	
D525,862 S *	8/2006	Wall	D8/382
D526,888 S	8/2006	Heindl	
D527,248 S	8/2006	Heindl	

(Continued)

**OTHER PUBLICATIONS**

Notice of Allowance dated Apr. 29, 2020, in connection with Design U.S. Appl. No. 29/696,611.

(Continued)

*Primary Examiner* — Sandra S Snapp

*Assistant Examiner* — Ieisha N Price

(74) *Attorney, Agent, or Firm* — Meunier Carlin & Curfman LLC

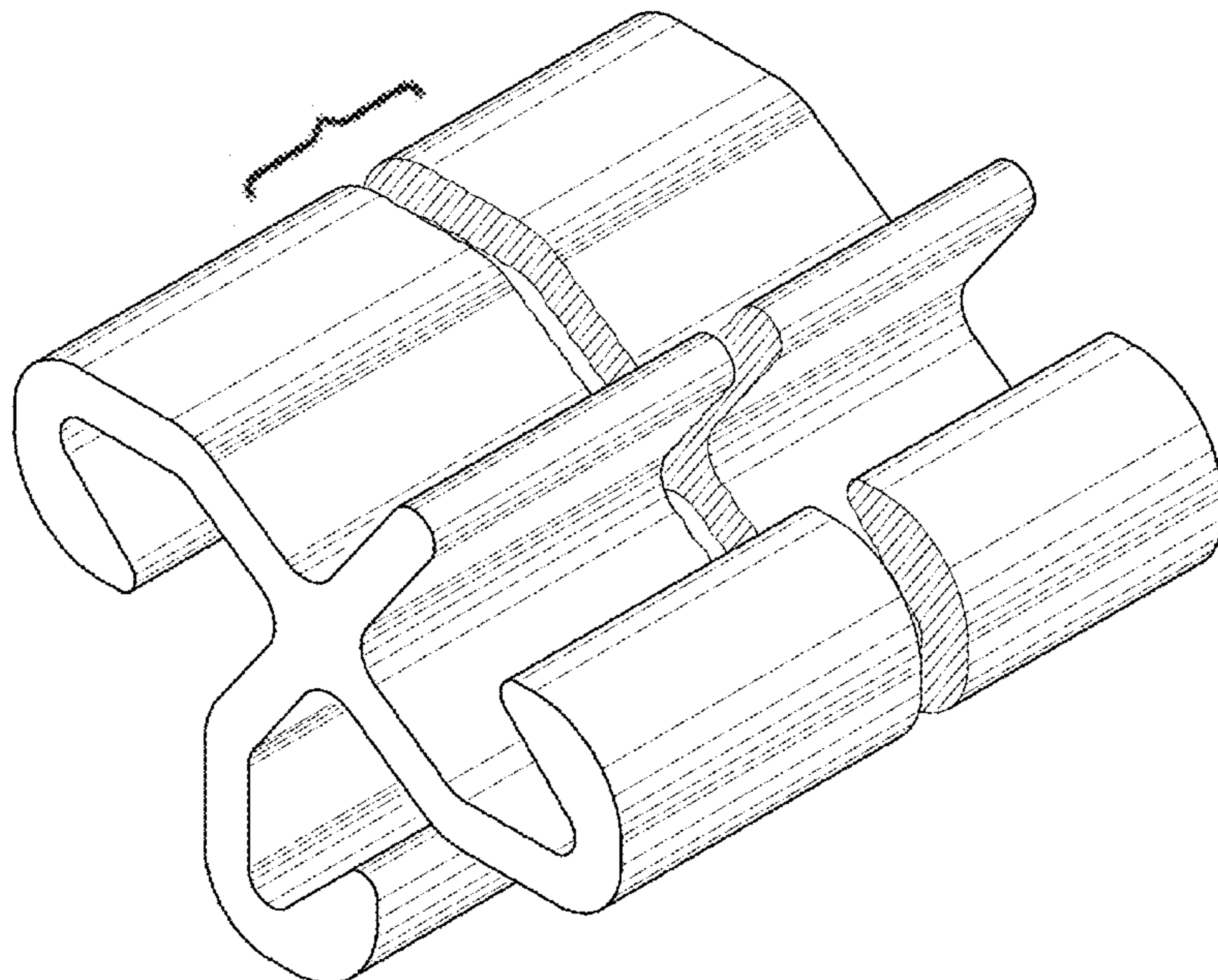
(57) **CLAIM**

The ornamental design for a sheet pile connector, as shown and described.

**DESCRIPTION**

FIG. 1 illustrates a front perspective view of my design; and, FIG. 2 illustrates a side view of the design shown in FIG. 1. The sheet pile connector is shown with a symbolic break in its length. The appearance of any portion of the article between the break lines forms no part of the claimed design.

**1 Claim, 2 Drawing Sheets**



(56)

References Cited

U.S. PATENT DOCUMENTS

D527,619 S 9/2006 Heindl  
 D530,190 S 10/2006 Wall  
 D540,660 S 4/2007 Heindl  
 D540,661 S 4/2007 Heindl  
 D541,638 S \* 5/2007 Heindl ..... D8/382  
 D541,639 S 5/2007 Heindl  
 D541,640 S 5/2007 Heindl  
 D541,641 S 5/2007 Heindl  
 D541,642 S 5/2007 Heindl  
 D542,633 S 5/2007 Heindl  
 D542,634 S 5/2007 Heindl  
 D542,635 S 5/2007 Heindl  
 D542,636 S 5/2007 Heindl  
 D542,637 S 5/2007 Heindl  
 D542,638 S 5/2007 Heindl  
 D542,639 S 5/2007 Heindl  
 D542,640 S 5/2007 Heindl  
 D542,641 S 5/2007 Heindl  
 D542,642 S \* 5/2007 Heindl ..... D8/382  
 D542,643 S 5/2007 Heindl  
 D543,097 S 5/2007 Heindl  
 D543,098 S 5/2007 Heindl  
 D543,099 S 5/2007 Heindl  
 D543,100 S 5/2007 Heindl  
 D543,101 S 5/2007 Heindl  
 D543,444 S 5/2007 Heindl  
 7,527,456 B2 5/2009 Heindl  
 D621,248 S 8/2010 Heindl  
 D623,930 S 9/2010 Austro  
 D623,931 S \* 9/2010 Austro ..... D8/382  
 D623,932 S 9/2010 Austro  
 D624,395 S 9/2010 Austro  
 D626,826 S 11/2010 Austro  
 D626,827 S 11/2010 Austro  
 D626,828 S \* 11/2010 Austro ..... D8/382  
 D640,533 S 6/2011 Austro  
 D640,534 S 6/2011 Austro  
 D649,443 S 11/2011 Heindl  
 D665,658 S 8/2012 Heindl  
 D665,660 S 8/2012 Heindl  
 D666,484 S 9/2012 Heindl  
 D681,424 S 5/2013 Heindl  
 D681,425 S 5/2013 Heindl  
 D681,426 S 5/2013 Heindl  
 D681,427 S 5/2013 Heindl  
 D681,428 S 5/2013 Heindl  
 D681,429 S 5/2013 Heindl  
 D681,431 S 5/2013 Heindl

D681,432 S \* 5/2013 Heindl ..... D8/382  
 D681,433 S 5/2013 Heindl  
 D704,769 S 5/2014 Penington  
 D721,947 S 2/2015 Wendt  
 D723,360 S 3/2015 McShane  
 D734,137 S 7/2015 McShane  
 D737,116 S 9/2015 Lussier  
 D737,673 S 9/2015 McShane  
 D782,903 S 4/2017 Heindl  
 D788,573 S 6/2017 Heindl  
 D790,330 S 6/2017 Heindl  
 D794,245 S 8/2017 Klus  
 D794,436 S 8/2017 Heindl  
 D798,134 S 9/2017 Heindl  
 D801,794 S 11/2017 Heindl  
 D807,159 S 1/2018 Heindl  
 D811,865 S 3/2018 Heindl  
 D811,866 S 3/2018 Heindl  
 D811,867 S 3/2018 Heindl  
 D820,670 S 6/2018 Heindl  
 D832,090 S 10/2018 Heindl  
 D832,091 S 10/2018 Heindl  
 D832,092 S 10/2018 Heindl  
 D832,689 S 11/2018 Heindl  
 D832,690 S 11/2018 Heindl  
 D832,691 S 11/2018 Heindl  
 D836,427 S 12/2018 Heindl  
 D847,382 S 4/2019 Seiler  
 D861,469 S 10/2019 Heindl  
 D877,605 S \* 3/2020 Zeilinger ..... D8/394  
 2008/0152435 A1 \* 6/2008 Heindl ..... E02D 5/08  
 405/274  
 2008/0219776 A1 9/2008 Heindl  
 2008/0310924 A1 12/2008 Heindl  
 2009/0191008 A1 7/2009 Heindl  
 2009/0311052 A1 \* 12/2009 Heindl ..... E02D 5/06  
 405/278  
 2012/0269583 A1 10/2012 Heindl  
 2014/0112725 A1 4/2014 Wendt  
 2015/0010366 A1 \* 1/2015 McShane ..... E02D 5/02  
 405/279  
 2018/0044874 A1 2/2018 Courtright

OTHER PUBLICATIONS

Notice of Allowance dated Apr. 29, 2020, in connection with Design U.S. Appl. No. 29/683,984.  
 Notice of Allowance dated Apr. 29, 2020, in connection with Design U.S. Appl. No. 29/690,091.

\* cited by examiner

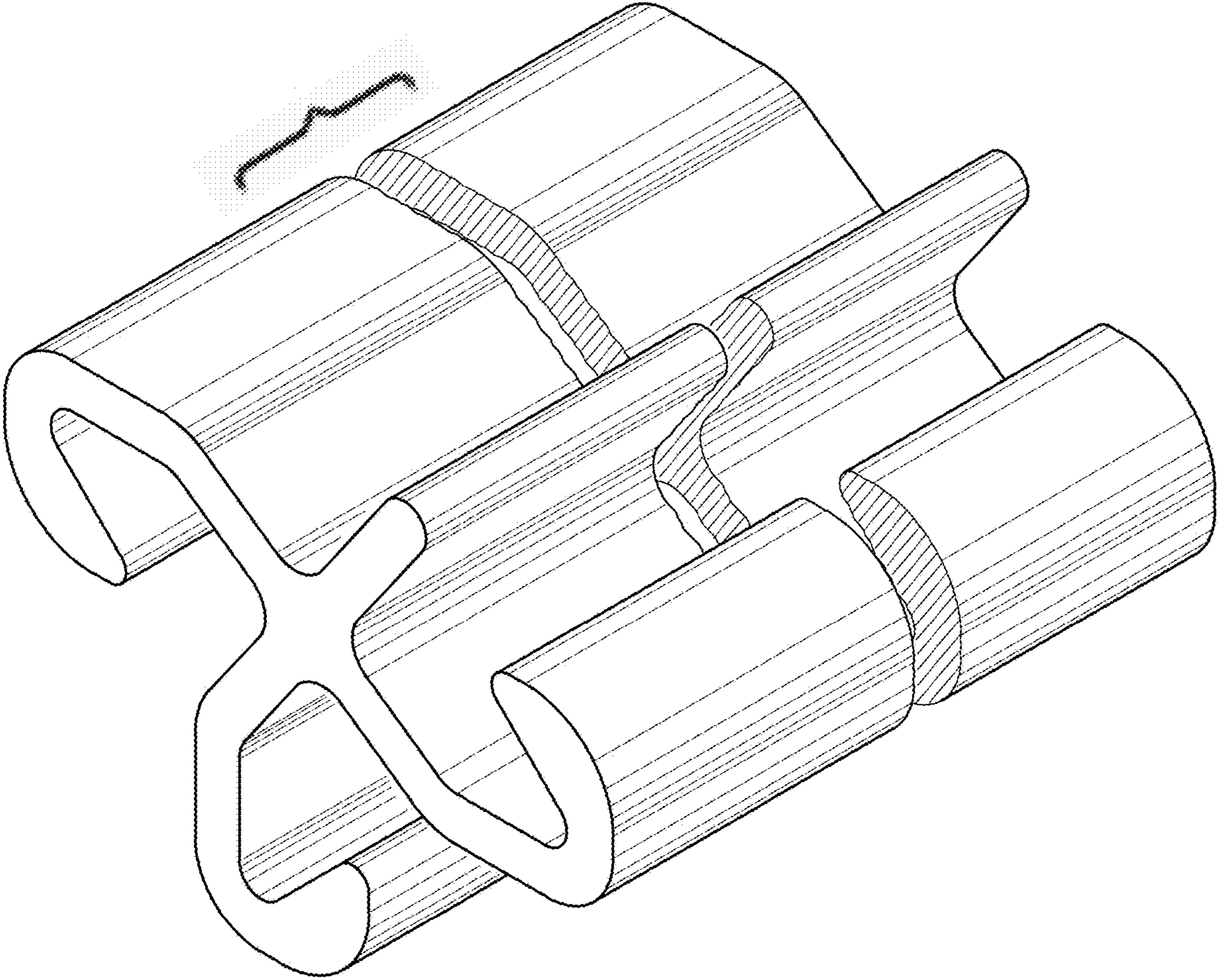


FIG. 1

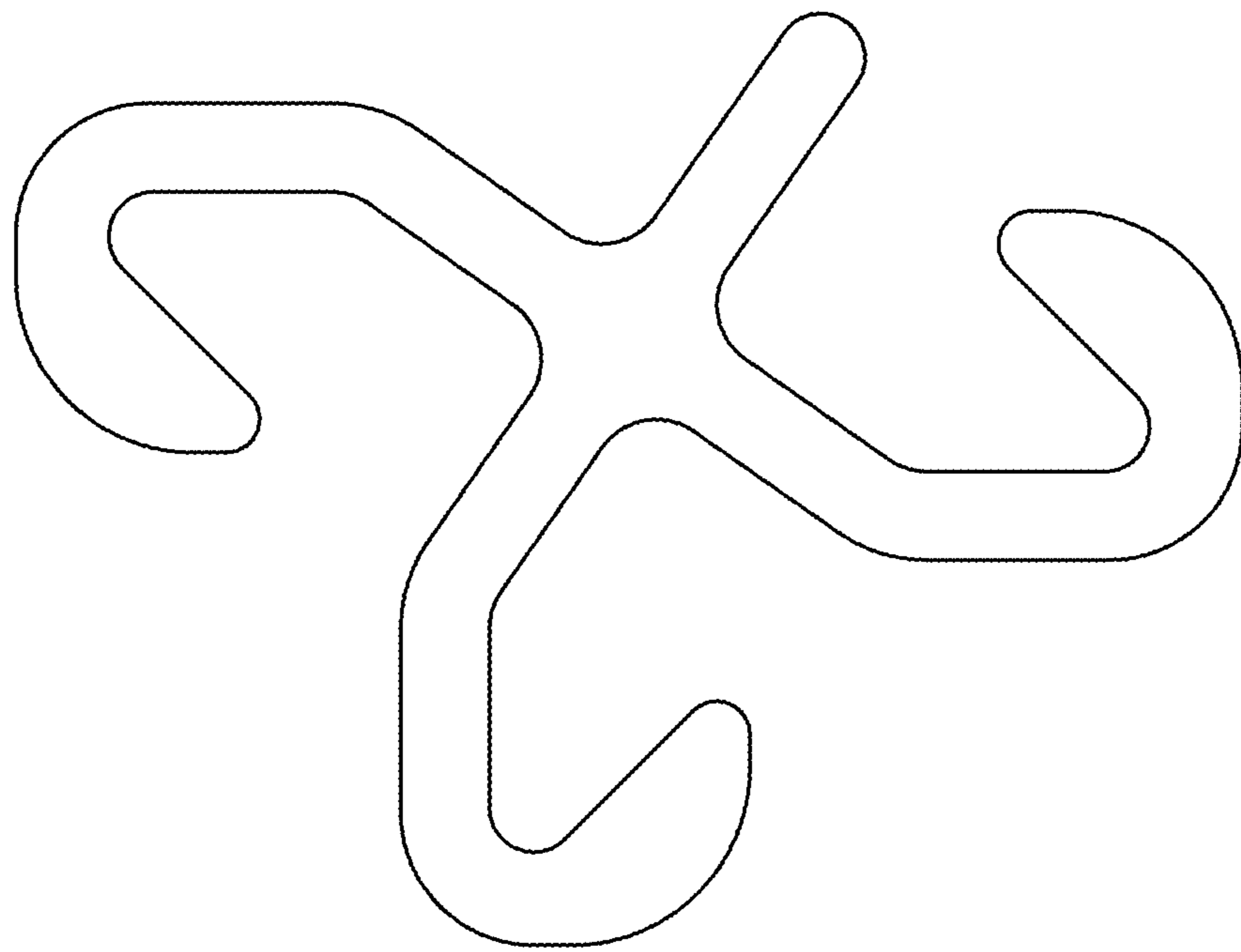


FIG. 2