



US00D895407S

(12) **United States Design Patent**
Heindl

(10) **Patent No.:** **US D895,407 S**

(45) **Date of Patent:** **** Sep. 8, 2020**

(54) **SHEET PILE CONNECTOR**
(71) Applicant: **Richard Heindl**, Gräfelfing (DE)
(72) Inventor: **Richard Heindl**, Gräfelfing (DE)

(**) Term: **15 Years**

(21) Appl. No.: **29/696,608**

(22) Filed: **Jun. 28, 2019**

(30) **Foreign Application Priority Data**

Dec. 31, 2018 (EM) 005946571-0003

(51) **LOC (12) Cl.** **08-08**

(52) **U.S. Cl.**
USPC **D8/382**

(58) **Field of Classification Search**
USPC D8/382, 394, 395; D25/119
CPC E02D 5/02; E02D 5/04; E02D 5/06; E02D
5/08; E02D 5/12; Y10T 403/73
See application file for complete search history.

(56) **References Cited**

U.S. PATENT DOCUMENTS

912,021 A	2/1909	Neilson	
923,110 A	5/1909	Boardman	
976,573 A	11/1910	Jones	
1,003,777 A	9/1911	Neilson	
1,003,778 A	9/1911	Neilson	
1,005,514 A	10/1911	Conkling	
1,070,833 A	8/1913	Neilson	
1,330,240 A	2/1920	Conkling	
1,837,787 A *	12/1931	Meiser	E02D 5/08 405/279
2,056,066 A *	9/1936	Greulich	E02D 5/08 405/281
2,581,717 A *	1/1952	Schaack	E02D 5/08 405/278
3,225,407 A	12/1965	Barrymore	

D242,986 S	1/1977	Inglis	
D245,791 S	9/1977	Copeland	
D331,007 S	11/1992	Roick	
D401,005 S	11/1998	Ludbrook	
D421,137 S	2/2000	Marshall	
6,092,346 A *	7/2000	Even	E02D 5/06 52/579
6,106,201 A *	8/2000	Bourdouxhe	E02D 5/04 405/276
6,428,244 B1	8/2002	Wall	
D465,291 S	11/2002	Marshall	
D471,083 S	3/2003	Wall	
D471,793 S	3/2003	Wall	
D471,794 S	3/2003	Wall	
D472,455 S	4/2003	Wall	
D517,905 S	3/2006	Wall	
D521,365 S	5/2006	Wall	
D526,888 S	8/2006	Heindl	

(Continued)

OTHER PUBLICATIONS

Notice of Allowance dated Apr. 29, 2020, in connection with Design U.S. Appl. No. 29/696,611.

Primary Examiner — Sandra S Snapp
Assistant Examiner — Ieisha N Price
(74) *Attorney, Agent, or Firm* — Meunier Carlin & Curfman LLC

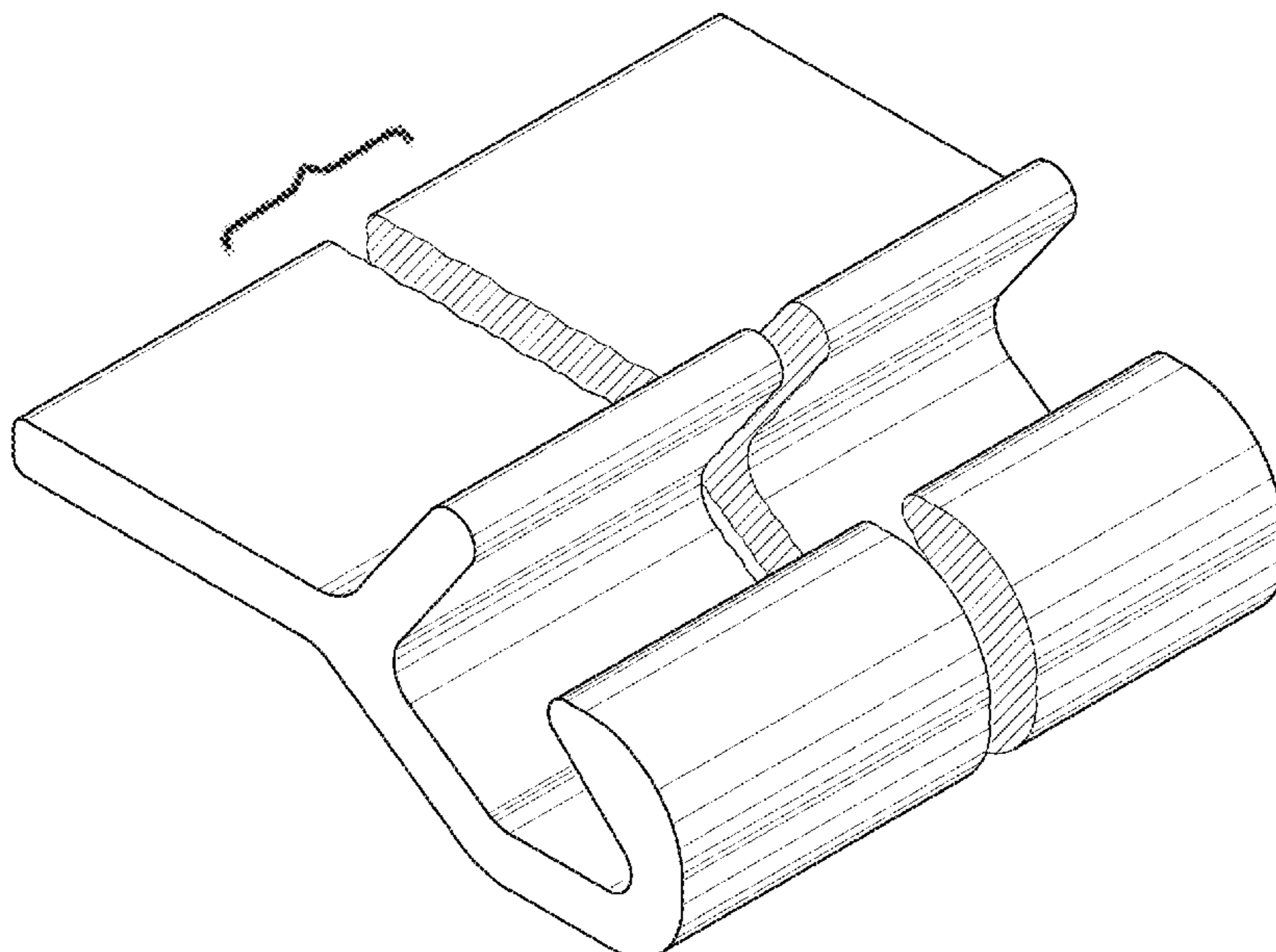
(57) **CLAIM**

The ornamental design for a sheet pile connector, as shown and described.

DESCRIPTION

FIG. 1 illustrates a front perspective view of my design. FIG. 2 illustrates a side view of the design shown in FIG. 1. The sheet pile connector is shown with a symbolic break in its length. The appearance of any portion of the article between the break lines forms no part of the claimed design.

1 Claim, 2 Drawing Sheets



(56)

References Cited

U.S. PATENT DOCUMENTS

D527,248 S	8/2006	Heindl	D681,432 S	5/2013	Heindl	
D527,619 S	9/2006	Heindl	D681,433 S	5/2013	Heindl	
D530,190 S	10/2006	Wall	D704,769 S	5/2014	Penington	
D540,660 S	4/2007	Heindl	D721,947 S	2/2015	Wendt	
D540,661 S	4/2007	Heindl	D723,360 S	3/2015	McShane	
D541,639 S	5/2007	Heindl	D723,909 S *	3/2015	McShane	D8/382
D541,640 S	5/2007	Heindl	D734,137 S	7/2015	McShane	
D541,641 S	5/2007	Heindl	D737,116 S	9/2015	Lussier	
D541,642 S	5/2007	Heindl	D737,673 S	9/2015	McShane	
D542,633 S	5/2007	Heindl	D782,903 S	4/2017	Heindl	
D542,634 S	5/2007	Heindl	D788,573 S	6/2017	Heindl	
D542,635 S	5/2007	Heindl	D790,330 S	6/2017	Heindl	
D542,636 S	5/2007	Heindl	D794,245 S	8/2017	Klus	
D542,637 S	5/2007	Heindl	D798,134 S	9/2017	Heindl	
D542,638 S	5/2007	Heindl	D801,794 S	11/2017	Heindl	
D542,639 S	5/2007	Heindl	D807,159 S	1/2018	Heindl	
D542,640 S	5/2007	Heindl	D811,865 S	3/2018	Heindl	
D542,641 S	5/2007	Heindl	D811,866 S	3/2018	Heindl	
D542,642 S *	5/2007	Heindl	D811,867 S	3/2018	Heindl	
D542,643 S	5/2007	Heindl	D820,670 S	6/2018	Heindl	
D543,097 S	5/2007	Heindl	D832,090 S	10/2018	Heindl	
D543,098 S	5/2007	Heindl	D832,091 S *	10/2018	Heindl	D8/382
D543,099 S	5/2007	Heindl	D832,092 S	10/2018	Heindl	
D543,100 S	5/2007	Heindl	D832,687 S *	11/2018	Heindl	D8/382
D543,101 S	5/2007	Heindl	D832,688 S *	11/2018	Heindl	D8/382
D543,444 S	5/2007	Heindl	D832,689 S	11/2018	Heindl	
7,527,456 B2	5/2009	Heindl	D832,690 S	11/2018	Heindl	
D621,248 S	8/2010	Heindl	D832,691 S	11/2018	Heindl	
D623,930 S	9/2010	Austro	D836,427 S	12/2018	Heindl	
D623,932 S	9/2010	Austro	D837,045 S *	1/2019	Rehhahn	D8/382
D624,395 S	9/2010	Austro	D847,382 S *	4/2019	Seiler	D25/121
D626,826 S	11/2010	Austro	D850,895 S *	6/2019	Rehhahn	D8/382
D626,827 S	11/2010	Austro	D877,605 S	3/2020	Zeilinger	
D640,533 S	6/2011	Austro	2008/0152435 A1	6/2008	Heindl	
D640,534 S	6/2011	Austro	2008/0219776 A1	9/2008	Heindl	
D649,443 S	11/2011	Heindl	2008/0310924 A1	12/2008	Heindl	
D665,658 S	8/2012	Heindl	2009/0191008 A1	7/2009	Heindl	
D665,660 S	8/2012	Heindl	2009/0311052 A1	12/2009	Heindl	
D666,484 S	9/2012	Heindl	2010/0054868 A1 *	3/2010	Heindl	E02D 5/04 405/274
D681,424 S	5/2013	Heindl	2012/0269583 A1	10/2012	Heindl	
D681,425 S	5/2013	Heindl	2014/0017016 A1 *	1/2014	Heindl	E02D 5/06 405/278
D681,426 S	5/2013	Heindl	2014/0112725 A1	4/2014	Wendt	
D681,427 S	5/2013	Heindl	2015/0010366 A1	1/2015	McShane et al.	
D681,428 S	5/2013	Heindl	2018/0044874 A1	2/2018	Courtright	
D681,431 S	5/2013	Heindl				

* cited by examiner

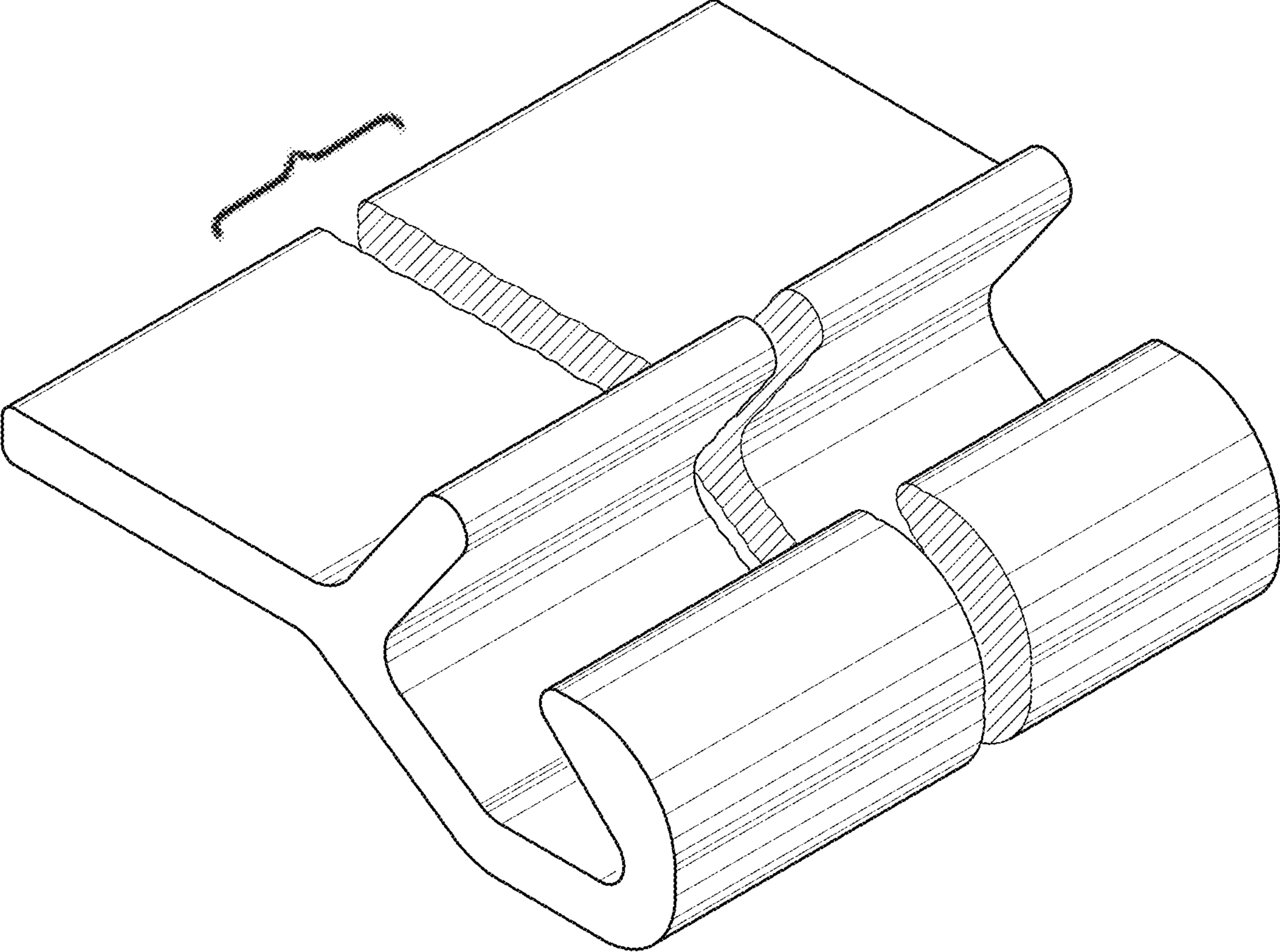


FIG. 1

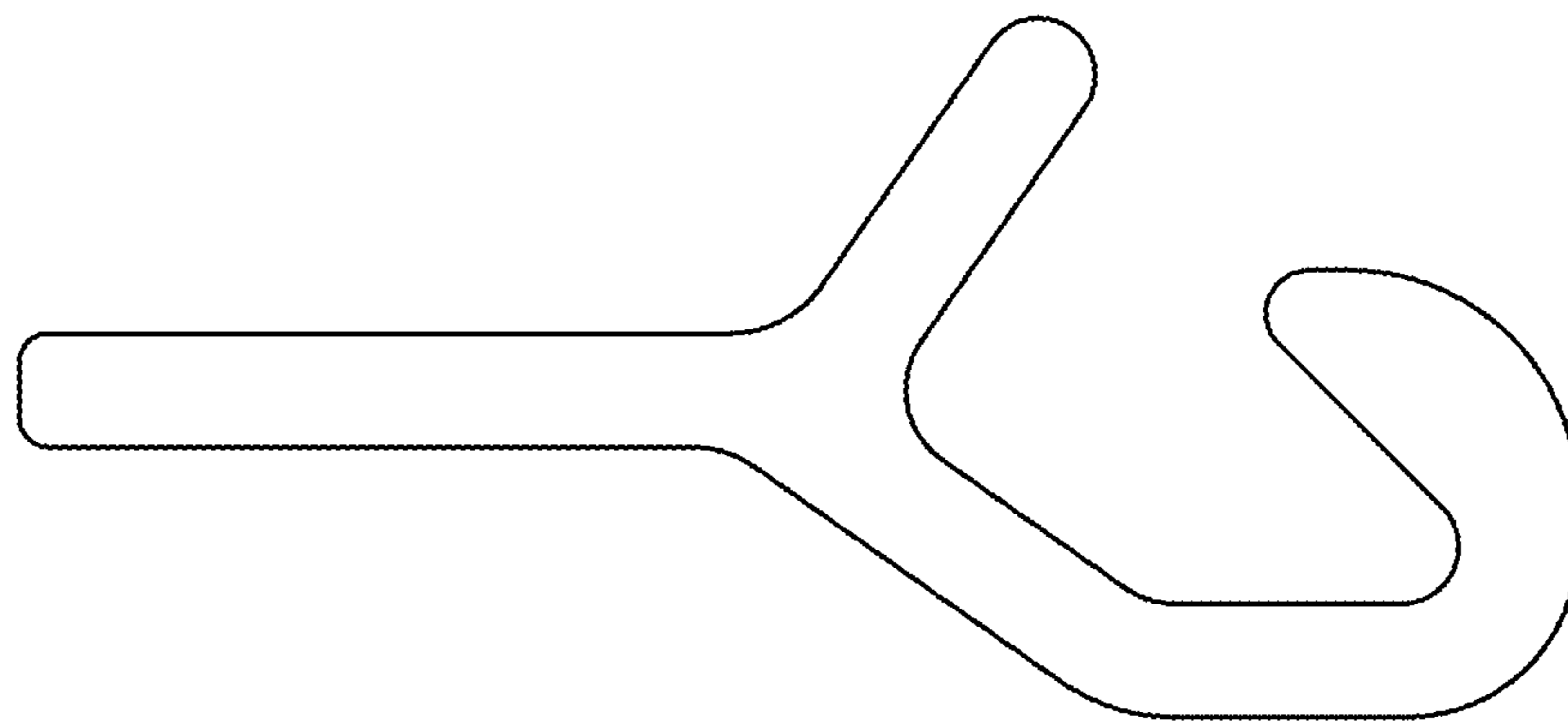


FIG. 2